

US00D960608S

(12) **United States Design Patent** (10) **Patent No.:** **US D960,608 S**
Xue (45) **Date of Patent:** **** Aug. 16, 2022**

(54) **FLOWER-SHAPED THROW PILLOW**

FOREIGN PATENT DOCUMENTS

(71) Applicant: **Zhansheng Xue**, Qingdao (CN)
(72) Inventor: **Zhansheng Xue**, Qingdao (CN)
(**) Term: **15 Years**

CN 301698894 * 10/2011
CN 304512298 * 2/2018
CN 304645518 * 5/2018
CN 304645519 * 5/2018

(Continued)

(21) Appl. No.: **29/795,941**

OTHER PUBLICATIONS

(22) Filed: **Jun. 22, 2021**
(51) **LOC (13) Cl.** **06-09**
(52) **U.S. Cl.**
USPC **D6/600**
(58) **Field of Classification Search**
USPC D6/595, 596, 597, 601, 604, 605, 611
CPC A47G 9/10; A47G 9/1018; A47G 9/1027;
A47G 9/1036; A47G 9/1045; A47G
9/1072; A47G 9/0253; A47G 9/1054;
A47G 9/1063; A47G 9/1081; A47G 9/109
See application file for complete search history.

JWH Handmade 3D Flower Throw Pillow, best/earliest review date available:Jul. 29, 2020, [online], [site visited Apr. 22, 2022]. Available from Internet, <URL:https://www.amazon.com/JWH-Handmade-Cushion-Decorative-Pillowcase/product-reviews/B07QHTKRY8/ref=cm_cr_getr_d_paging_btm_prev_4?ie=UTF8&reviewerType=all_reviews&mediaType=media_reviews_only&pageNumber=4&sortBy=recent> (Year: 2020).*

(Continued)

Primary Examiner — Sanjeev Paul

(56) **References Cited**

(57) **CLAIM**

U.S. PATENT DOCUMENTS

The ornamental design for a flower-shaped throw pillow, as shown and described.

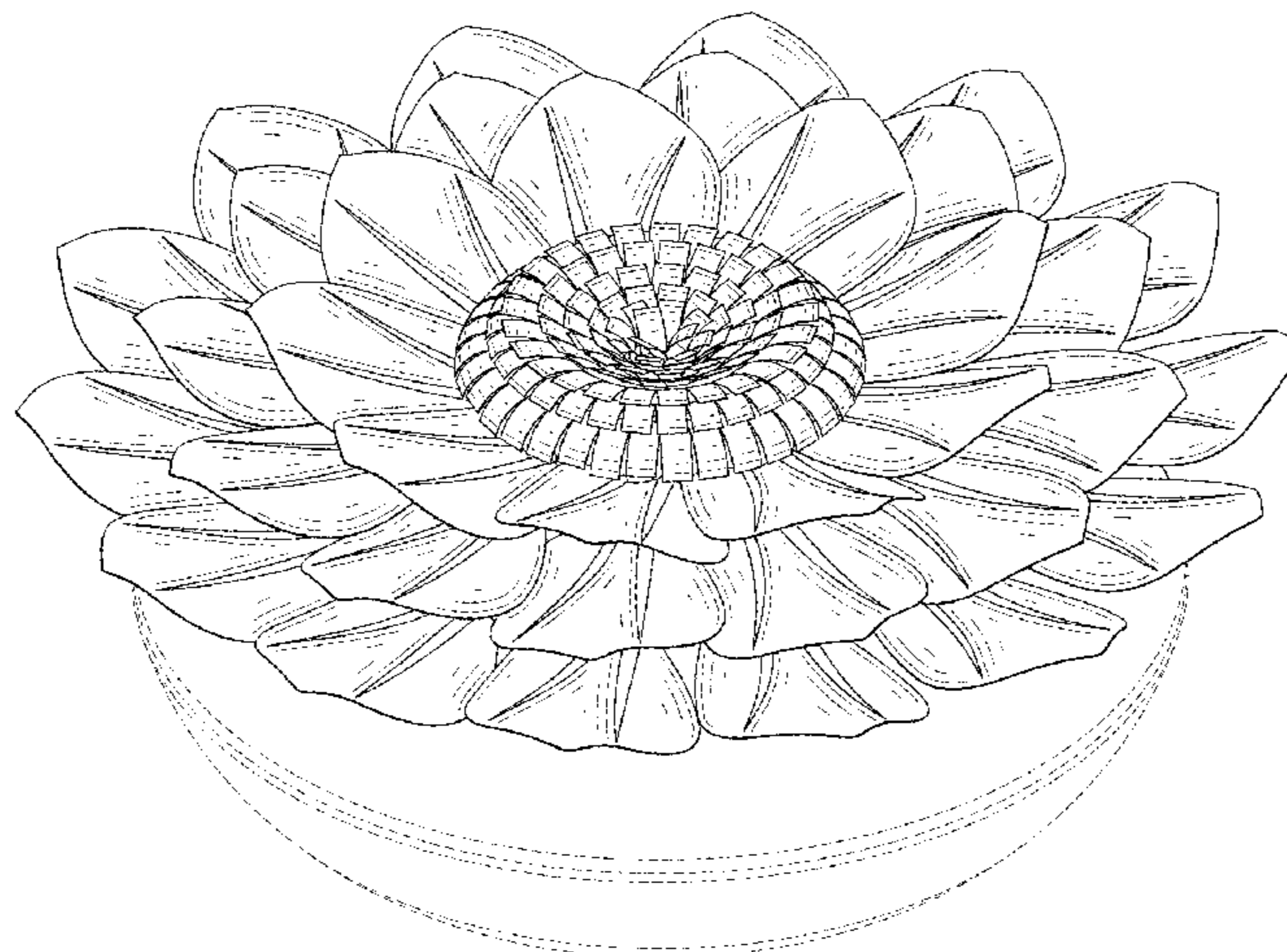
3,290,704 A * 12/1966 Willis A47G 9/10
156/169
D228,338 S * 9/1973 O'Neil D6/583
D324,657 S * 3/1992 Geschwender D10/101
D366,176 S * 1/1996 Gish D6/601
D397,575 S * 9/1998 Miller D6/601
5,839,138 A * 11/1998 Weidman A47G 9/10
5/636
D492,581 S * 7/2004 Fahy D8/378
6,859,964 B1 * 3/2005 Arnott A47G 9/10
5/636
D510,400 S * 10/2005 Rockstad D6/601
D533,006 S * 12/2006 Boutin D21/628
D539,375 S * 3/2007 Peterson D21/803
D542,585 S * 5/2007 Justice D6/601
D569,301 S * 5/2008 Fotherby D26/101
D603,926 S * 11/2009 Merker D21/803
8,225,441 B2 * 7/2012 Heroux A47G 9/10
5/655.4
D689,171 S * 9/2013 Morelock D32/57
D712,681 S * 9/2014 Del Russo, Jr. D6/600
D789,026 S * 6/2017 Graham D1/115

DESCRIPTION

FIG. 1 is a front and top perspective view of a flower-shaped throw pillow, showing my new design;
FIG. 2 is a rear and bottom perspective view thereof;
FIG. 3 is a front elevation view thereof;
FIG. 4 is a rear elevation view thereof;
FIG. 5 is a left side elevation view thereof;
FIG. 6 is a right side elevation view thereof;
FIG. 7 is a top plan view thereof; and,
FIG. 8 is a bottom plan view thereof.
The broken lines in the figures illustrate portions of the flower-shaped throw pillow that form no part of the claimed design.

(Continued)

1 Claim, 8 Drawing Sheets



(56)

References Cited

U.S. PATENT DOCUMENTS

D817,662 S * 5/2018 Stepanov D6/583
D835,381 S * 12/2018 Allio D1/115
D845,891 S * 4/2019 Dayalan D13/107
D856,710 S * 8/2019 Ng D6/601
D859,889 S * 9/2019 Ng D6/601
D859,890 S * 9/2019 Ng D6/601
D881,608 S * 4/2020 Fu D6/601
D898,418 S * 10/2020 Fu D6/600
D899,137 S * 10/2020 Pond D6/597
D899,811 S * 10/2020 Fu D6/600
D935,224 S * 11/2021 Wang D6/601
2011/0225735 A1 * 9/2011 Heroux A47G 9/10
5/640
2015/0025606 A1 * 1/2015 Davis A47G 9/1036
607/104

FOREIGN PATENT DOCUMENTS

CN 305961743 * 8/2020
KR 3020100001109 * 8/2010

OTHER PUBLICATIONS

Google Term Search “Flower Pillow” [site visited Apr. 22, 2022]. Available from Internet, <URL:https://www.google.com/search?q=flower+pillow&sxsrf=APq-WBuElrwAtrcuQ2UUxVUyBn-3b7JdMUw:1650681006678&source=lnms&tbm=isch&sa=X&ved=2ahUKEwjSi6n4kan3AhVCoHIEHYSMC3QQ_AUoAnoECAEQBA&biw=1200&bih=1777&dpr=1#imgrc=ZwaSqCpoUAiOzM> (Year: 2022).*

* cited by examiner

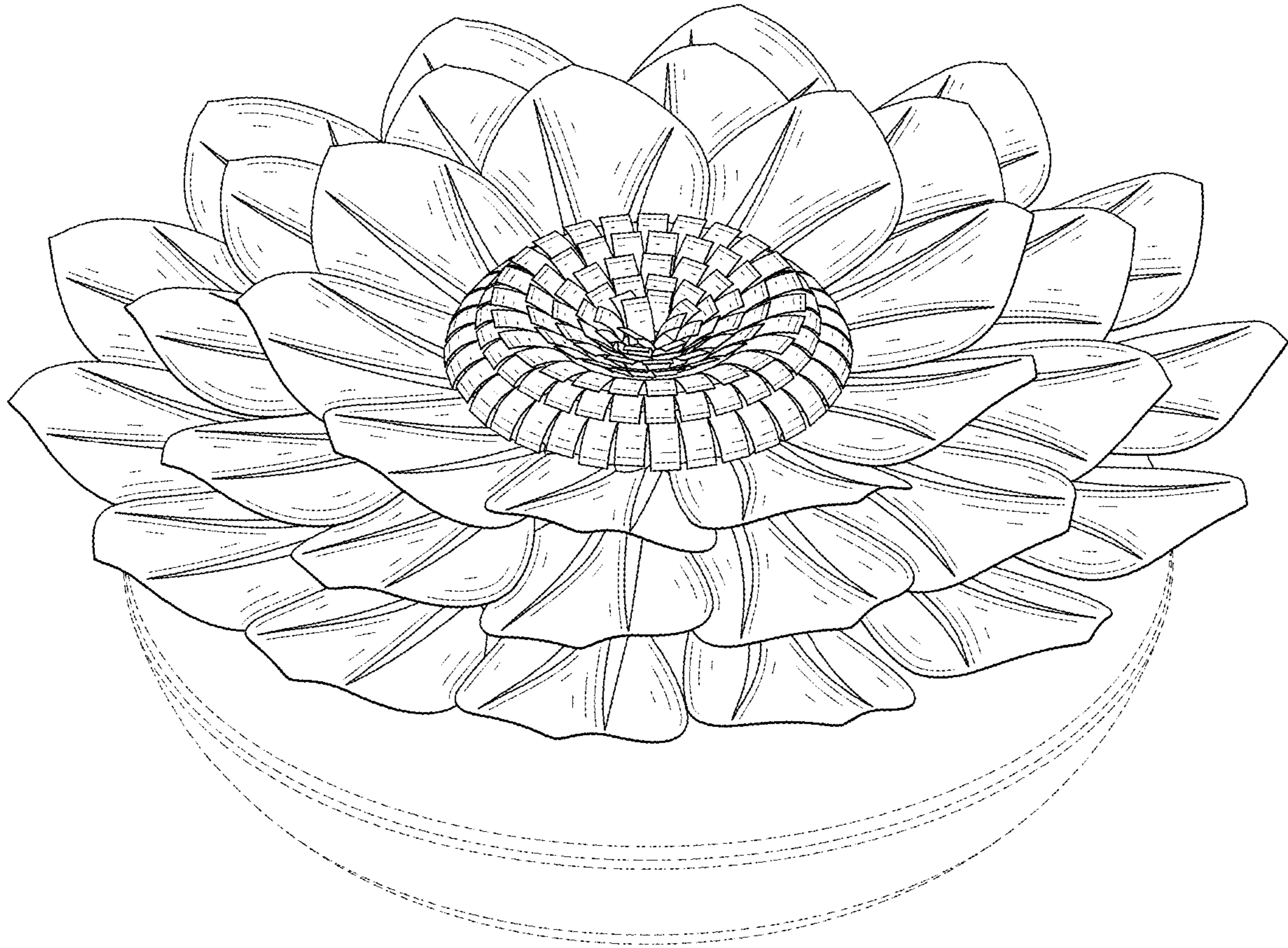


FIG. 1

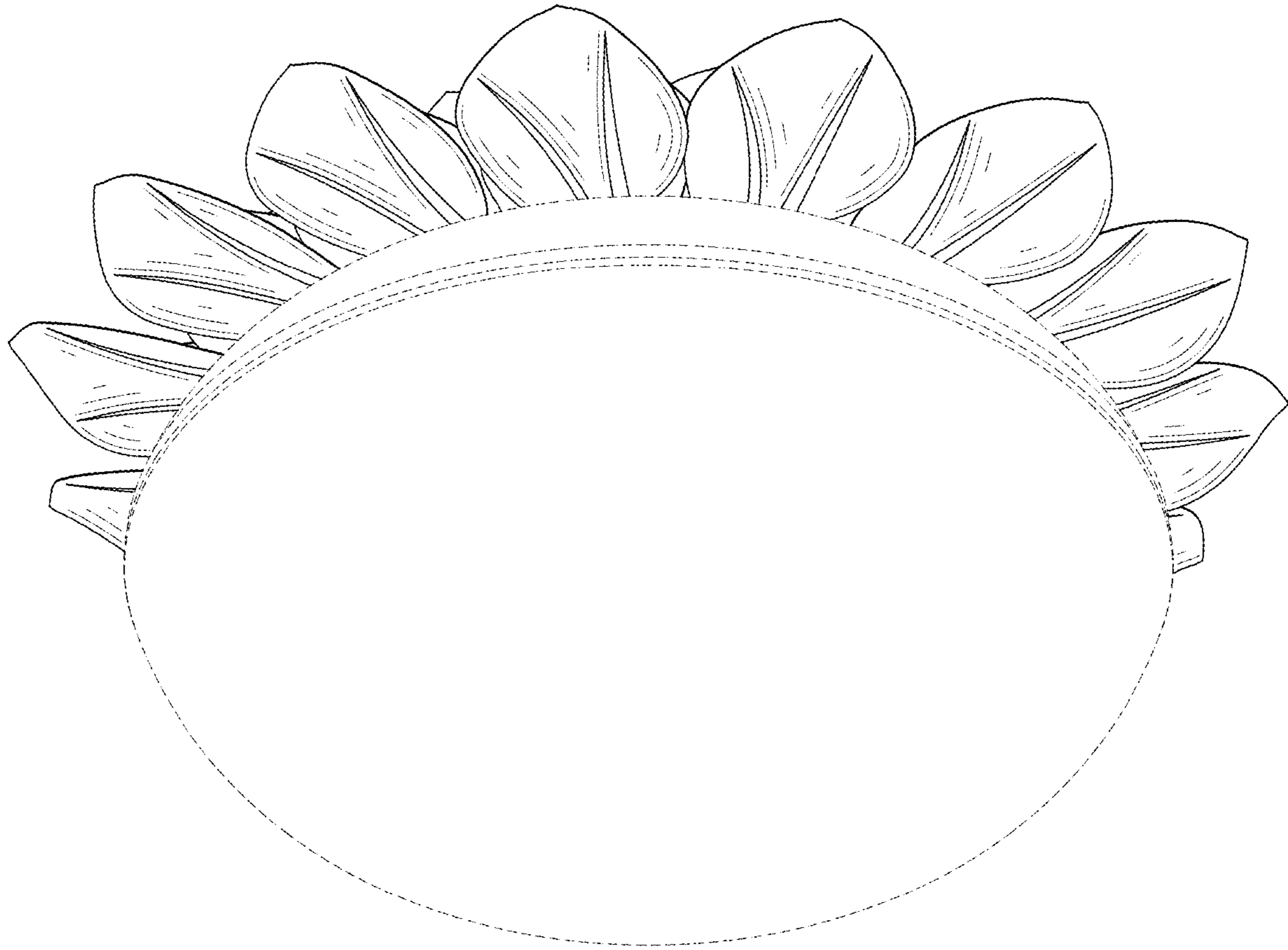


FIG. 2

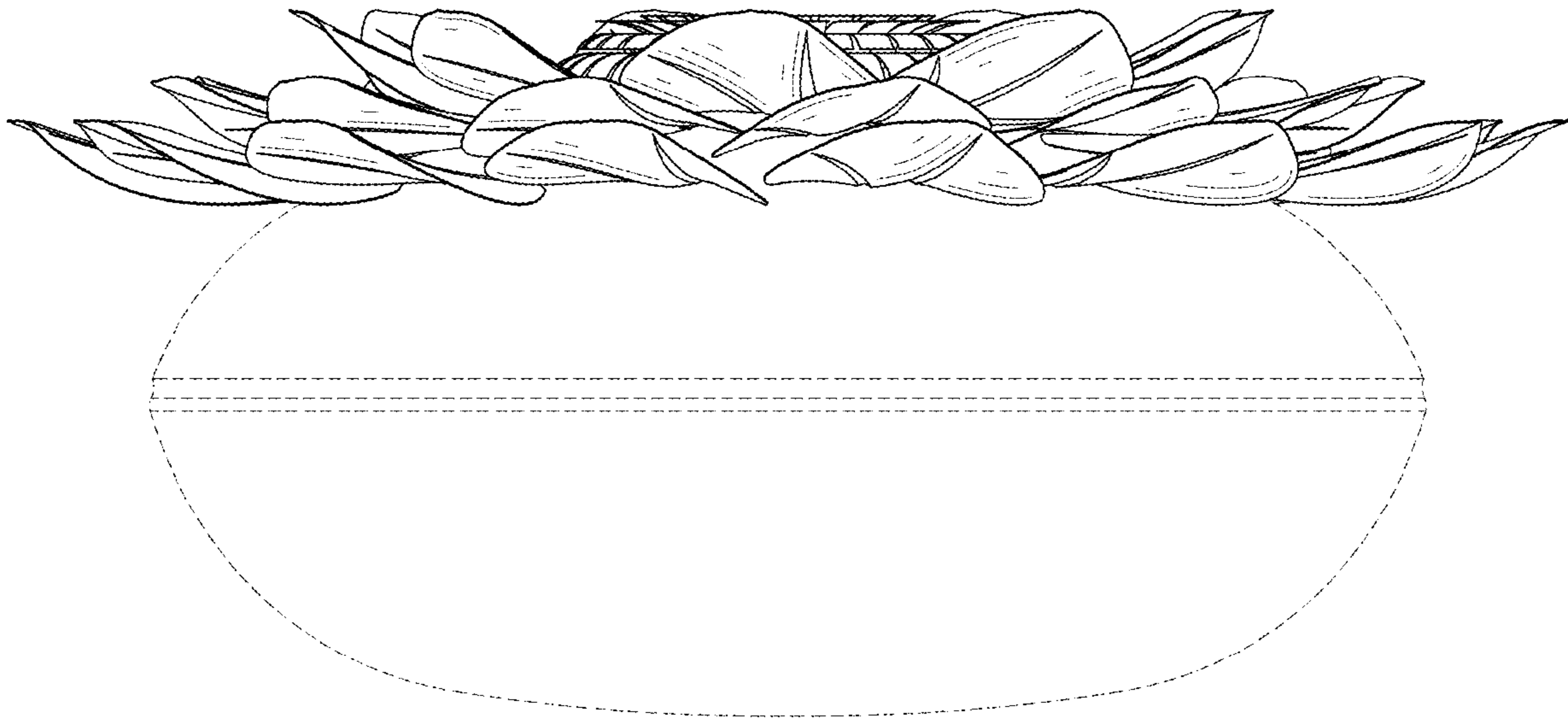


FIG. 3

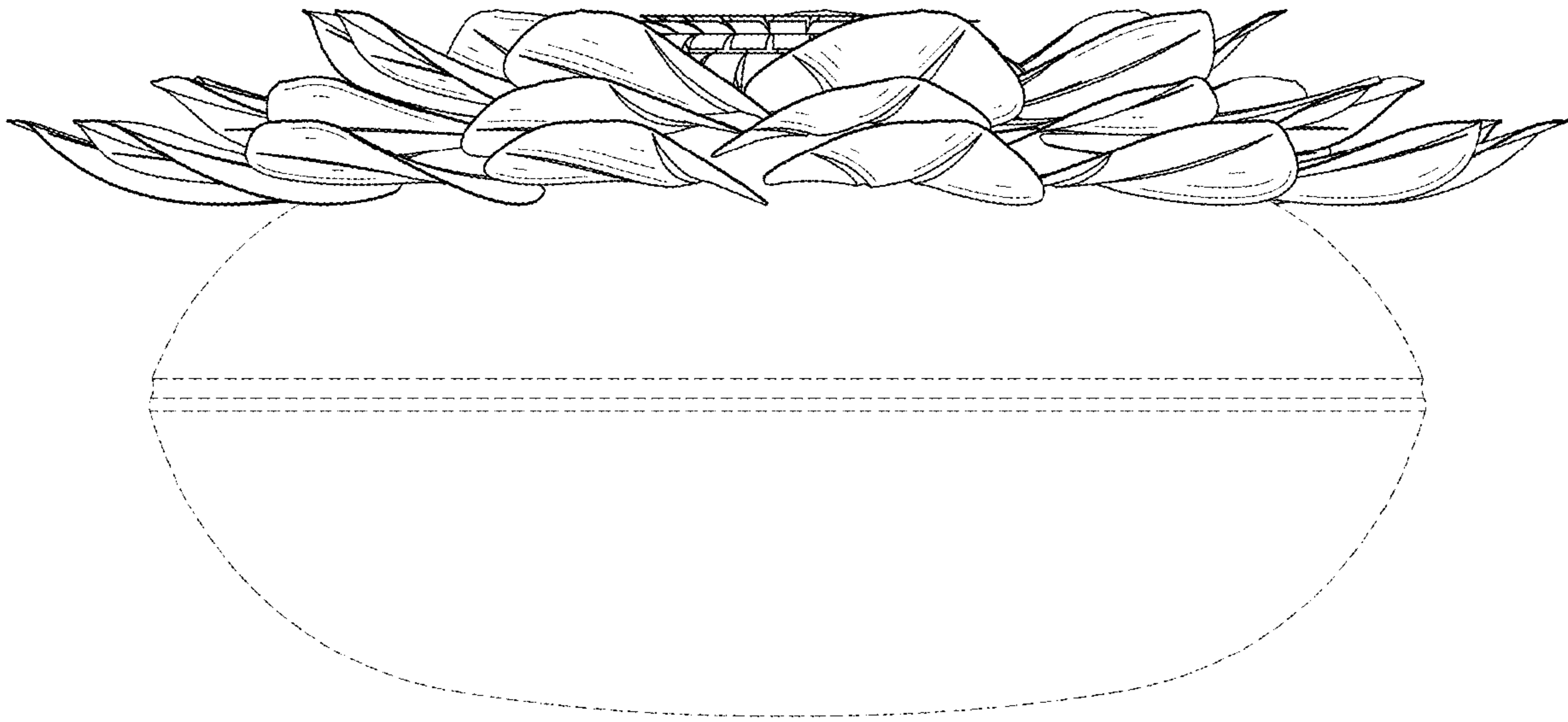


FIG. 4

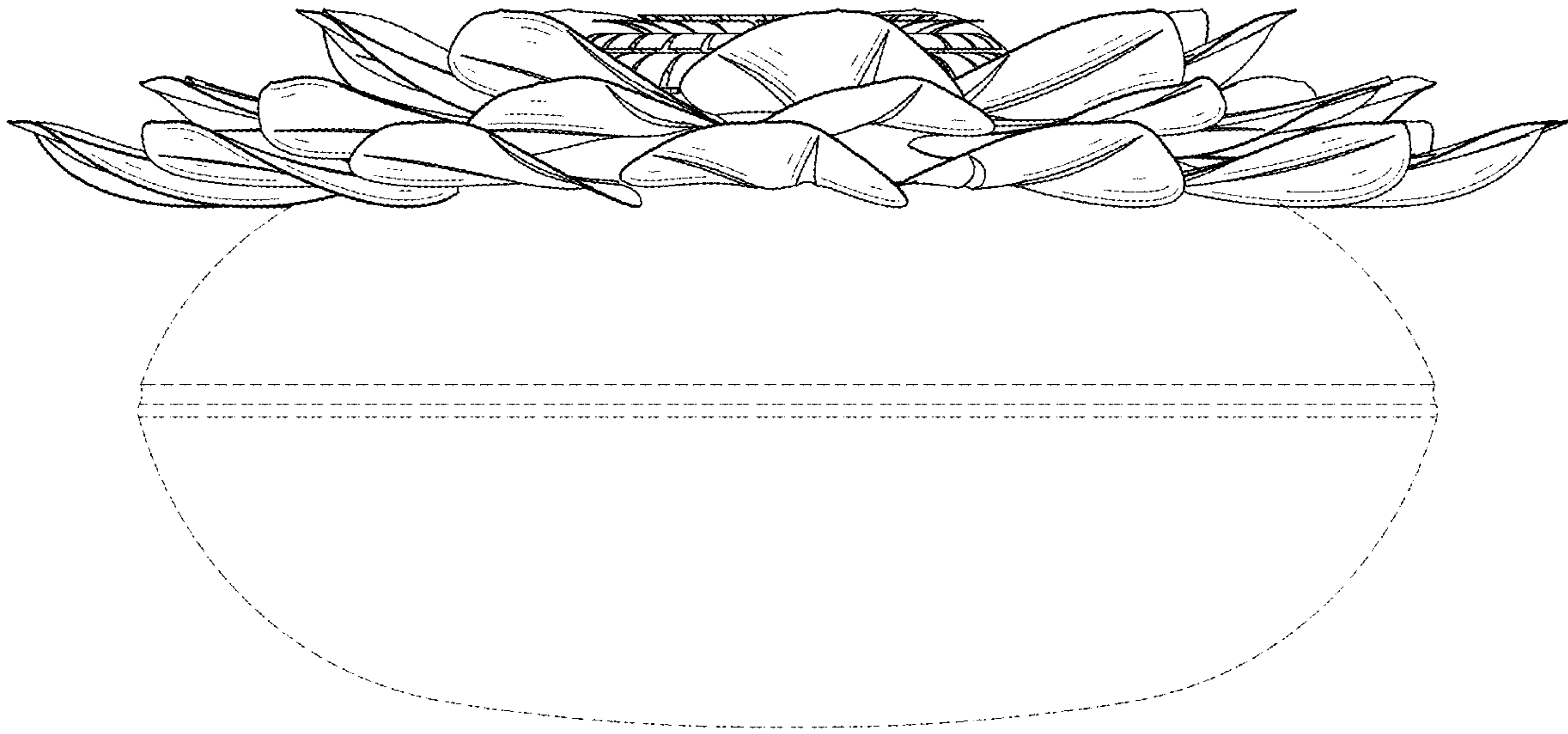


FIG. 5

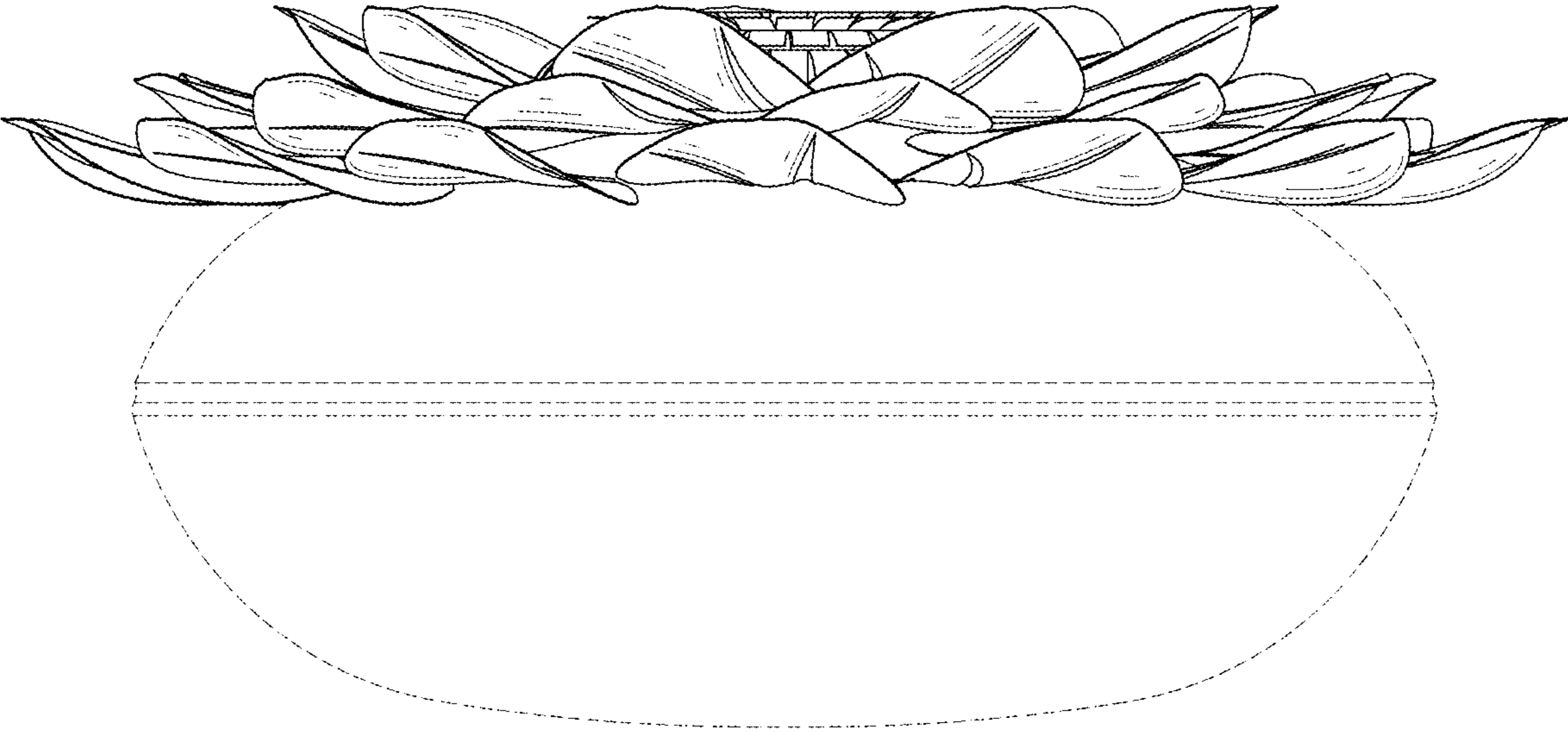


FIG. 6

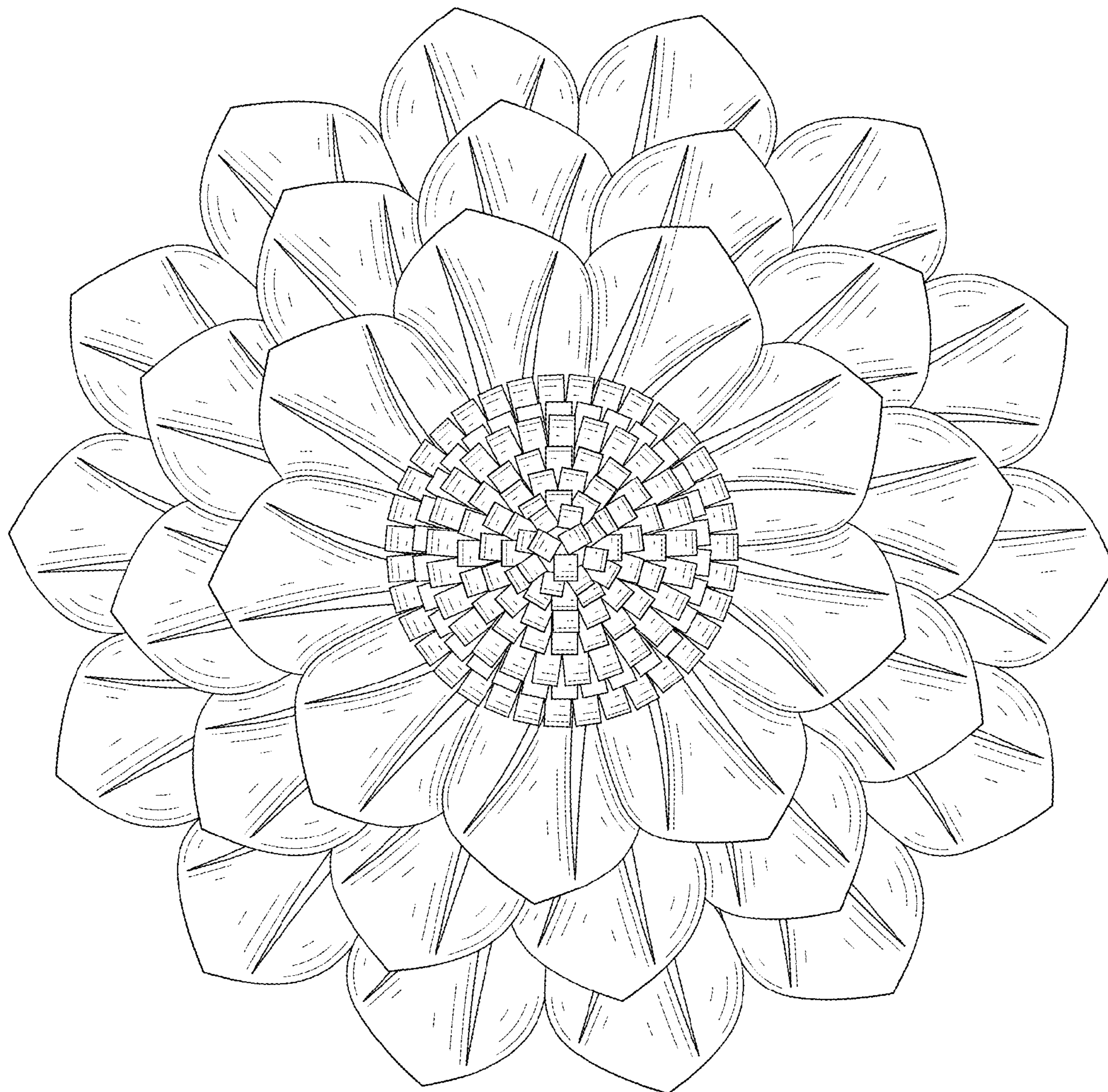


FIG. 7

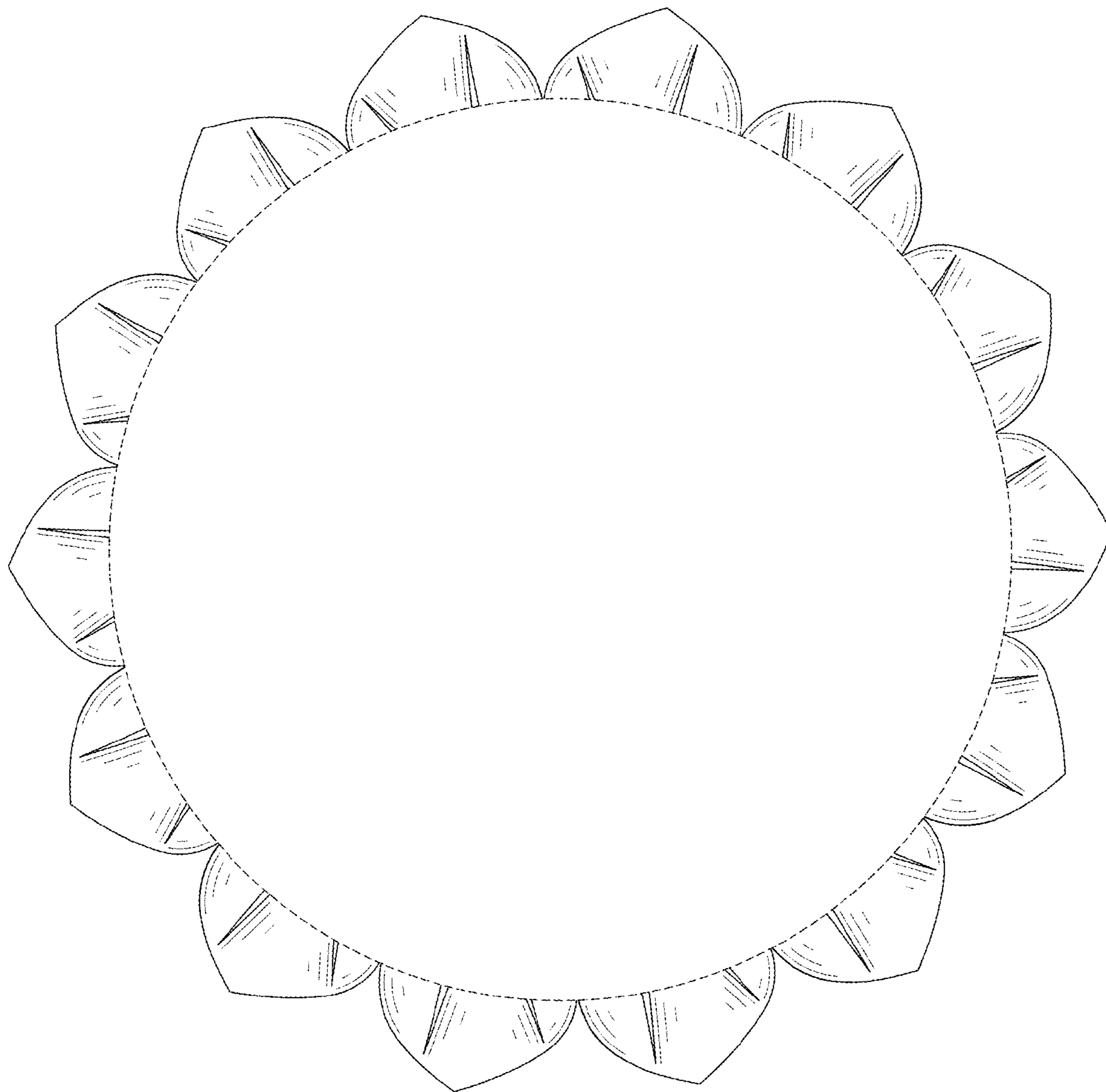


FIG. 8