



US00D960603S

(12) **United States Design Patent**
Højfeldt

(10) **Patent No.:** **US D960,603 S**

(45) **Date of Patent:** **** *Aug. 16, 2022**

- (54) **SOFA**
- (71) Applicant: **Innovation U.S.A., Inc.**, Mission Viejo, CA (US)
- (72) Inventor: **Emil Højfeldt**, Randers (DK)
- (73) Assignee: **INNOVATION U.S.A., INC.**, Mission Viejo, CA (US)

- D484,713 S 1/2004 Gomez
- D542,478 S * 5/2007 Andriola D30/118
- D586,578 S 2/2009 Mourgue
- D588,827 S 3/2009 Mourgue
- D647,317 S 10/2011 Urquiola
- D655,100 S 3/2012 Yeung Ka Fei
- D686,008 S 7/2013 Sage et al.
- D781,610 S 3/2017 King et al.

(Continued)

- (*) Notice: This patent is subject to a terminal disclaimer.
- (**) Term: **15 Years**

FOREIGN PATENT DOCUMENTS

- DE 402013100061-0007 1/2013
- DE 402015000076-0029 1/2015

- (21) Appl. No.: **29/817,600**
- (22) Filed: **Dec. 2, 2021**

Related U.S. Application Data

- (63) Continuation of application No. 29/740,309, filed on Jul. 2, 2020, now Pat. No. Des. 948,234.

Foreign Application Priority Data

- Jan. 10, 2020 (EM) 007497425-0006

- (51) **LOC (13) Cl.** **06-01**
- (52) **U.S. Cl.**

USPC **D6/377**; D6/381

- (58) **Field of Classification Search**
- USPC D6/334–336, 349, 369, 377, 379, 381
- CPC A47C 17/00; A47C 17/02; A47C 17/04; A47C 17/045; A47C 17/12; A47C 17/13; A47C 17/132; A47C 17/134; A47C 17/136; A47C 17/16; A47C 17/162; A47C 17/17; A47C 17/18; A47C 17/86
- See application file for complete search history.

- (56) **References Cited**

U.S. PATENT DOCUMENTS

- 3,951,453 A 4/1976 Zapf
- D253,326 S 11/1979 Bruhoff

OTHER PUBLICATIONS

Nolita Sectional [online], [site visited Jul. 29, 2021]. Available from internet, URL: <<https://smartfurniture.com/products/nolita-sectional-by-four-hands/>> (Year: 2021).

(Continued)

Primary Examiner — Cynthia Ramirez
Assistant Examiner — Xavier Marti-Santos
(74) *Attorney, Agent, or Firm* — Miles & Stockbridge P.C.; David R. Schaffer

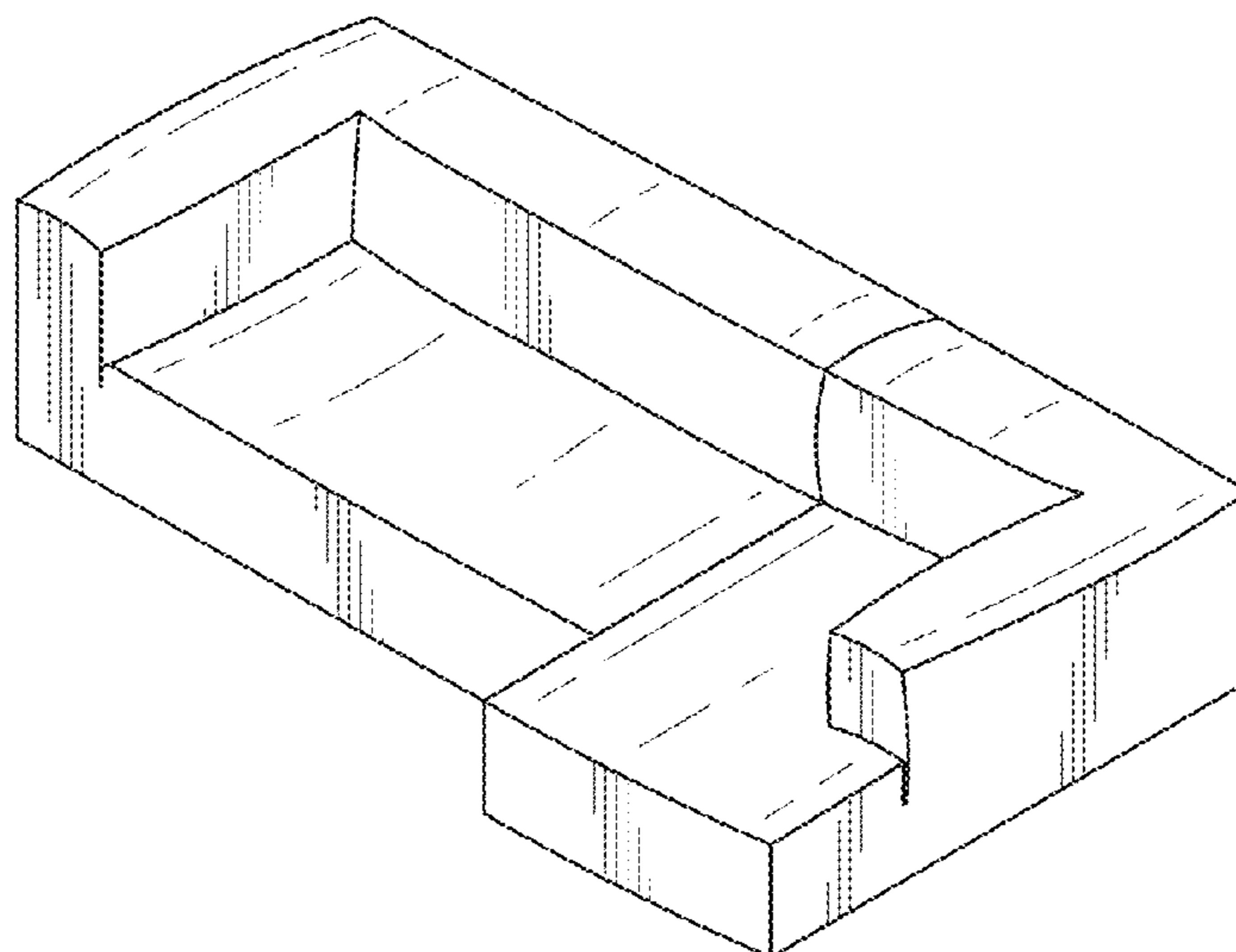
(57) **CLAIM**

The ornamental design for a sofa, as shown and described.

DESCRIPTION

FIG. 1 is a right front perspective view of a sofa showing my new design;
FIG. 2 is a top plan view thereof;
FIG. 3 is a right elevational view thereof;
FIG. 4 is a front elevational view thereof; and,
FIG. 5 is a right rear perspective view thereof.
The elements shown in broken lines illustrate portions of the sofa that form no part of the claimed design.

1 Claim, 2 Drawing Sheets



(56)

References Cited

U.S. PATENT DOCUMENTS

D843,749 S 3/2019 Aubry
D858,133 S 9/2019 Manzoni et al.
D874,173 S 2/2020 Carter
D948,234 S * 4/2022 Højfeldt D6/377
2020/0121090 A1 4/2020 Romano

OTHER PUBLICATIONS

Mags Sectional [online], [site visited Jul. 29, 2021]. Available from internet, URL: <https://us.hay.com/furniture/seating/sofas-and-sectionals/mags-sectional-with-chaise/2514898.html?lang=en_US> (Year: 2021).

Conover Plinth Sectional [online], [site visited Jul. 29, 2021]. Available from internet, URL: <<https://www.westelmwork.com/products/lounge-seating/conover-plinth-sectional>> (Year: 2021).

Rawhide Tan sofa [online], [site visited Jul. 29, 2021]. Available from internet, URL: <<https://www.article.com/product/15359/cigar-rawhide-tan-reversible-sectional>> (Year: 2021).

Information that are not included with this Information Disclosure Statement can be found in U.S. Appl. No. 29/740,309.

* cited by examiner

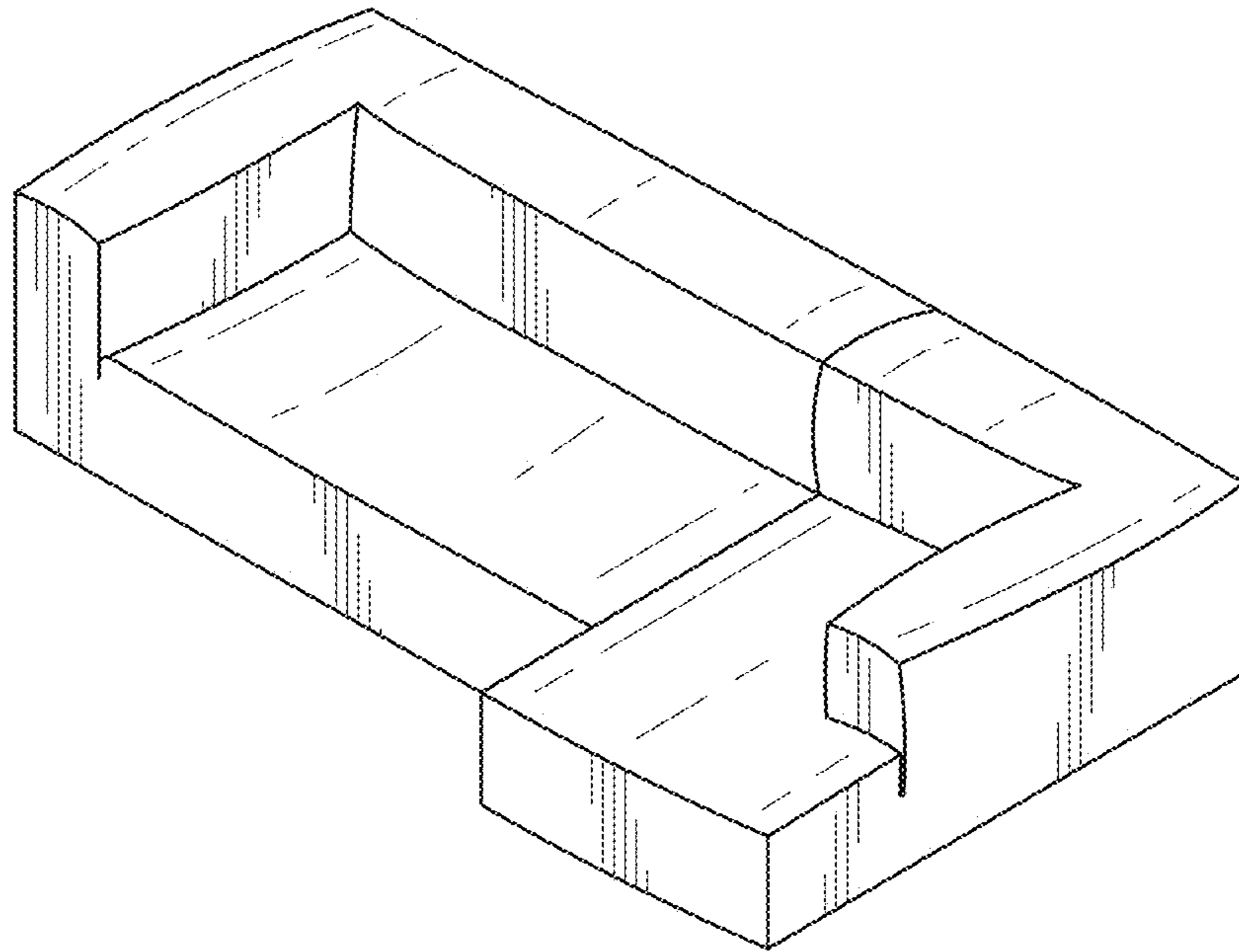


FIG. 1

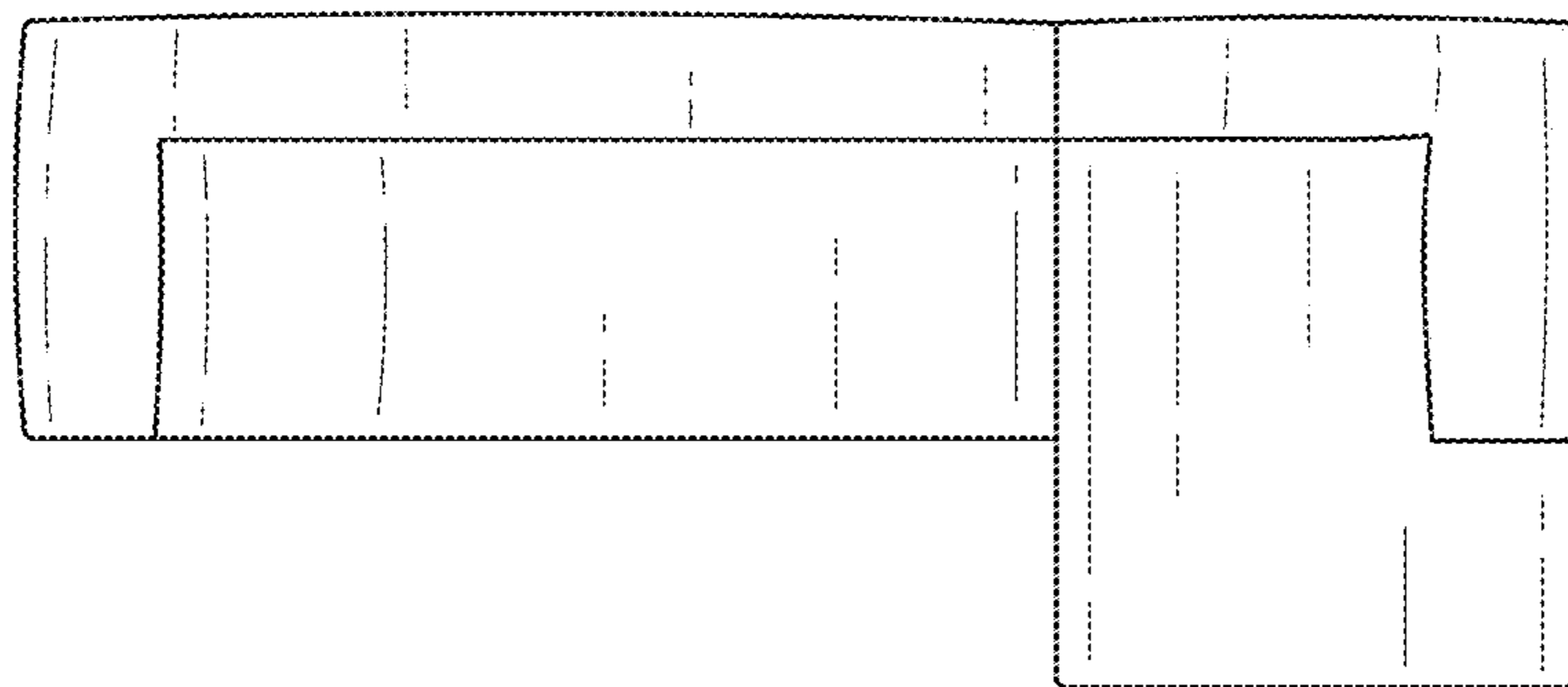


FIG. 2

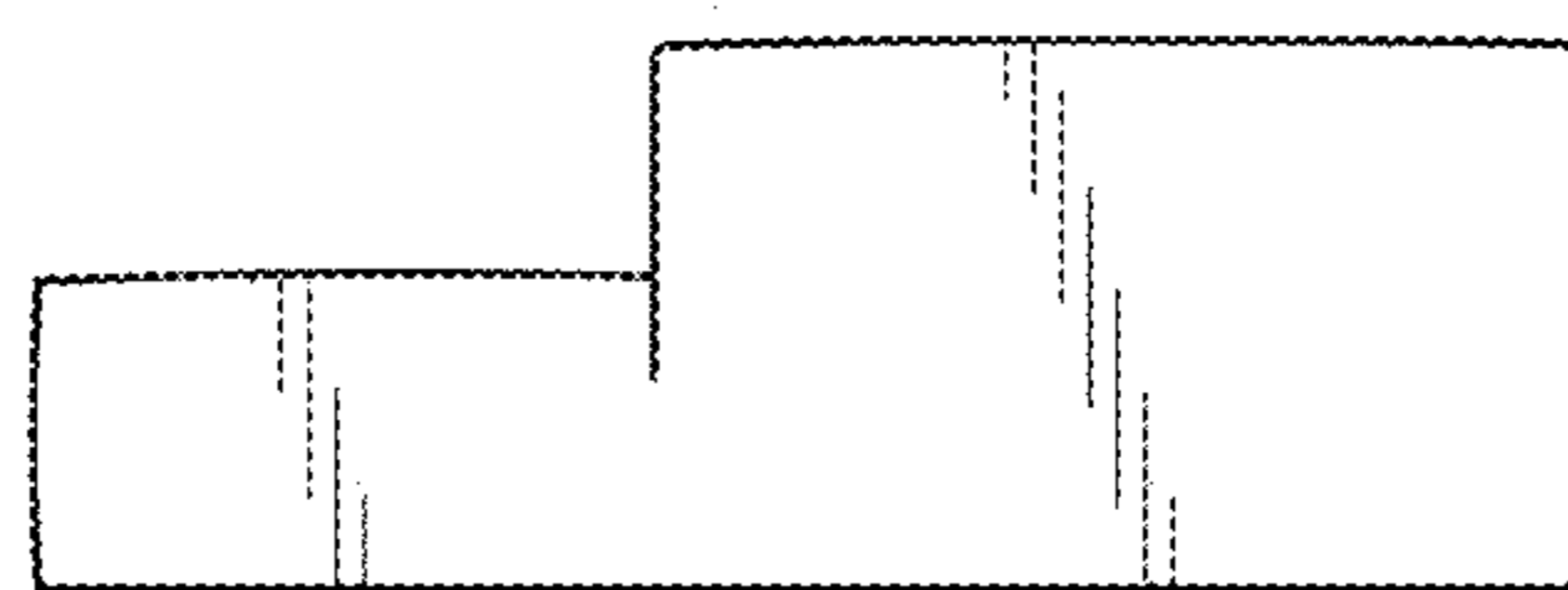


FIG. 3

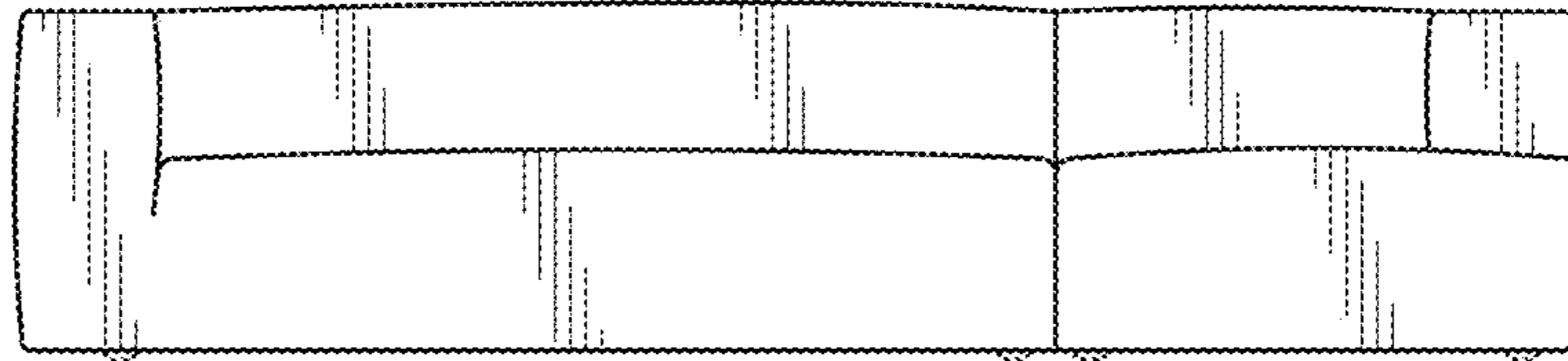


FIG. 4

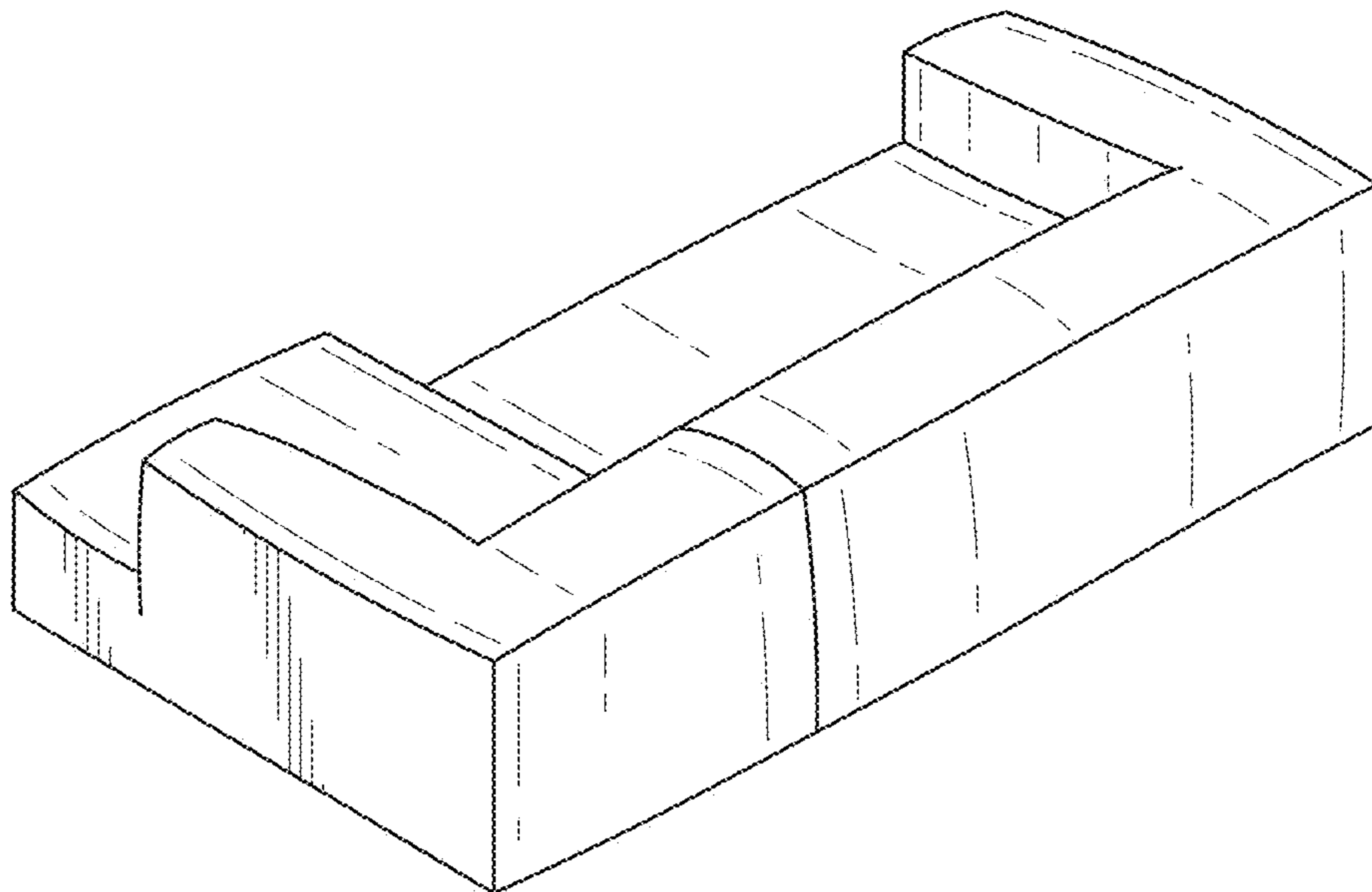


FIG. 5