



US00D960598S

(12) **United States Design Patent**
Leng

(10) **Patent No.:** **US D960,598 S**
(45) **Date of Patent:** **** Aug. 16, 2022**

(54) **FOLDING CHAIR**
(71) Applicant: **NEW-TEC INTEGRATION (XIAMEN) CO., LTD.**, Xiamen (CN)
(72) Inventor: **Luhao Leng**, Xiamen (CN)
(73) Assignee: **New-Tec Integration (Xiamen) Co., Ltd.**, Xiamen (CN)
(**) Term: **15 Years**

2,364,647 A * 12/1944 O'Connor A47C 4/24
297/452.33
2,753,922 A * 7/1956 Grimland A47C 4/24
297/58
2,757,715 A * 8/1956 Hendrickson A47C 4/24
297/58
3,695,687 A * 10/1972 Uyeda A47C 4/24
297/56
5,730,489 A * 3/1998 Eberle A47C 3/04
297/53
D455,568 S * 4/2002 Leng D6/368
D468,920 S * 1/2003 Striebel D6/368
(Continued)

(21) Appl. No.: **29/684,227**
(22) Filed: **Mar. 19, 2019**
(30) **Foreign Application Priority Data**
Sep. 19, 2018 (CN) 201830528021.X
(51) **LOC (13) Cl.** **06-01**
(52) **U.S. Cl.**
USPC **D6/368**
(58) **Field of Classification Search**
USPC D6/366, 368, 374, 380, 339, 716.4;
D25/64
CPC A47C 3/04; A47C 4/24; A47C 4/28; A47C
4/38; A47C 7/282; H01J 49/42; H01J
49/063; H01J 49/4215; H01J 49/4255;
Y10T 403/7171; Y10T 403/7194; A47B
83/02; A47D 1/004; A47D 1/0081; A47D
1/002; A47D 1/0085
See application file for complete search history.

(56) **References Cited**
U.S. PATENT DOCUMENTS
1,873,768 A * 8/1932 Kux A47C 4/06
297/56
D107,545 S * 12/1937 O'Connor D6/368
2,350,895 A * 6/1944 Hoover, Jr. A47C 4/14
297/58
2,364,093 A * 12/1944 O'Connor A47C 7/40
297/452.21

OTHER PUBLICATIONS

“Flash Furniture White Standard Folding Chair,” Sep. 15, 2015, lowes.com, site visited Apr. 4, 2022, <<https://www.lowes.com/pd/Flash-Furniture-Outdoor-White-Metal-Solid-Standard-Folding-Chair/1001077840>> (Year: 2015).*

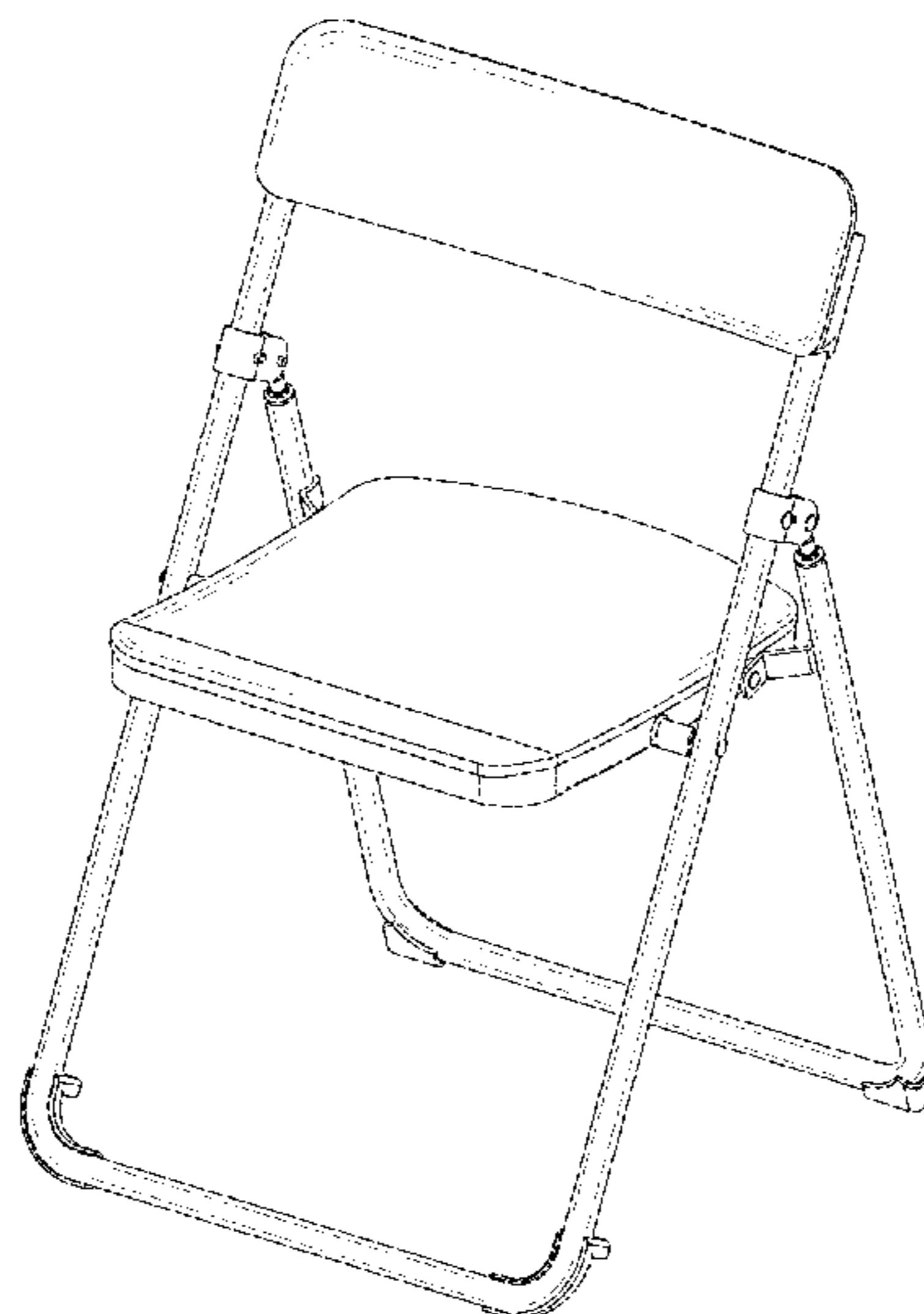
Primary Examiner — Kevin K Rudzinski
Assistant Examiner — Paul D Bohannon
(74) *Attorney, Agent, or Firm* — Cooper Legal Group, LLC

(57) **CLAIM**
The ornamental design for a folding chair, as shown and described.

DESCRIPTION

FIG. 1. is a front view of a folding chair showing my new design;
FIG. 2. is a rear view thereof;
FIG. 3. is a left side view thereof;
FIG. 4. is a right side view thereof;
FIG. 5. is a top plan view thereof;
FIG. 6. is a bottom plan thereof;
FIG. 7. is a perspective view thereof, showing an unfolded position; and,
FIG. 8. is a perspective view thereof, showing a folded position.

1 Claim, 8 Drawing Sheets



(56)

References Cited

U.S. PATENT DOCUMENTS

D501,613	S *	2/2005	Kaltenmark	D6/368
D516,328	S *	3/2006	Stalmate	D6/356
D517,828	S *	3/2006	Magnani	D6/380
D558,999	S *	1/2008	Cantarutti	D6/368
D569,118	S *	5/2008	Lin	D6/368
7,753,439	B2 *	7/2010	Akkad	A47C 4/10 297/23
D677,921	S *	3/2013	Wen	D6/368
8,496,296	B2 *	7/2013	Fusao	A47C 5/10 297/58
D793,113	S *	8/2017	Lin	D6/368
D805,797	S *	12/2017	Toffoloni	D6/380
D899,803	S *	10/2020	Tabet	D6/380
10,959,526	B2 *	3/2021	Leng	A47C 4/10
11,071,388	B2 *	7/2021	Leng	A47C 3/40
2008/0084094	A1 *	4/2008	Voris	A47C 4/20 297/16.2
2008/0284215	A1 *	11/2008	Stauber	A47C 3/045 297/16.2
2011/0025104	A1 *	2/2011	Fusao	A47C 4/03 285/179
2015/0201759	A1 *	7/2015	Winters	A47C 4/04 297/48
2020/0138191	A1 *	5/2020	Leng	A47C 4/10
2021/0059414	A1 *	3/2021	Leng	A47C 3/34

* cited by examiner

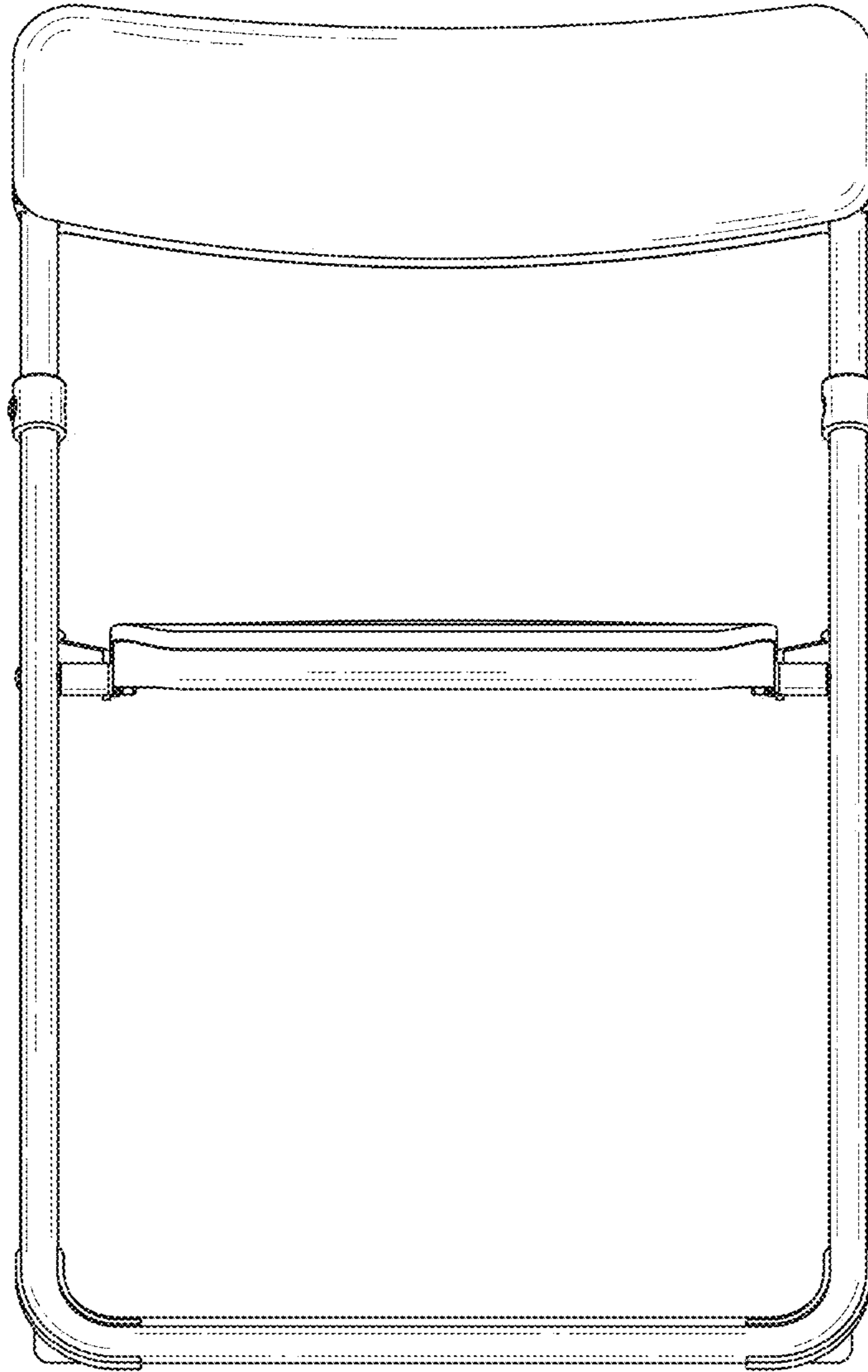


FIG. 1

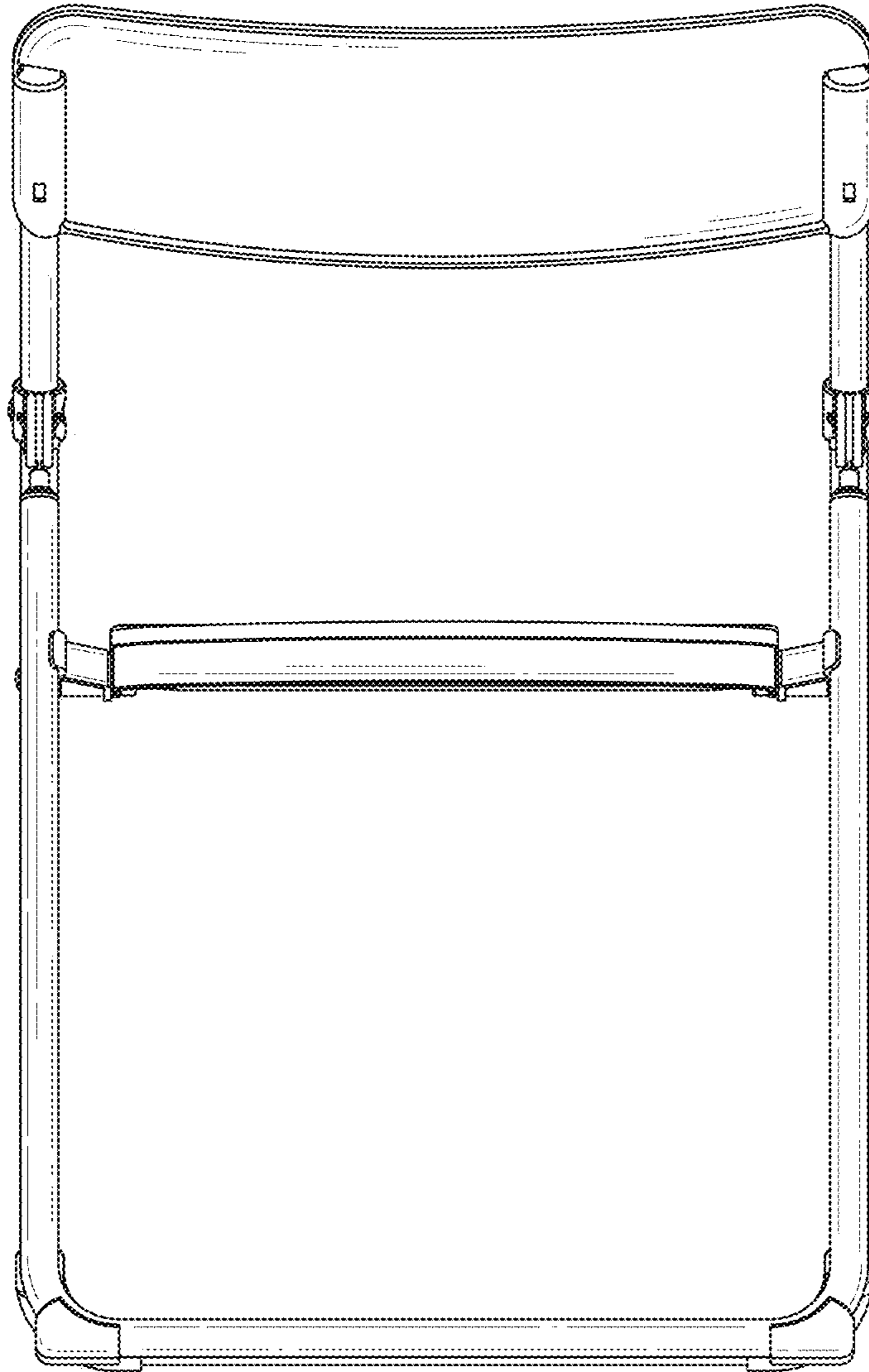


FIG. 2

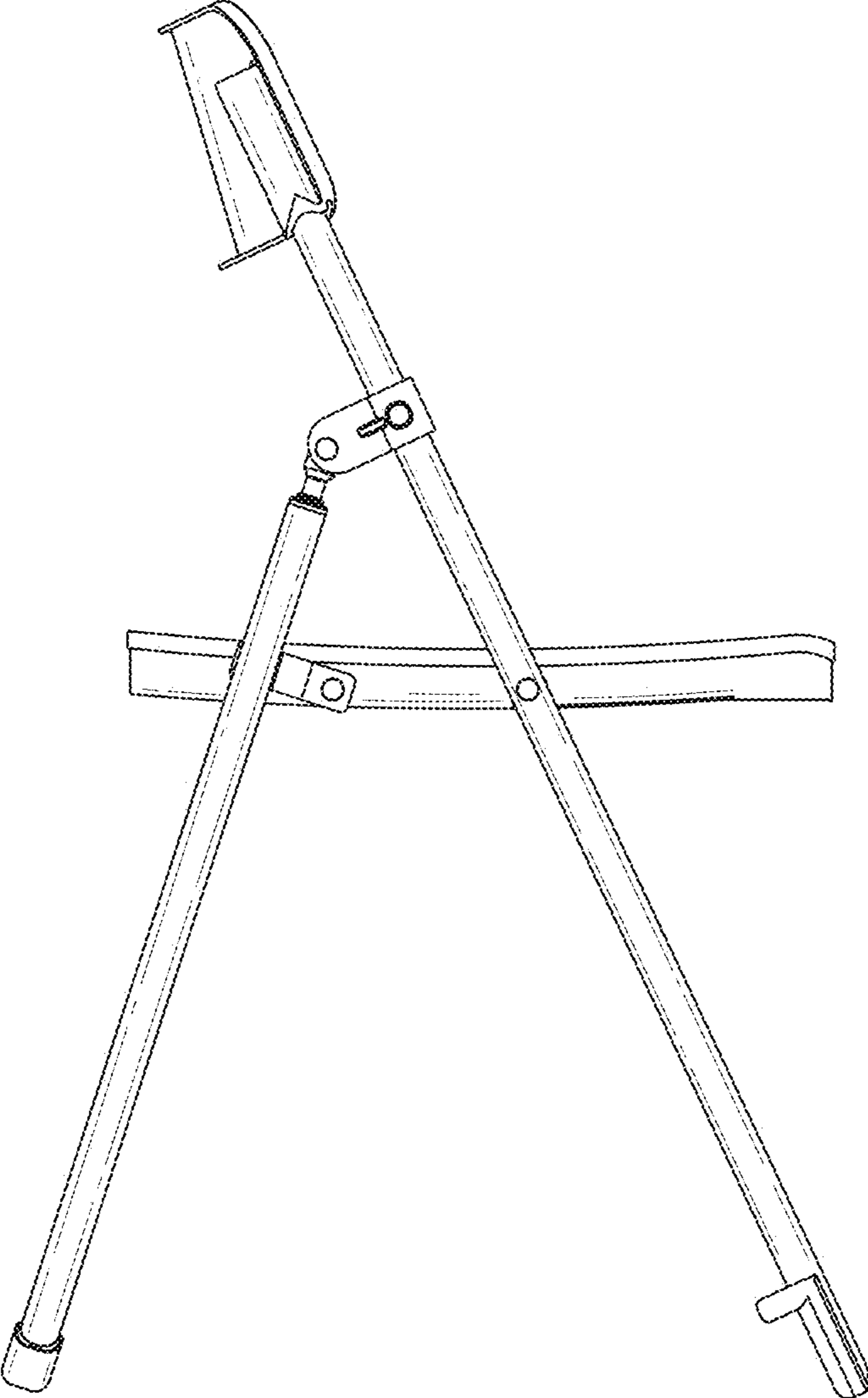


FIG. 3

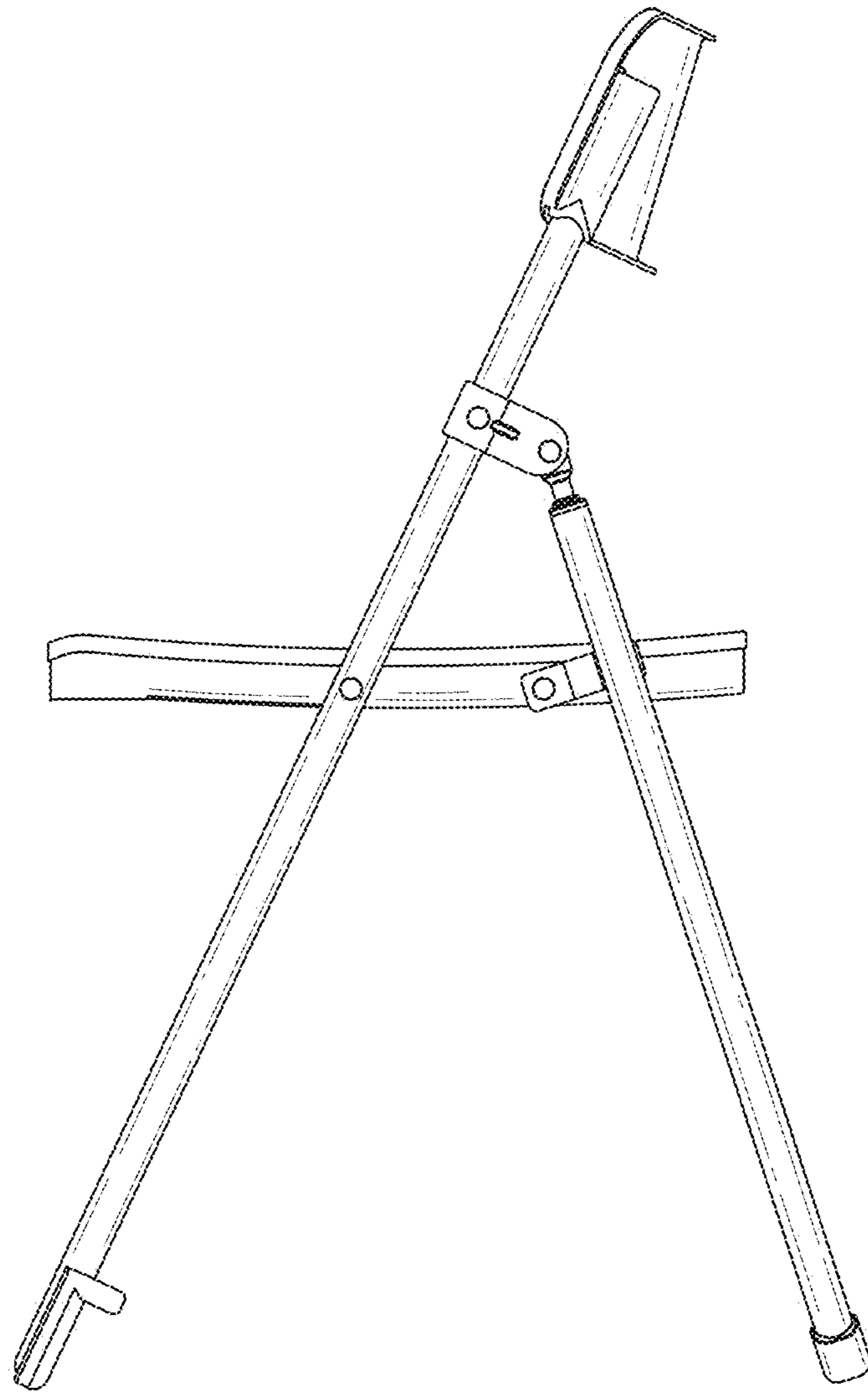


FIG. 4

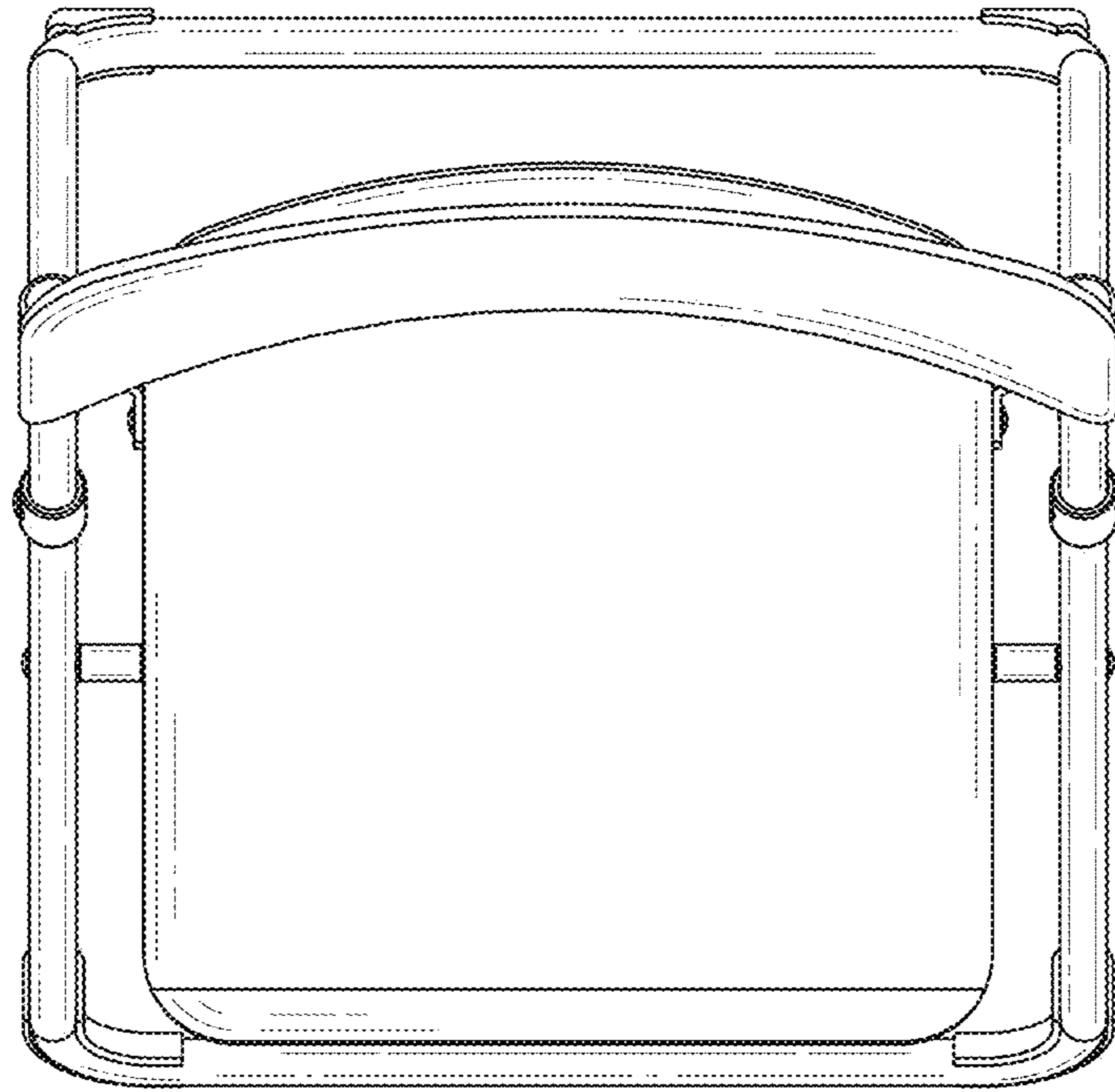


FIG. 5

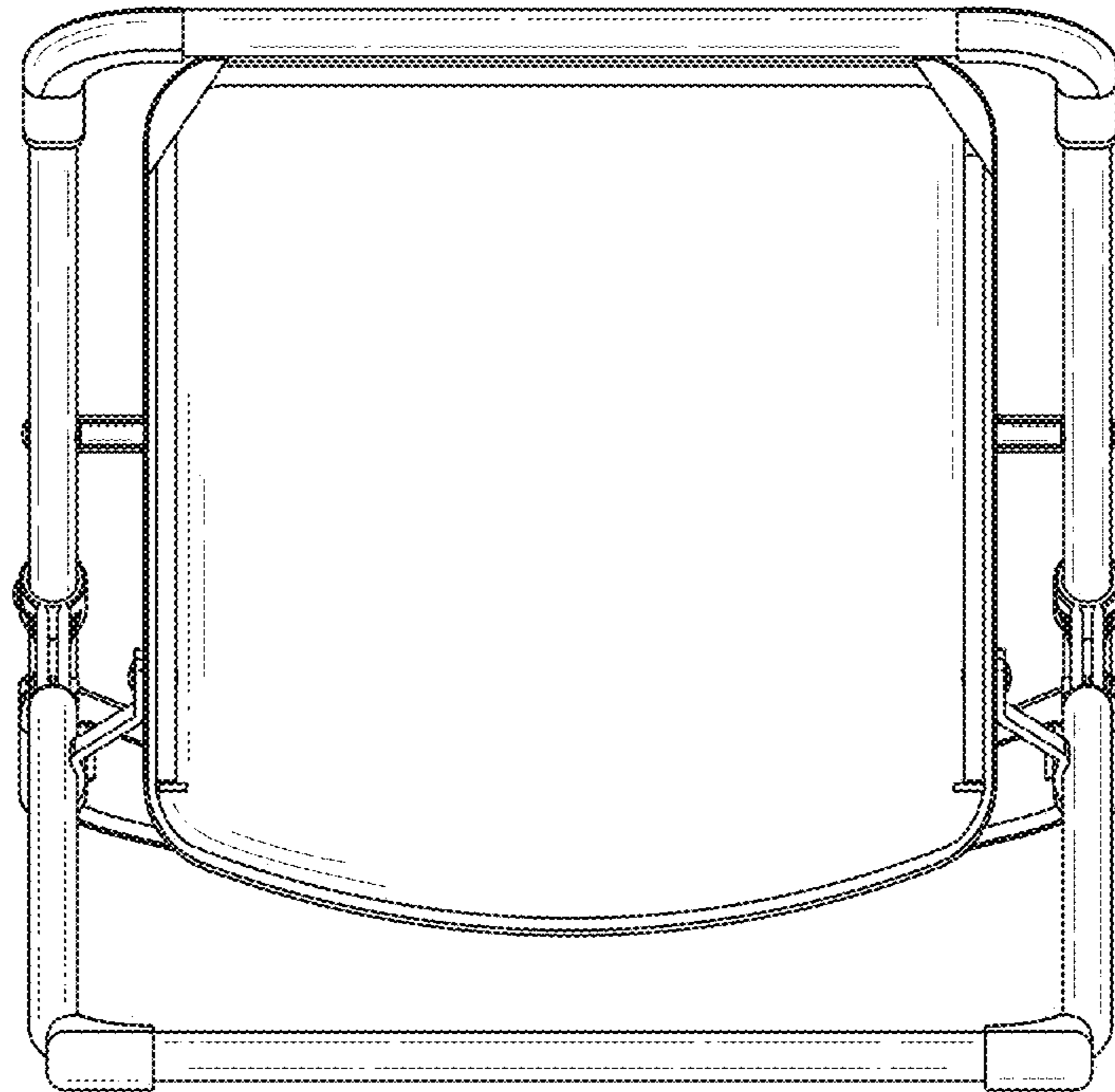


FIG. 6

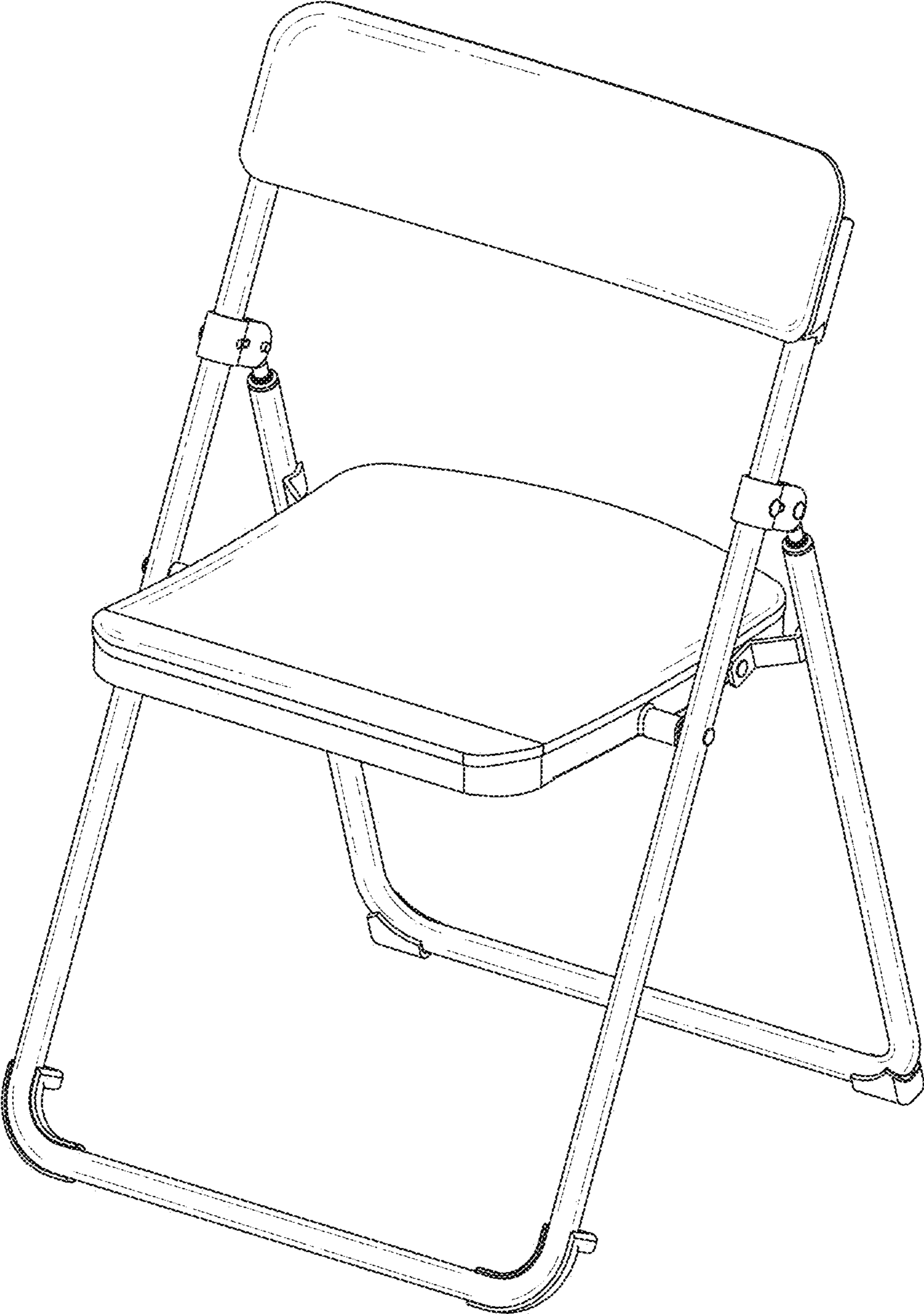


FIG. 7

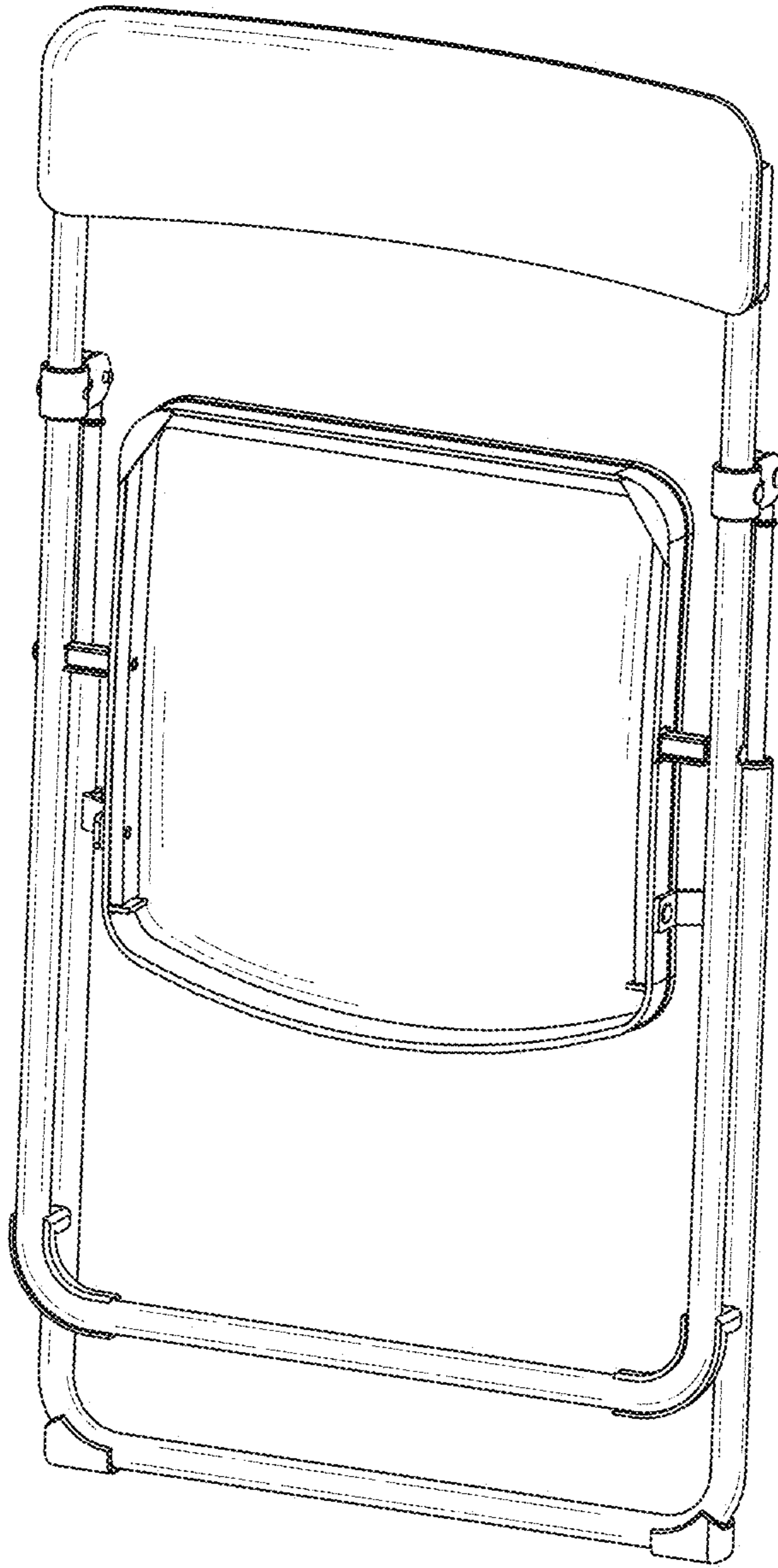


FIG. 8