



US00D960597S

(12) **United States Design Patent** (10) **Patent No.:** **US D960,597 S**
Cross et al. (45) **Date of Patent:** **** Aug. 16, 2022**

(54) **CHAIR**

B60R 22/986; B60R 22/914; B60R 22/995; F16B 2/08; F16B 45/00; Y10S 297/01; A47D 13/10

(71) Applicant: **HERMAN MILLER, INC.**, Zeeland, MI (US)

See application file for complete search history.

(72) Inventors: **Eric D. Cross**, Edinburgh (GB);
Martin Potrykus, Bamberg (DE);
Mugi D. Yamamoto, Cham (CH);
Armin Sander, Fuerth (DE)

(56) **References Cited**

U.S. PATENT DOCUMENTS

(73) Assignee: **MillerKnoll, Inc.**, Zeeland, MI (US)

(**) Term: **15 Years**

D112,348 S	11/1938	O'Connor	
D471,370 S	3/2003	Schmitz et al.	
D490,994 S	6/2004	Schmitz et al.	
D494,792 S	8/2004	Schmitz et al.	
D541,063 S *	4/2007	Su	D6/366
D547,978 S *	8/2007	Machael	D6/716
D548,474 S *	8/2007	Fancelli	D6/366

(Continued)

(21) Appl. No.: **29/762,010**

(22) Filed: **Dec. 14, 2020**

Related U.S. Application Data

(62) Division of application No. 29/692,258, filed on May 23, 2019, now Pat. No. Des. 907,423.

(51) **LOC (13) Cl.** **06-01**

(52) **U.S. Cl.**
USPC **D6/366**

(58) **Field of Classification Search**

USPC D6/356, 364, 365, 366, 367, 379, 716, D6/716.4, 716.7, 360, 380; D21/521, 695
CPC A47C 1/03294; A47C 1/034; A47C 1/032; A47C 1/031; A47C 1/023; A47C 3/029; A47C 3/027; A47C 3/04; A47C 3/02; A47C 3/12; A47C 4/03; A47C 4/04; A47C 5/12; A47C 7/029; A47C 7/02; A47C 7/18; A47C 7/28; A47C 7/32; A47C 7/38; A47C 7/40; A47C 7/44; A47C 7/46; A47C 7/54; A47C 7/425; A47C 7/445; A47C 31/023; A47C 31/04; B60R 2/0284; B60R 2/062; B60R 22/001; B60R 22/24; B60R 22/28; B60R 22/58; B60R 22/64; B60R 22/68; B60R 22/80; B60R 22/99; B60R 22/245; B60R 22/643; B60R 22/646; B60R 22/665; B60R 22/686; B60R 22/688; B60R 22/803;

OTHER PUBLICATIONS

Joe Parr Design, "Venus Chair", <http://joeparrdesign.com/verus-task-chair/> web page publicly available at least as early as Aug. 21, 2018, (8Pages).

Primary Examiner — Kevin K Rudzinski

Assistant Examiner — Paul D Bohannon

(74) *Attorney, Agent, or Firm* — Michael Best & Friedrich LLP

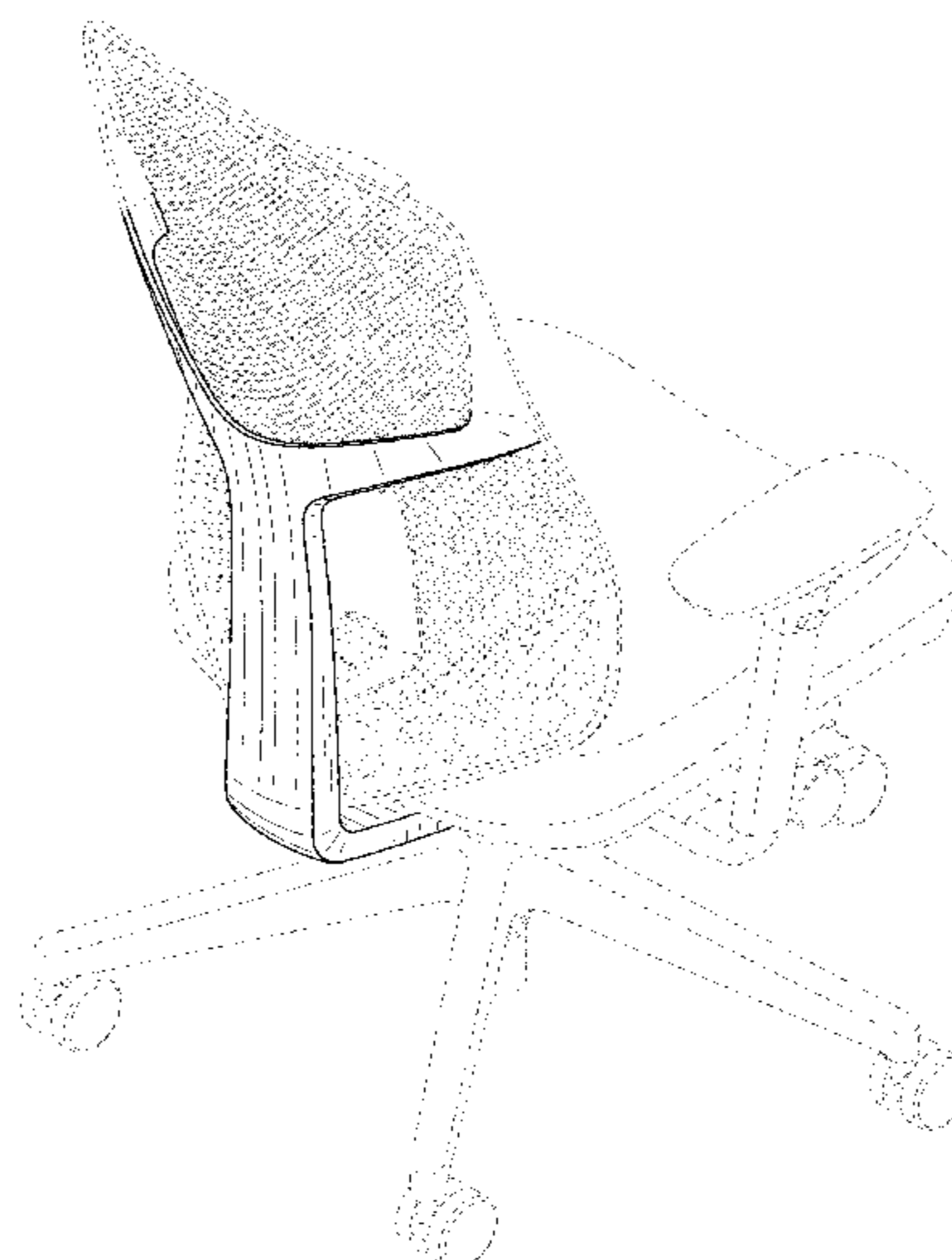
(57) **CLAIM**

We claim the ornamental design for a chair, as shown and described.

DESCRIPTION

FIG. 1 is a rear perspective view of a chair.
FIG. 2 is a first side view of the chair of FIG. 1.
FIG. 3 is a second side view of the chair of FIG. 1.
FIG. 4 is a rear view of the chair of FIG. 1.
FIG. 5 is a top view of the chair of FIG. 1; and,
FIG. 6 is a bottom view of the chair of FIG. 1.
The broken lines shown in the drawings are for the purpose of illustrating portions of the chair that form no part of the claimed design.

1 Claim, 6 Drawing Sheets



(56)

References Cited

U.S. PATENT DOCUMENTS

D559,571 S	1/2008	Meda	
D559,572 S	1/2008	Igarashi	
D580,199 S *	11/2008	Su	D6/366
D597,331 S	8/2009	Neil	
D604,969 S	12/2009	Parker et al.	
D622,985 S	9/2010	Kubryk	
D627,983 S	11/2010	Wakasugi et al.	
D641,574 S	7/2011	Su	
D643,641 S	8/2011	Figueroa	
D643,642 S	8/2011	Figueroa	
D644,862 S	9/2011	Gaschy	
D665,592 S	8/2012	Citterio	
D669,713 S	10/2012	Hsieh	
D702,977 S	4/2014	Bonneywell	
D703,457 S	4/2014	Plikat et al.	
D714,069 S *	9/2014	Cvek	D6/366
D723,851 S	3/2015	Plikat et al.	
D724,879 S	3/2015	Su	
D745,300 S *	12/2015	Cvek	D6/366
D754,998 S	5/2016	Bench	
D756,695 S	5/2016	Hurford	
D761,049 S	7/2016	Pan	
D772,592 S *	11/2016	Su	D6/366
D773,199 S	12/2016	Neil	
D773,200 S	12/2016	Hailong	
D777,494 S *	1/2017	Prestwich	D6/716.4
9,713,381 B2 *	7/2017	Davis	A47C 1/03255
D795,602 S	8/2017	Neil et al.	
D798,093 S	9/2017	Pan	
D799,843 S	10/2017	Chen	
D802,953 S	11/2017	Meda	
D816,362 S	5/2018	Su	
D832,017 S	10/2018	Chadwick et al.	
D837,553 S	1/2019	Meda	
D841,340 S	2/2019	Chadwick et al.	
D844,358 S	4/2019	Chadwick et al.	
D870,479 S	12/2019	Deevers et al.	
D907,423 S	1/2021	Cross et al.	
D929,757 S *	9/2021	Feng	D6/366
2018/0058032 A1	3/2018	Harazim	

* cited by examiner

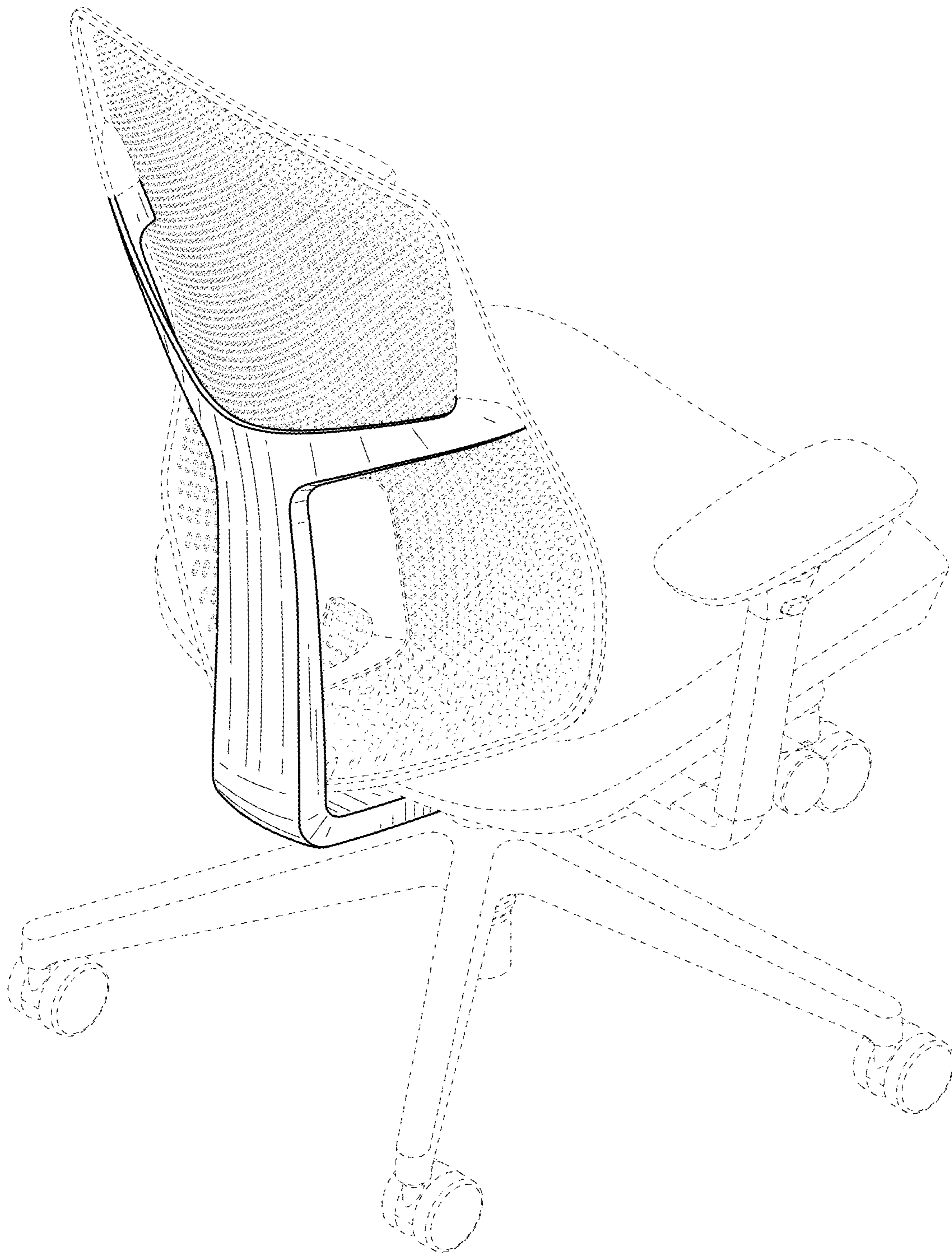


FIG. 1

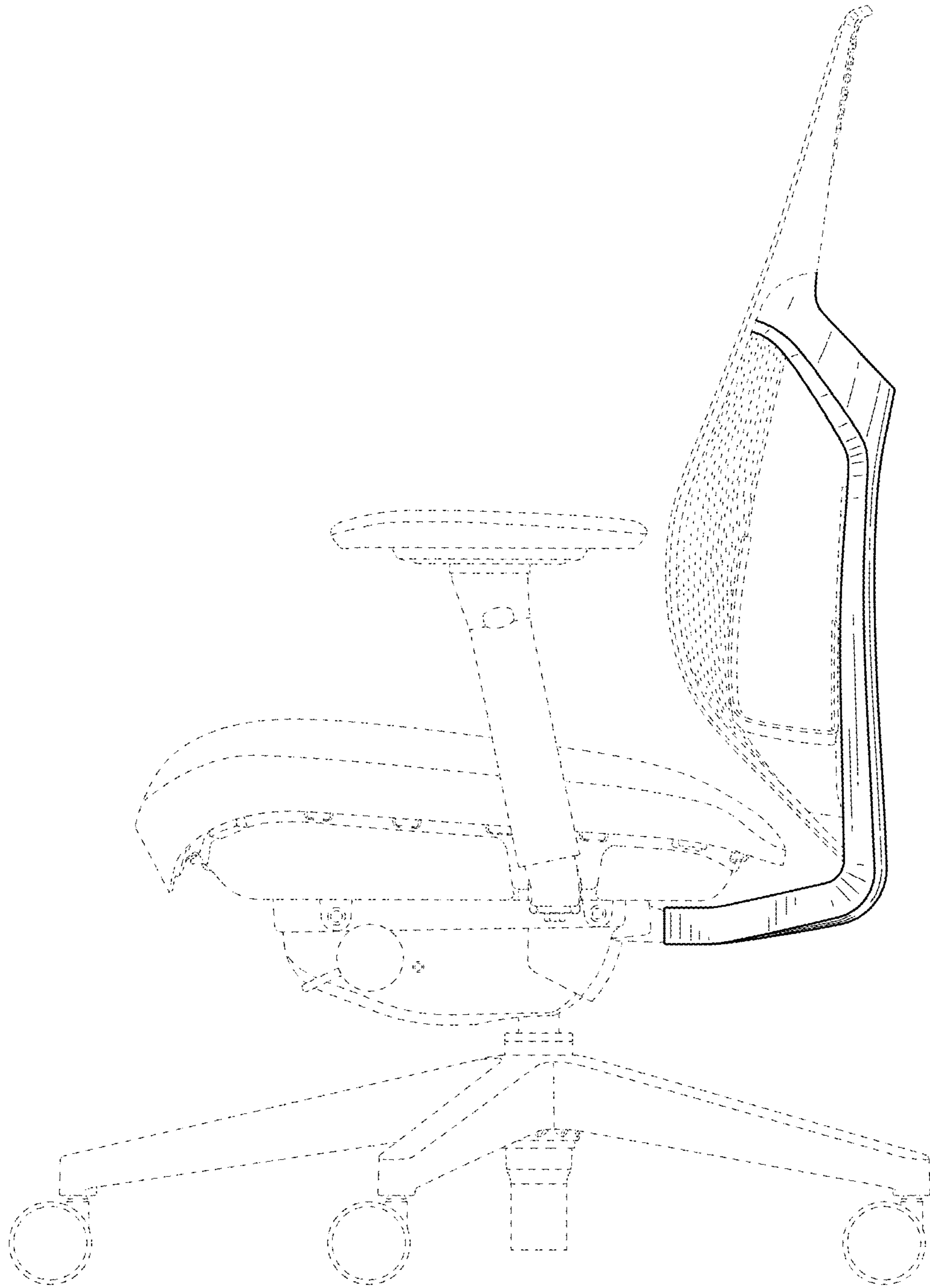


FIG. 2

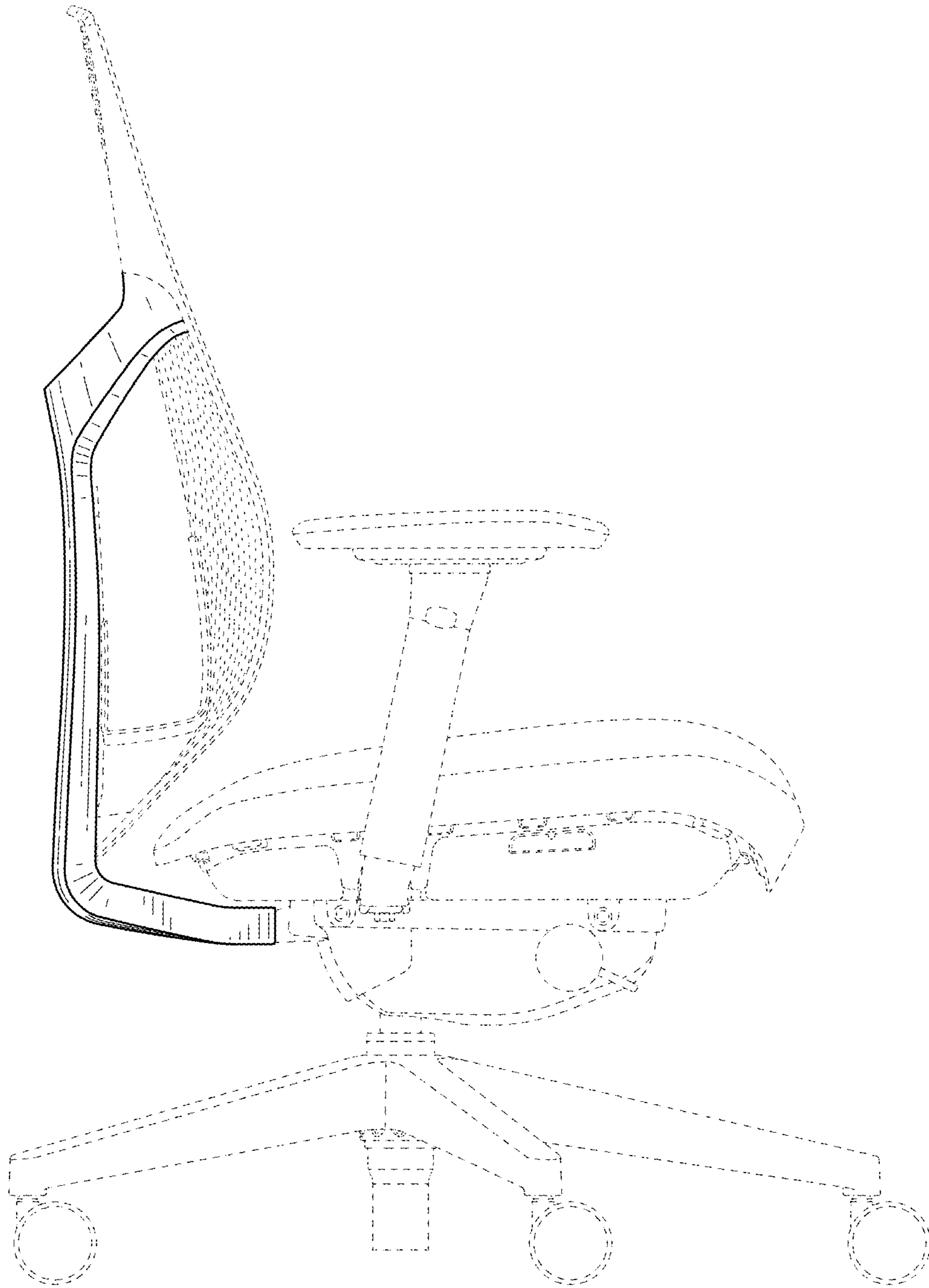


FIG. 3

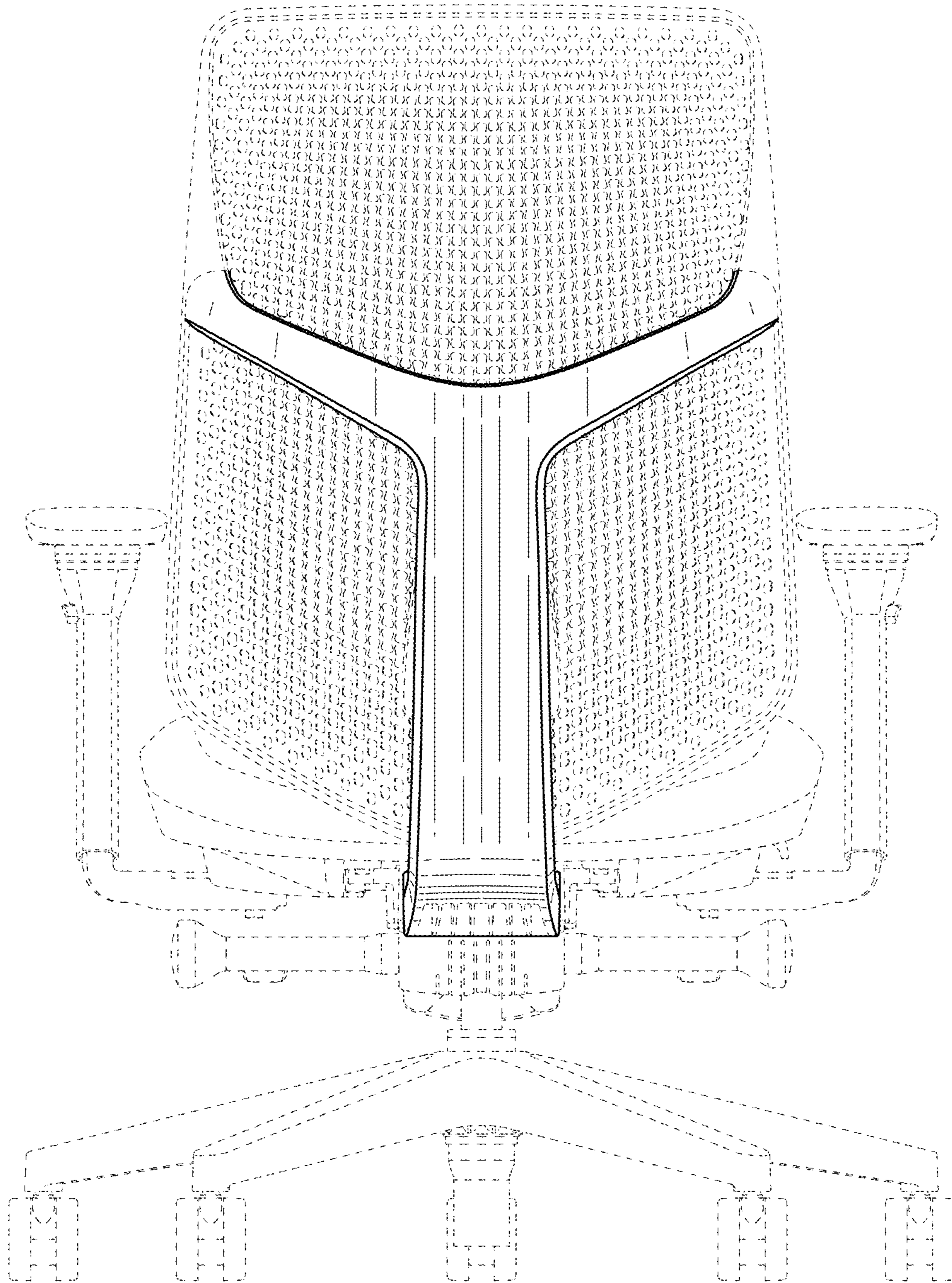


FIG. 4

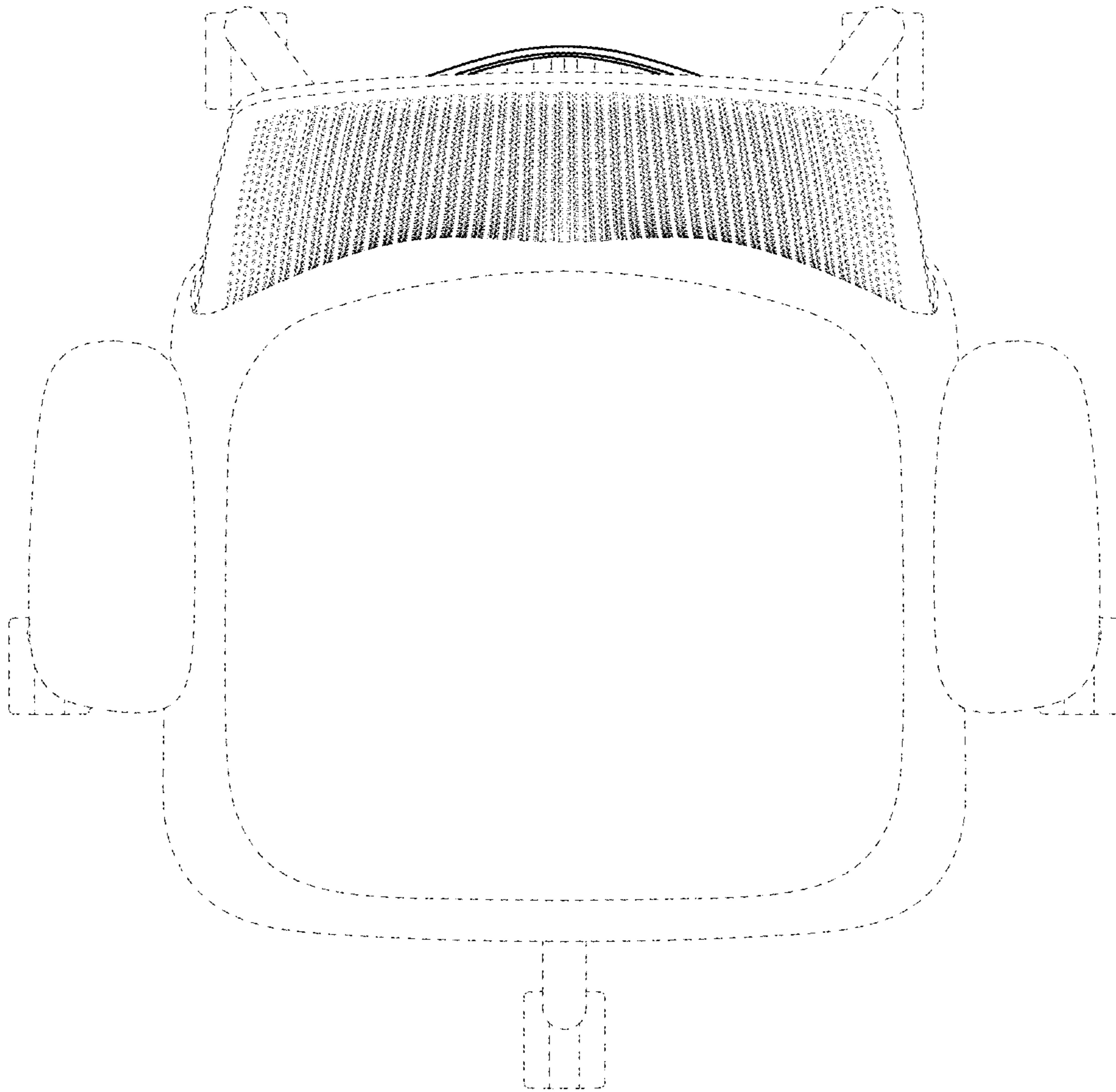


FIG. 5

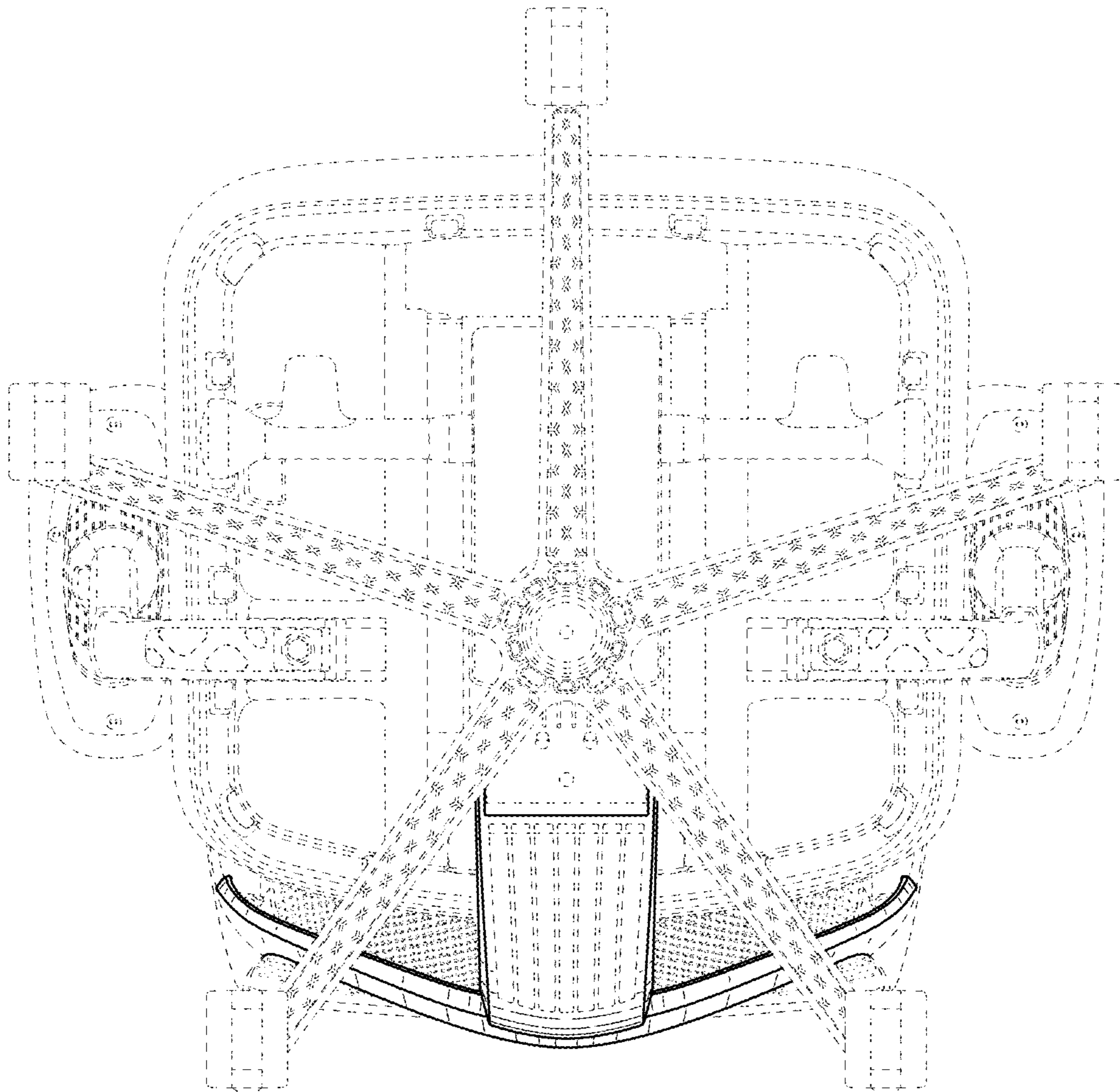


FIG. 6