



US00D960595S

(12) **United States Design Patent**
Esteve Cambra

(10) **Patent No.:** **US D960,595 S**

(45) **Date of Patent:** **** Aug. 16, 2022**

(54) **CHAISE**

(71) Applicant: **RH US, LLC**, Corte Madera, CA (US)

(72) Inventor: **Jose Ramón Esteve Cambra**, Valencia (ES)

(73) Assignee: **RH US, LLC**, Corte Madera, CA (US)

(**) Term: **15 Years**

(21) Appl. No.: **29/766,556**

(22) Filed: **Jan. 15, 2021**

(51) **LOC (13) Cl.** **06-01**

(52) **U.S. Cl.**
USPC **D6/361**

(58) **Field of Classification Search**
USPC D6/360, 361, 367, 368, 369, 370, 382
CPC .. A47C 1/02; A47C 1/028; A47C 1/14; A47C
3/143; A47C 4/04; A47C 4/08; A47C
4/18; A47C 5/02

See application file for complete search history.

(56) **References Cited**

U.S. PATENT DOCUMENTS

D194,461 S	*	1/1963	Schultz	D6/361
D405,967 S	*	2/1999	Lewis	D6/369
D429,909 S	*	8/2000	Hoisl	D6/361
D515,324 S	*	2/2006	Grosfillex	D6/361
D646,067 S	*	10/2011	Frinier	D6/361

D823,014 S	*	7/2018	Guggenbichler	A47C 3/04 D6/361
D891,801 S	*	8/2020	Aubry	D6/361
D925,242 S	*	7/2021	Smrstick	D6/361
D939,229 S	*	12/2021	Shemer	D6/361

* cited by examiner

Primary Examiner — R. Johnson

(74) *Attorney, Agent, or Firm* — Lewis Roca Rothgerber Christie LLP

(57) **CLAIM**

The ornamental design for a chaise, as shown and described.

DESCRIPTION

FIG. 1 is a left rear perspective view of a chaise showing my new design;

FIG. 2 is a right front perspective view thereof;

FIG. 3 is a right side elevation view thereof, the left side view being a mirror image;

FIG. 4 is a front elevation view thereof;

FIG. 5 is a rear elevation view thereof;

FIG. 6 is a top plan view thereof;

FIG. 7 is a right front perspective view thereof showing the chaise in a reclined position;

FIG. 8 is an enlarged, partial view of the chaise in FIG. 1, the portion taken at line-8; and,

FIG. 9 is an enlarged, partial view of the chaise in FIG. 5, the portion taken at line-9.

The broken lines represent environmental subject matter and form no part of the claimed design. The woven pattern shown on the backrest of the chaise, in FIGS. 1, 5 and 8, is continuous throughout.

1 Claim, 7 Drawing Sheets

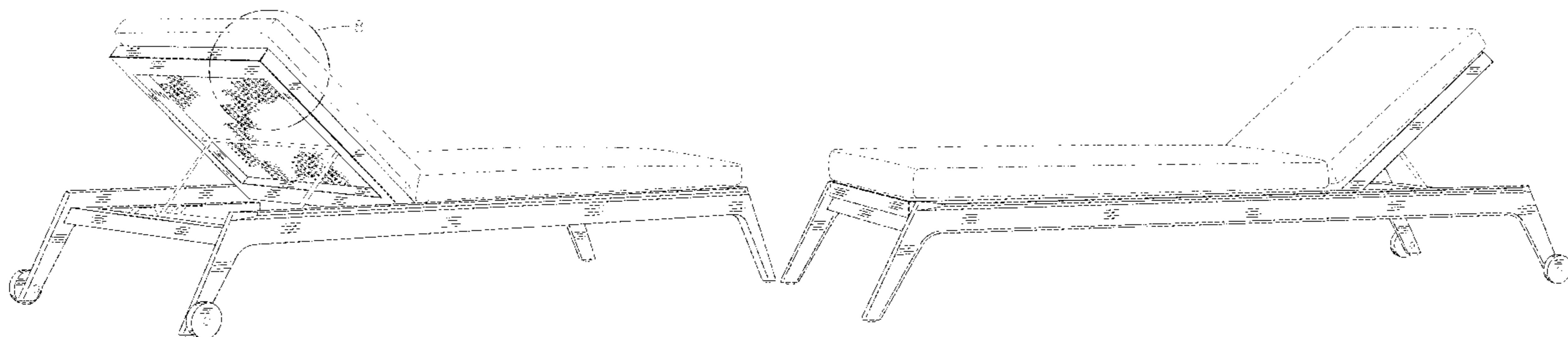


FIG. 1

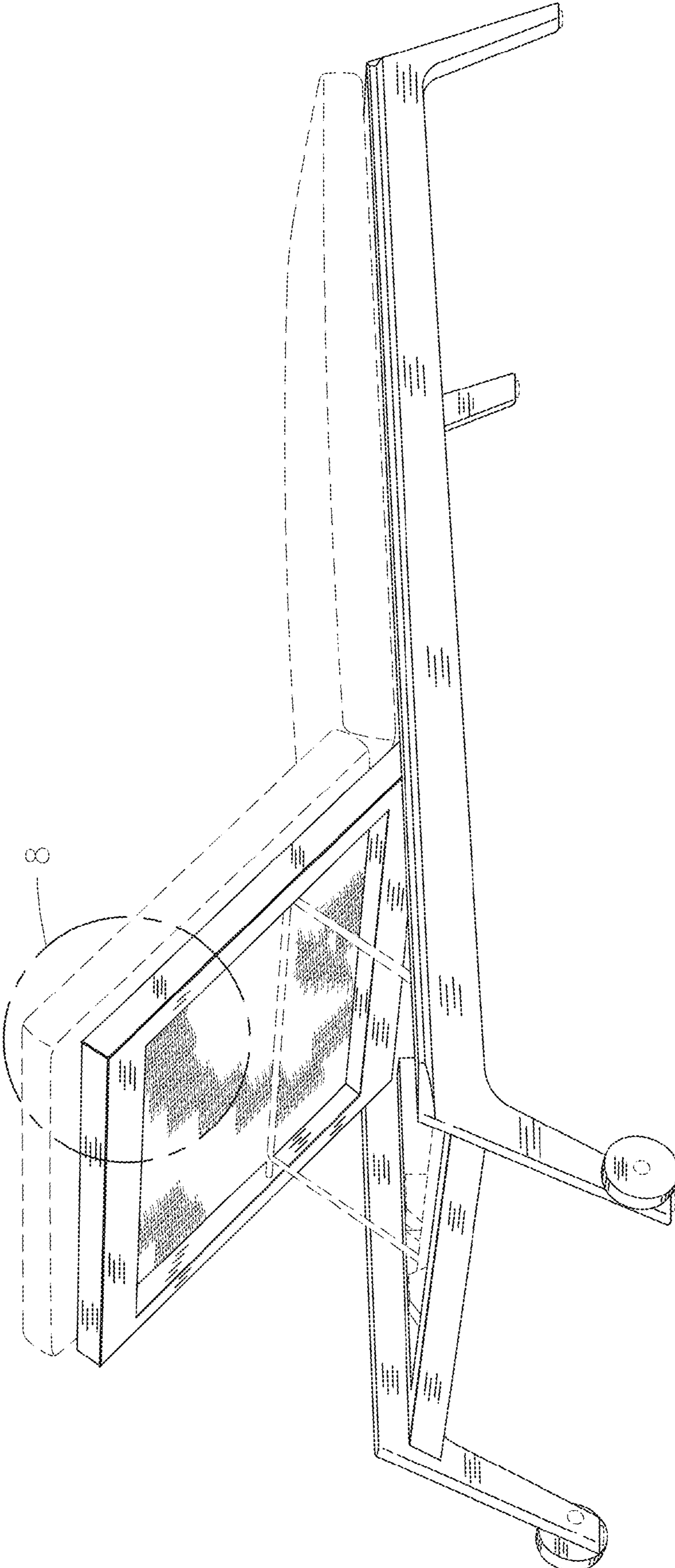


FIG. 2

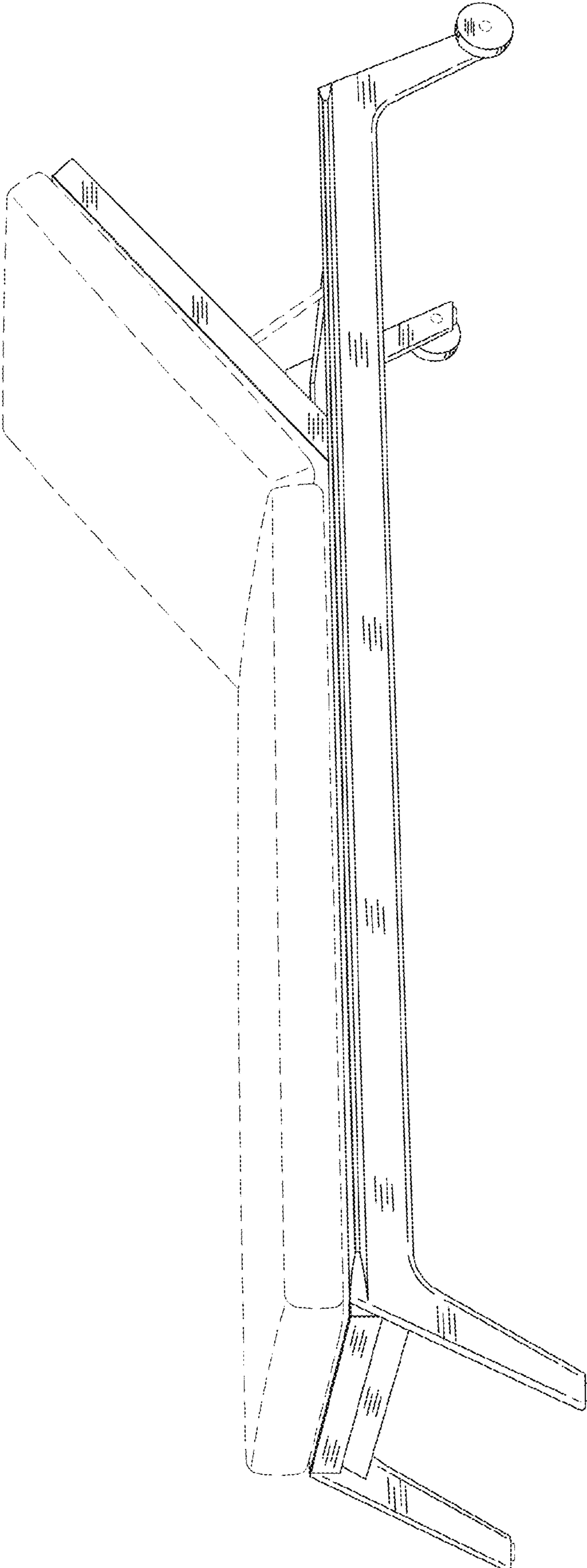


FIG. 3

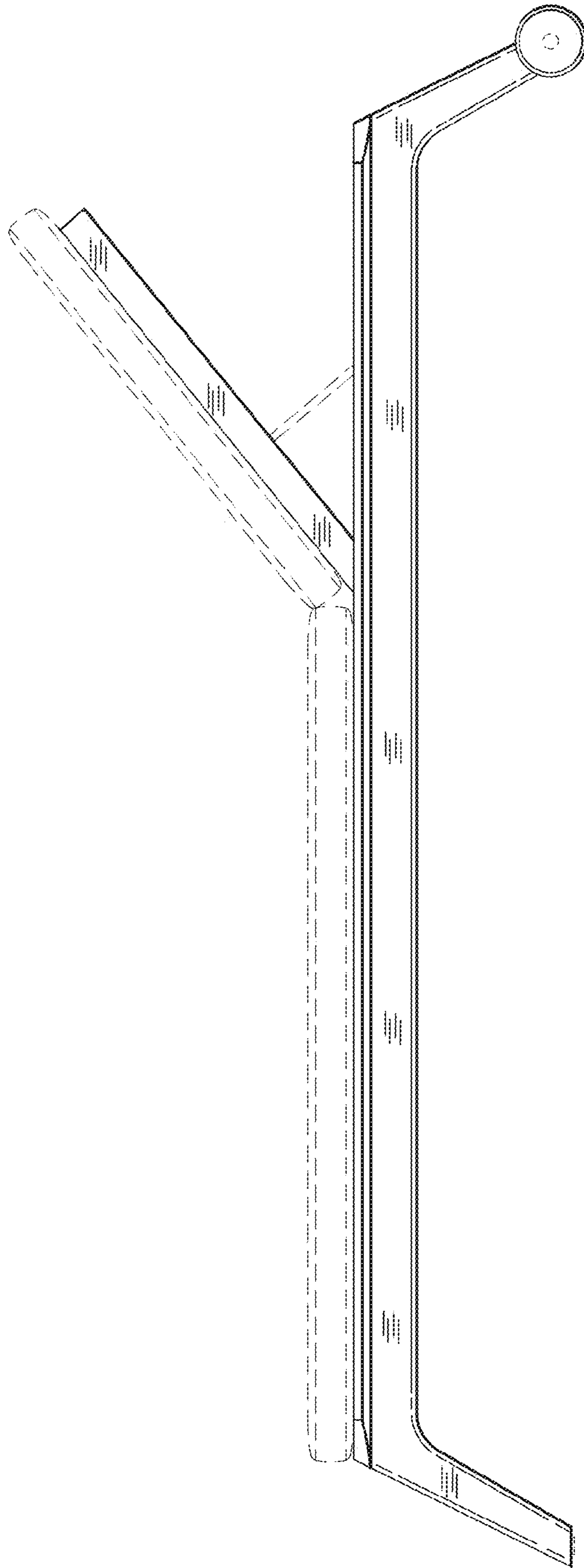


FIG. 5

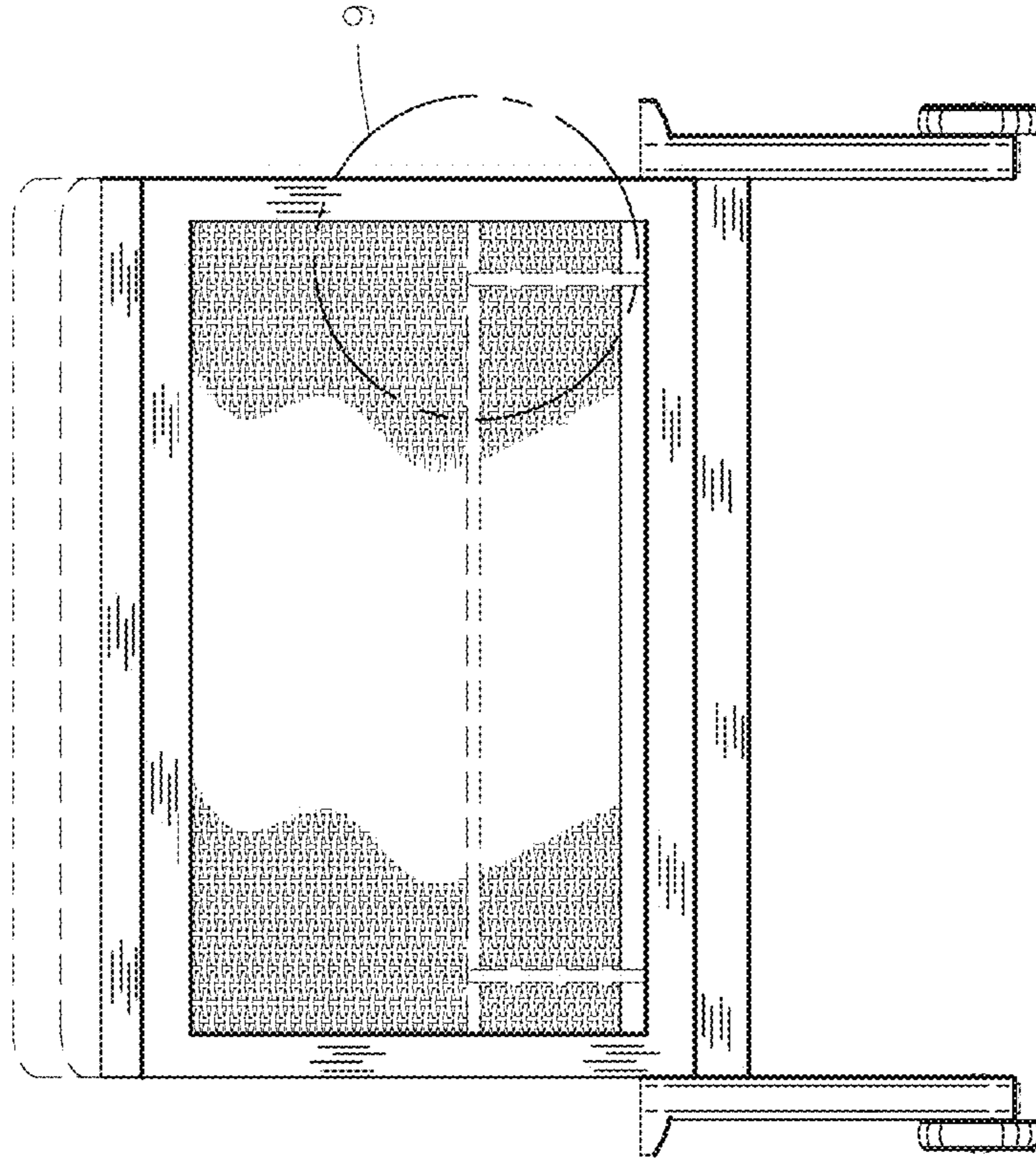


FIG. 4

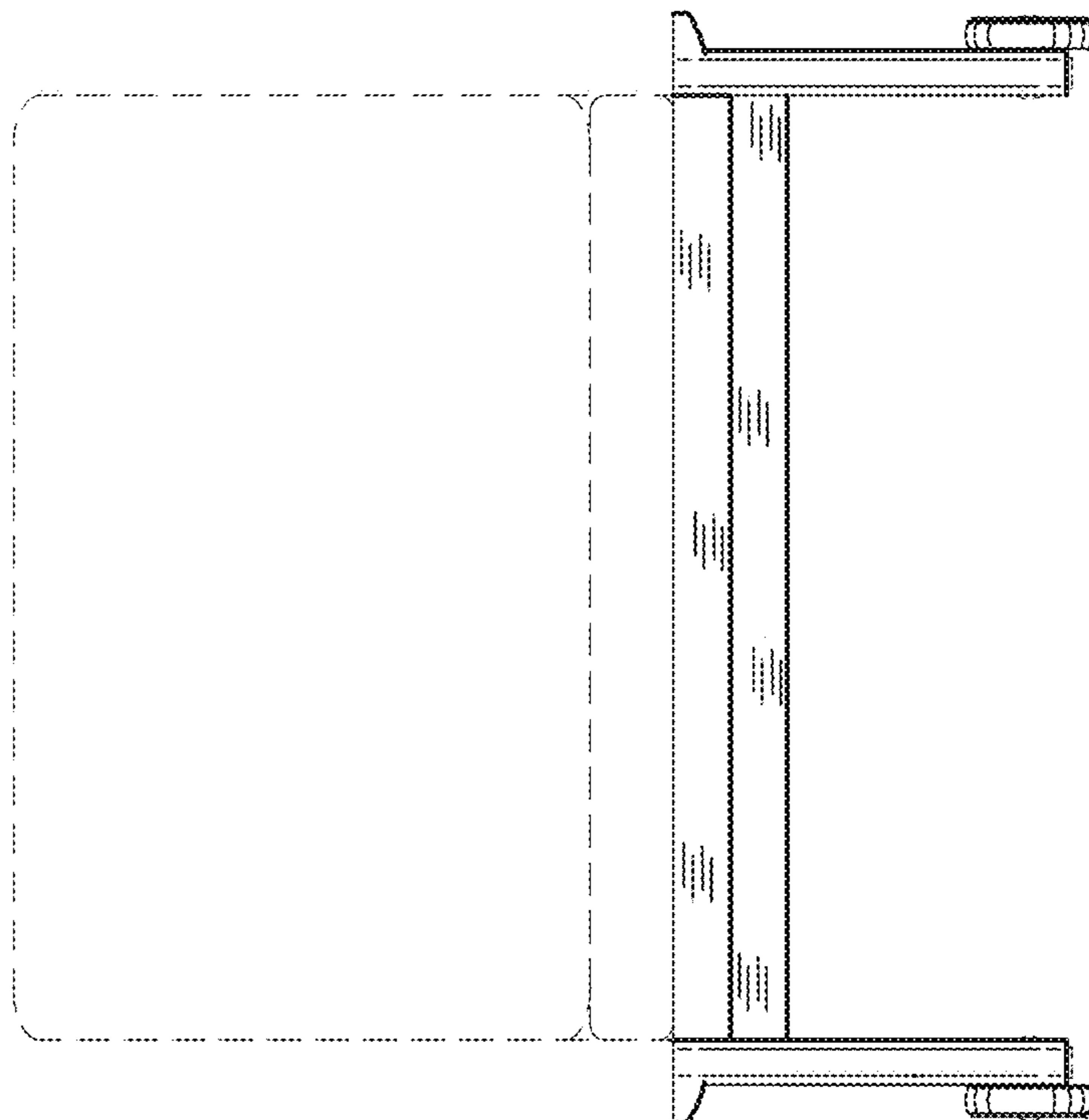


FIG. 6

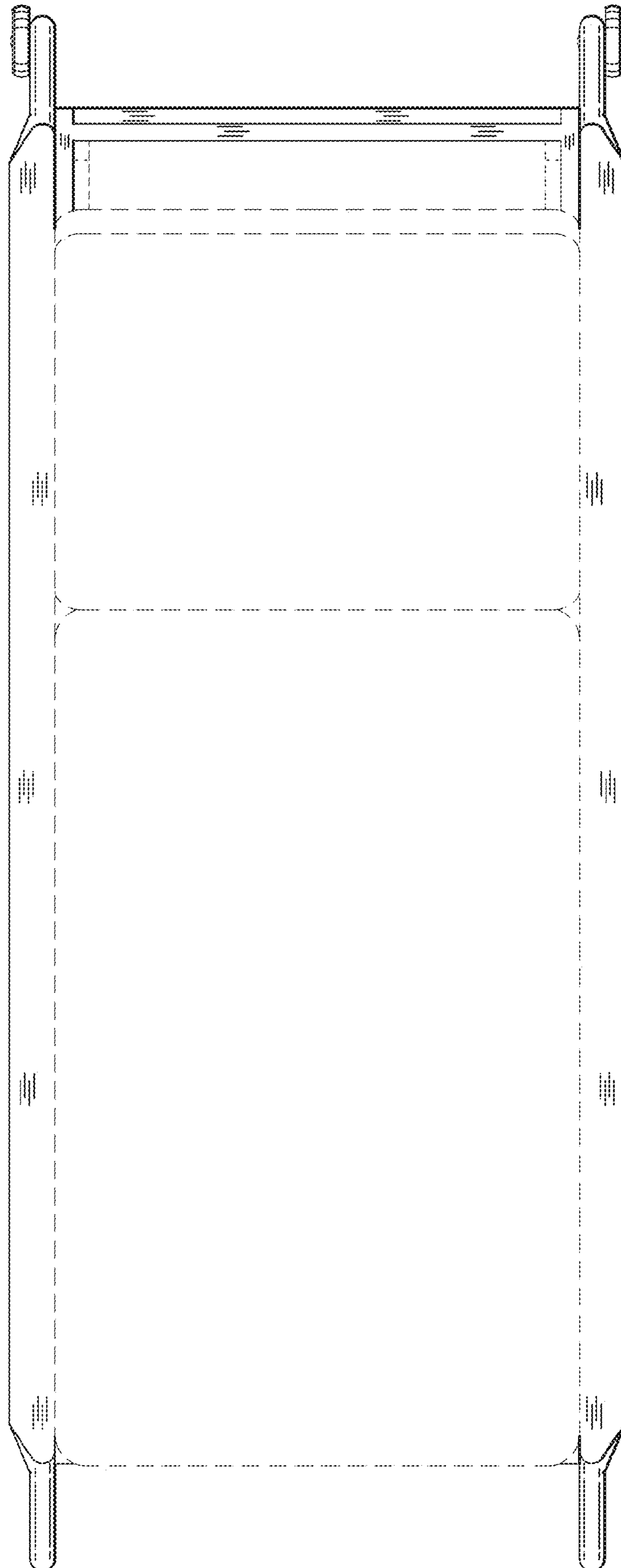


FIG. 7

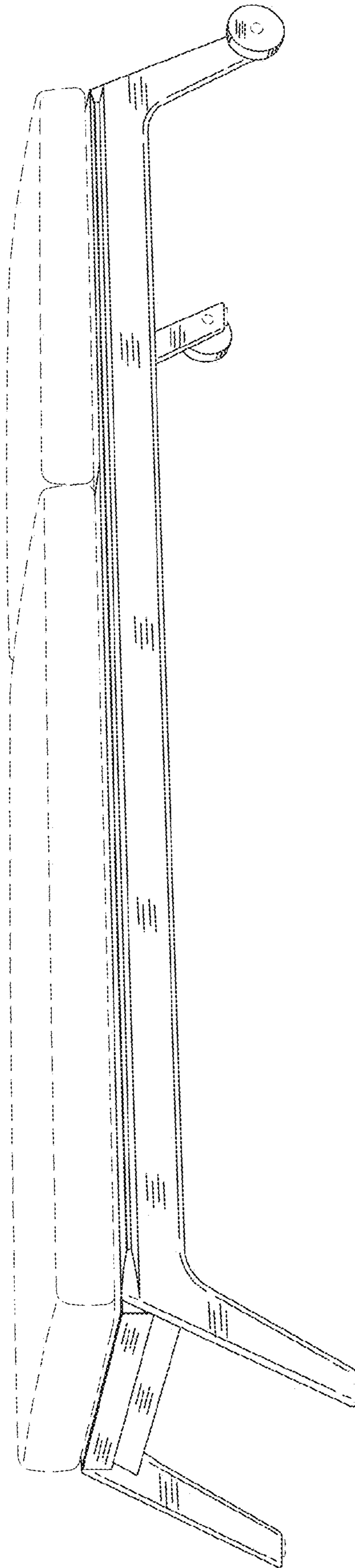


FIG. 9

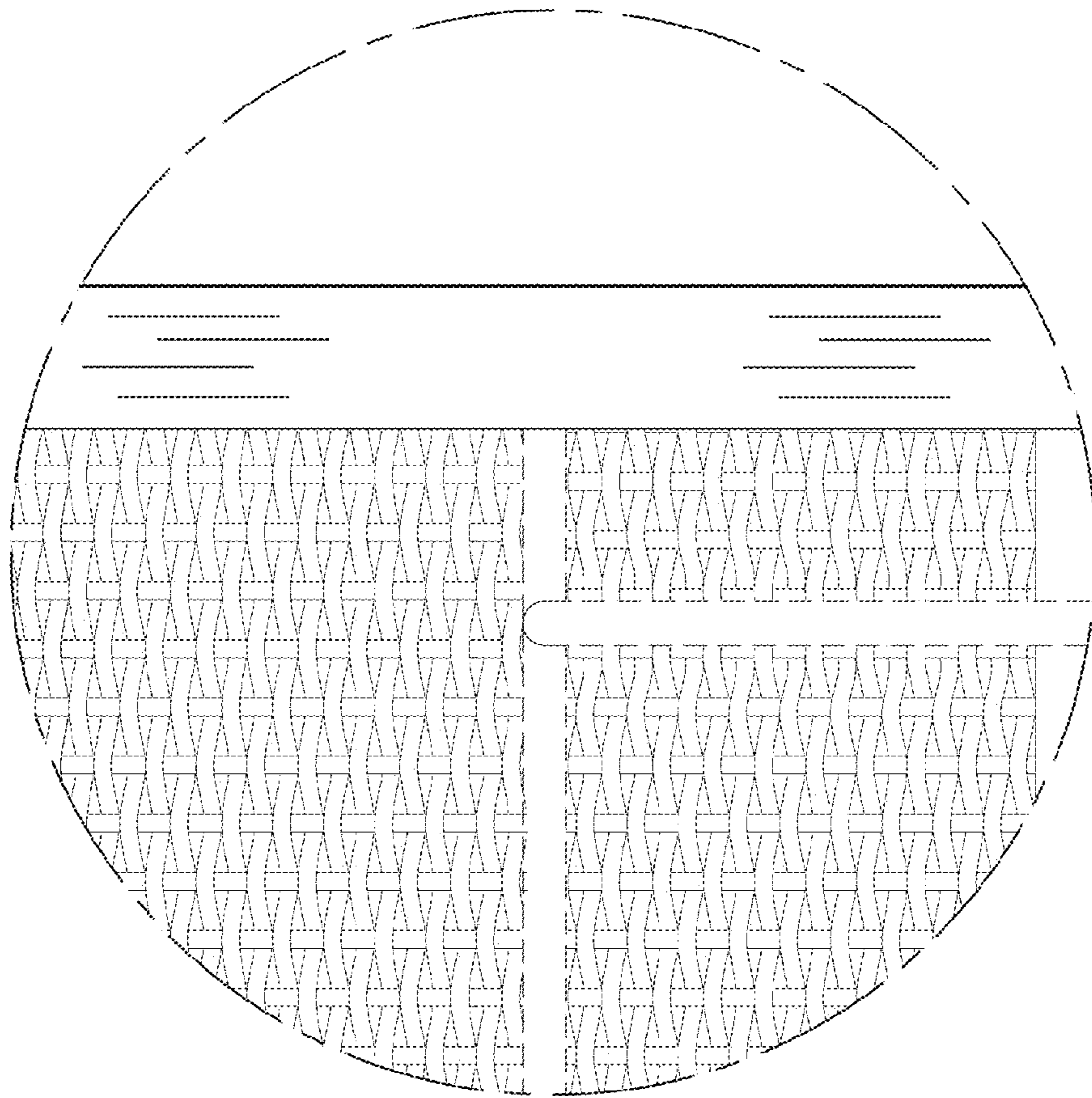


FIG. 8

