



US00D960594S

(12) **United States Design Patent**
Hendifar

(10) **Patent No.:** **US D960,594 S**

(45) **Date of Patent:** **** Aug. 16, 2022**

(54) **CHAISE**

D923,348 S * 6/2021 Xiao D6/361
D939,229 S * 12/2021 Shemer D6/361
D942,167 S * 2/2022 Xiao D6/361

(71) Applicant: **Apparatus LLC**, New York, NY (US)

(72) Inventor: **Gabriel Hendifar**, New York, NY (US)

(73) Assignee: **APPARATUS LLC**, New York, NY (US)

(**) Term: **15 Years**

(21) Appl. No.: **29/652,928**

(22) Filed: **Jan. 13, 2021**

(51) **LOC (13) Cl.** **06-01**

(52) **U.S. Cl.**
USPC **D6/361**

(58) **Field of Classification Search**
USPC D6/360, 361, 367, 368, 369, 370, 382
CPC .. A47C 1/02; A47C 1/028; A47C 1/14; A47C 3/143; A47C 4/04; A47C 4/08; A47C 4/18; A47C 5/02

See application file for complete search history.

(56) **References Cited**

U.S. PATENT DOCUMENTS

D144,677 S * 5/1946 Billet et al. D6/361
2,477,155 A * 7/1949 Vincent, Jr. A47C 1/143
297/371
4,844,540 A * 7/1989 Pegram A47C 21/022
297/229

OTHER PUBLICATIONS

Crate&Barrel. <https://www.crateandbarrel.com/lanai-charcoal-mesh-outdoor-chaise-lounge/s152106>. "Lanai Charcoal Mesh Outdoor Chaise Lounge". Date Unknown: Viewed May 2022 (Year: 2022).*

* cited by examiner

Primary Examiner — R. Johnson

(74) *Attorney, Agent, or Firm* — Gottlieb, Rackman & Reisman, P.C.

(57) **CLAIM**

The ornamental design for a chaise, as shown and described.

DESCRIPTION

FIG. 1 is a front top perspective view of a chaise showing my new design;

FIG. 2 is a left side elevational view of FIG. 1;

FIG. 3 is a right side elevational view of FIG. 1;

FIG. 4 is a front elevational view of FIG. 1;

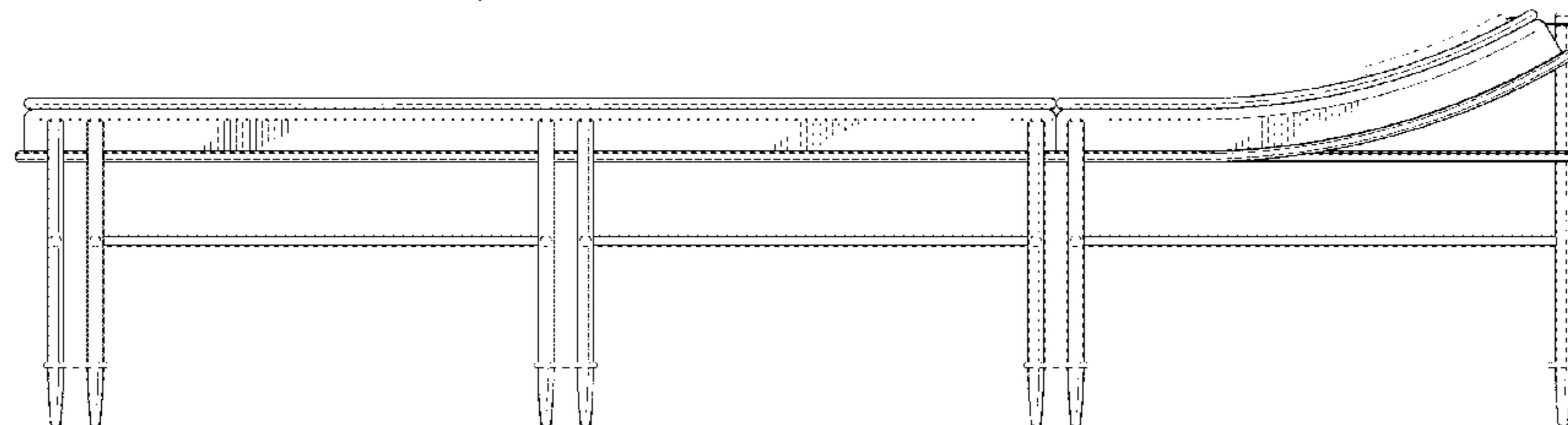
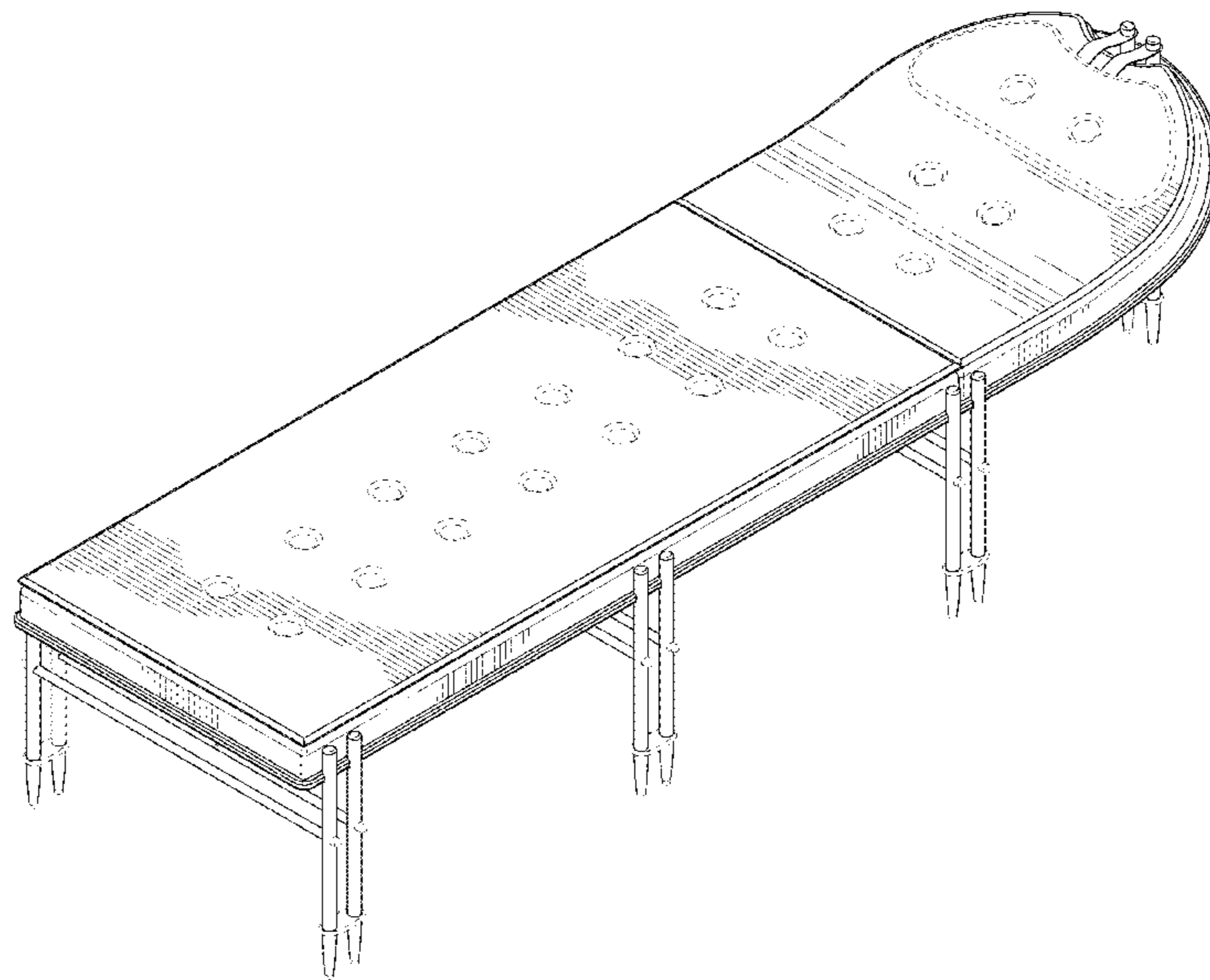
FIG. 5 is a rear elevational view of FIG. 1;

FIG. 6 is a top plan view of FIG. 1; and,

FIG. 7 is a bottom plan view of FIG. 1.

The broken lines shown in the drawings are included for the purpose of illustrating elements of the chaise that form no part of the claimed design.

1 Claim, 6 Drawing Sheets



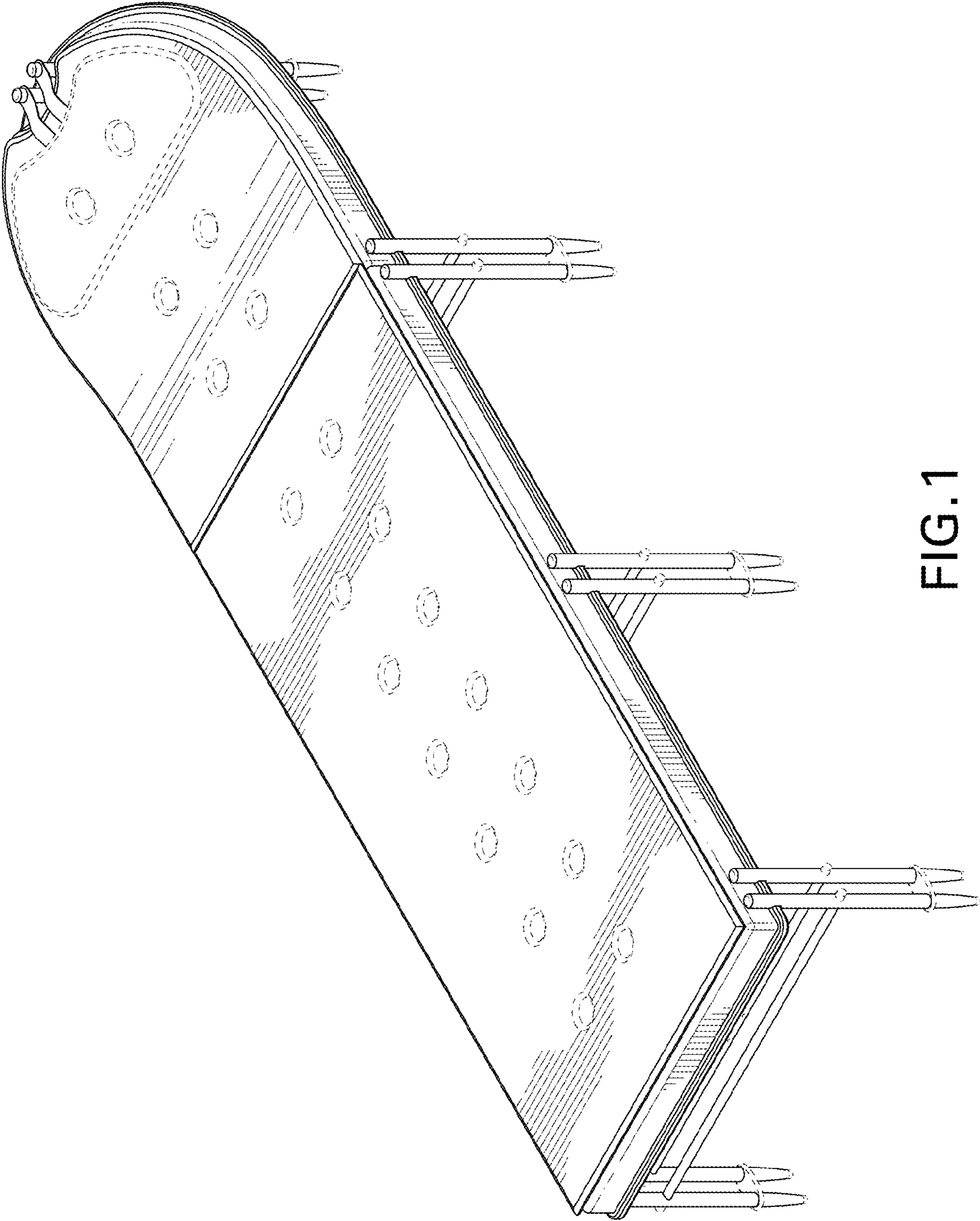


FIG. 1

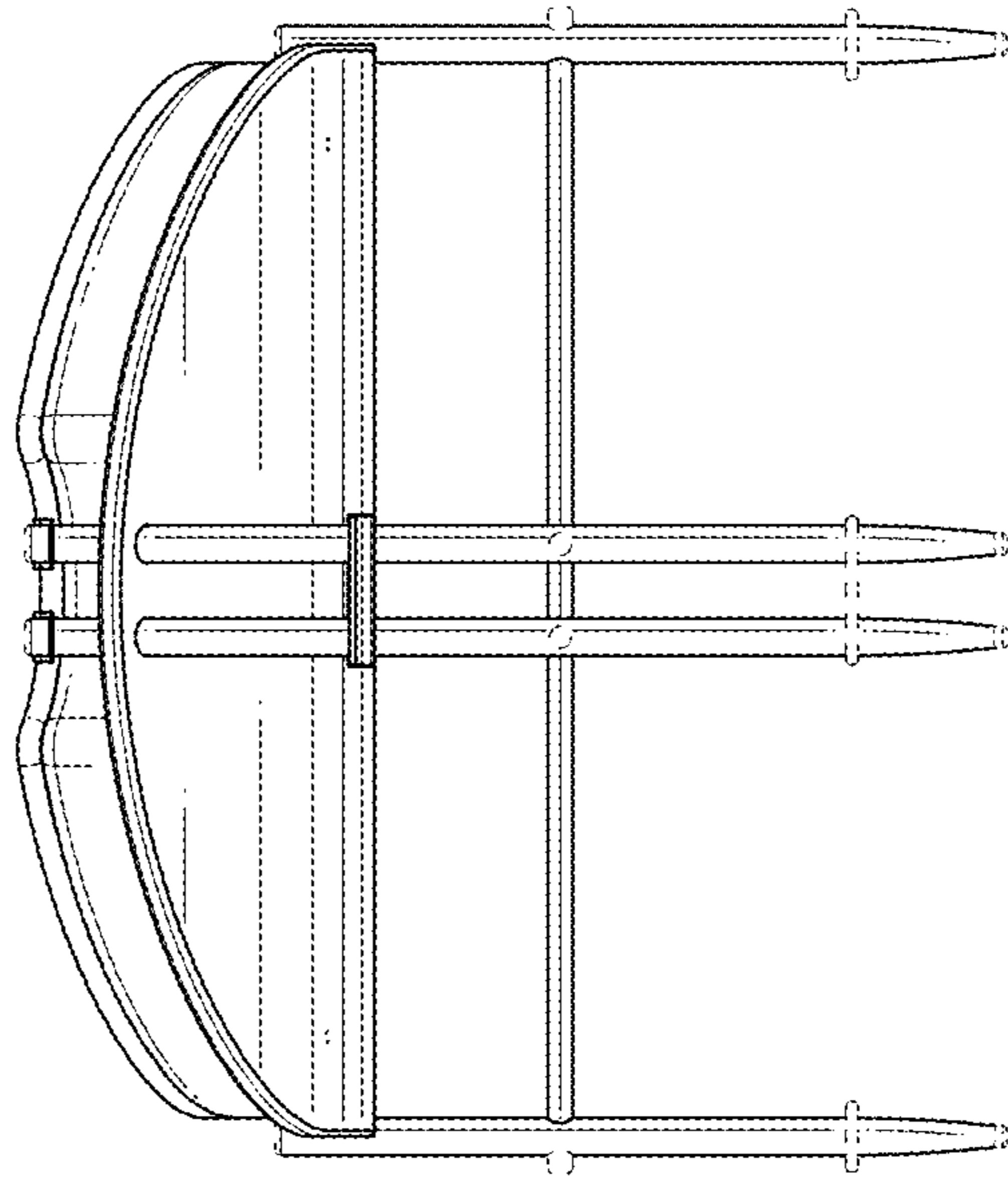


FIG. 3

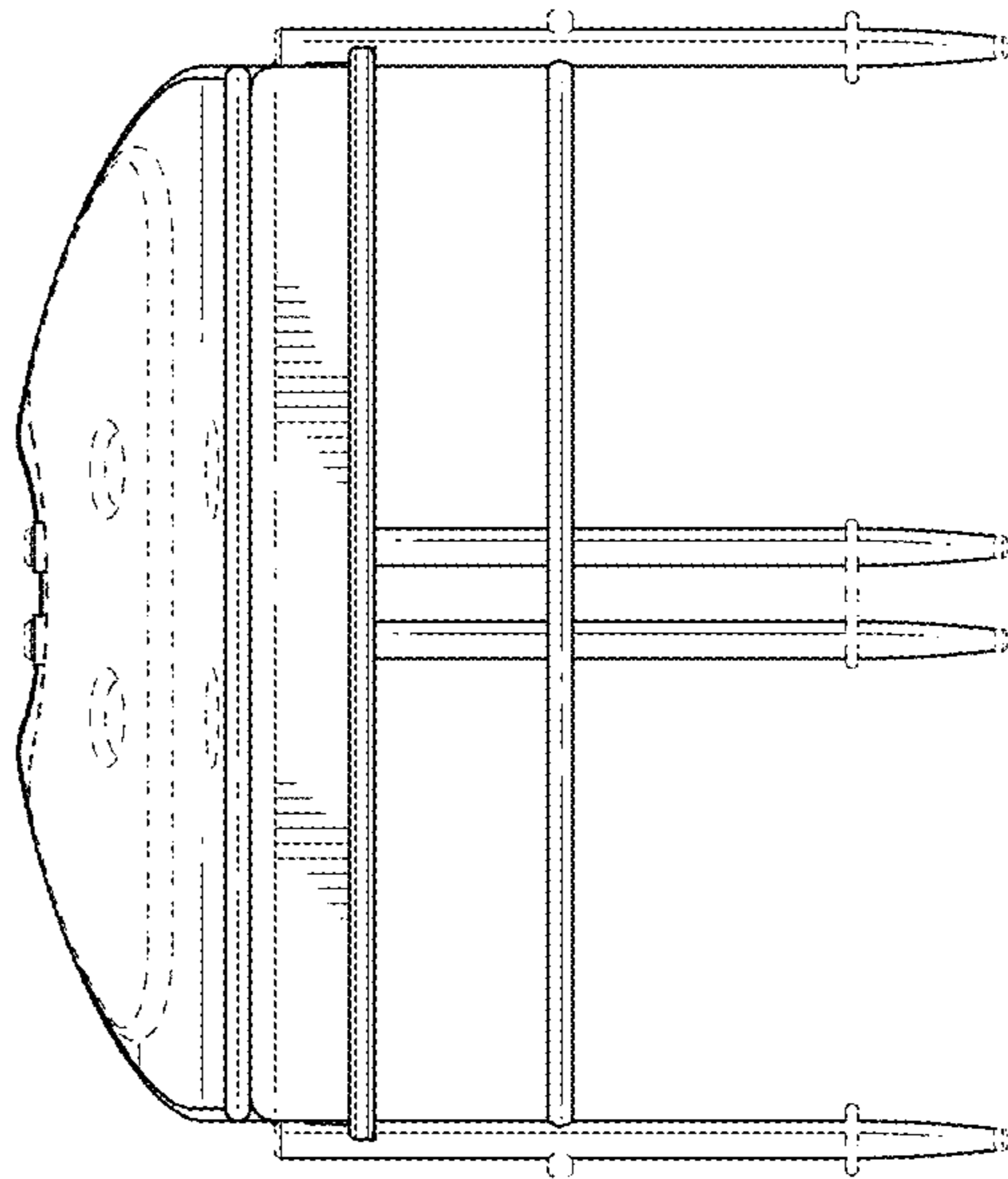


FIG. 2

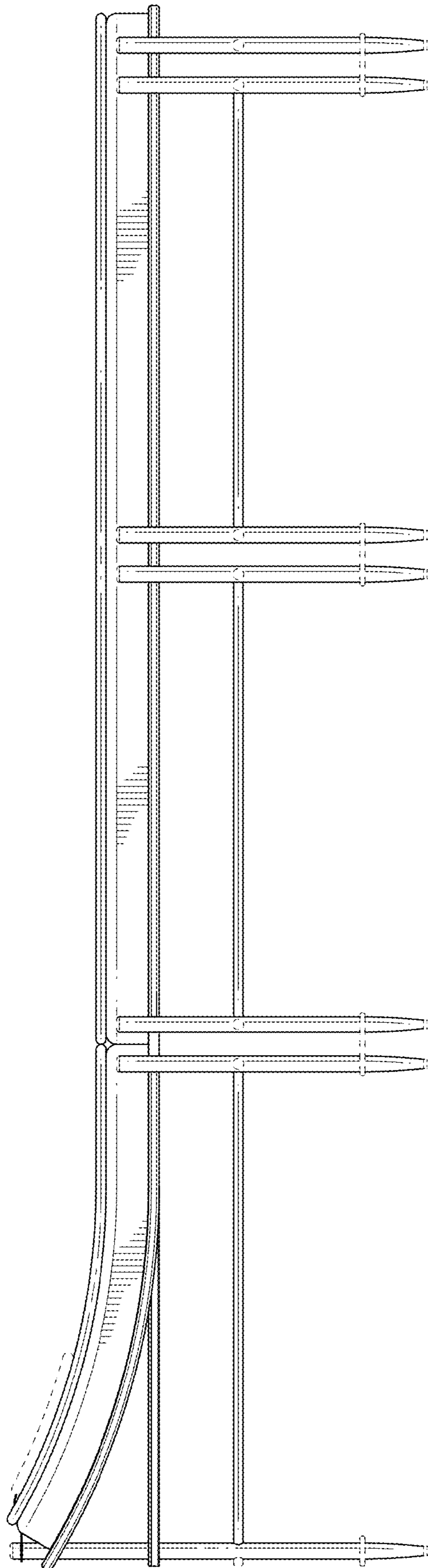


FIG.4

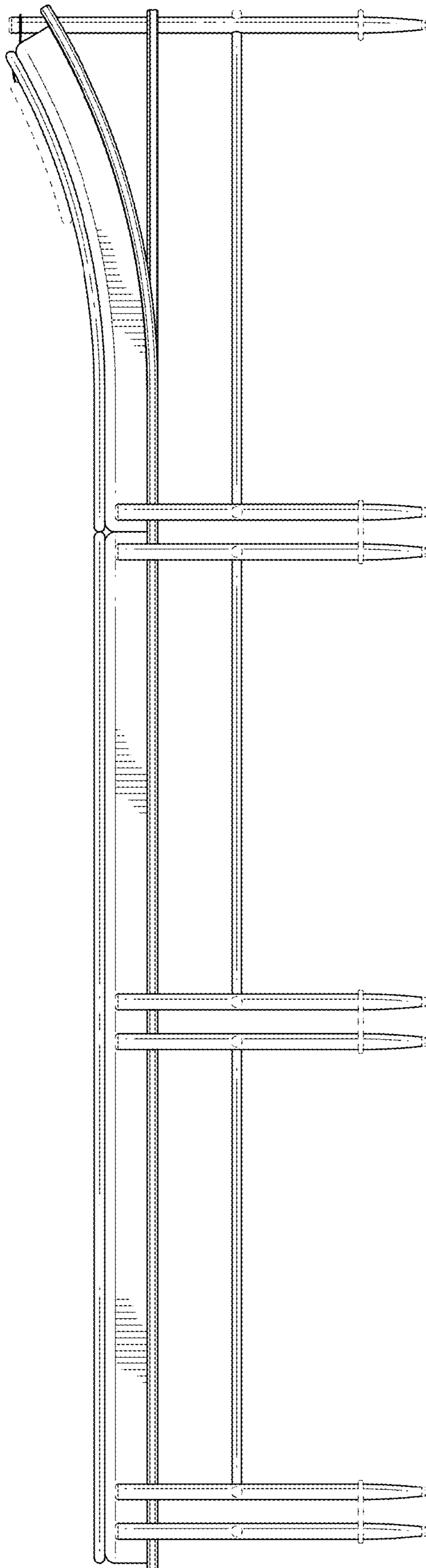


FIG. 5

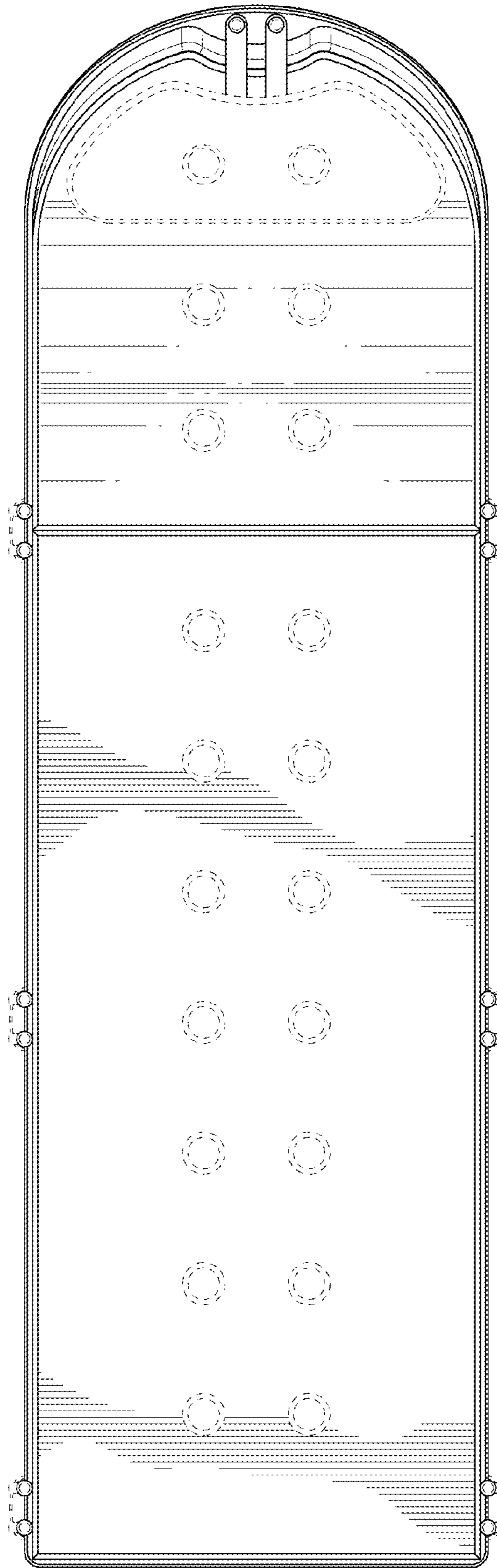


FIG.6

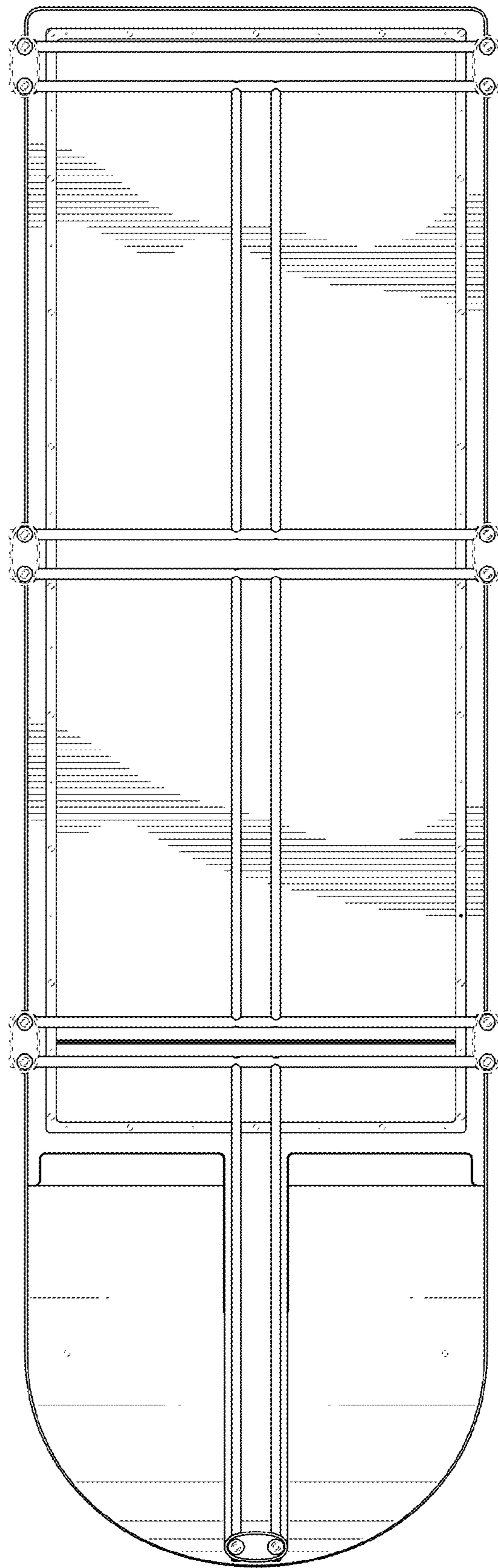


FIG. 7