



US00D960592S

(12) **United States Design Patent**
Nyzovyi

(10) **Patent No.: US D960,592 S**

(45) **Date of Patent: ** Aug. 16, 2022**

(54) **CONVERTIBLE STEP STOOL**

(71) Applicant: **Roman Nyzovyi**, m. Zaporizhzhia (UA)

(72) Inventor: **Roman Nyzovyi**, m. Zaporizhzhia (UA)

(**) Term: **15 Years**

(21) Appl. No.: **35/511,116**

(22) Filed: **Nov. 23, 2020**

(80) **Hague Agreement Data**

Int. Filing Date: **Nov. 23, 2020**

Int. Reg. No.: **DM/212074**

Int. Reg. Date: **Nov. 23, 2020**

Int. Reg. Pub. Date: **Jan. 15, 2021**

(30) **Foreign Application Priority Data**

May 29, 2020 (GB) UAS202000843

(51) **LOC (13) Cl.** **03-01**

(52) **U.S. Cl.**
USPC **D6/338**

(58) **Field of Classification Search**

USPC D6/329, 334-336, 338, 350, 353, 367,
D6/368; D25/65

CPC A47B 39/00; A47B 39/02; A47B 85/00;
A47B 85/04; A47C 9/00; A47C 12/00;
A47C 12/02; A47C 13/00; A47D 1/00;
A47D 1/002; A47D 1/008; A47D 11/00

See application file for complete search history.

(56) **References Cited**

U.S. PATENT DOCUMENTS

3,530,954 A * 9/1970 Schmidt A47C 12/02
297/118

D251,640 S * 4/1979 Hindman D6/338

D280,870 S * 10/1985 Eisen D6/338

D834,843 S * 12/2018 Riekstina-Snore D6/350
D907,379 S * 1/2021 Pankratz A47C 12/02
D6/350
D929,138 S * 8/2021 Mežkats D6/350

OTHER PUBLICATIONS

Kitchen stool Kitchen chair Kids step stool—Pinkoi <https://en.pinkoi.com/product/EWt4igCA> retrieved from the internet on Mar. 3, 2022.*

Convertible learning helper tower & table—Etsy <https://www.etsy.com/ie/listing/816576531/convertible-learning-helper-tower-table> retrieved from the internet on Mar. 3, 2022.*

WishaLife Kitchen Step Stool and Table—Amazon, date first available Nov. 18, 2020 https://www.amazon.com/WishaLife-Kitchen-Stool-Deformed-Little/dp/B08NT4X858/ref=pd_lpo_1?pd_rd_i=B08NT4X858&psc=1 retrieved from the internet on Mar. 3, 2022.*

* cited by examiner

Primary Examiner — Mary Ann Calabrese

(57) **CLAIM**

The ornamental design for a convertible step stool, as shown and described.

DESCRIPTION

1. Convertible step stool

1.1 : Front, right side perspective view in folded state

1.2 : Rear, right side perspective view in folded state

1.3 : Right side perspective view in folded state

1.4 : Left side perspective view in folded state

1.5 : Front perspective view in folded state

1.6 : Back perspective view in folded state

1.7 : Front, right side perspective view in partially folded state

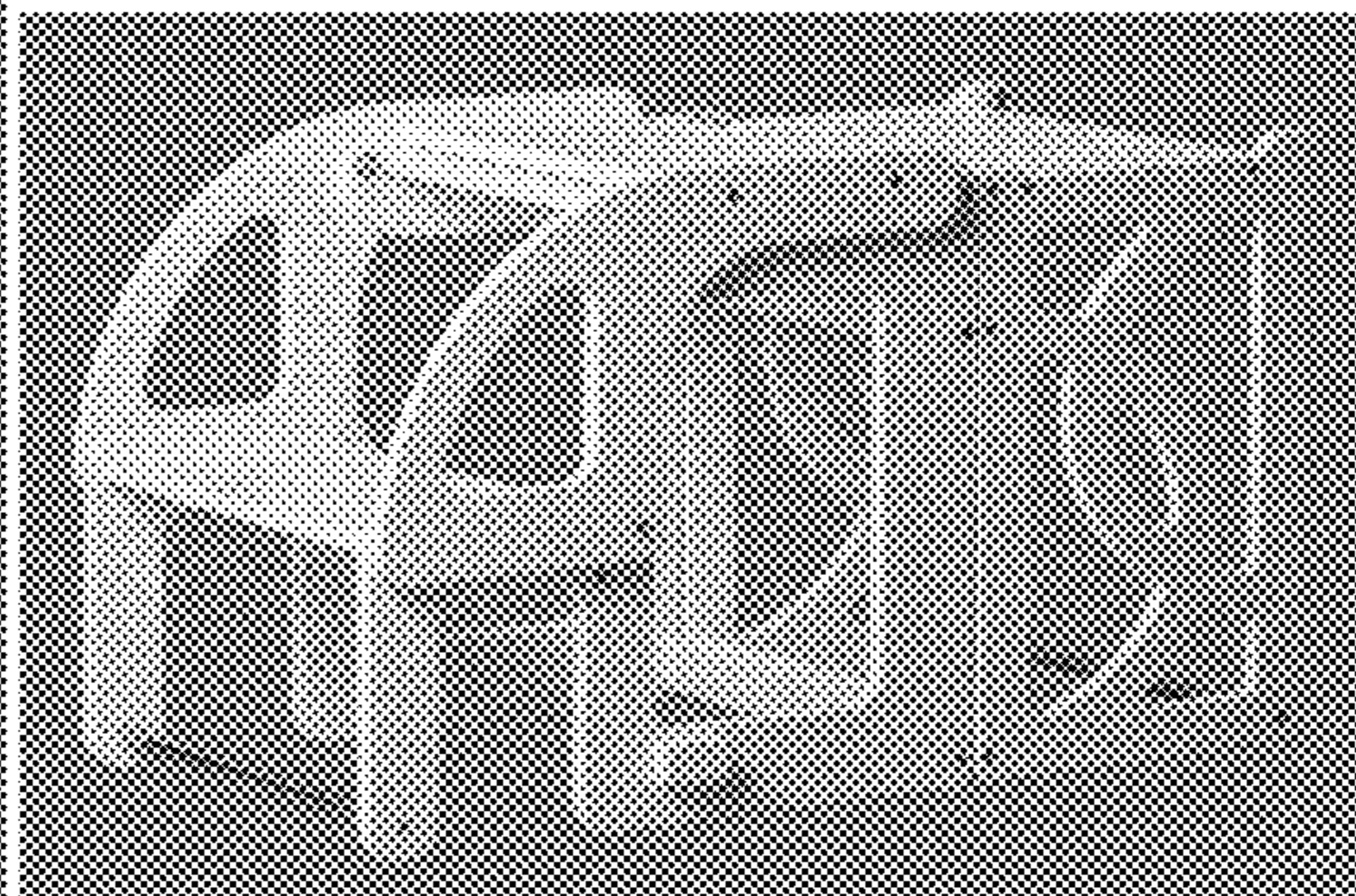
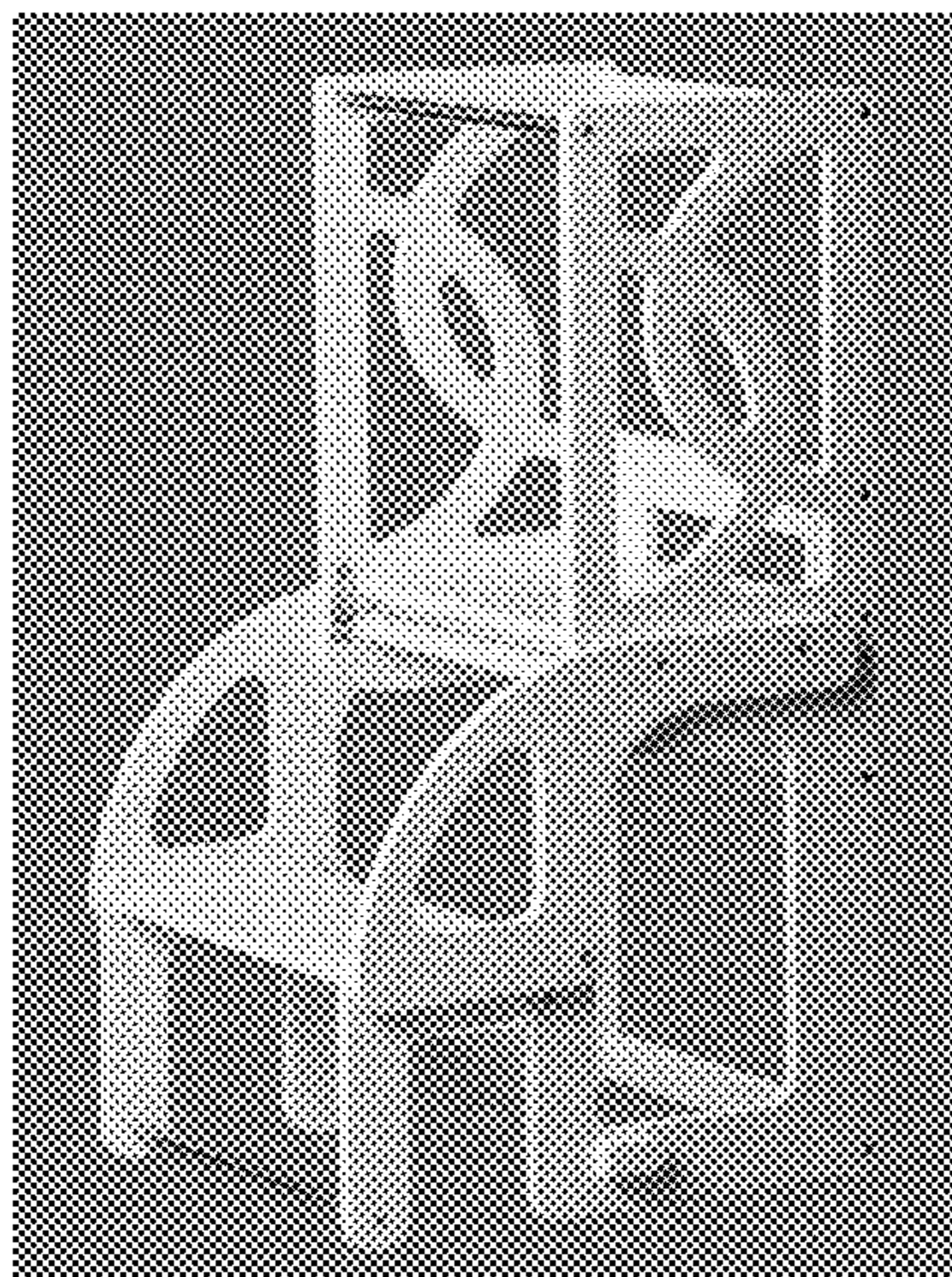
1.8 : Rear, right side perspective view in unfolded state

1.9 : Top, front perspective view in unfolded state

1.10 : Right perspective view in unfolded state

1.11 : Left perspective view in unfolded state

1 Claim, 11 Drawing Sheets



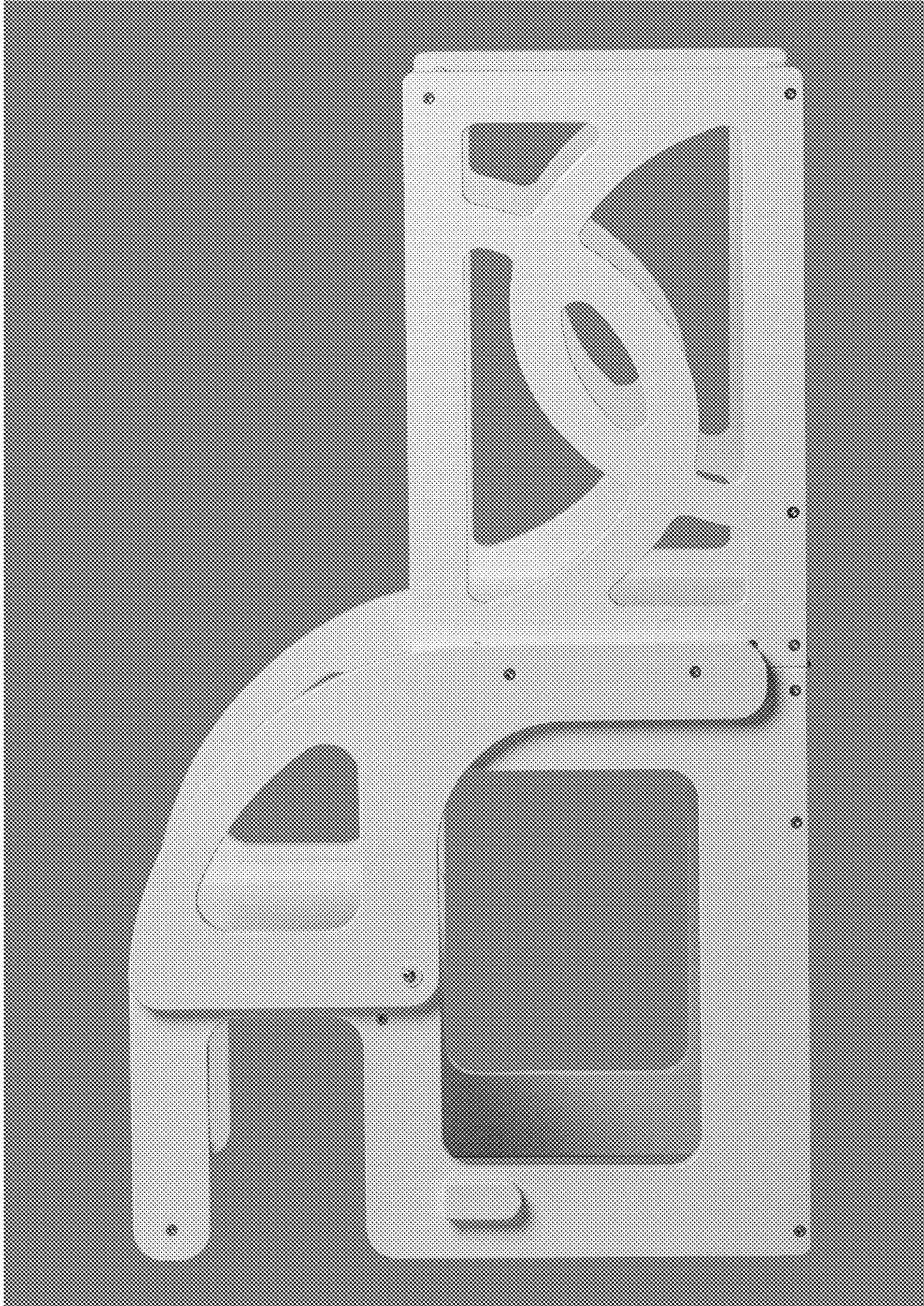
1.1



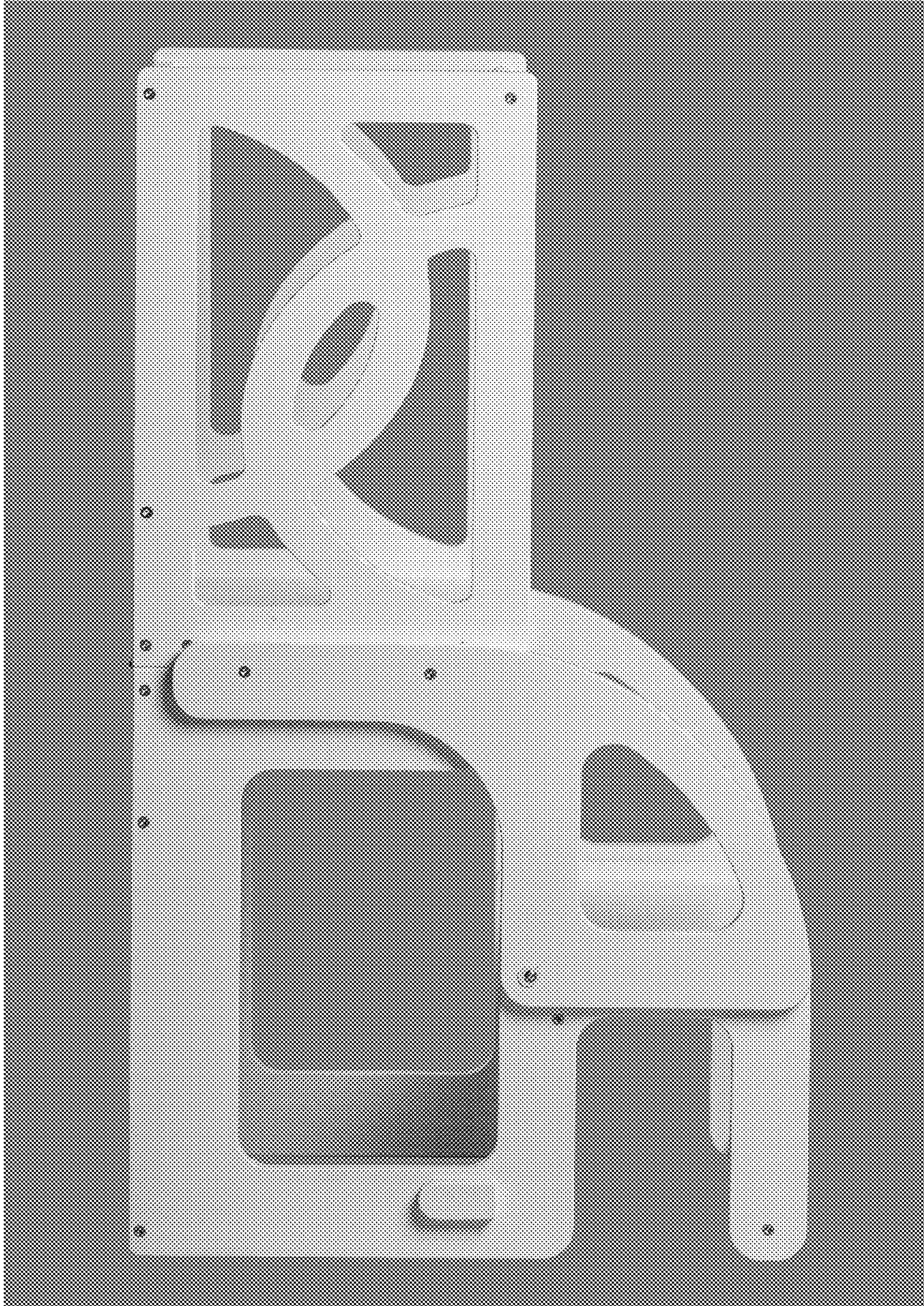
1.2



1.3



1.4



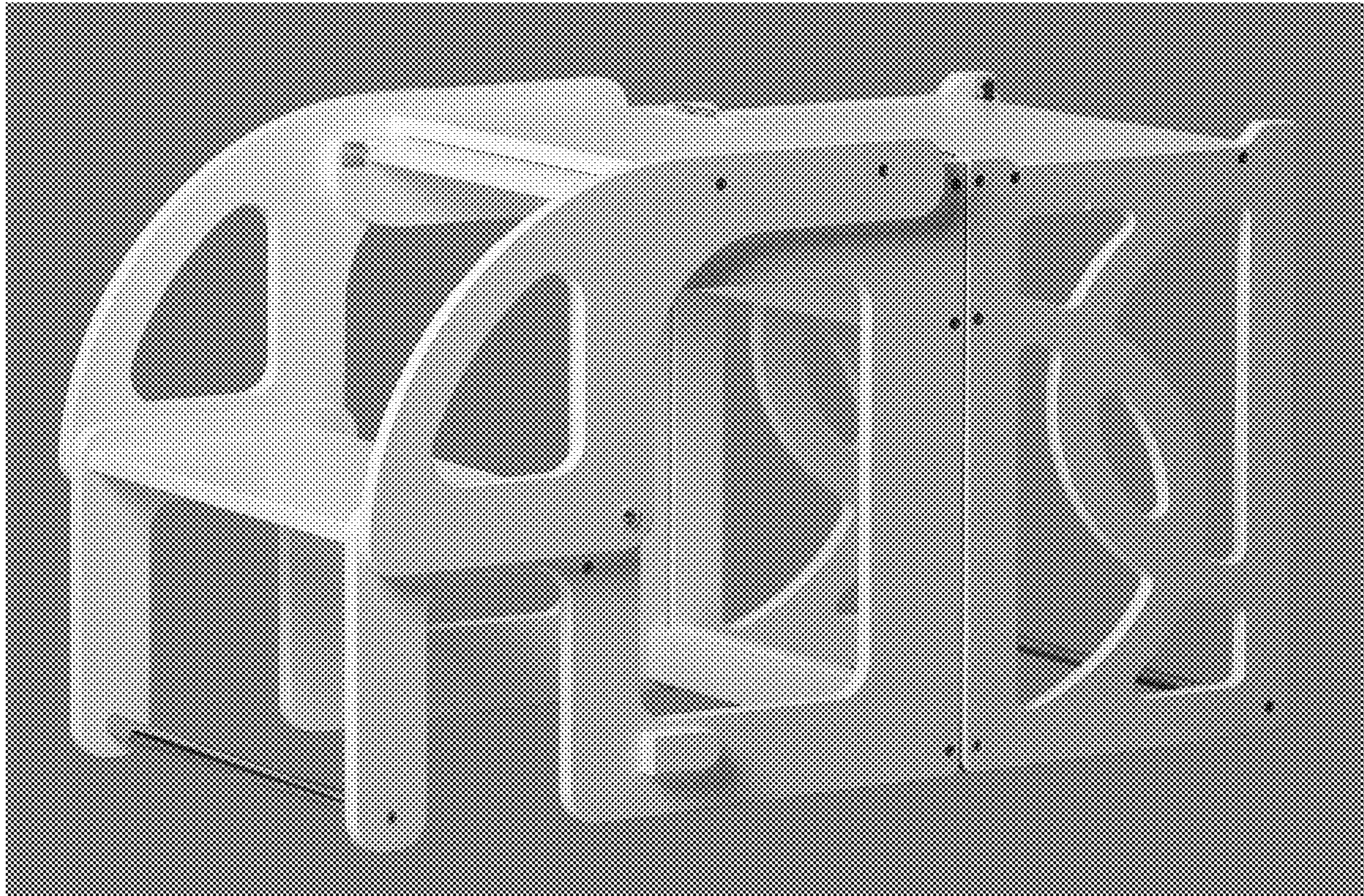
1.5



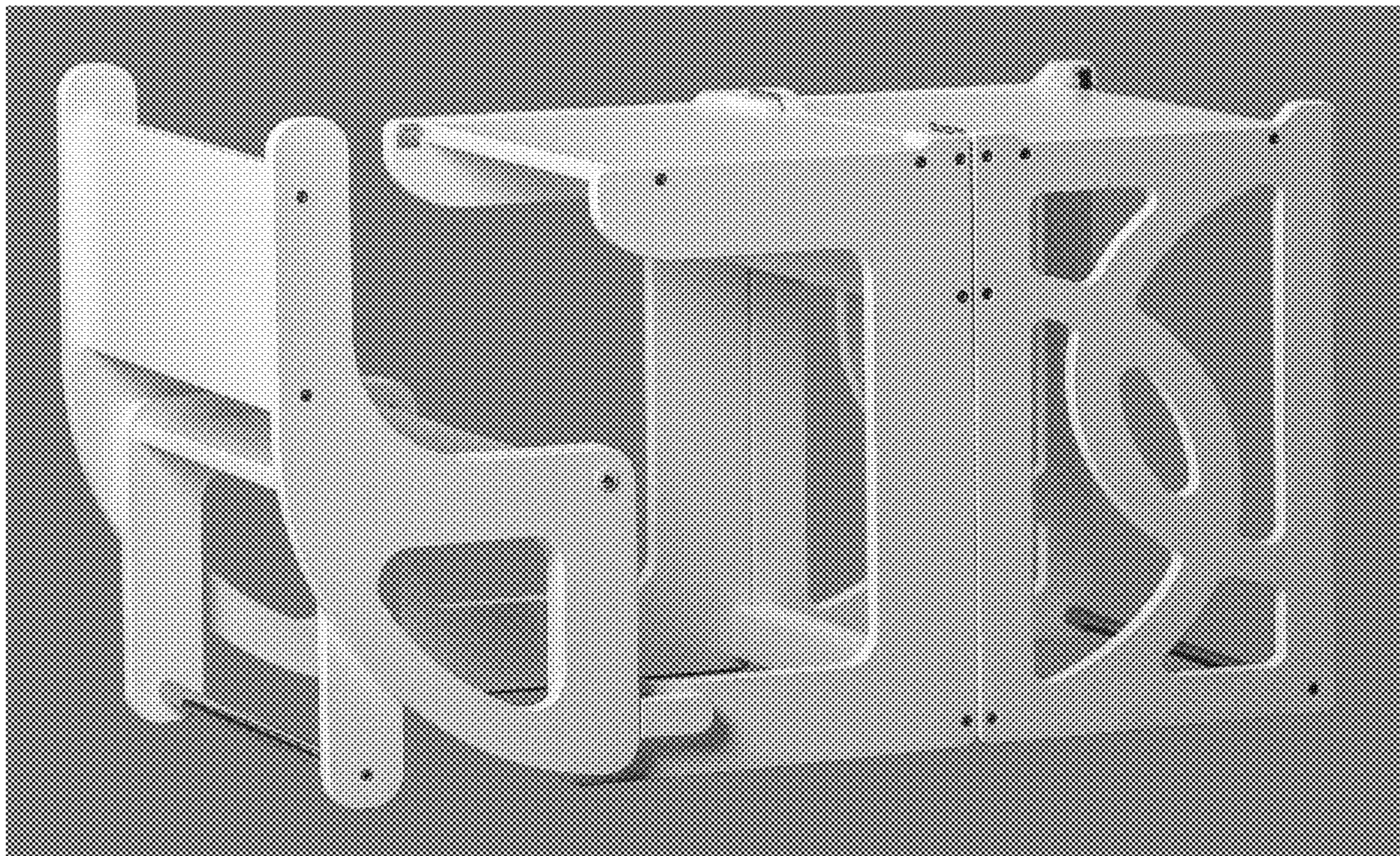
1.6



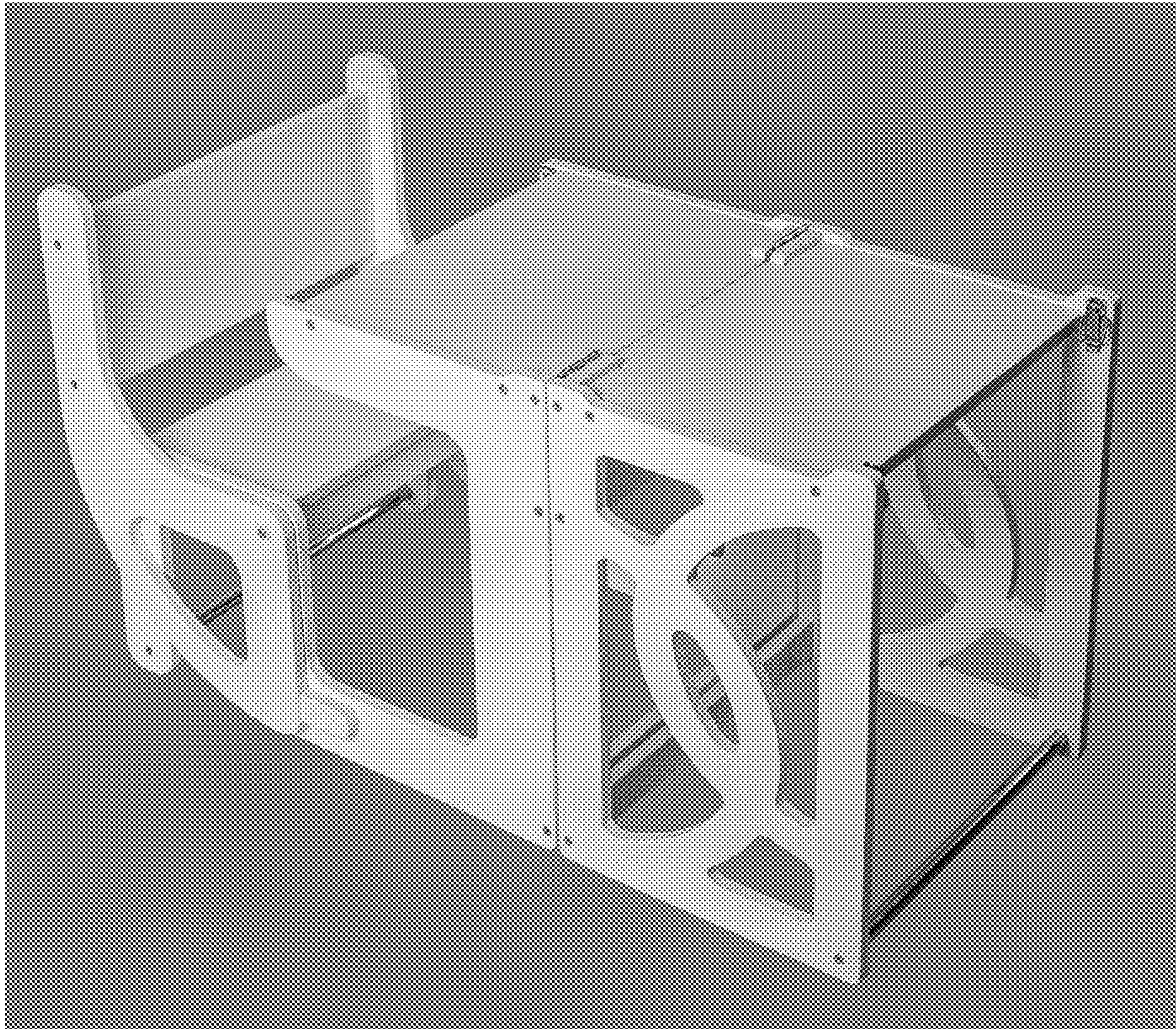
1.7



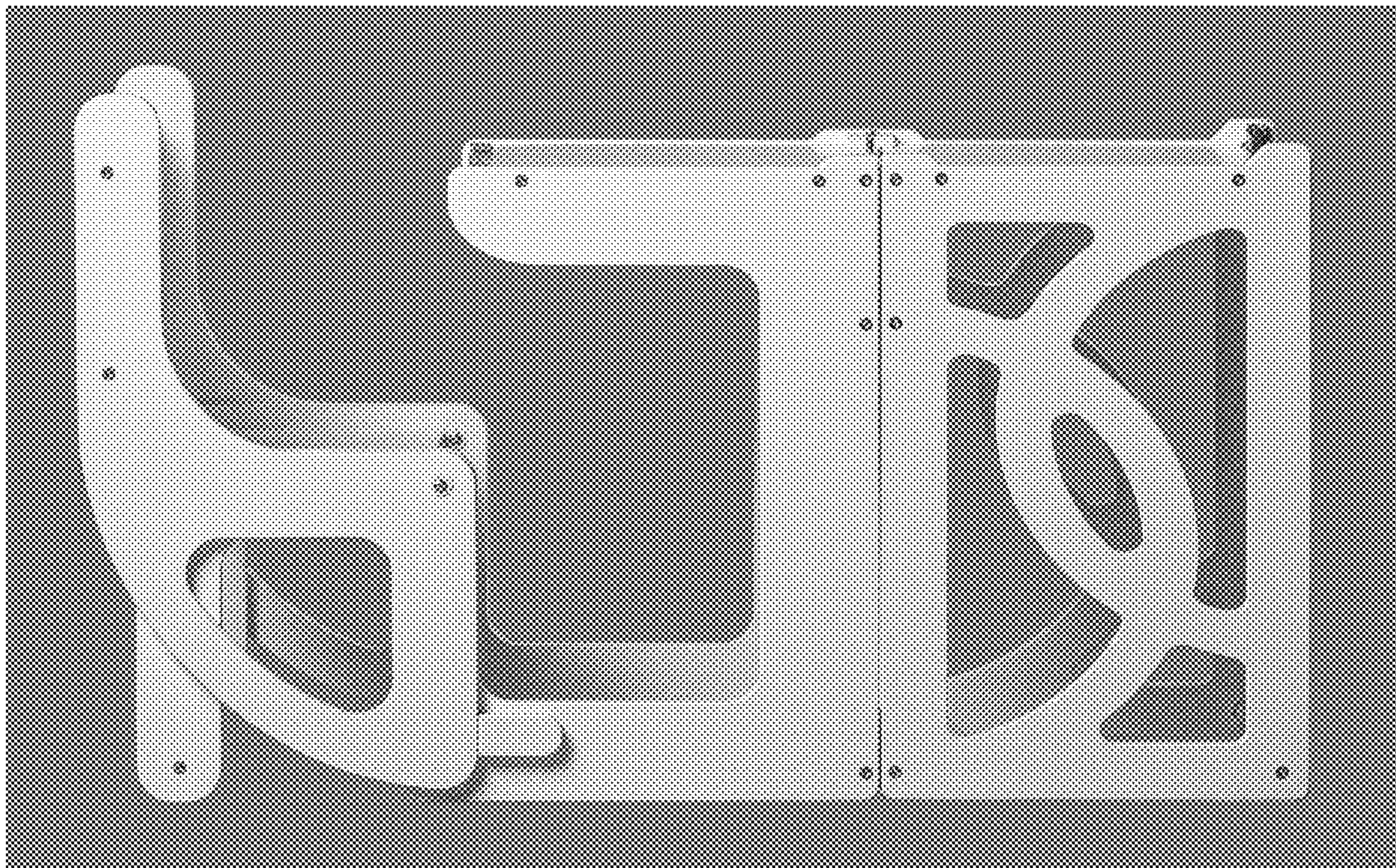
1.8



1.9



1.10



1.11

