



US00D960586S

(12) **United States Design Patent** (10) **Patent No.:** **US D960,586 S**
Rennette et al. (45) **Date of Patent:** **** Aug. 16, 2022**

(54) **HAIR BRUSH**
(71) Applicant: **Olivia Garden International Inc.,**
Walnut Creek, CA (US)
(72) Inventors: **Jean Rennette,** Walnut Creek, CA
(US); **Sang Won Park,** Seoul (KR)
(73) Assignee: **Olivia Garden International Inc.,**
Walnut Creek, CA (US)
(**) Term: **15 Years**
(21) Appl. No.: **29/815,410**
(22) Filed: **Nov. 12, 2021**
(51) **LOC (13) Cl.** **04-02**
(52) **U.S. Cl.**
USPC **D4/128**
(58) **Field of Classification Search**
USPC D4/128, 129, 131, 136, 138, 108, 109,
D4/119; D32/35, 51; 15/104.5, 104.16,
15/104.2, 104.31, 104.32, 164, 165, 206;
D28/65; D7/682; 452/298, 458
CPC A46B 2200/10; A46B 2200/104;
A45D 2/10; A45D 1/00; A46D 1/003;
A46D 3/087
See application file for complete search history.

D730,061 S 5/2015 Rennette
D739,660 S 9/2015 Rennette
D749,326 S 2/2016 Rennette
D759,477 S 6/2016 Rennette
D762,069 S 7/2016 Rennette
D766,588 S 9/2016 Rennette
D775,839 S 1/2017 Rennette
D782,829 S 4/2017 Park
D798,607 S 10/2017 Park
D801,701 S 11/2017 Rennette
D807,646 S 1/2018 Rennette
D823,005 S * 7/2018 Kuo D4/128
10,028,574 B2 7/2018 Rennette
D846,887 S * 4/2019 Treeby D4/133
D856,683 S 8/2019 Rennette
D867,869 S 11/2019 Rennette
D879,476 S 3/2020 Rennette
10,602,835 B2 3/2020 Rennette

(Continued)

FOREIGN PATENT DOCUMENTS

KR 3010679950000 7/2020
KR 3011101440000 5/2021

Primary Examiner — Austin Murphy
(74) *Attorney, Agent, or Firm* — Volk & McElroy, LLP;
Michael D. Volk, Jr.

(57) **CLAIM**

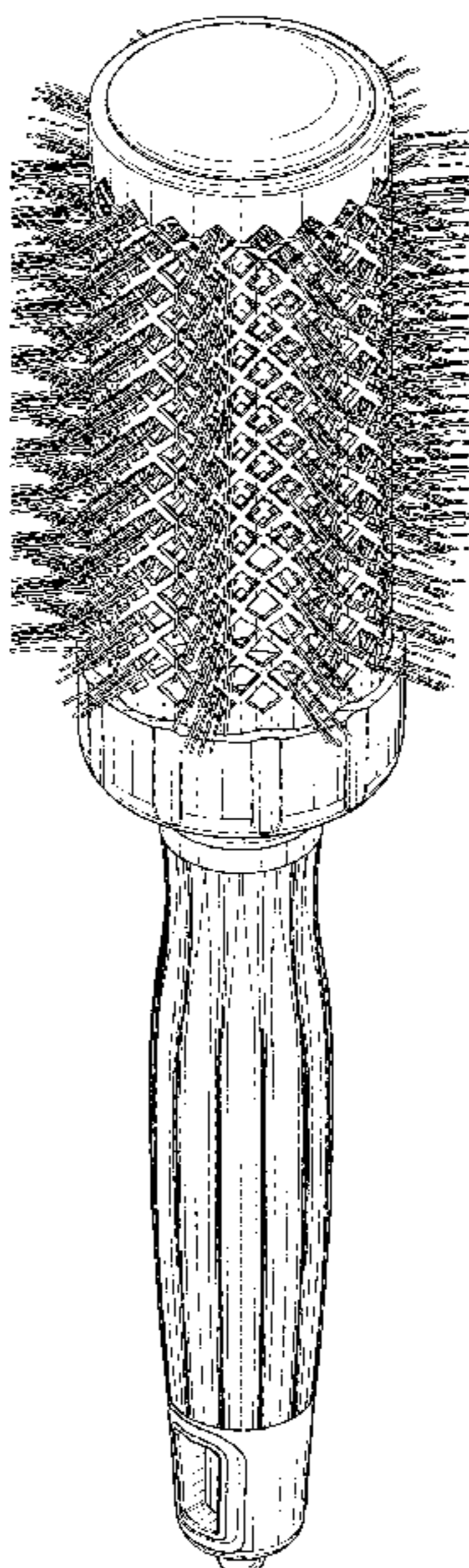
The ornamental design for a hair brush, as shown.

DESCRIPTION

FIG. 1 is a perspective view of a hair brush showing my new design.
FIG. 2 is a front view thereof.
FIG. 3 is a back view thereof.
FIG. 4 is a right side view thereof.
FIG. 5 is a left side view thereof.
FIG. 6 is a top view thereof; and,
FIG. 7 is a bottom view thereof.

1 Claim, 4 Drawing Sheets

(56) **References Cited**
U.S. PATENT DOCUMENTS
D555,907 S 11/2007 Rennette
D573,755 S 7/2008 Rennette
D621,163 S 8/2010 Rennette
D624,321 S 9/2010 Rennette
D627,568 S 11/2010 Rennette
D644,440 S 9/2011 Rennette
D646,488 S 10/2011 Rennette
D648,540 S 11/2011 Rennette
D684,373 S 6/2013 Rennette
D730,060 S 5/2015 Rennette



(56)

References Cited

U.S. PATENT DOCUMENTS

D884,360	S	*	5/2020	Hou	D4/128
D895,981	S		9/2020	Rennette et al.	
D905,970	S		12/2020	Rennette	
D911,717	S		3/2021	Rennette	
D916,468	S	*	4/2021	Rennette	D4/128
D919,976	S		5/2021	Rennette	
D919,977	S		5/2021	Rennette	
D928,514	S	*	8/2021	Rennette	D4/128
D929,132	S	*	8/2021	Hinds	D4/128
D930,992	S	*	9/2021	Hinds	D4/128
D935,197	S		11/2021	Rennette	
D939,836	S	*	1/2022	Buzan	D4/128
D941,033	S	*	1/2022	Hinds	D4/128
D941,526	S	*	1/2022	Hillebrecht	D28/35
D943,287	S	*	2/2022	Rennette	D4/128
D944,534	S	*	3/2022	Hinds	D4/128
2016/0353855	A1		12/2016	Rennette	
2019/0142148	A1		5/2019	Rennette	

* cited by examiner

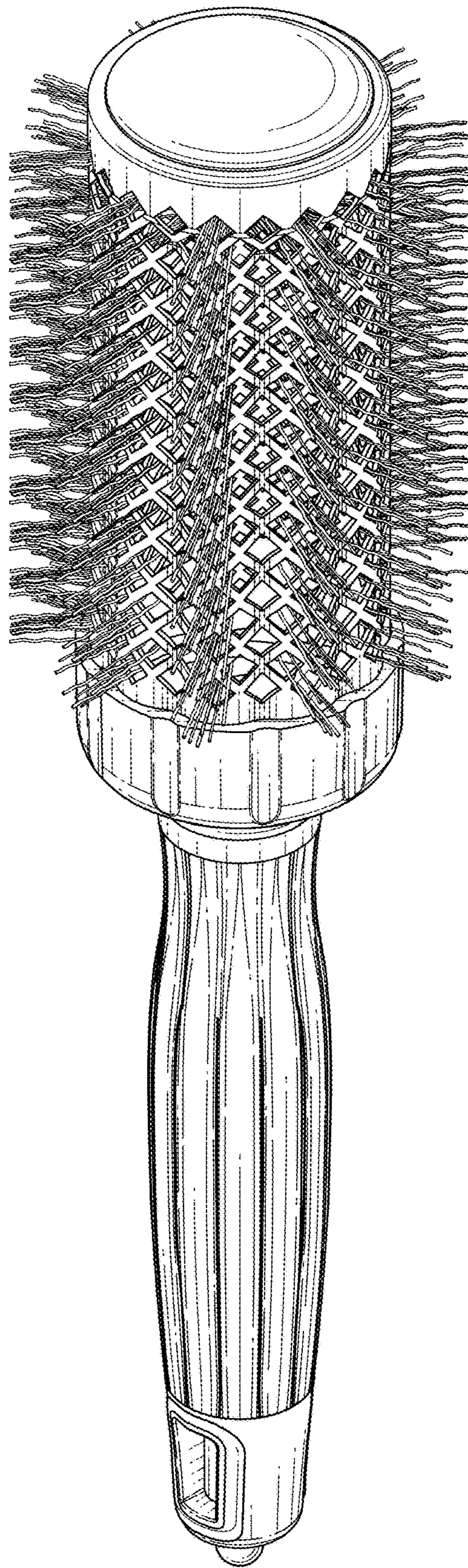


FIG. 1

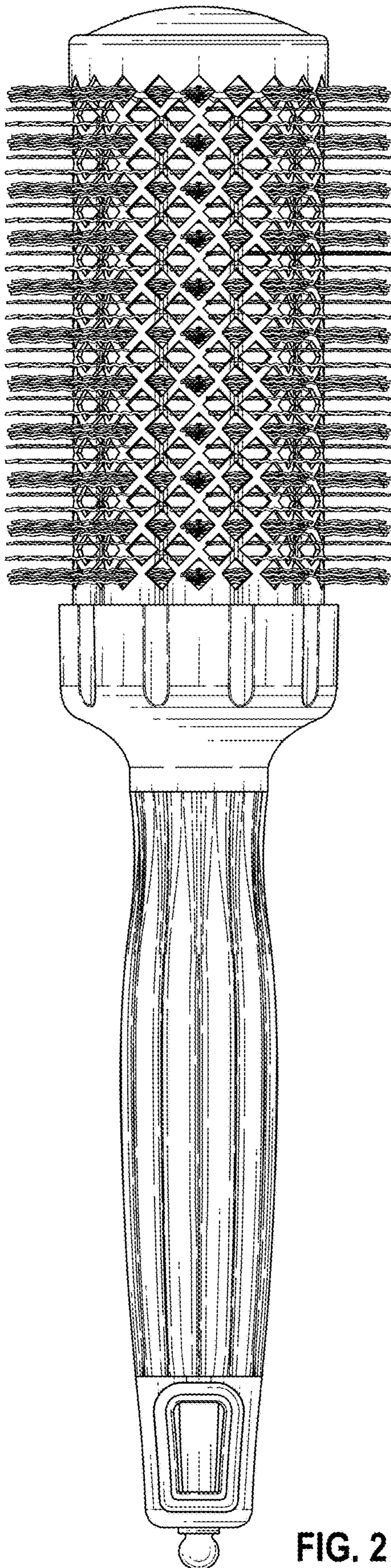


FIG. 2

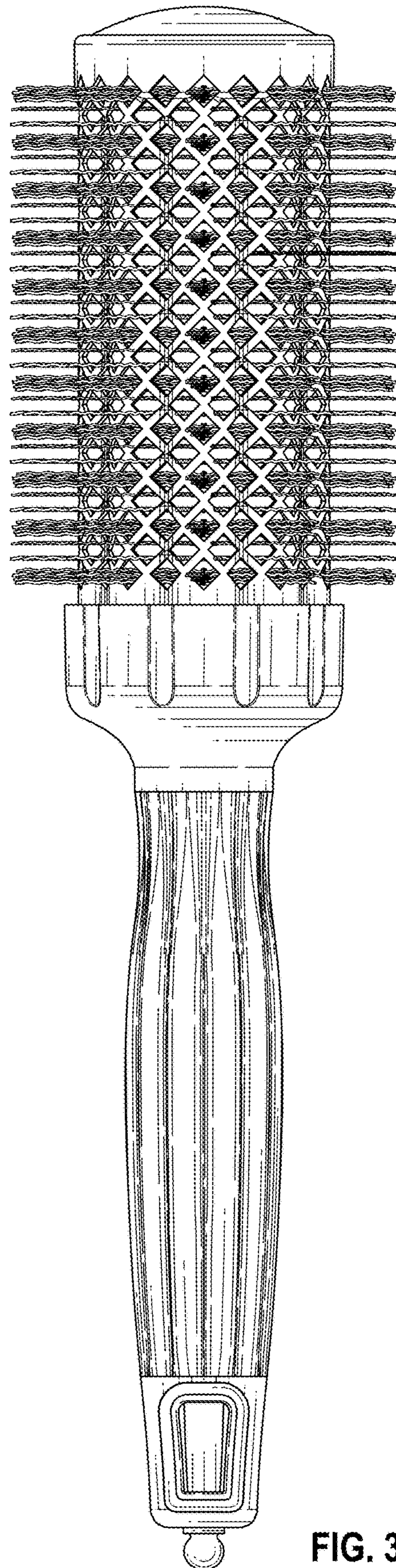


FIG. 3

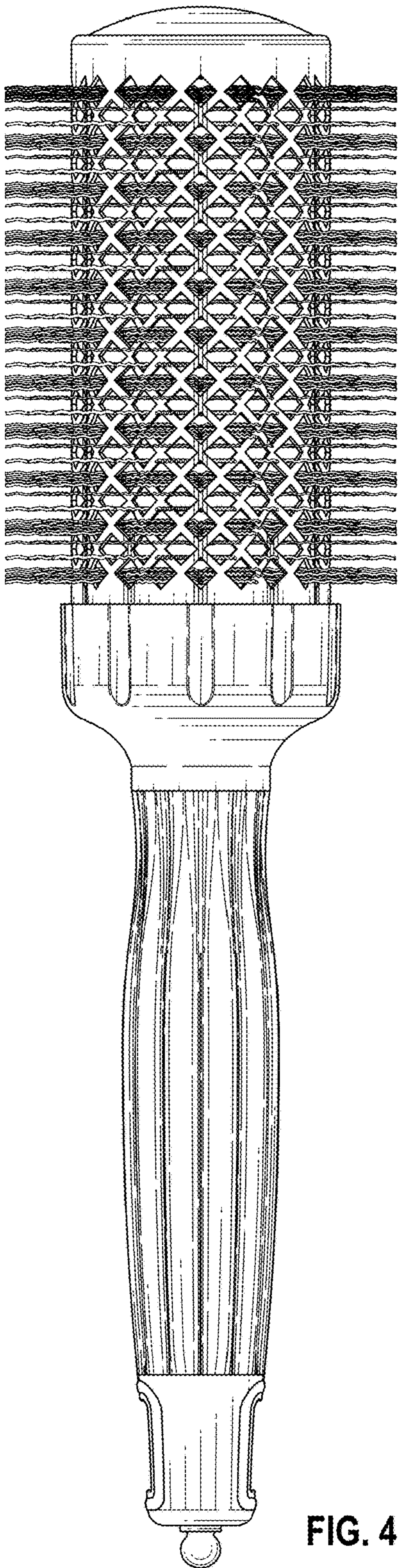


FIG. 4

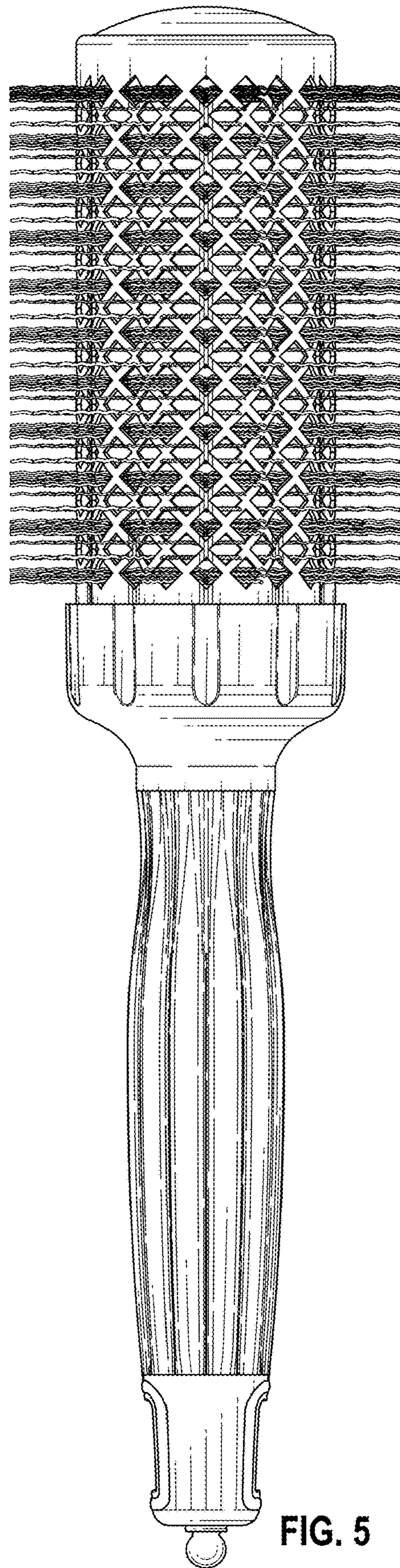


FIG. 5

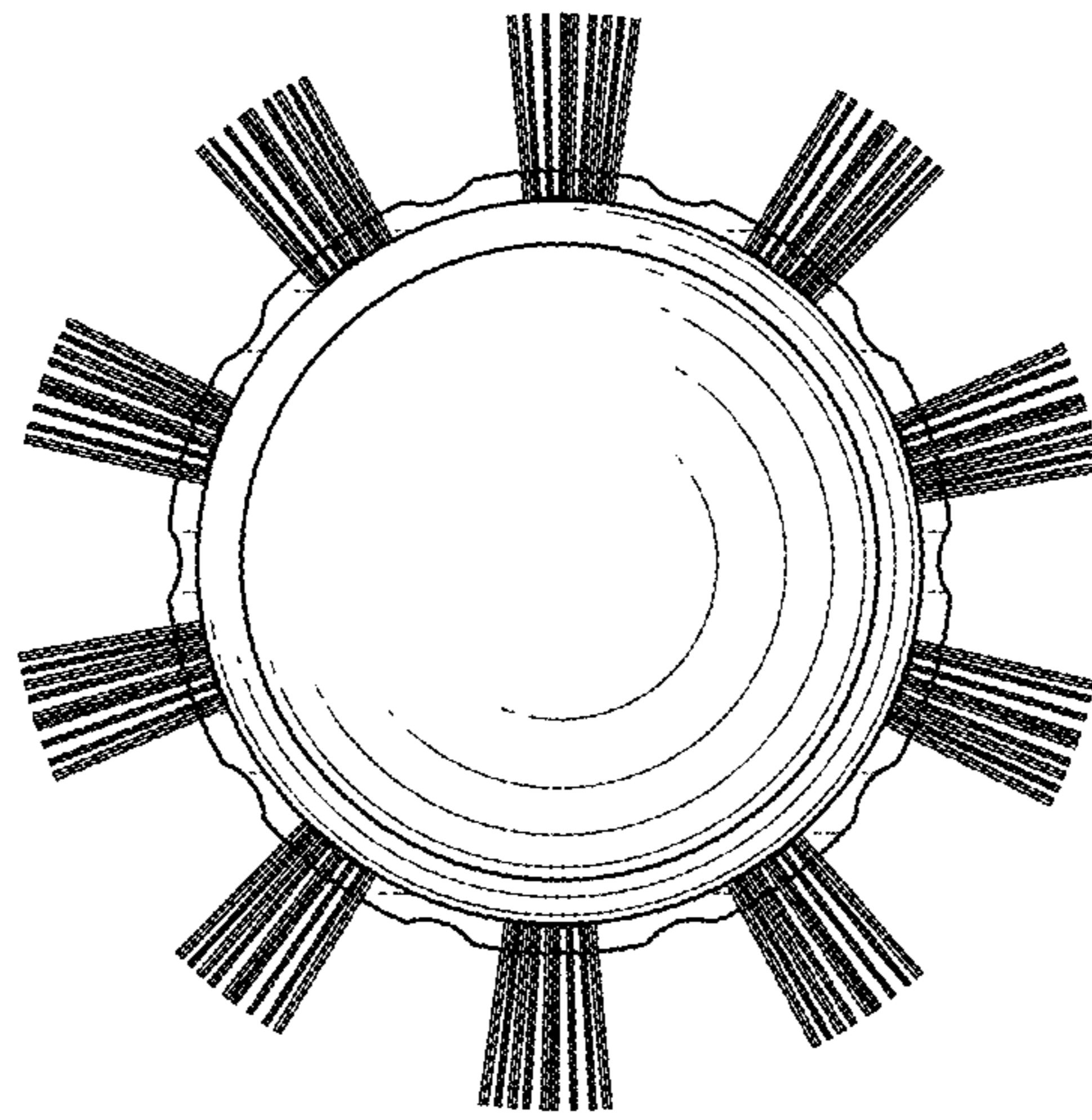


FIG. 6

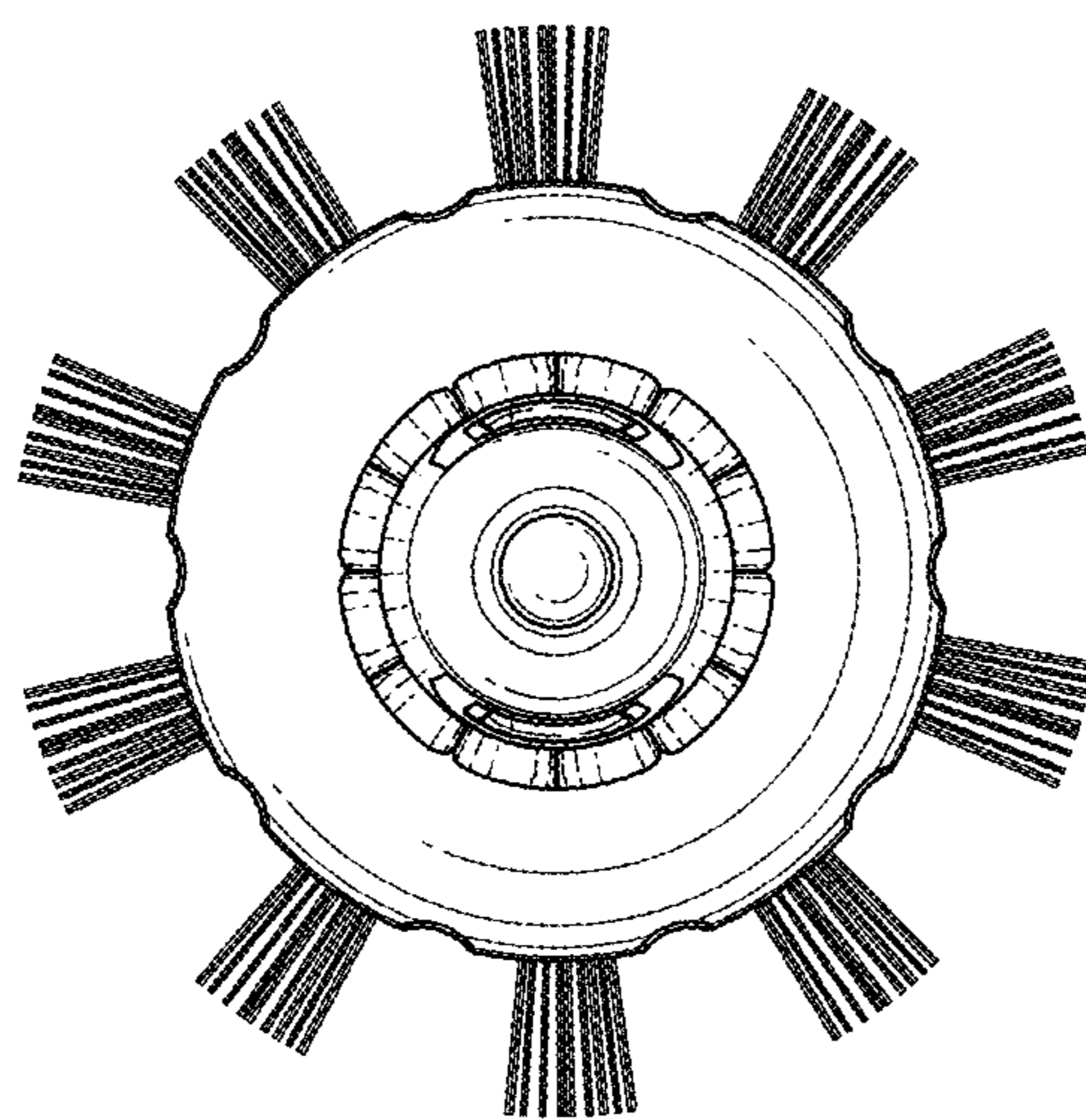


FIG. 7