

US00D960584S

(12) **United States Design Patent** (10) **Patent No.:** **US D960,584 S**  
**Wang** (45) **Date of Patent:** **\*\* Aug. 16, 2022**

(54) **GOLF BRUSH**

FOREIGN PATENT DOCUMENTS

(71) Applicant: **Qingdao Billisagolf Co., Ltd**, Qingdao (CN)

CN 306918923 \* 11/2021  
GB 6137555 \* 5/2021

(72) Inventor: **Shengpeng Wang**, Qingdao (CN)

OTHER PUBLICATIONS

(\*\*) Term: **15 Years**

Amazon.com—Thiodoon Store; “Thiodoon . . . Golf Club Brushes and Groove Cleaner . . . ”; [online] ‘http://www.amazon.com/THIODOON-Retractable-caribiner-oversized-comfortable/dp/B09957FQNJ’; dated Jul. 12, 2021; accessed Apr. 25, 2022; 1pg. (Year: 2021).\*

(21) Appl. No.: **29/737,398**

(22) Filed: **Jun. 9, 2020**

ChampkeyUSA: “Campkey Brushtech Polymer Golf Brush . . . ”; [online] ‘www.champkey.com/champkey-brushtech-polymer-golf-brush-star-series-oversized-brush-head-plus-comfortable-hand-grip-amp-retractable-groove-cleaneraluminum-clip-gold-cl-p0033.html’; accessed Apr. 25, 2022; 2pgs (Year: 2022).\*

(51) **LOC (13) Cl.** ..... **04-01**

(52) **U.S. Cl.**

USPC ..... **D4/118**; D21/795

(58) **Field of Classification Search**

USPC ..... D4/116–118, 121, 130, 132, 134, 138, D4/119, 120, 137; D32/35, 40–42, 46, D32/49, 51, 52, 14; D6/551; D21/789, D21/793, 795

CPC .. A46B 3/18; A46B 5/00; A46B 9/021; A46B 11/00; A46B 11/0003; A46B 2200/1053; A45D 40/26; A45D 40/265

See application file for complete search history.

\* cited by examiner

*Primary Examiner* — Keli L Hill

(57) **CLAIM**

The ornamental design for a golf brush, as shown and described.

**DESCRIPTION**

(56) **References Cited**

U.S. PATENT DOCUMENTS

D38,579 S	*	5/1907	Blood, Jr.	.....	D9/697
D128,412 S	*	7/1941	Bair	.....	D4/108
D190,333 S	*	5/1961	Gunderson	.....	D4/118
D291,029 S	*	7/1987	Purvis	.....	D4/118
D306,213 S	*	2/1990	Elton	.....	D28/7
D342,832 S	*	1/1994	Wabnitz	.....	D4/118
D347,255 S	*	5/1994	Kerr	.....	D4/118
D348,500 S	*	7/1994	Mortenson	.....	D4/118
D364,275 S	*	11/1995	Lewkowicz	.....	D4/119
5,720,388 A	*	2/1998	King	.....	A63B 57/00 206/315.6
D448,572 S	*	10/2001	Gravlee	.....	D4/118
D935,789 S	*	11/2021	Xiang	.....	A63B 57/00 D4/138

FIG. 1 is a first perspective view of a golf brush showing my new design;

FIG. 2 is a second perspective view thereof;

FIG. 3 is a front view thereof;

FIG. 4 is a back view thereof;

FIG. 5 is a left side view thereof;

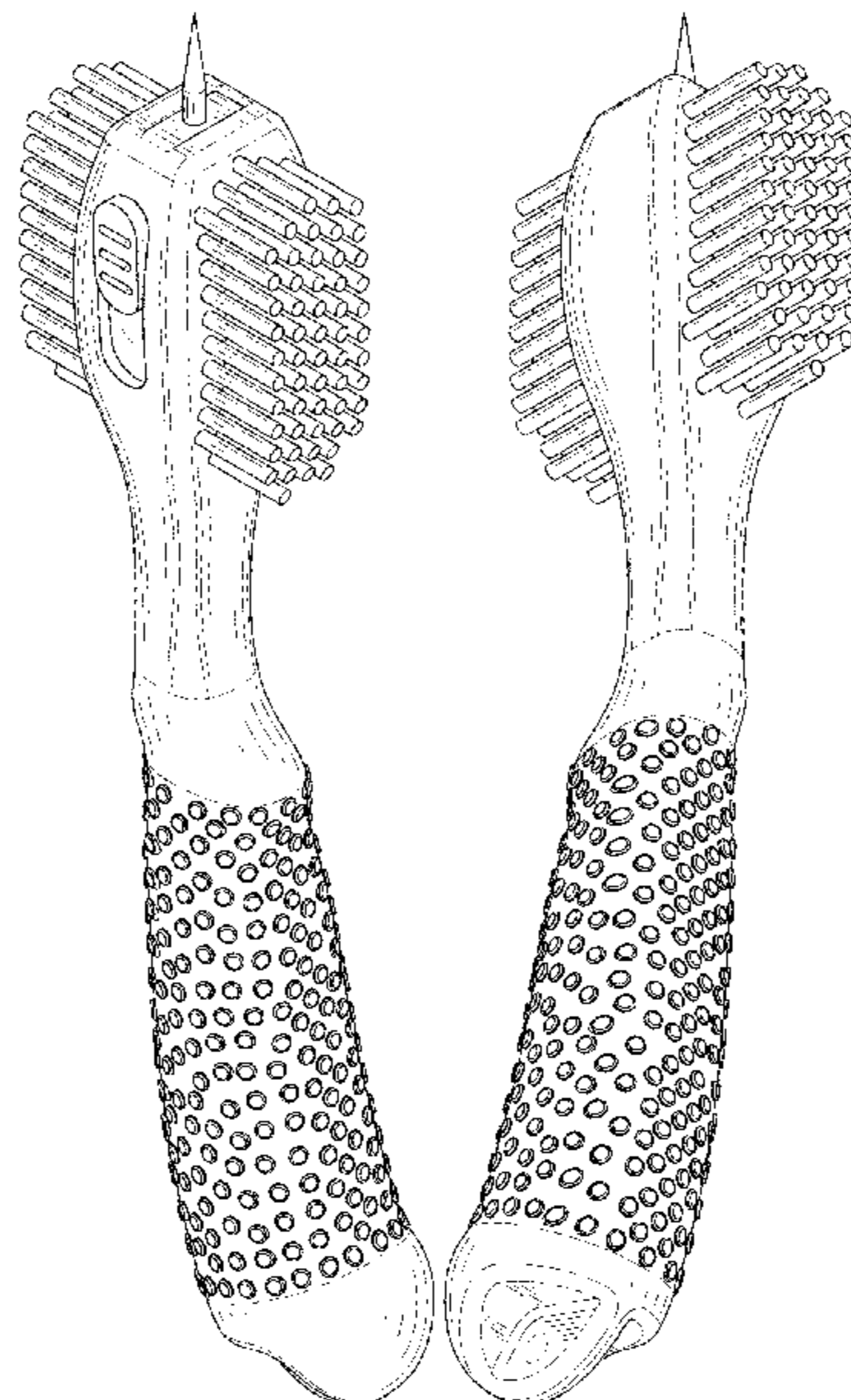
FIG. 6 is a right side view thereof;

FIG. 7 is a top view thereof; and,

FIG. 8 is a bottom view thereof.

The broken lines shown in the drawings depict portions of the golf brush in which the design is embodied that form no part of the claimed design.

**1 Claim, 8 Drawing Sheets**



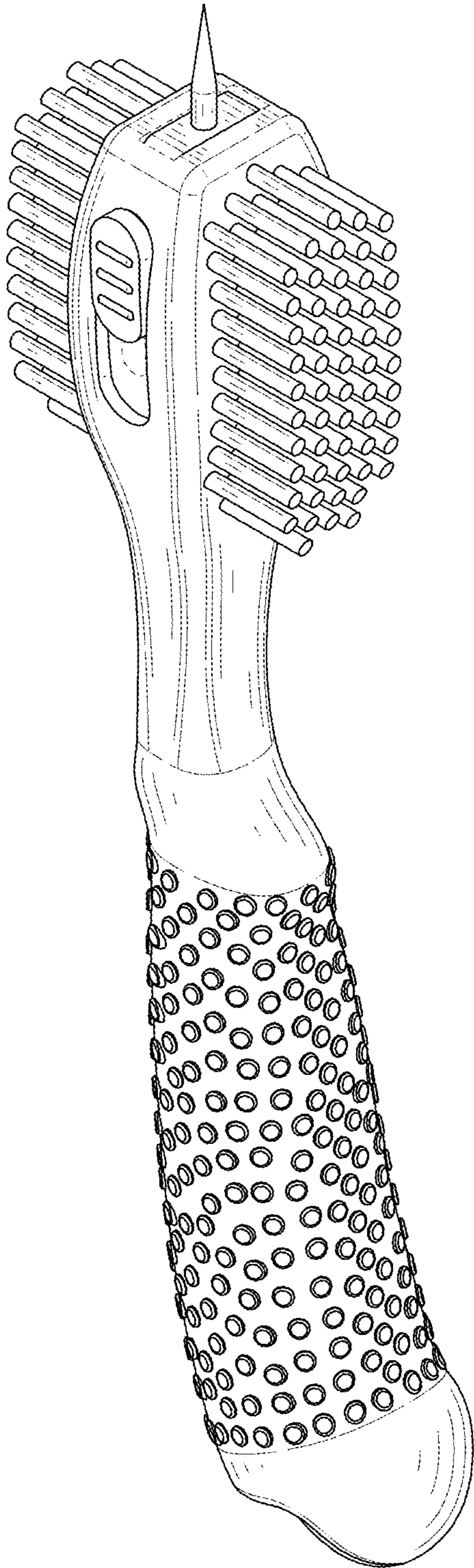


FIG. 1

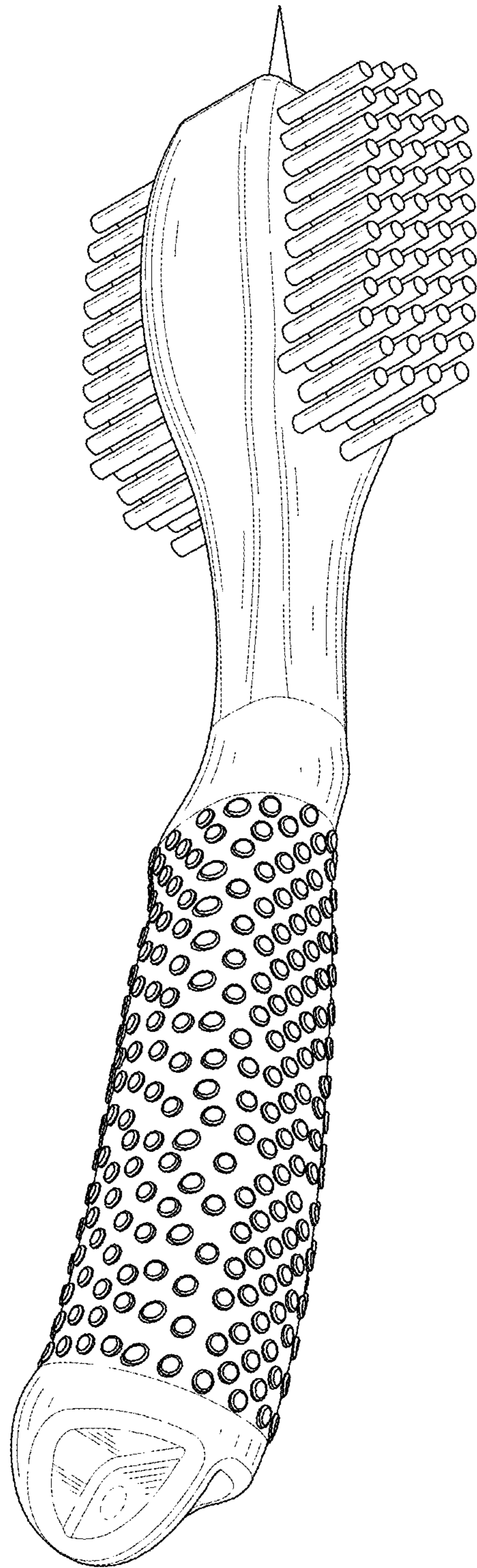


FIG. 2

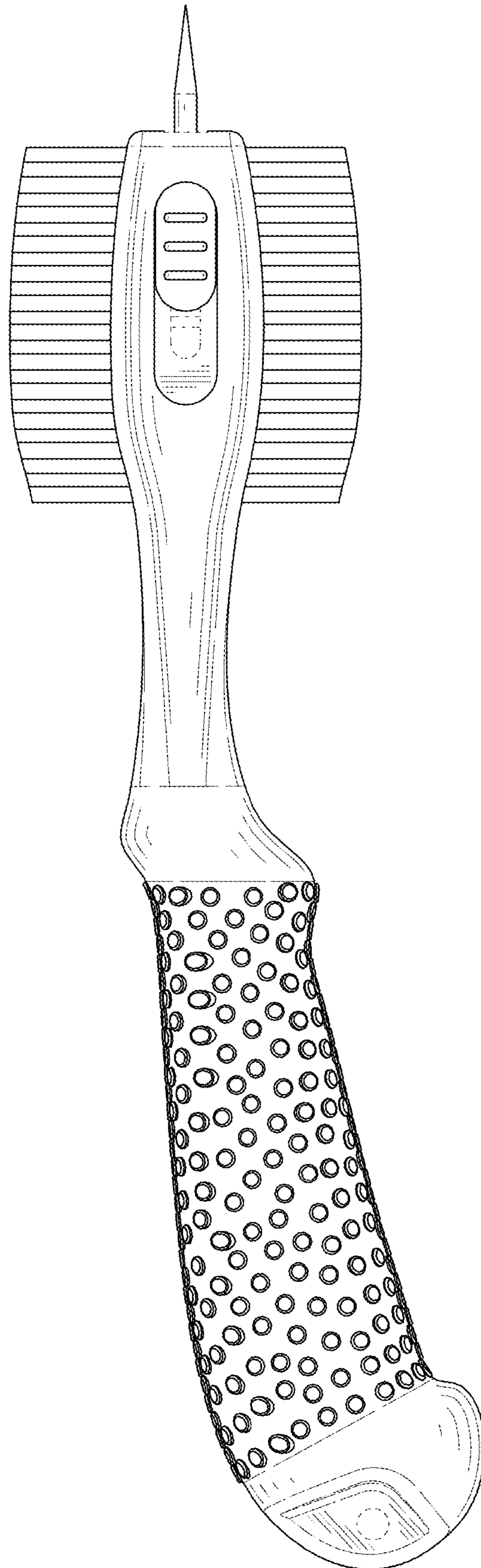


FIG. 3

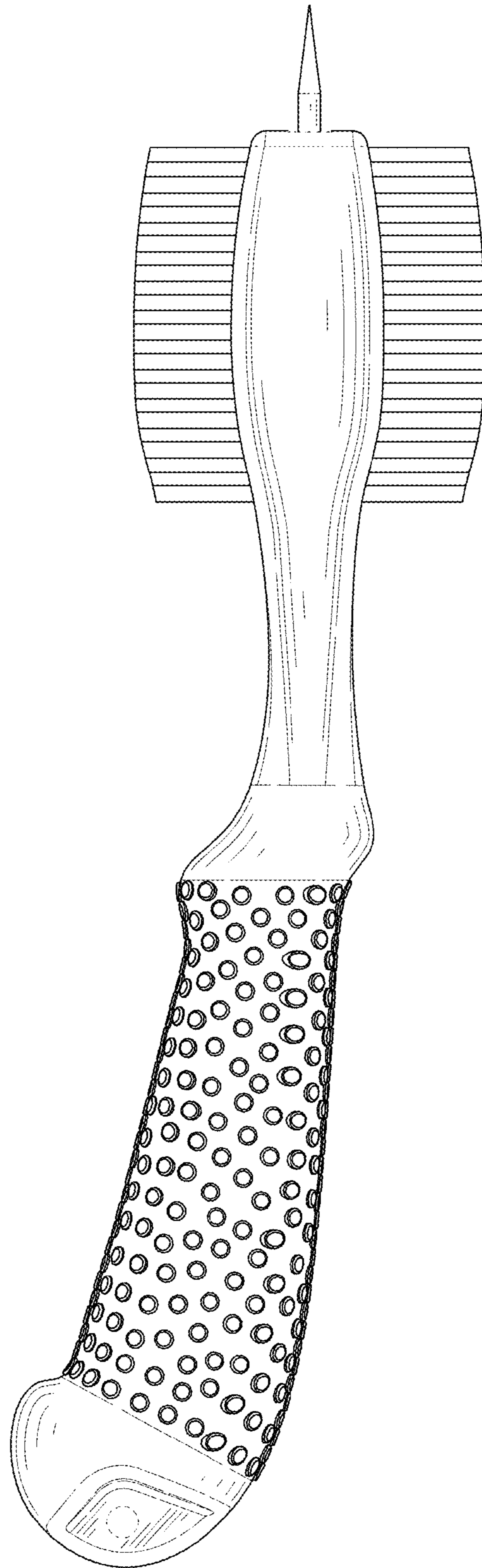


FIG. 4

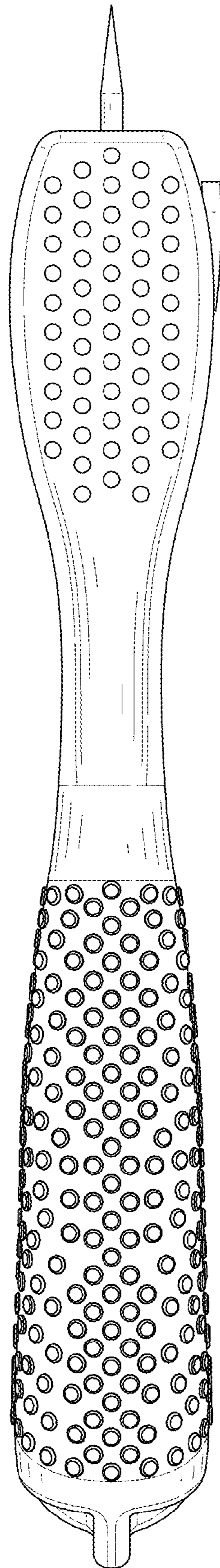


FIG. 5

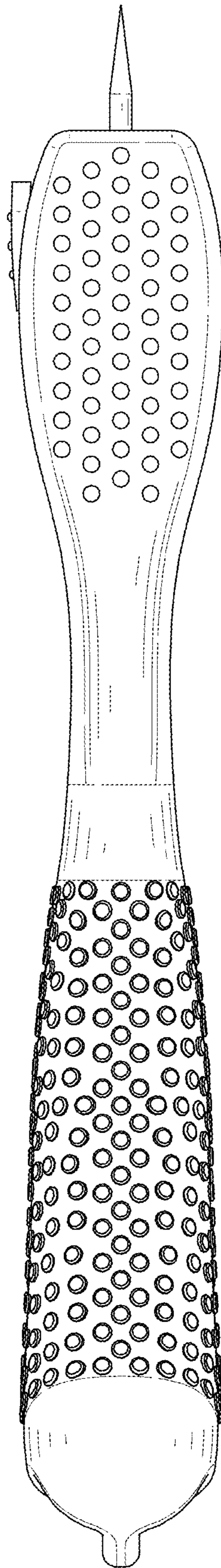


FIG. 6

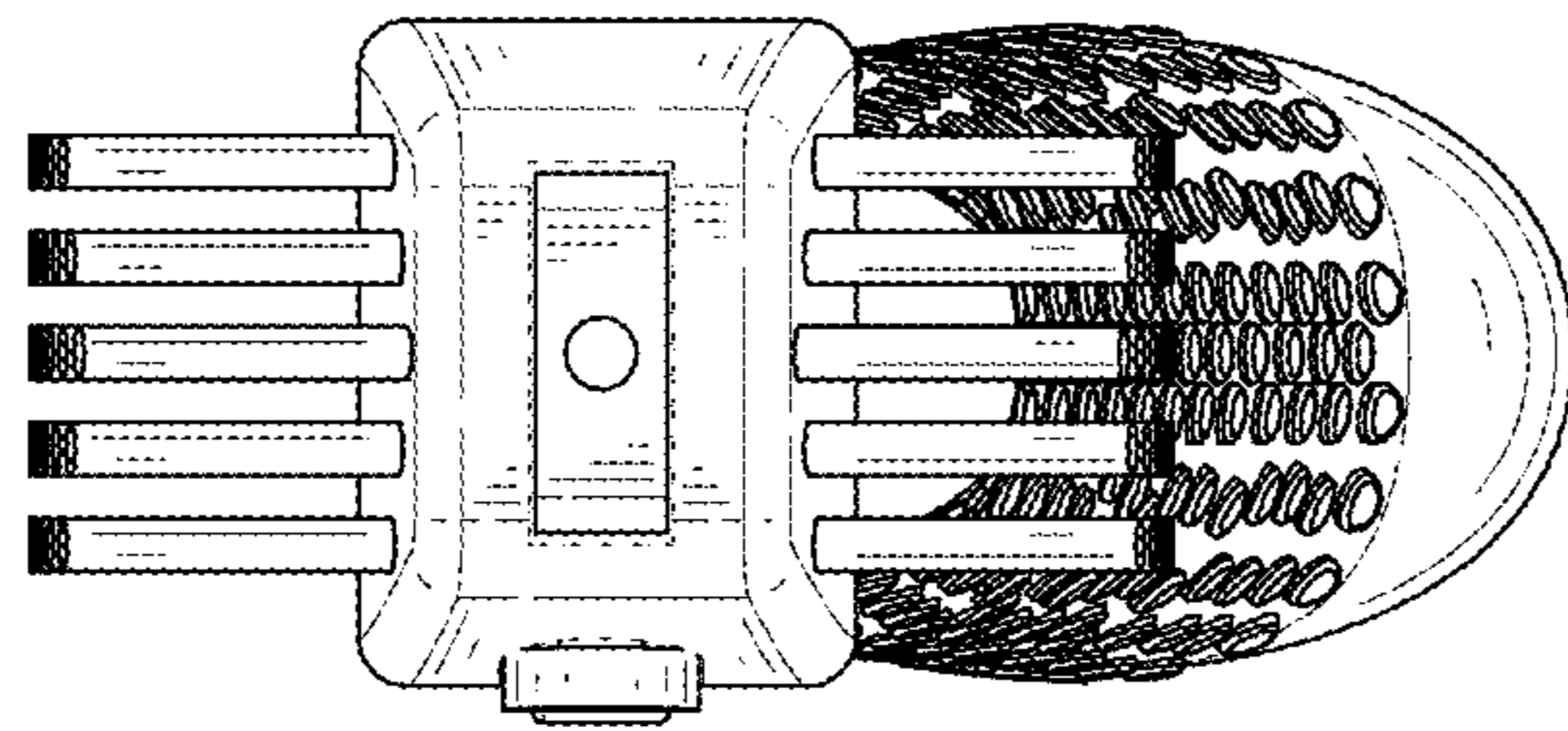


FIG. 7



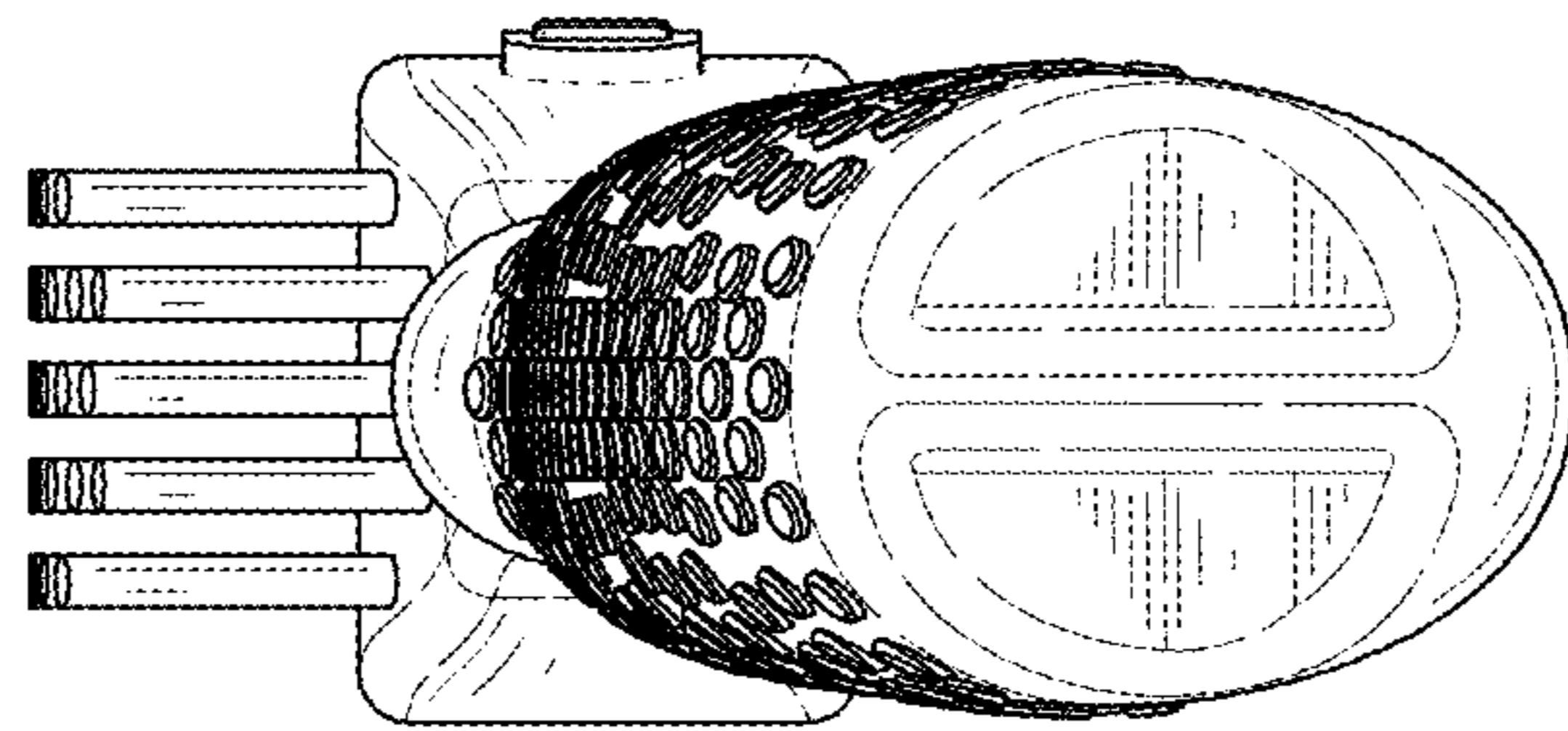


FIG. 8