



US00D960580S

(12) **United States Design Patent** (10) **Patent No.:** **US D960,580 S**
Chen (45) **Date of Patent:** **** Aug. 16, 2022**

(54) **TOOL BOX**

D911,709 S * 3/2021 Niehaus D3/905
D923,938 S * 7/2021 Austin D3/315
2020/0070333 A1* 3/2020 Liu B25H 3/02

(71) Applicant: **MING SHIN TOOLS CO., LTD.,**
Taichung (TW)

FOREIGN PATENT DOCUMENTS

(72) Inventor: **Yung-Shun Chen,** Taichung (TW)

CN 304532190 * 3/2018
GB 9008051395-0001 * 7/2020

(73) Assignee: **MING SHIN TOOLS CO., LTD.,**
Taichung (TW)

OTHER PUBLICATIONS

(**) Term: **15 Years**

Tool box for hand tools, unknown first available date, ecplaza.net [online], [site visited Apr. 4, 2022], Available at URL: https://www.ecplaza.net/products/tool-box-for-hand-tools-22_4643107 (Year: 2022).*

(21) Appl. No.: **29/743,062**

* cited by examiner

(22) Filed: **Jul. 17, 2020**

(51) **LOC (13) Cl.** **03-01**

Primary Examiner — Michelle E. Wilson

(52) **U.S. Cl.**

Assistant Examiner — Caitlin A Laverty

USPC **D3/321; D3/282**

(58) **Field of Classification Search**

(74) *Attorney, Agent, or Firm* — Muncy, Geissler, Olds & Lowe, P.C.

USPC D3/203.1, 205–212, 215, 226–230, 233,
D3/247, 249–250, 269, 276, 282,
D3/293–294, 300, 303, 318, 321–322,
D3/905

(57) **CLAIM**

CPC ... A45C 11/00; A45C 2011/002; A45F 5/021;
H04B 1/3883; H04B 1/3888; H04M
1/0283; F41A 35/02; F41A 9/64

I claim the ornamental design for a tool box, as shown and described.

See application file for complete search history.

DESCRIPTION

(56) **References Cited**

FIG. 1 is a top, front, right perspective view of a tool box showing my new design;

U.S. PATENT DOCUMENTS

D516,810 S * 3/2006 Galletti D3/282
D703,437 S * 4/2014 Bar-Erez B25H 3/02
D3/905
D719,352 S * 12/2014 Shitrit D3/905
D858,994 S * 9/2019 Chang D3/273
D873,014 S * 1/2020 Shechtman D3/905
D874,823 S * 2/2020 Christen D3/905
D882,951 S * 5/2020 Austin D3/905
D882,952 S * 5/2020 Austin D3/905

FIG. 2 is a front elevational view thereof;

FIG. 3 is a rear elevational view thereof;

FIG. 4 is a left side view thereof;

FIG. 5 is a right side view thereof;

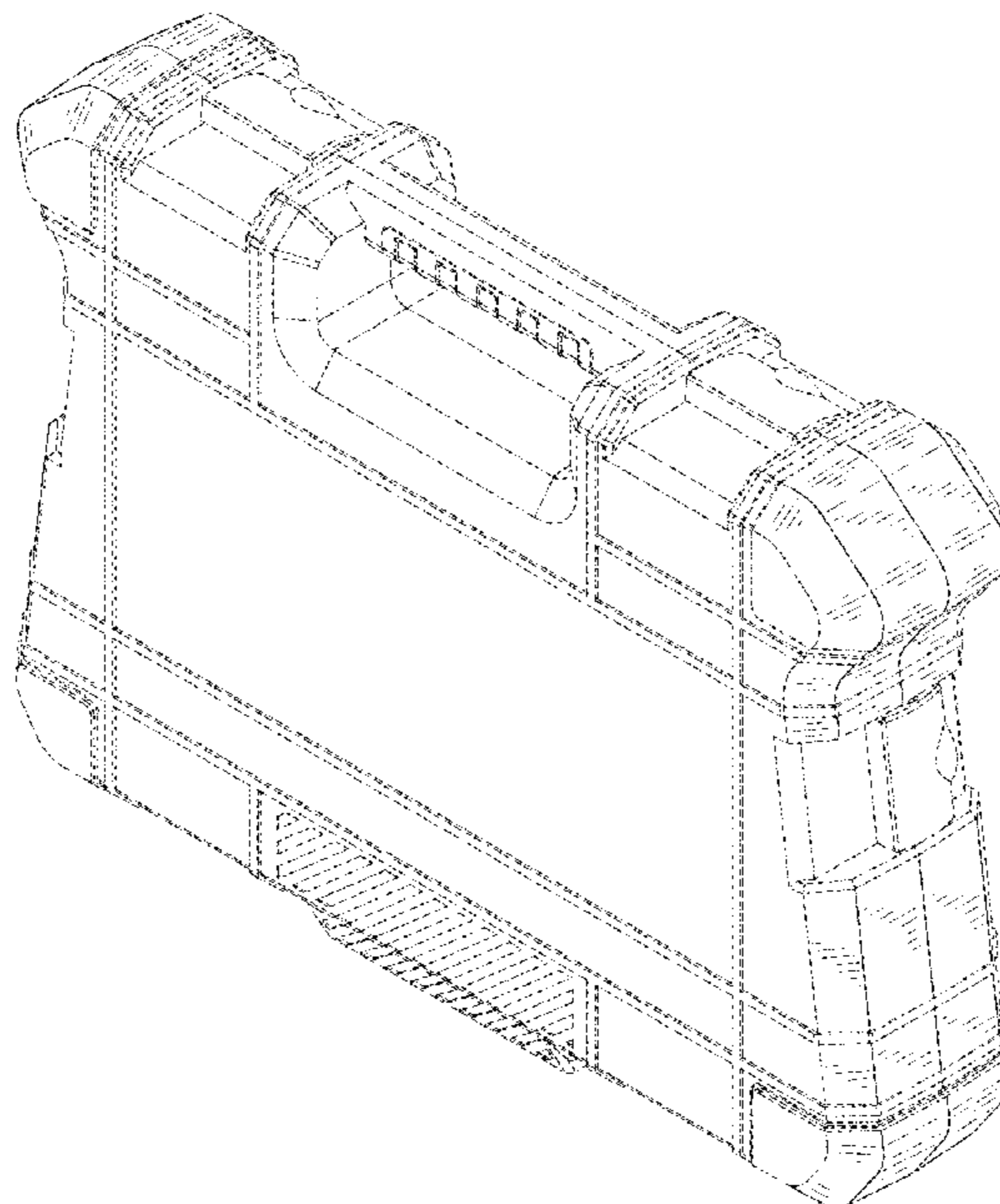
FIG. 6 is a top plan view thereof;

FIG. 7 is a bottom plan view thereof; and,

FIG. 8 is a bottom, rear, left perspective view.

The broken lines in the drawings illustrate portions of the tool box which form no part of the claimed design.

1 Claim, 6 Drawing Sheets



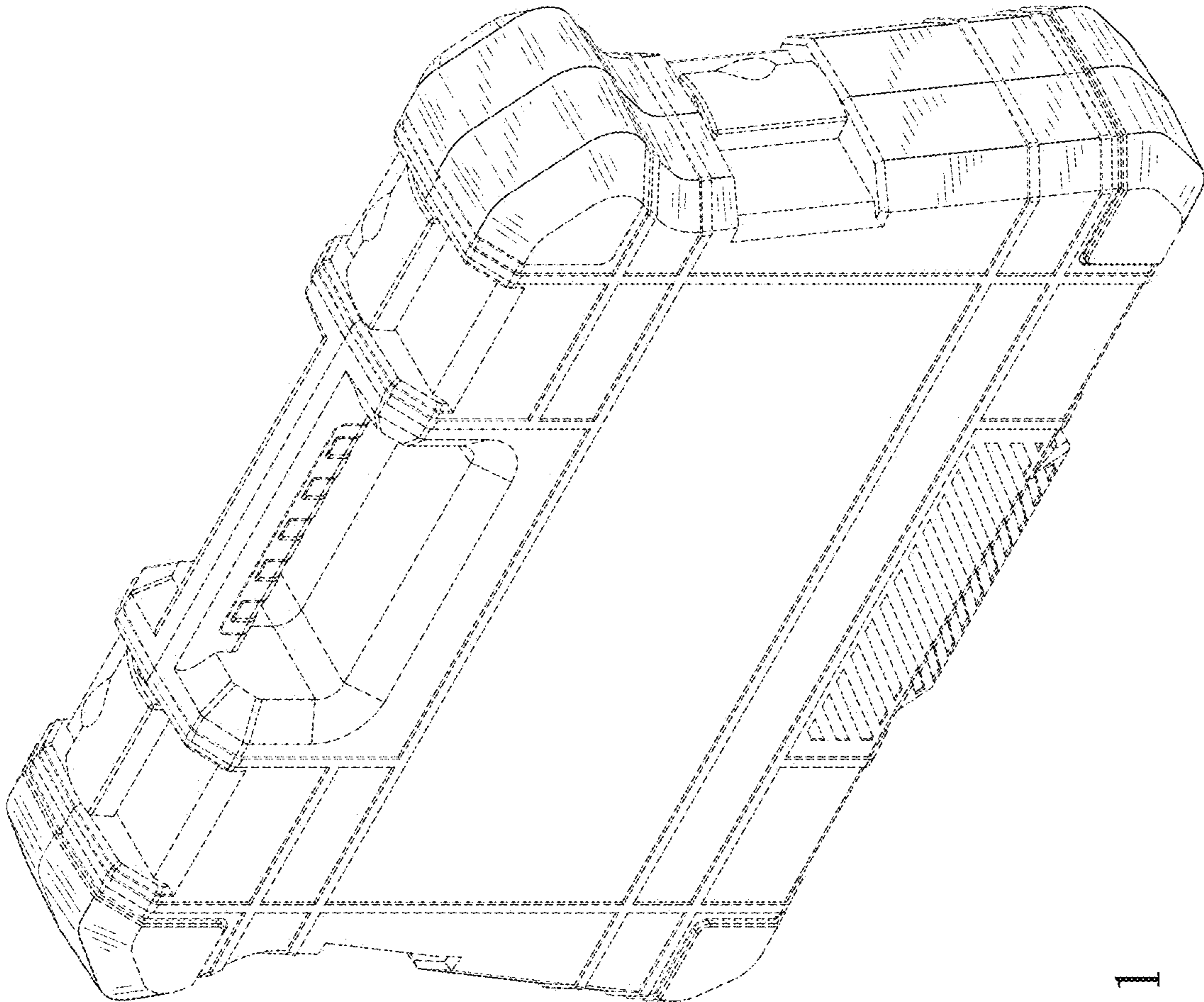


FIG. 1

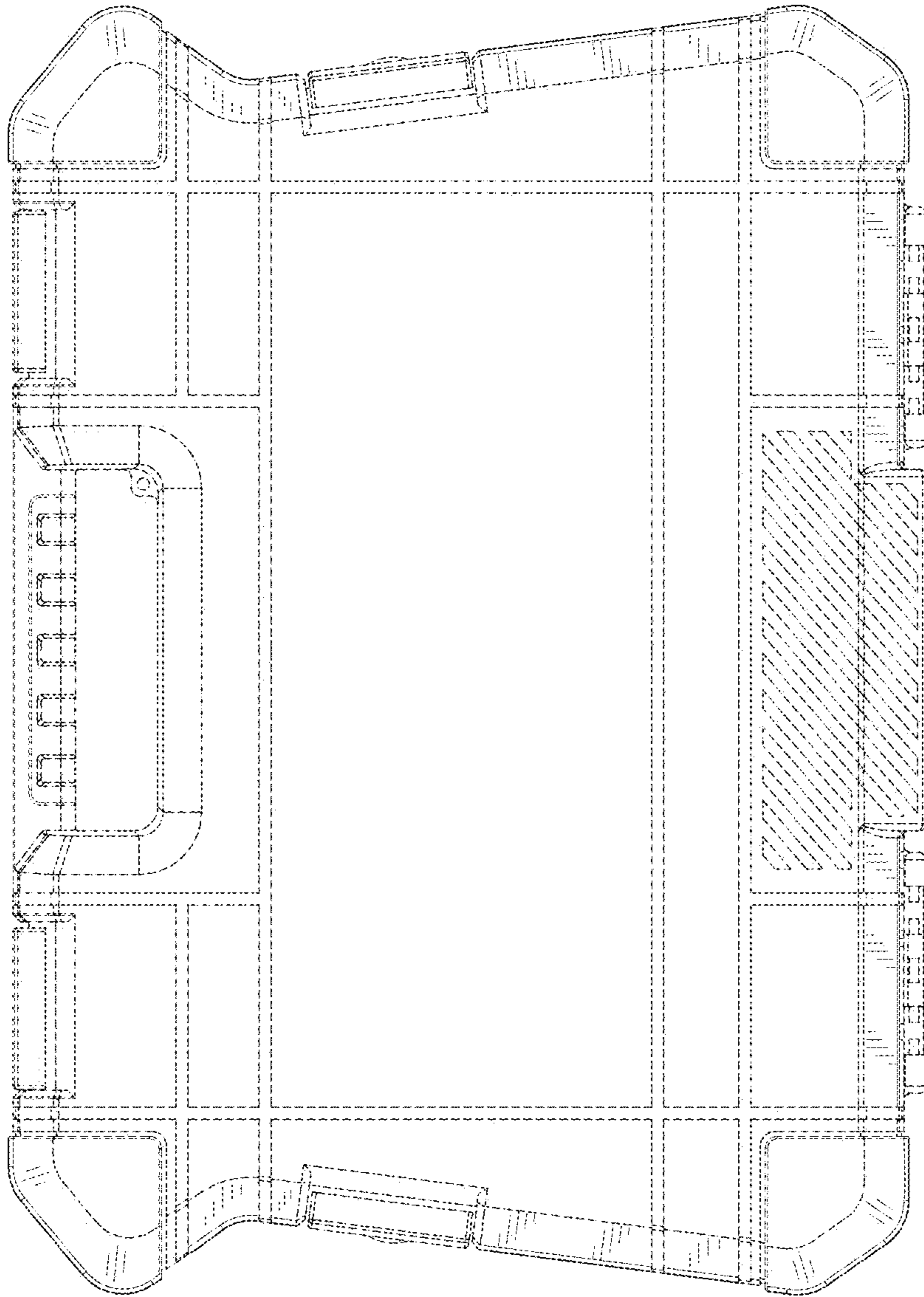


FIG. 2

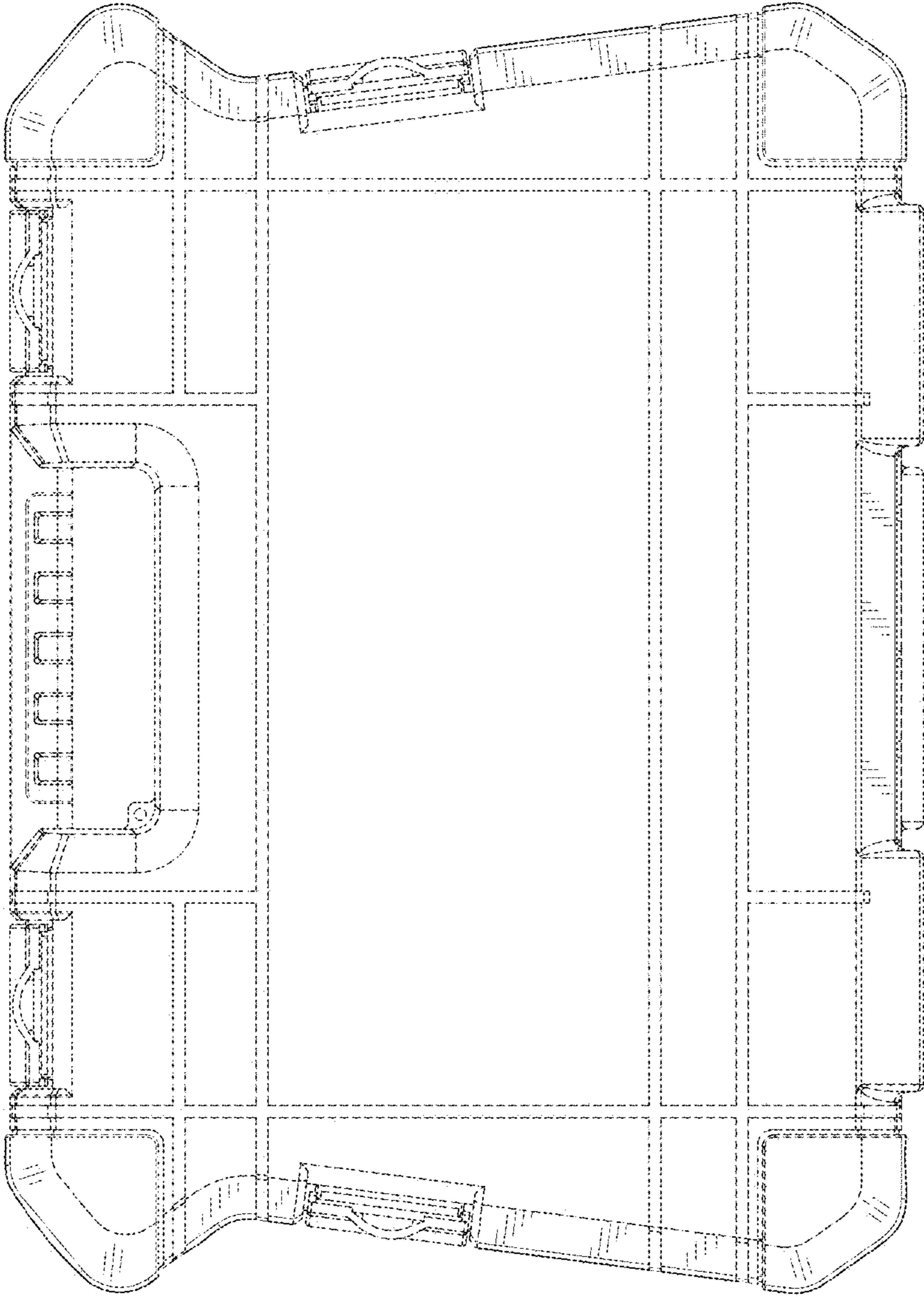


FIG. 3

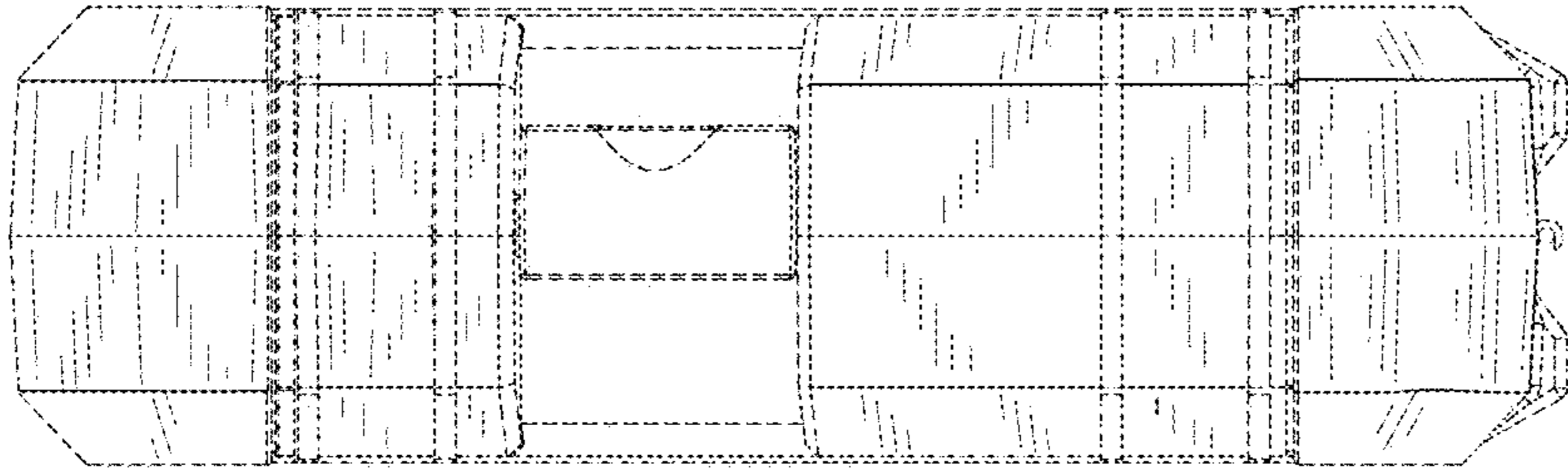


FIG. 4

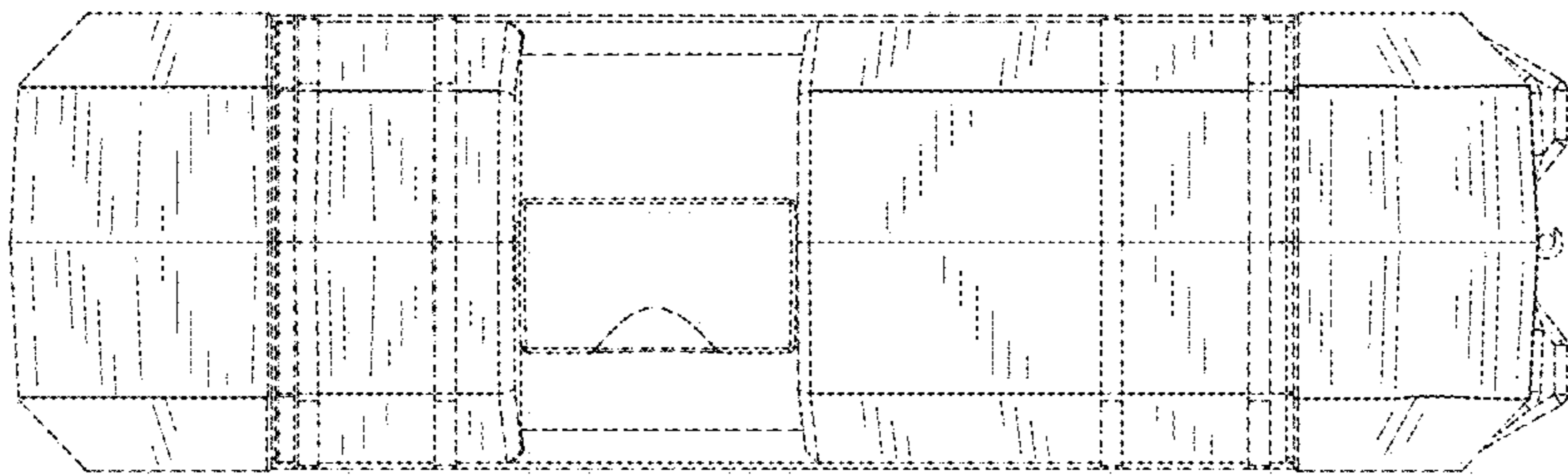


FIG. 5

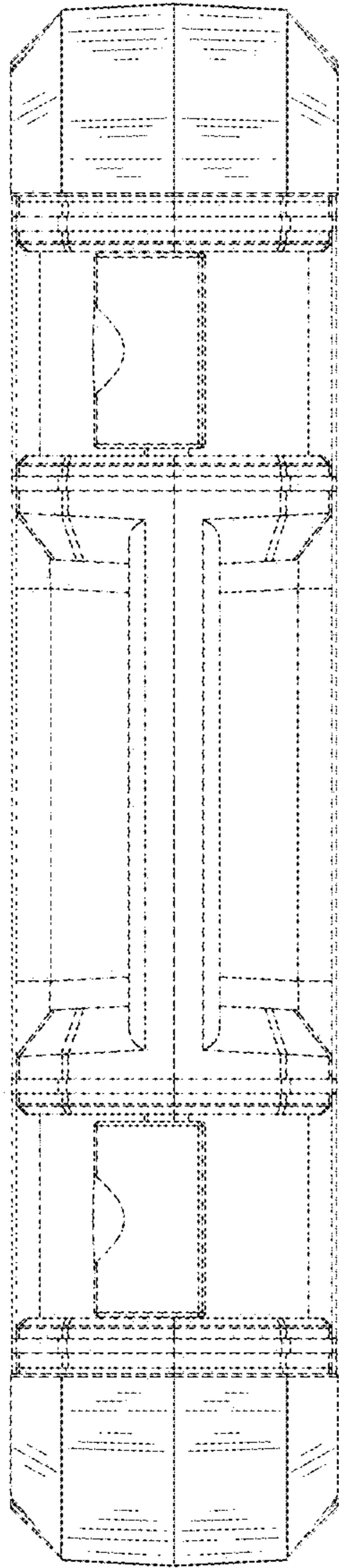


FIG. 6

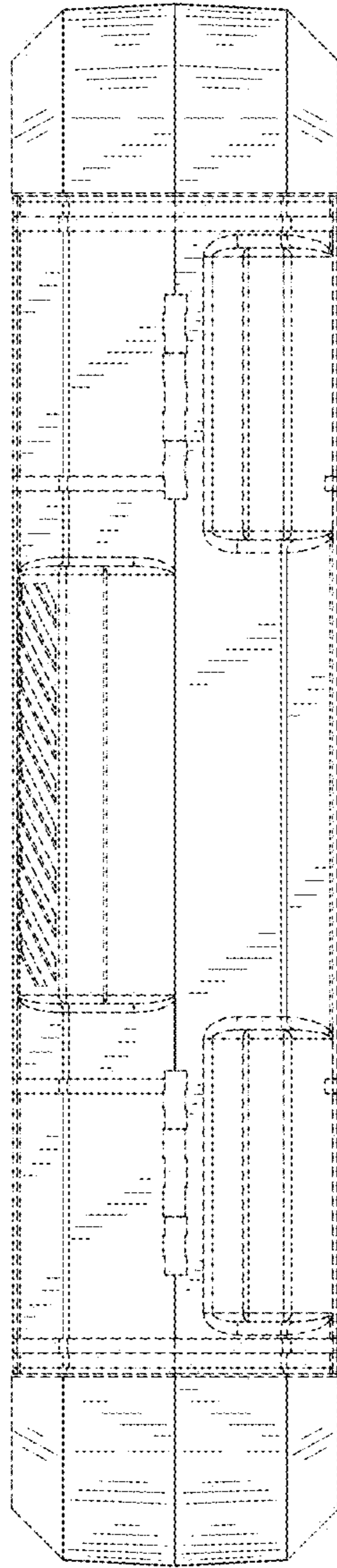


FIG. 7

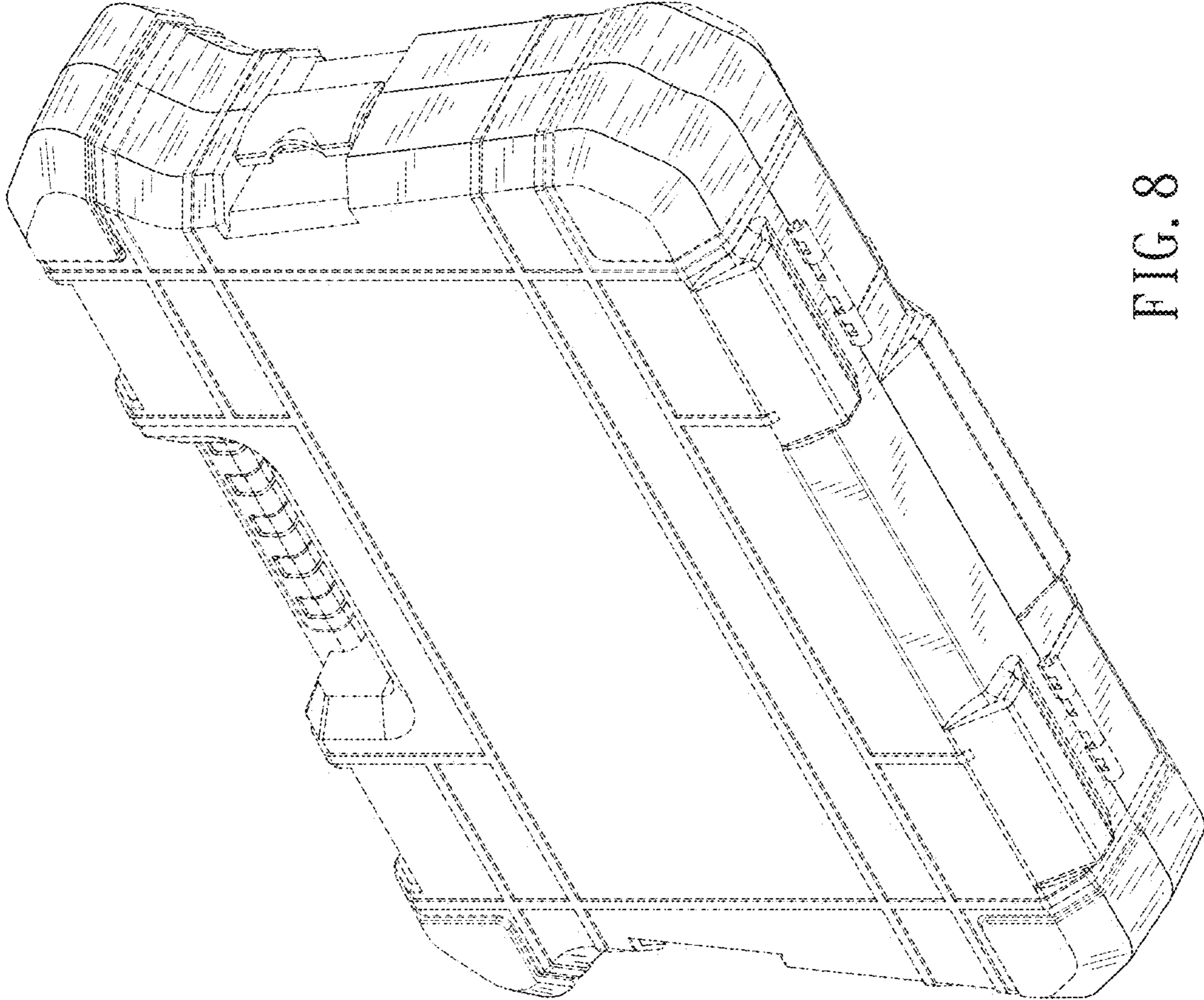


FIG. 8