

US00D960577S

(12) **United States Design Patent**
Weng

(10) **Patent No.:** **US D960,577 S**

(45) **Date of Patent:** **** Aug. 16, 2022**

(54) **CHARGING CASE FOR WIRELESS
EARPHONES**

(71) Applicant: **SHENZHEN GUANGYIPENG
TECHNOLOGY CO., LTD.**, Shenzhen
(CN)

(72) Inventor: **Jie Weng**, Shenzhen (CN)

(73) Assignee: **SHENZHEN GUANGYIPENG
TECHNOLOGY CO., LTD.**, Shenzhen
(CN)

(**) Term: **15 Years**

(21) Appl. No.: **29/715,841**

(22) Filed: **Dec. 5, 2019**

(51) **LOC (13) Cl.** **03-01**

(52) **U.S. Cl.**
USPC **D3/302; D3/215**

(58) **Field of Classification Search**
USPC D3/201, 208, 212, 218, 273, 274, 294,
D3/302; D14/223, 496; D13/118, 108
(Continued)

(56) **References Cited**

U.S. PATENT DOCUMENTS

D888,663 S * 6/2020 Weng D13/108
D904,765 S * 12/2020 Hyun D13/103
(Continued)

OTHER PUBLICATIONS

Amazon, "SUPCASE Unicorn Beetle Royal Series Case Designed for AirPods Pro . . ." First on sale Dec. 23, 2019. (<https://www.amazon.com/SUPCASE-Designed-Full-Body-Protective-Hand-Strap/dp/B0831GK96S>) (Year: 2019).*

(Continued)

Primary Examiner — April Rivas

(57) **CLAIM**

The ornamental design for a charging case for wireless earphones, as shown and described.

DESCRIPTION

FIG. 1 is a front, top and right side perspective view of a first embodiment of a charging case for wireless earphones showing my new design;

FIG. 2 is a rear, bottom and left side perspective view thereof;

FIG. 3 is a front elevational view thereof;

FIG. 4 is a rear elevational view thereof;

FIG. 5 is a left side view thereof;

FIG. 6 is a right side view thereof;

FIG. 7 is a top plan view thereof;

FIG. 8 is a bottom plan view thereof;

FIG. 9 is a front, top and right side perspective view thereof illustrating embodiment of the charging case for wireless earphones in a use state;

FIG. 10 is a front, top and right side perspective view of a second embodiment of a charging case for wireless earphones showing my new design;

FIG. 11 is a rear, bottom and left side perspective view thereof;

FIG. 12 is a front elevational view thereof;

FIG. 13 is a rear elevational view thereof;

FIG. 14 is a left side view thereof;

FIG. 15 is a right side view thereof;

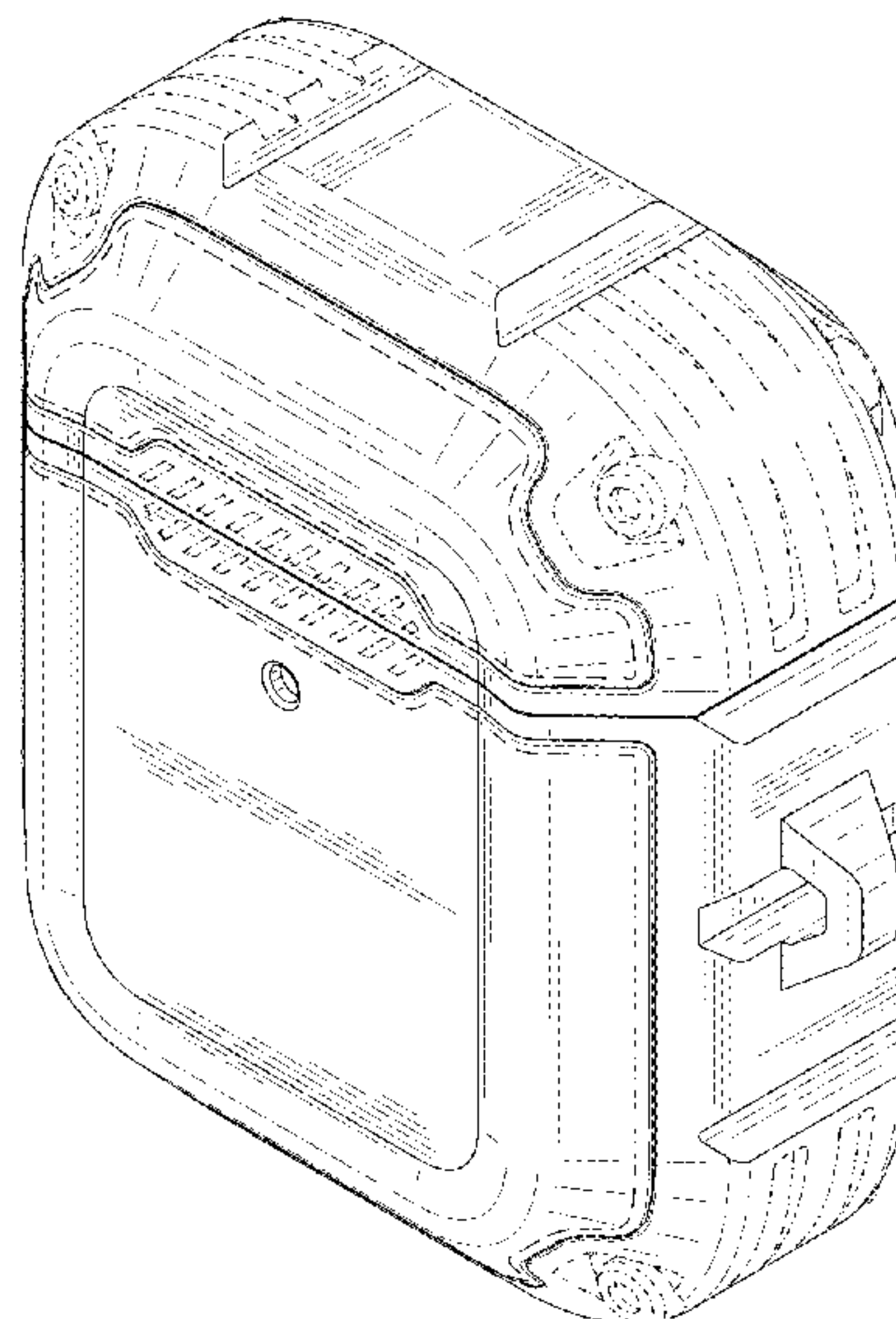
FIG. 16 is a top plan view thereof;

FIG. 17 is a bottom plan view thereof; and,

FIG. 18 is a front, top and right side perspective view thereof illustrating the second embodiment of the charging case for wireless earphones in a use state.

The dash-dash broken lines in the drawings represent stitching and are intended to form part of the claimed design. The dot-dash-dot broken lines in the drawings represent boundaries of the charging case for wireless earphones and form no part of the claimed design.

1 Claim, 18 Drawing Sheets



(58) **Field of Classification Search**

CPC H04R 1/1025; A45C 2011/001
See application file for complete search history.

(56) **References Cited**

U.S. PATENT DOCUMENTS

D911,711 S * 3/2021 Feng D3/294
D912,390 S * 3/2021 Hyun D3/273
D914,603 S * 3/2021 Wang D3/321
D927,182 S * 8/2021 Hyun D14/440
D933,351 S * 10/2021 Armstrong D3/273
D941,023 S * 1/2022 Lee D3/218
2021/0345742 A1 * 11/2021 Wright A45C 13/1084

OTHER PUBLICATIONS

Amazon, "SUPCASE Unicorn Beetle Royal Series Case Designed for Airpods 1 & 2 . . . ", First on sale Jan. 19, 2020. (<https://www.amazon.com/SUPCASE-Designed-Full-Body-Protective-Carabiner/dp/B08418M67K>) (Year: 2020).*

* cited by examiner

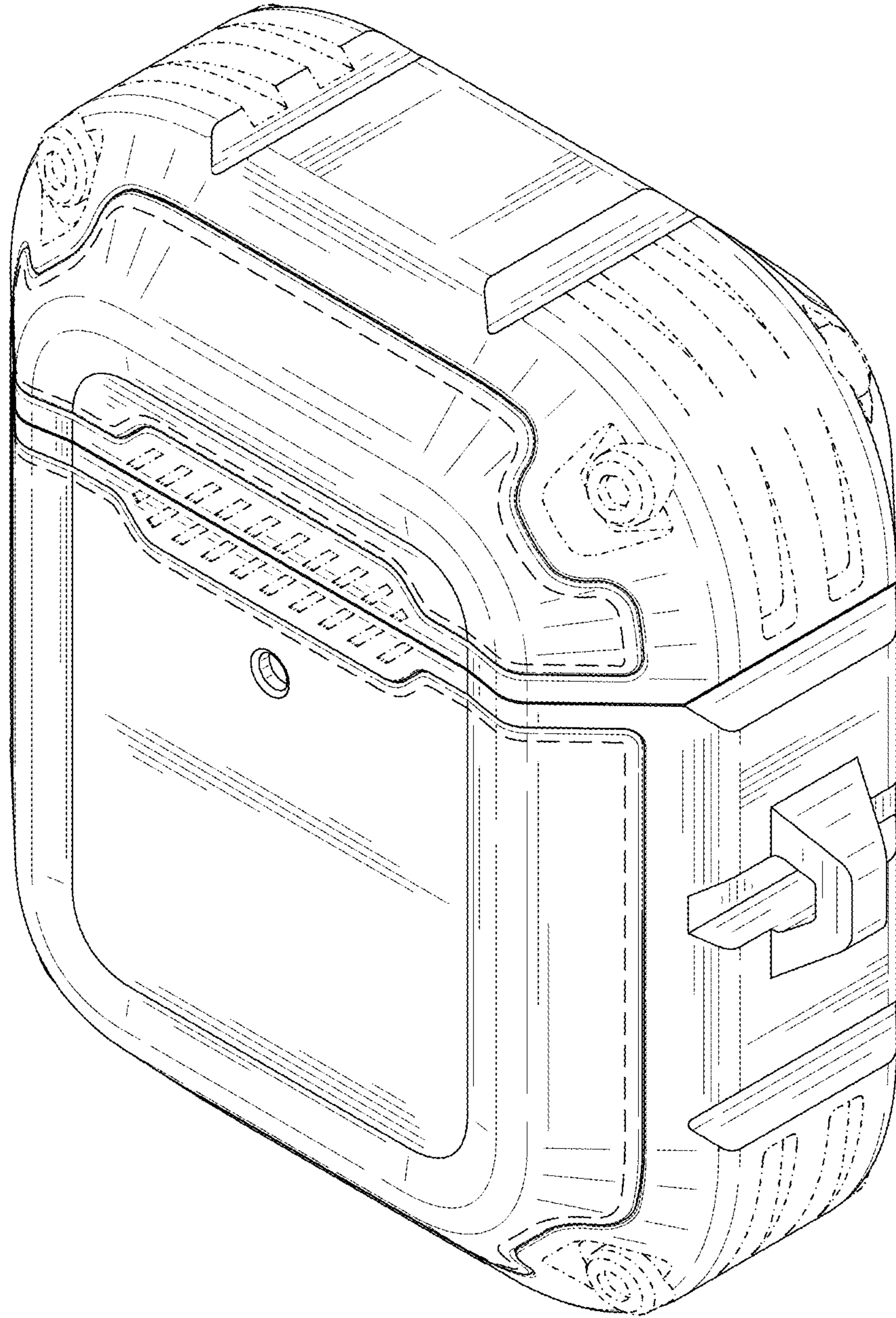


FIG. 1

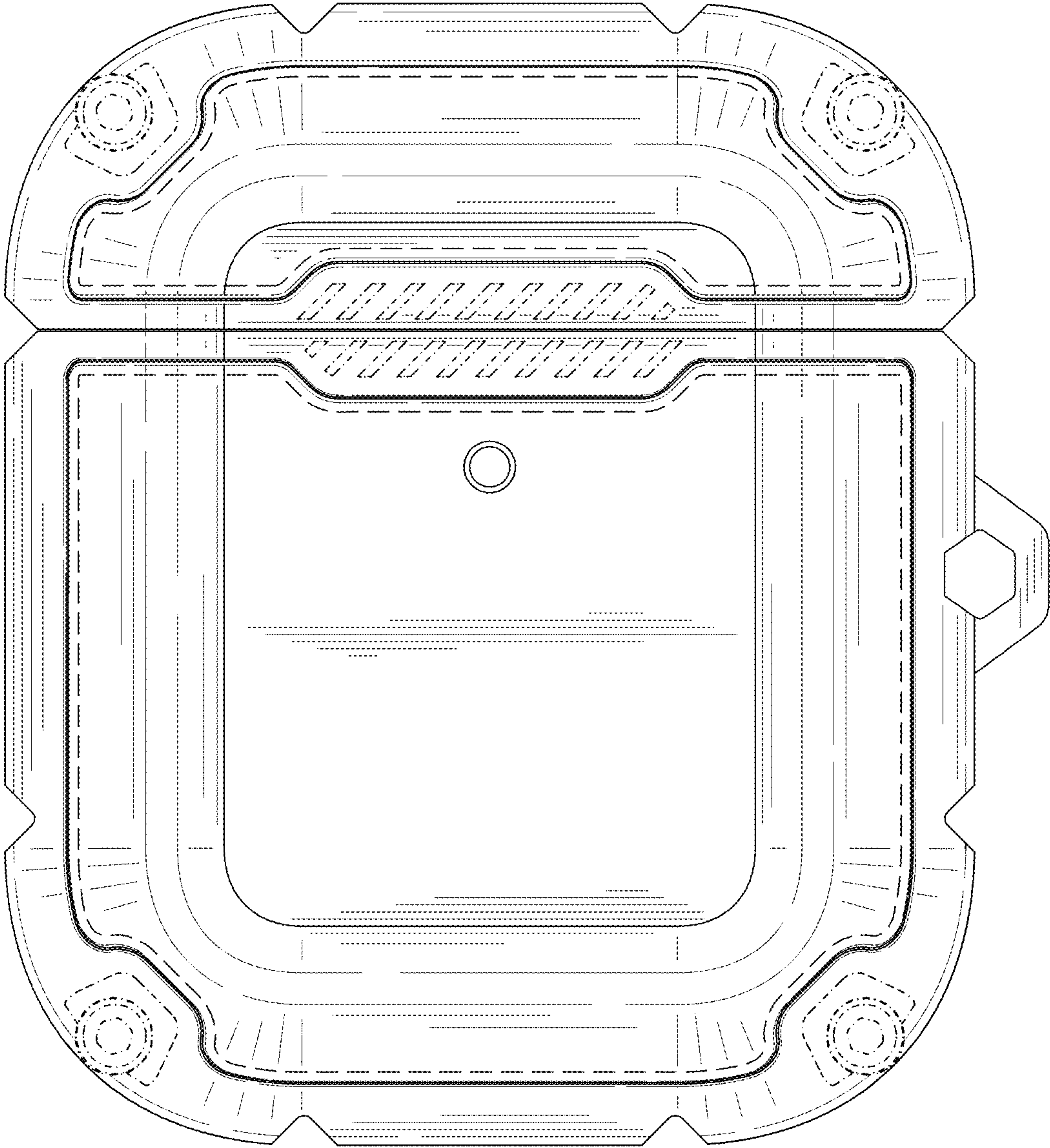


FIG. 3

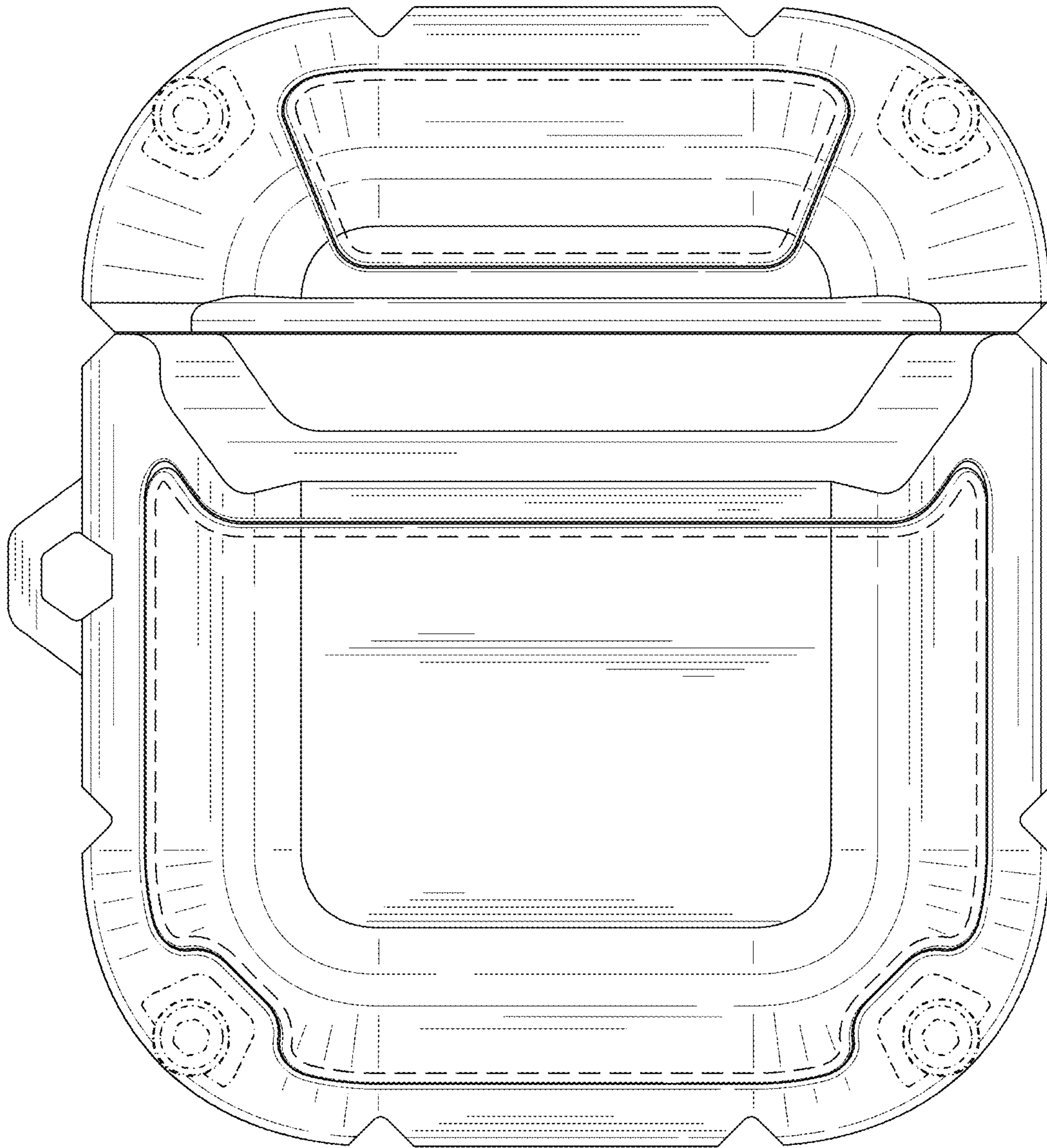


FIG. 4

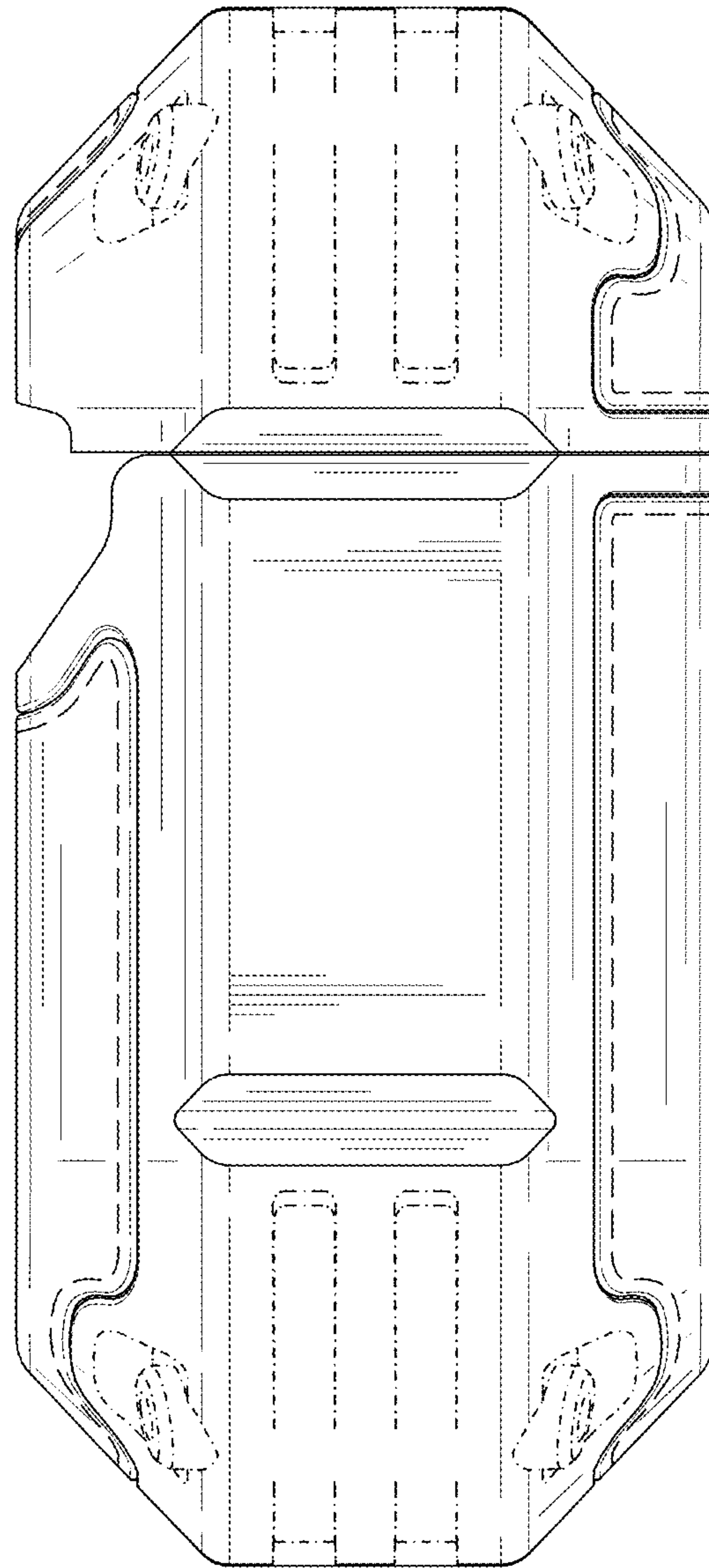


FIG. 5

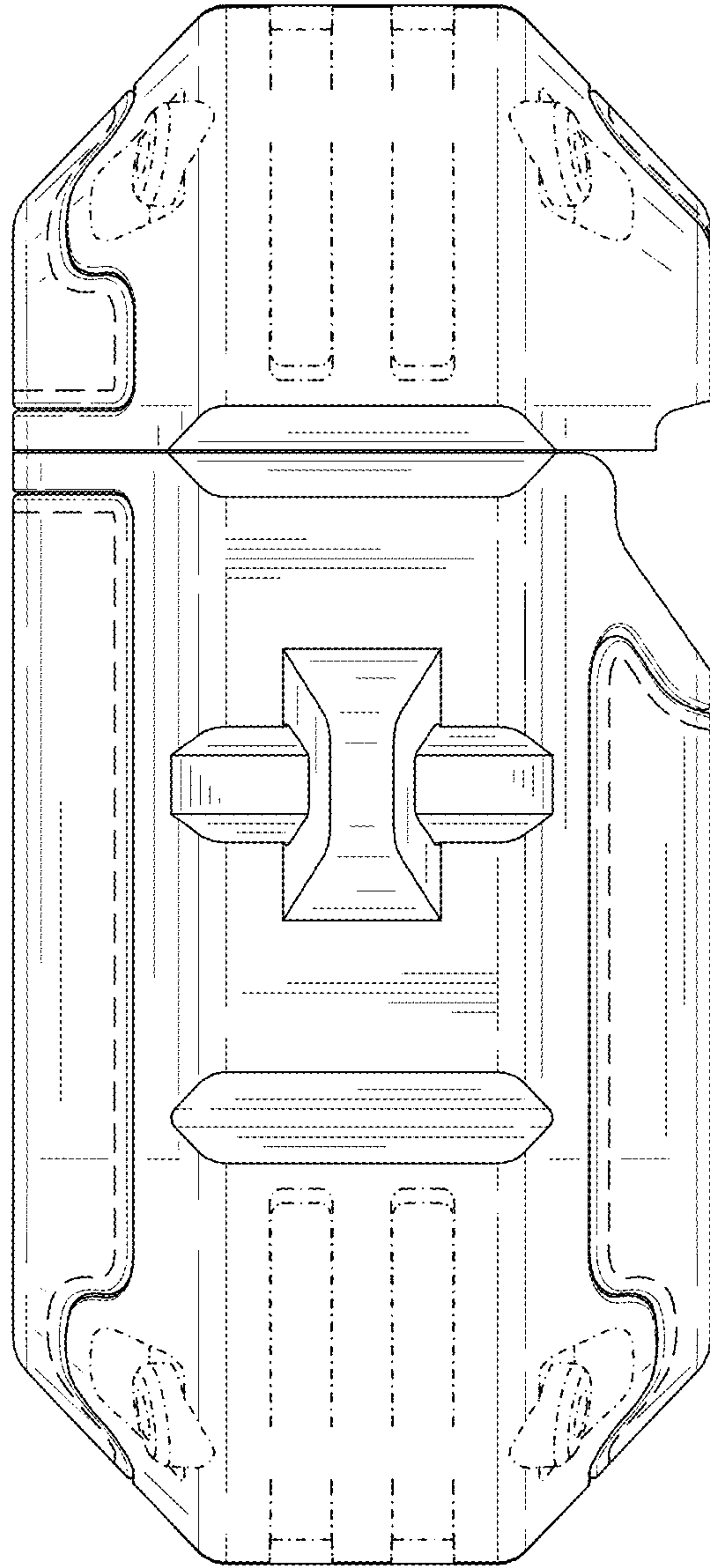


FIG. 6

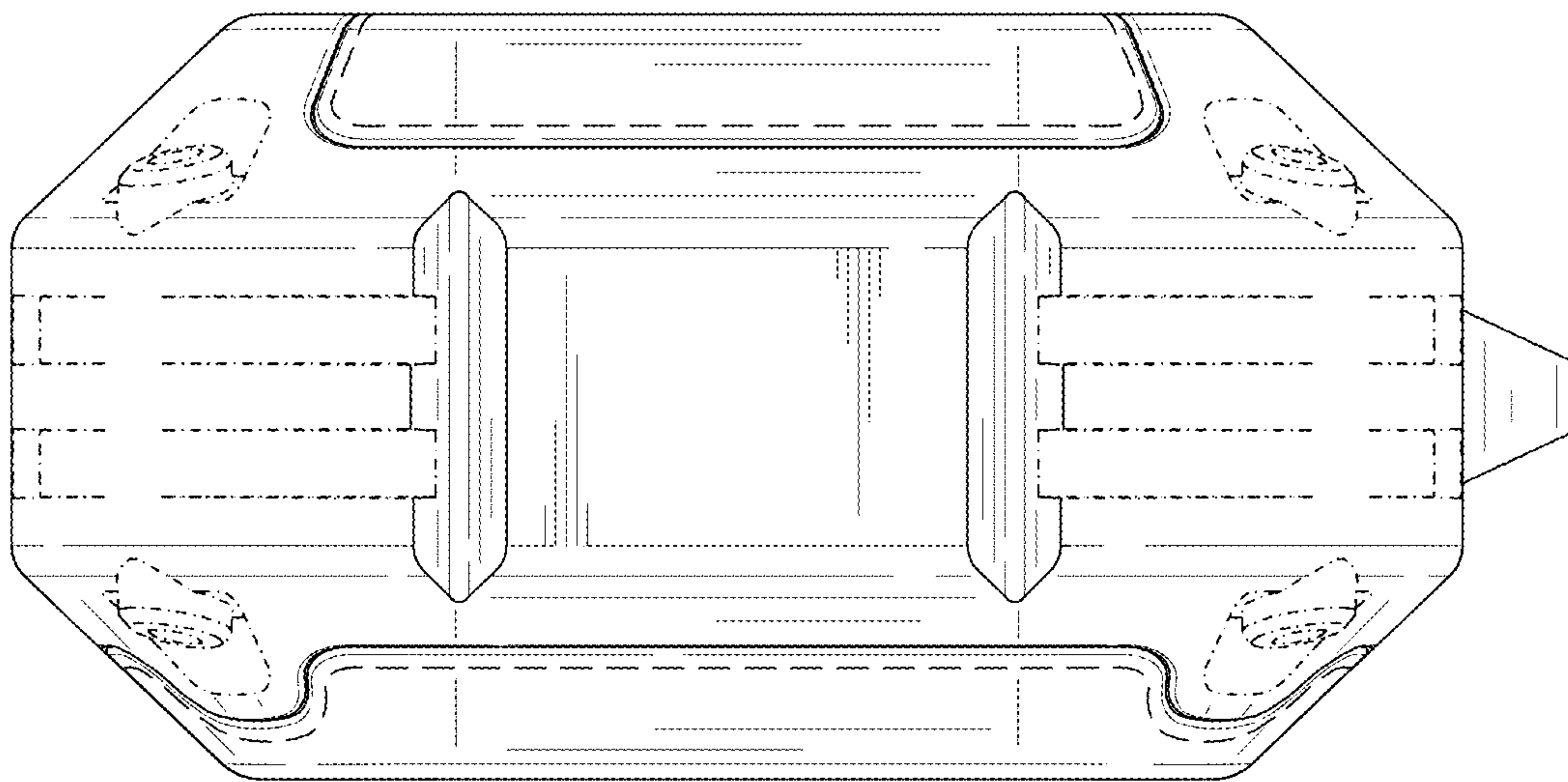


FIG. 7

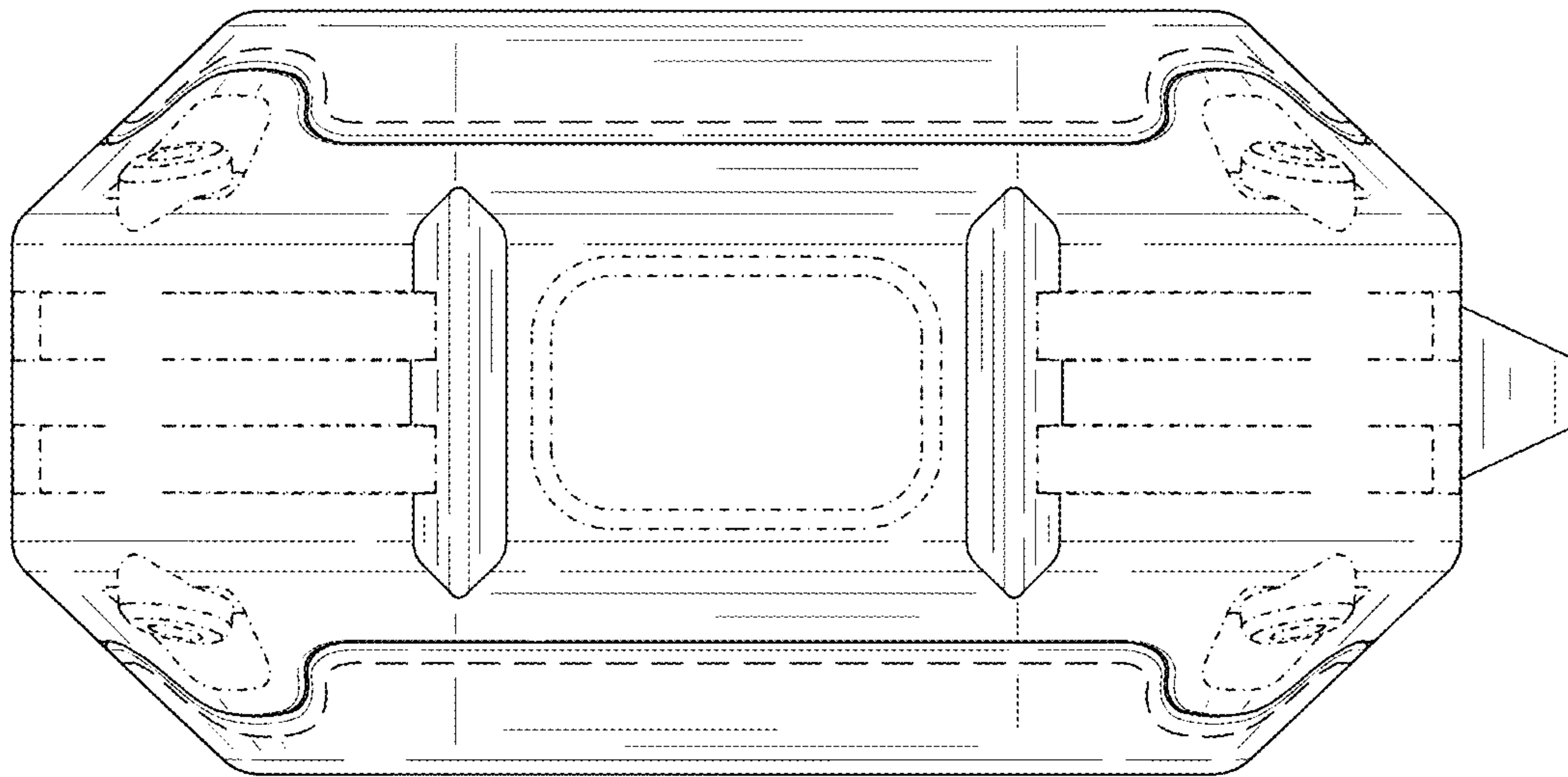


FIG. 8

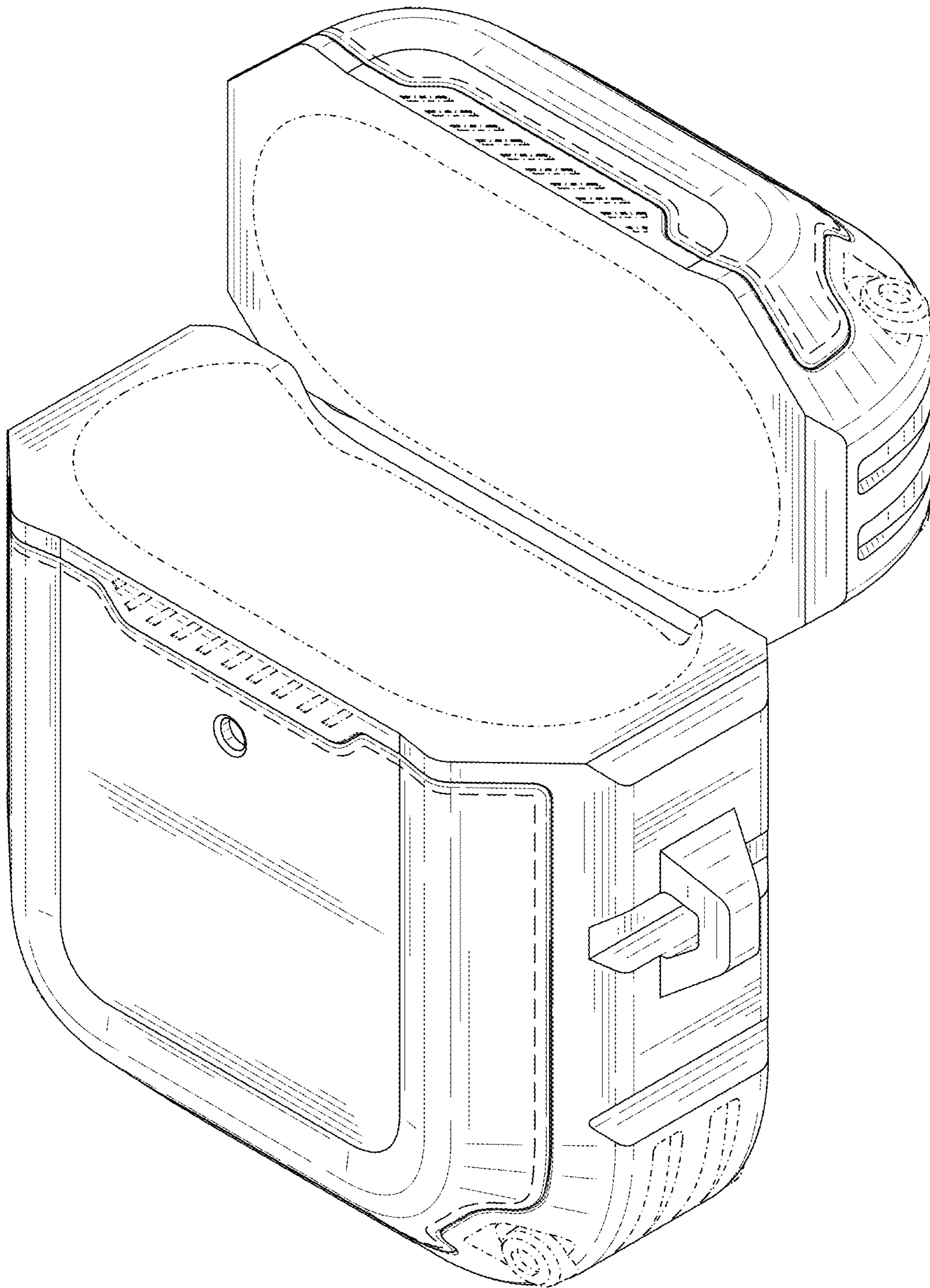


FIG. 9

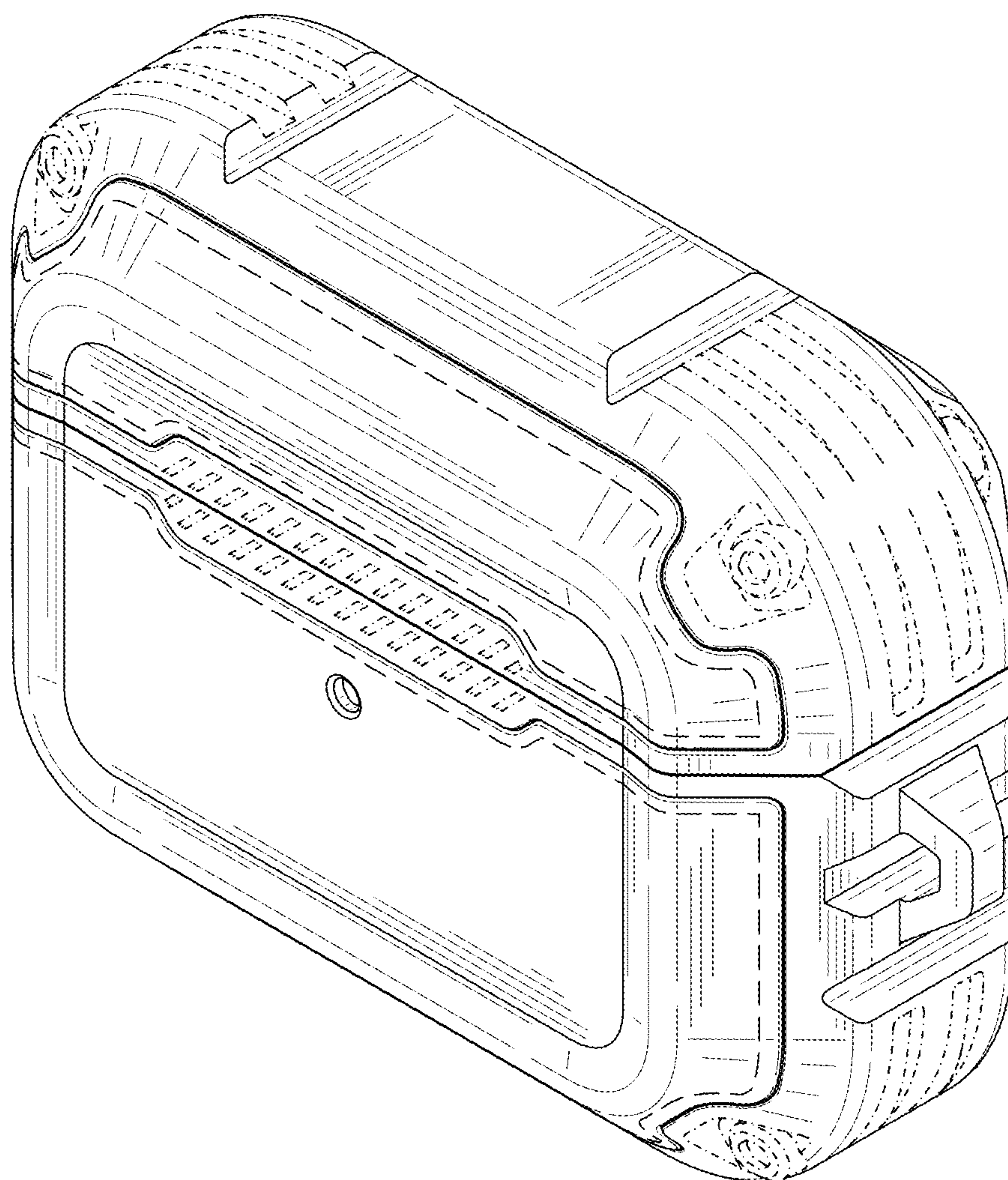


FIG. 10

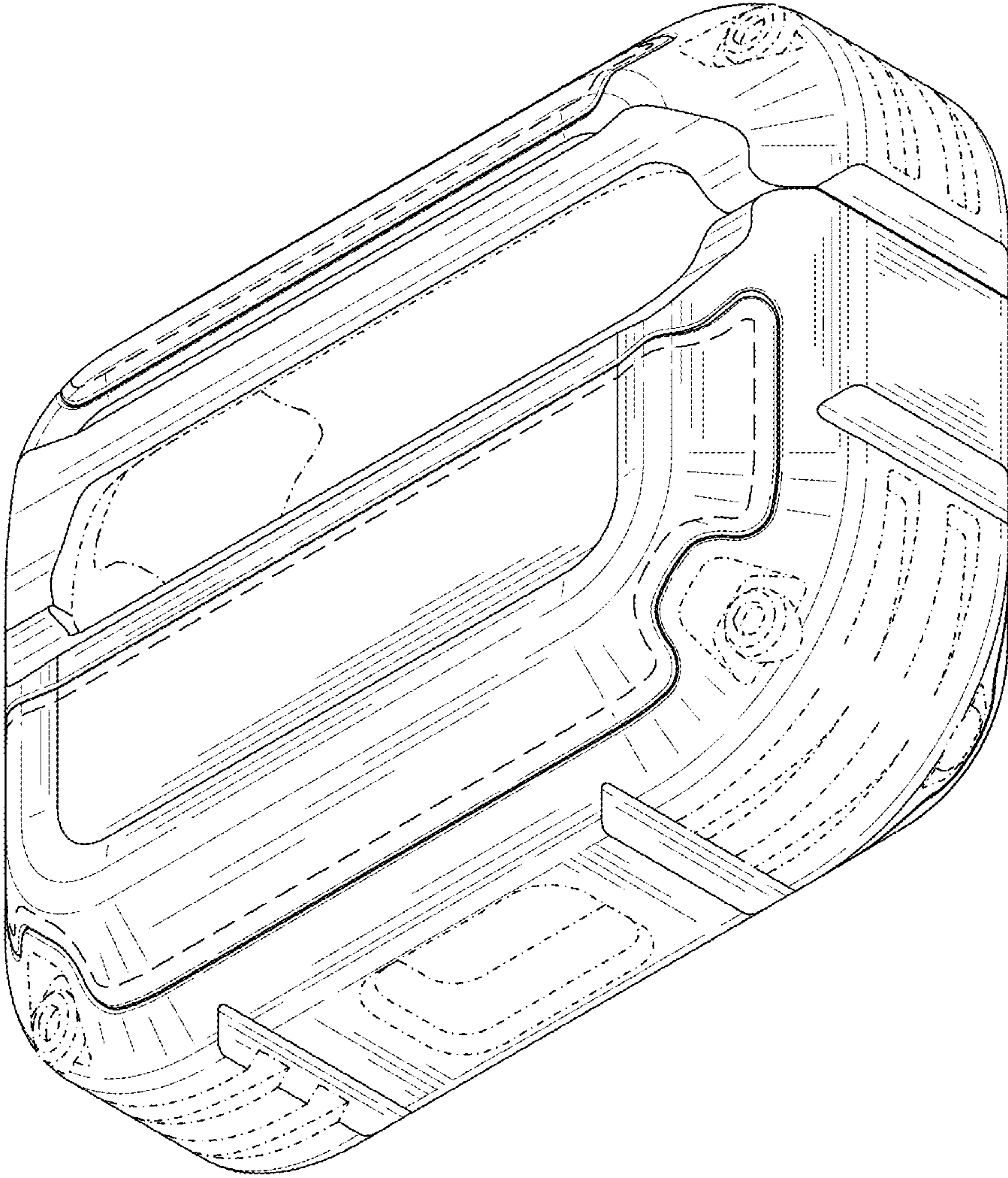


FIG. 11

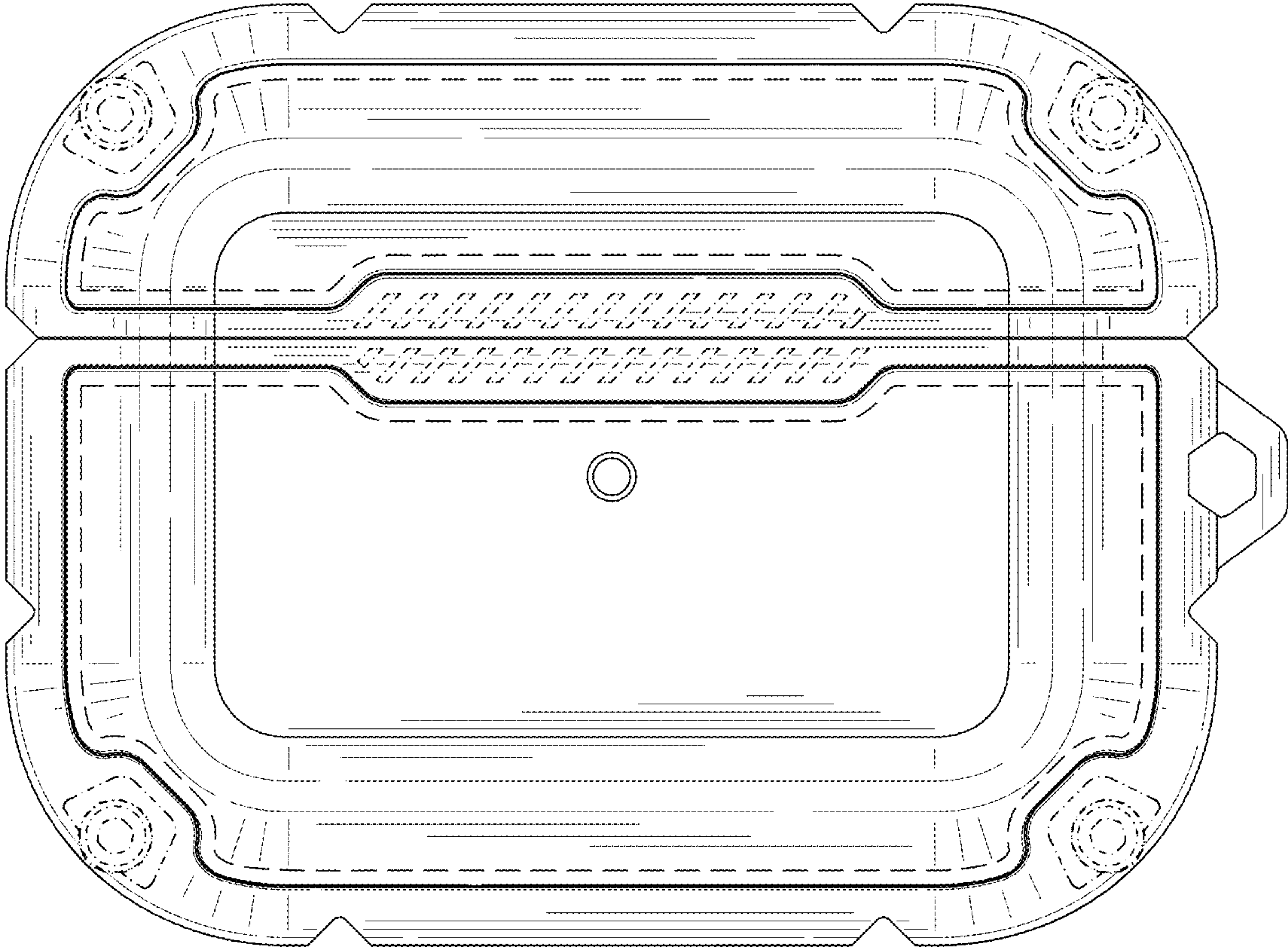


FIG. 12

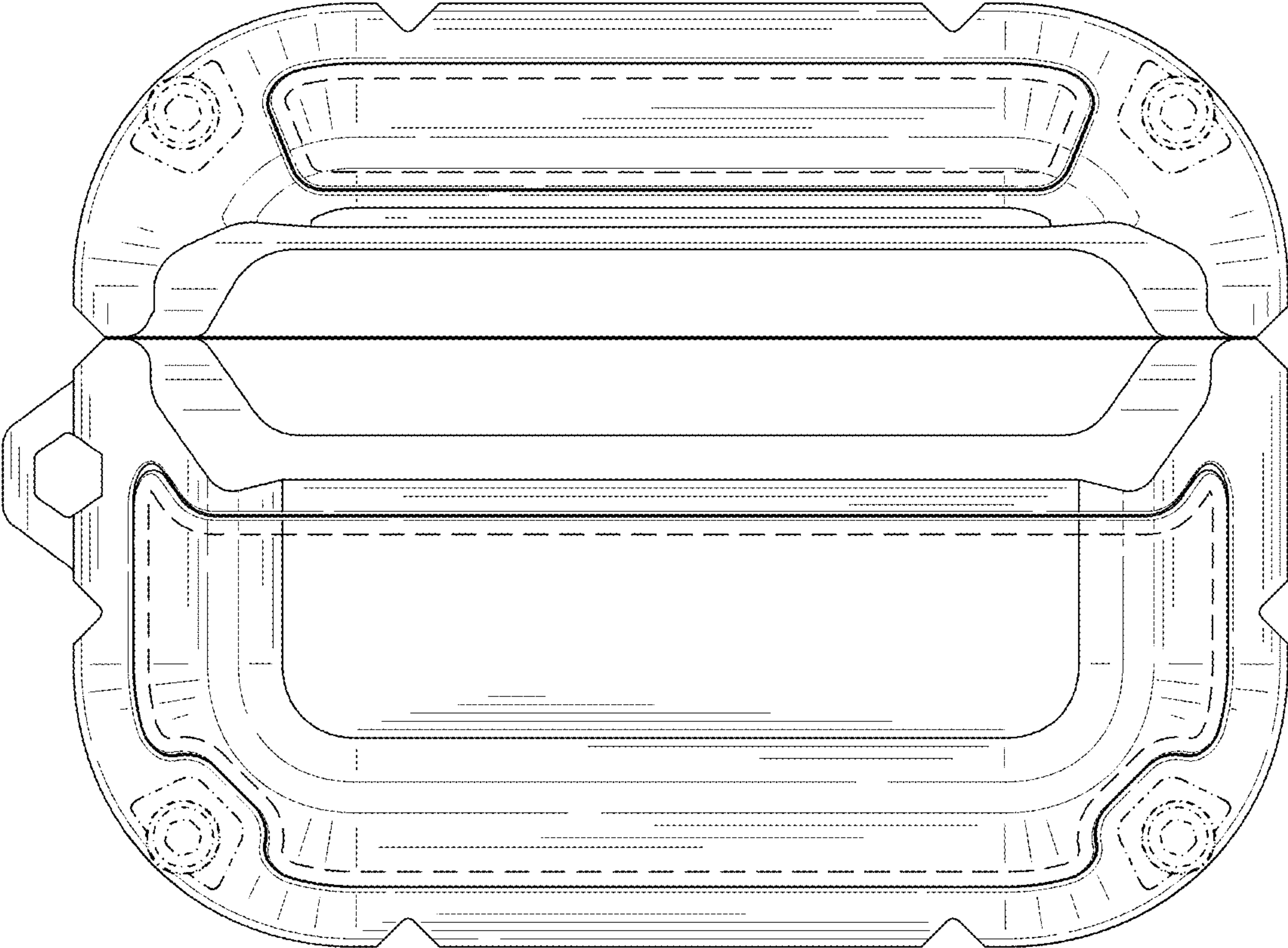


FIG. 13

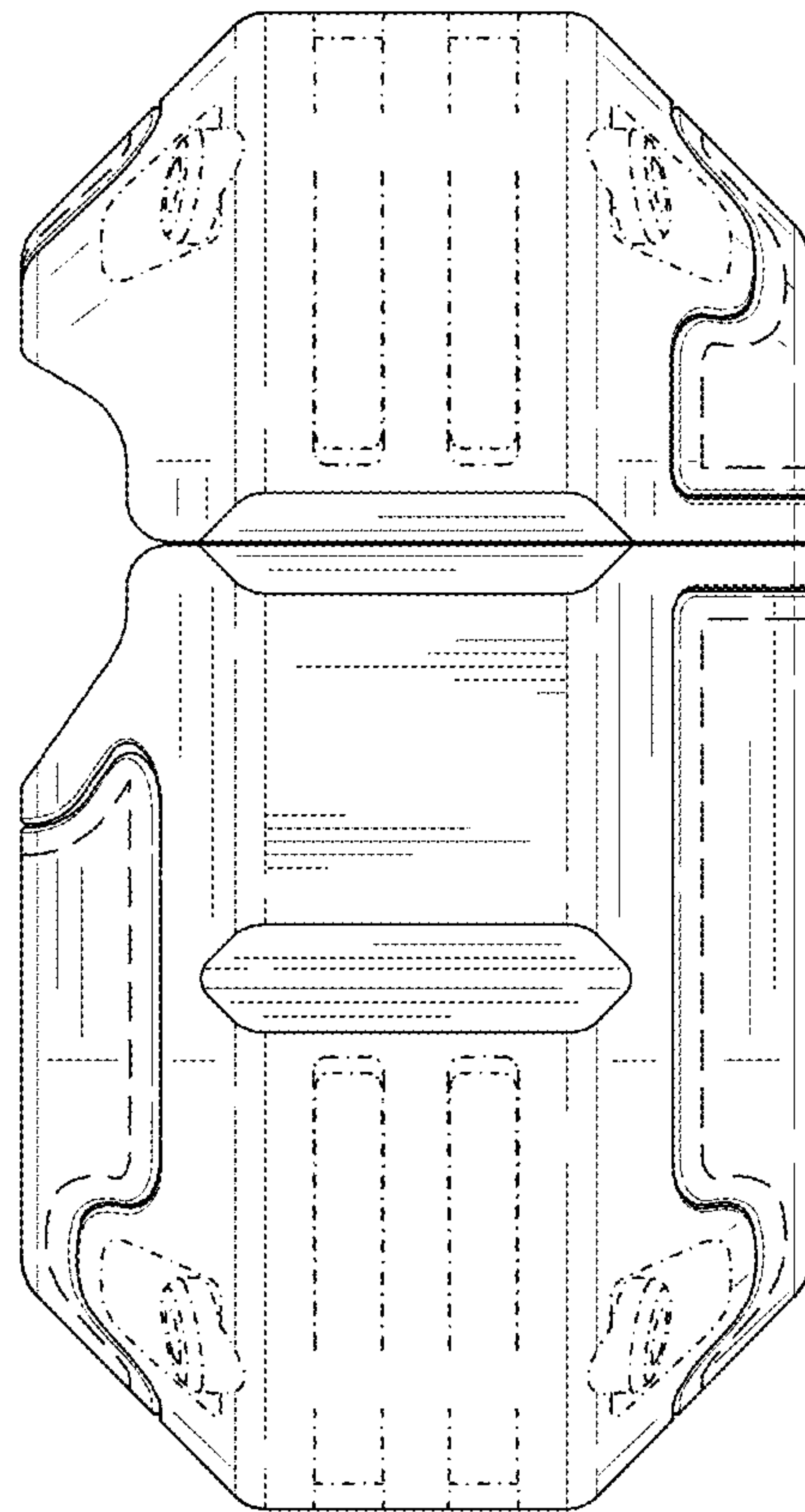


FIG. 14

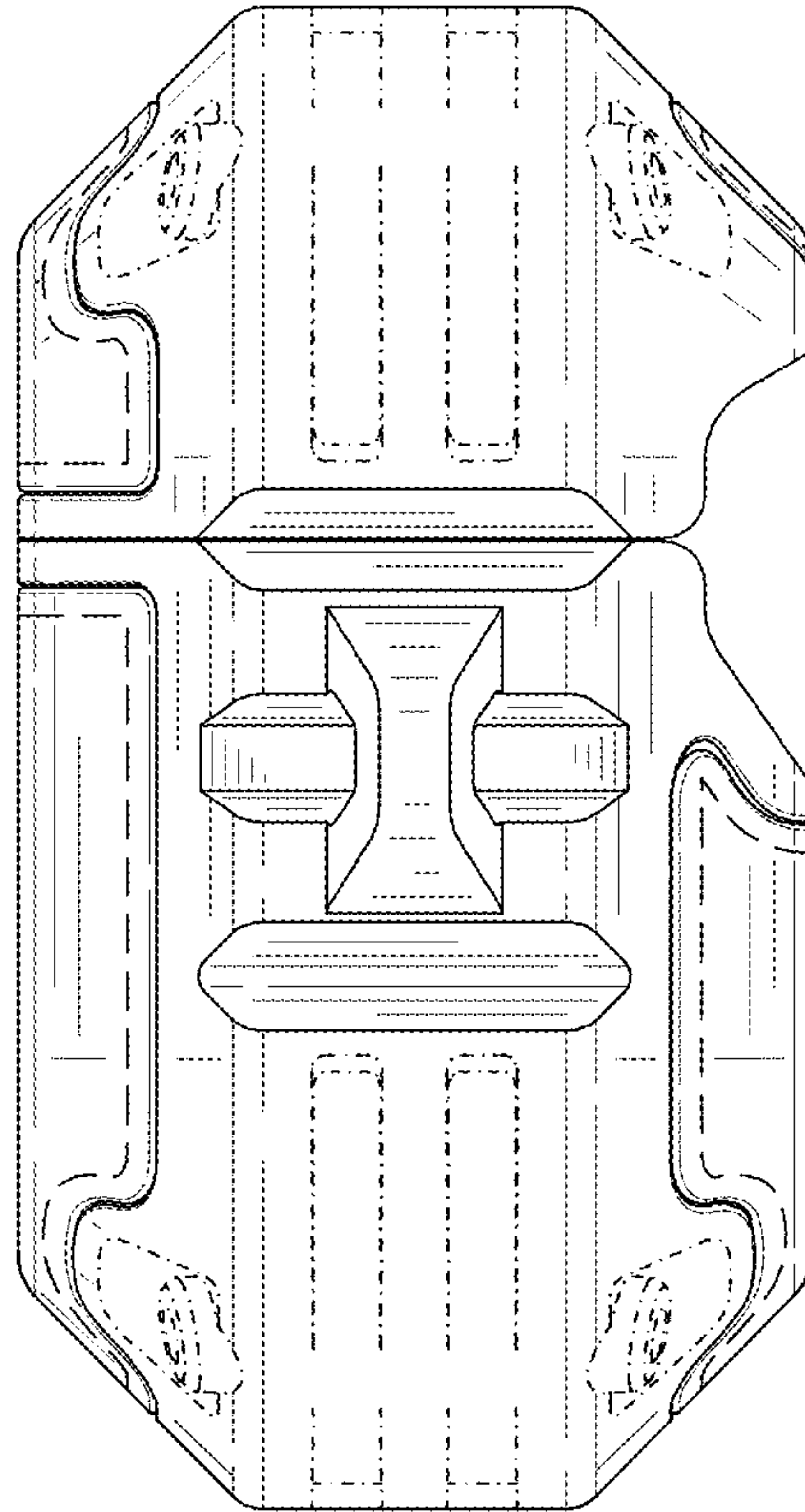


FIG. 15

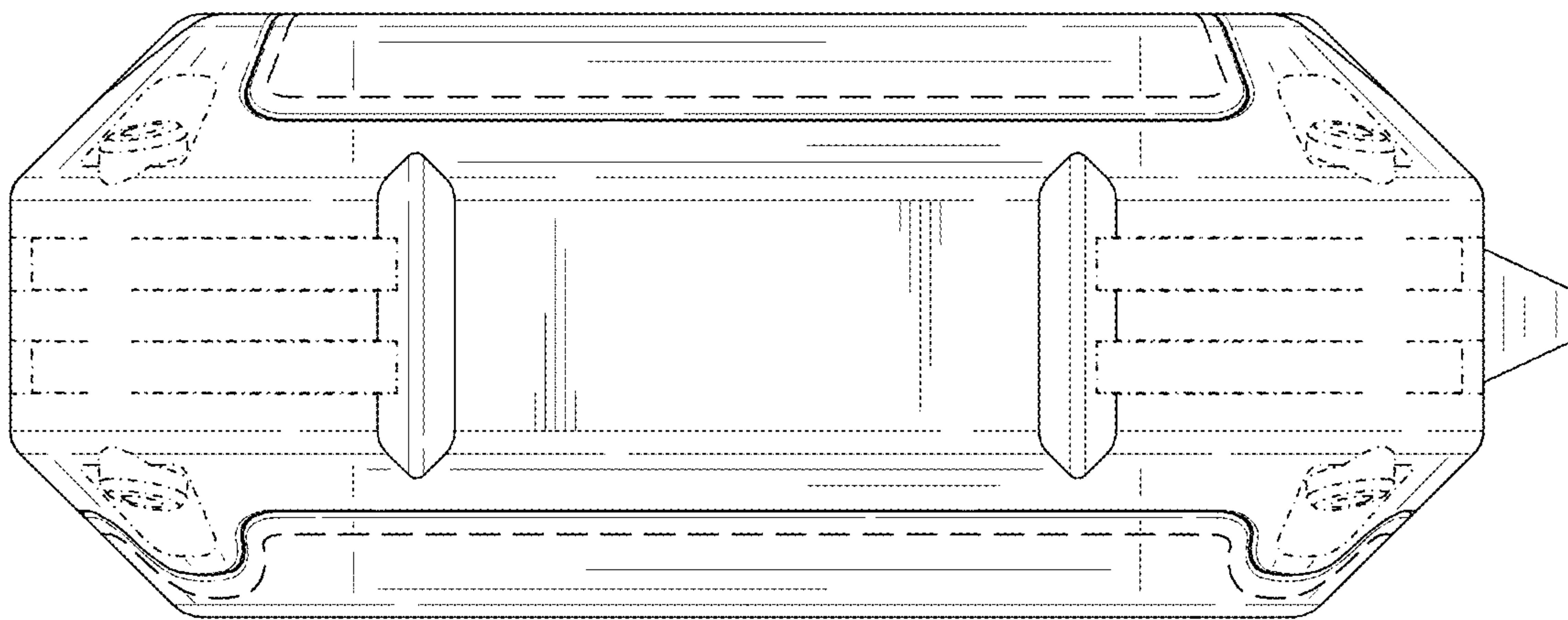


FIG. 16

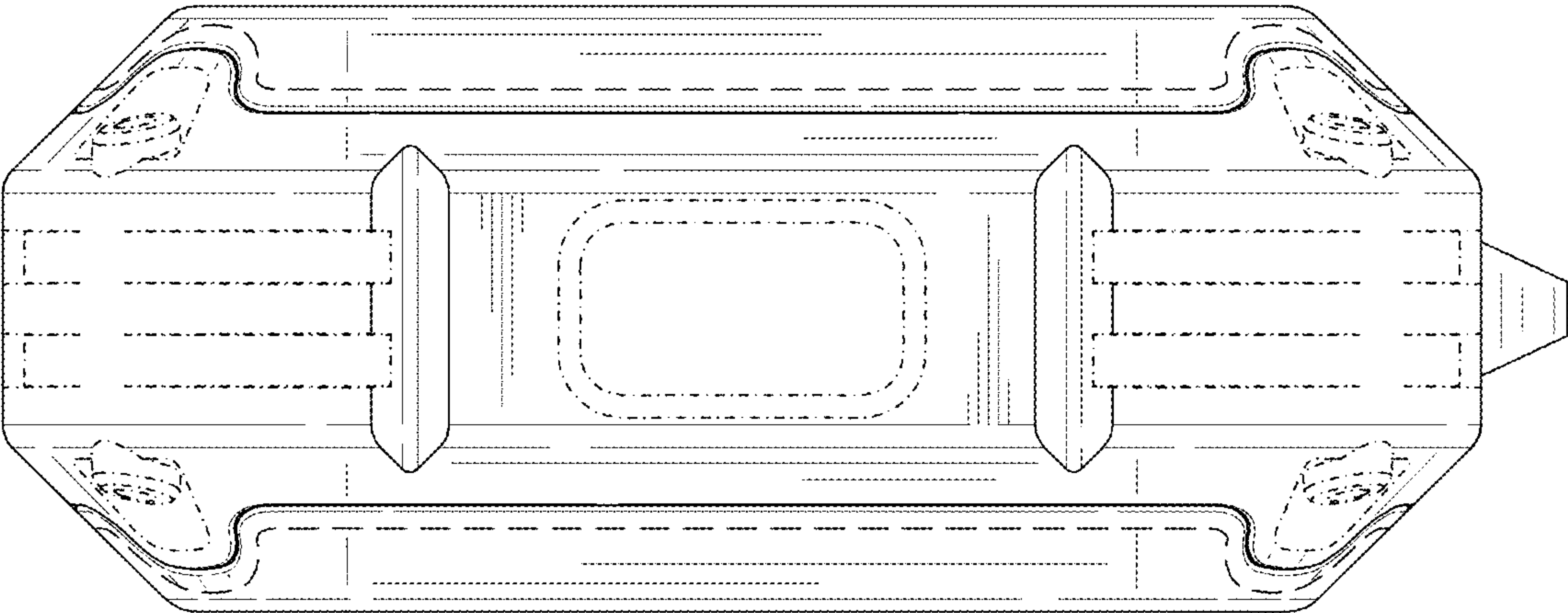


FIG. 17

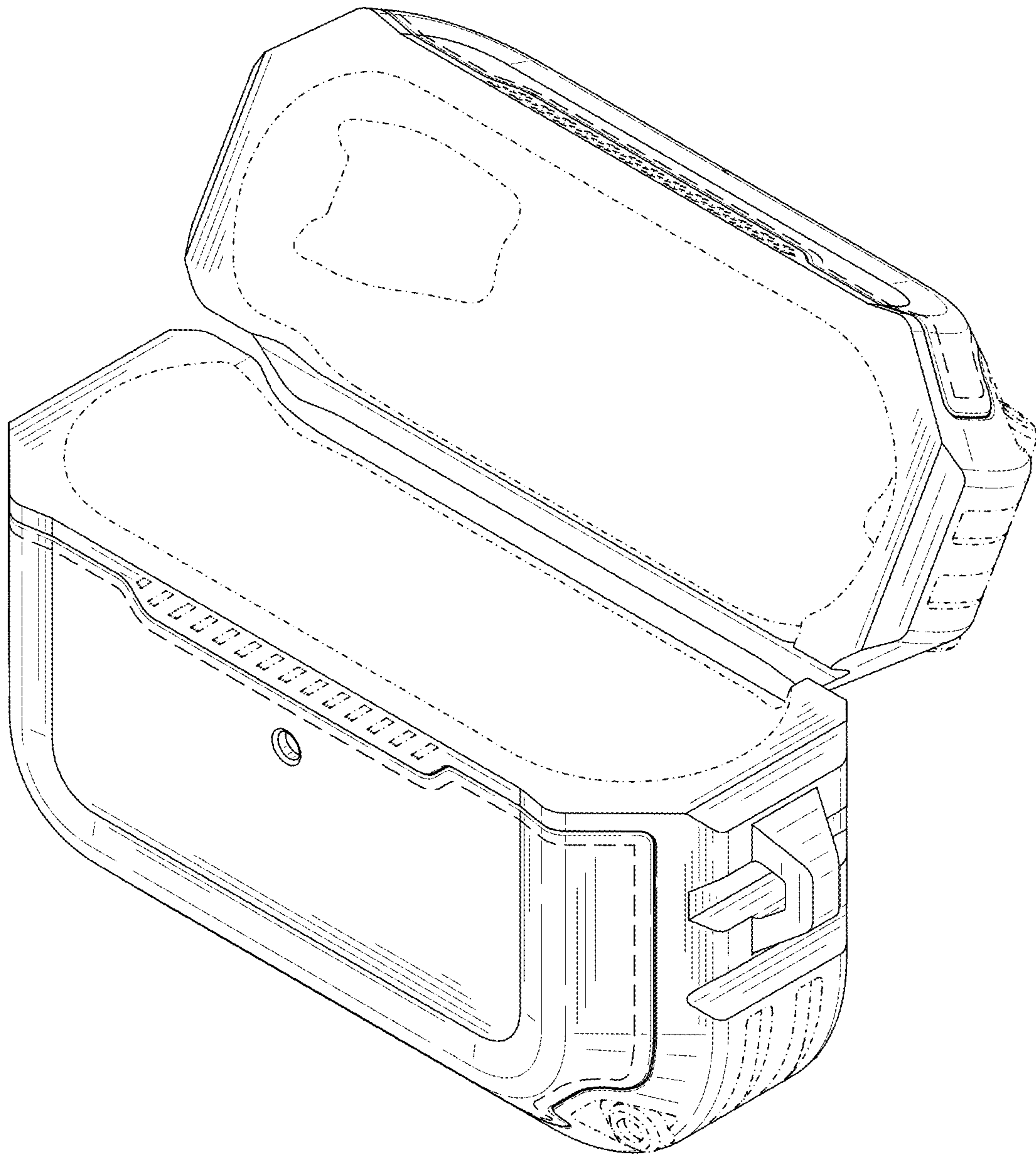


FIG. 18