



US00D960576S

(12) **United States Design Patent** (10) **Patent No.:** **US D960,576 S**
Chen (45) **Date of Patent:** **** Aug. 16, 2022**

(54) **EARPHONE CASE**
(71) Applicant: **SHENZHEN XINYAOTIAN TECHNOLOGY CO., LTD**, Shenzhen (CN)

D931,206 S * 9/2021 Briggs D3/294
D931,212 S * 9/2021 Briggs D3/294
D941,580 S * 1/2022 Liu D3/274

(72) Inventor: **Qingyao Chen**, Shenzhen (CN)
(73) Assignee: **SHENZHEN XINYAOTIAN TECHNOLOGY CO., LTD**, Shenzhen (CN)

OTHER PUBLICATIONS

Occiam Wireless Earbuds, announced Aug. 31, 2020 [online], [site visited Jan. 31, 2022]. Available from internet, URL: <<https://www.amazon.com/Bluetooth-Headphones-True-Waterproof-Microphone-Workout-Black/dp/B08H1WNYTR/?th=1>> (Year: 2020).*
Occiam Wireless Earbuds (Pink), announced Jul. 8, 2020 [online], [site visited Jan. 31, 2022]. Available from internet, URL: <https://www.amazon.com/dp/B08T65FK9H/ref=sspa_dk_detail_0?pd_rd_i=B08Y8QFQGM> (Year: 2020).*

(**) Term: **15 Years**

* cited by examiner

(21) Appl. No.: **29/774,159**

(22) Filed: **Mar. 15, 2021**

Primary Examiner — Kevin K Rudzinski
Assistant Examiner — Amber J Rabie

(51) **LOC (13) Cl.** **03-01**

(52) **U.S. Cl.**
USPC **D3/294**

(57) **CLAIM**

(58) **Field of Classification Search**
USPC D3/201, 207, 208, 209, 210, 211, 212, D3/218, 249, 273, 289, 294, 301, 302, D3/303, 702; D6/407, 629, 632, 633, D6/635
CPC H04R 1/1025; A45C 2011/001
See application file for complete search history.

The ornamental design for an earphone case, as shown and described.

DESCRIPTION

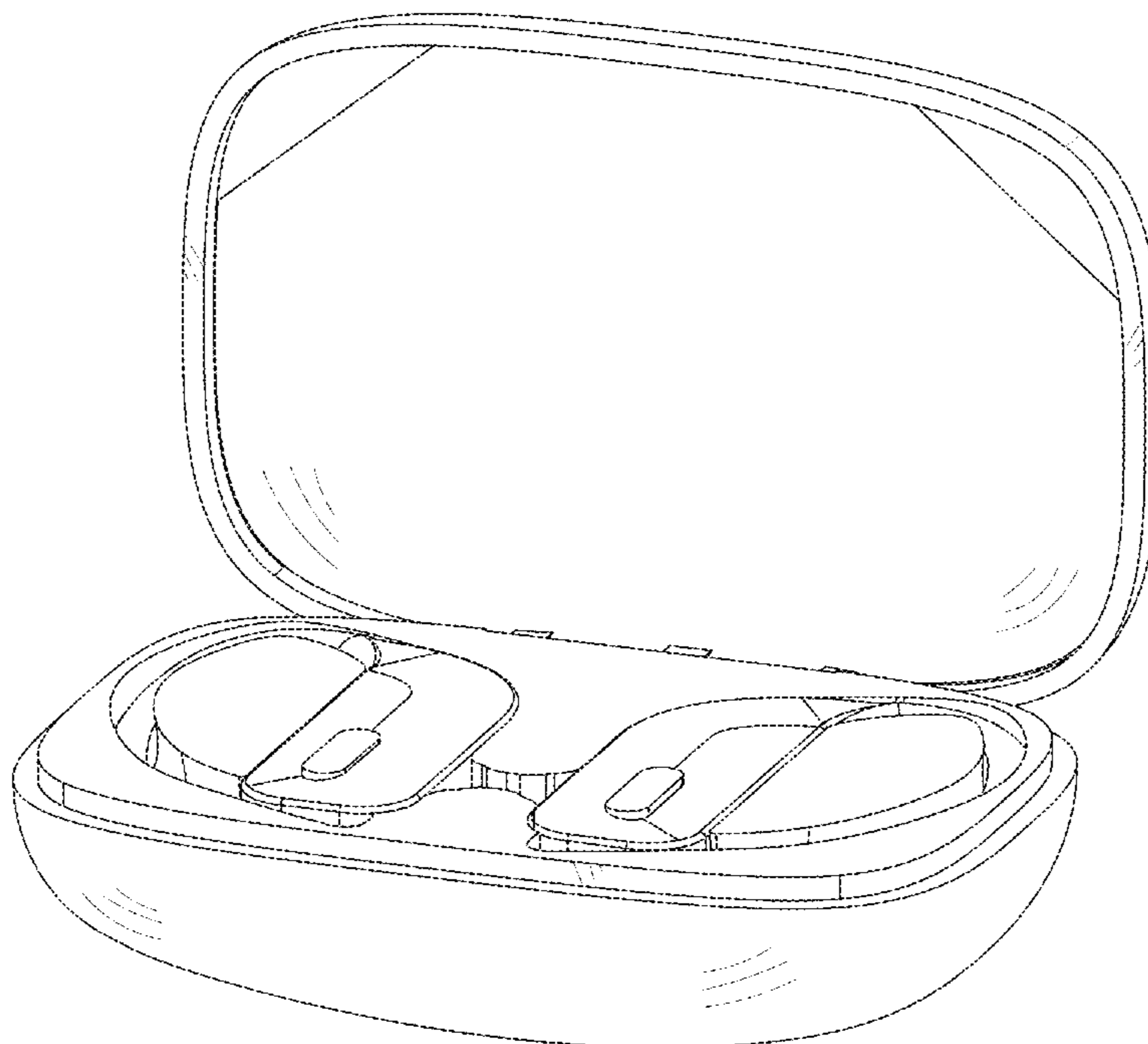
(56) **References Cited**

U.S. PATENT DOCUMENTS

D772,204 S 11/2016 Tsou
D772,572 S 11/2016 Palmberg et al.
D909,345 S * 2/2021 Huang D14/223
D911,274 S * 2/2021 Ding D13/108
D915,357 S * 4/2021 Gao D14/223
D921,362 S * 6/2021 Lu D3/294
D921,582 S * 6/2021 Liu D3/294

FIG. 1 is a front view of an earphone case showing my new design;
FIG. 2 is a rear view thereof;
FIG. 3 is a left side view thereof;
FIG. 4 is a right side view thereof;
FIG. 5 is a top plan view thereof;
FIG. 6 is a bottom plan view thereof; and,
FIG. 7 is a perspective view thereof.
The broken lines show portions of the earphone case that form no part of the claimed design.

1 Claim, 7 Drawing Sheets



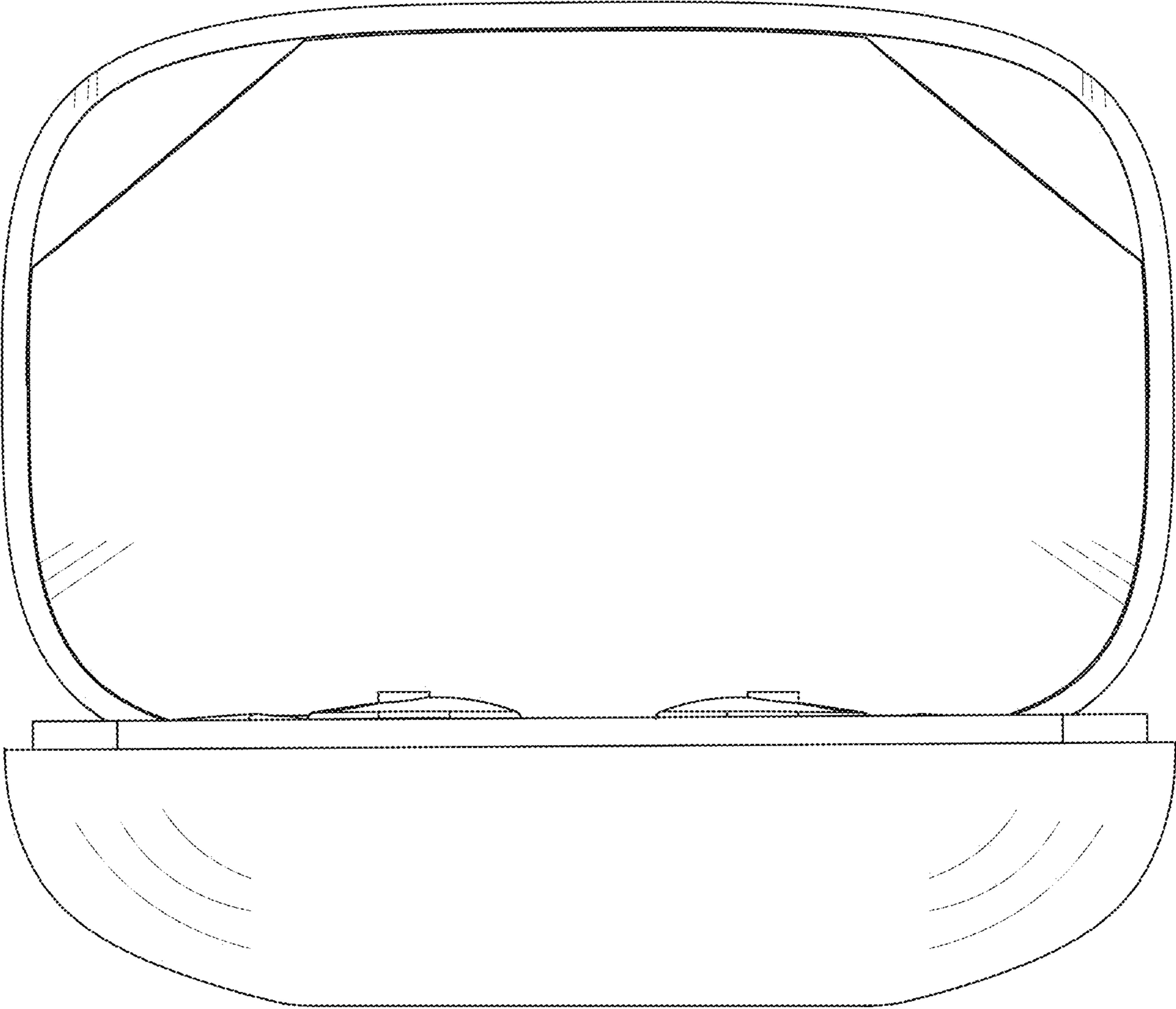


FIG. 1

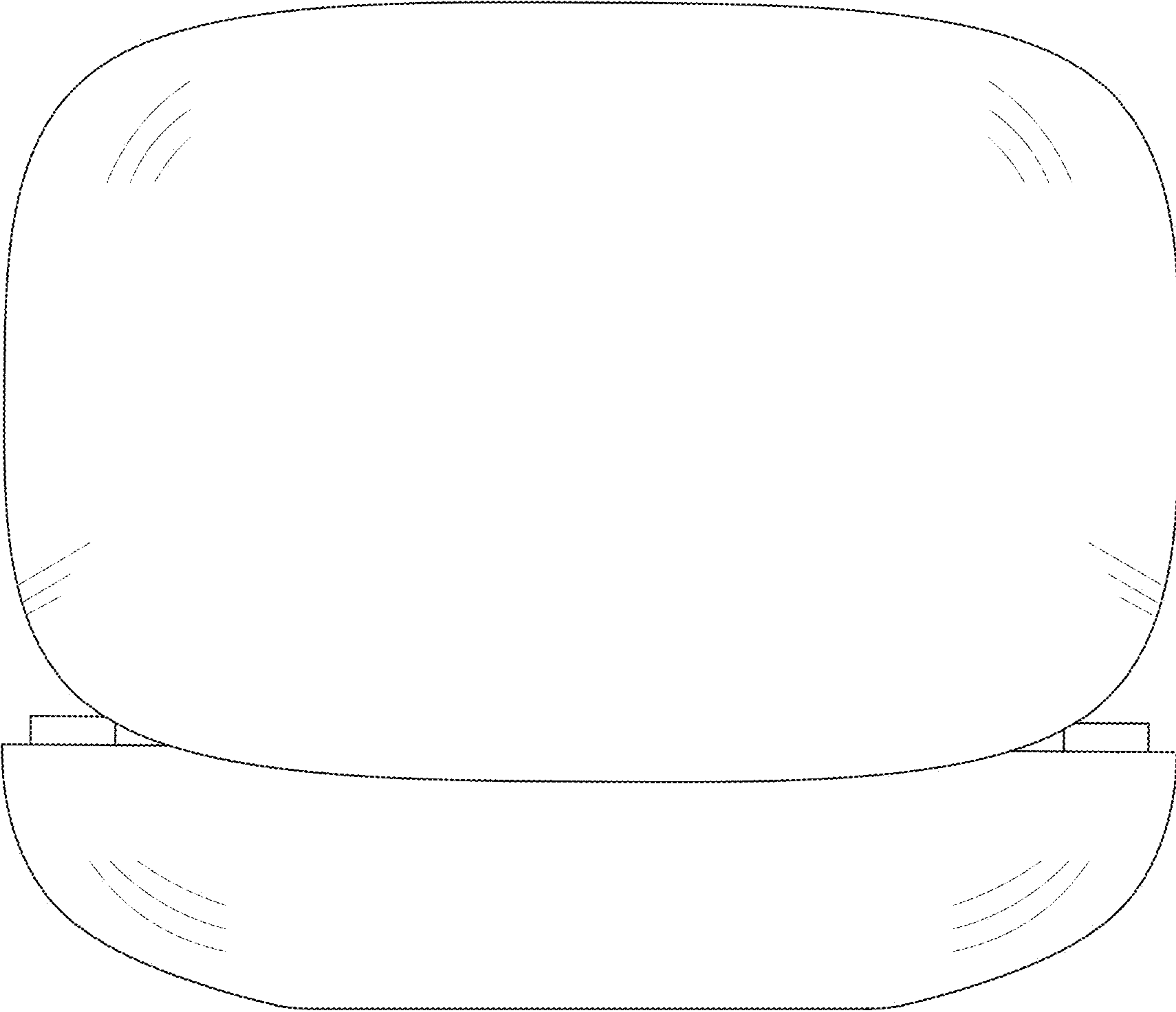


FIG. 2

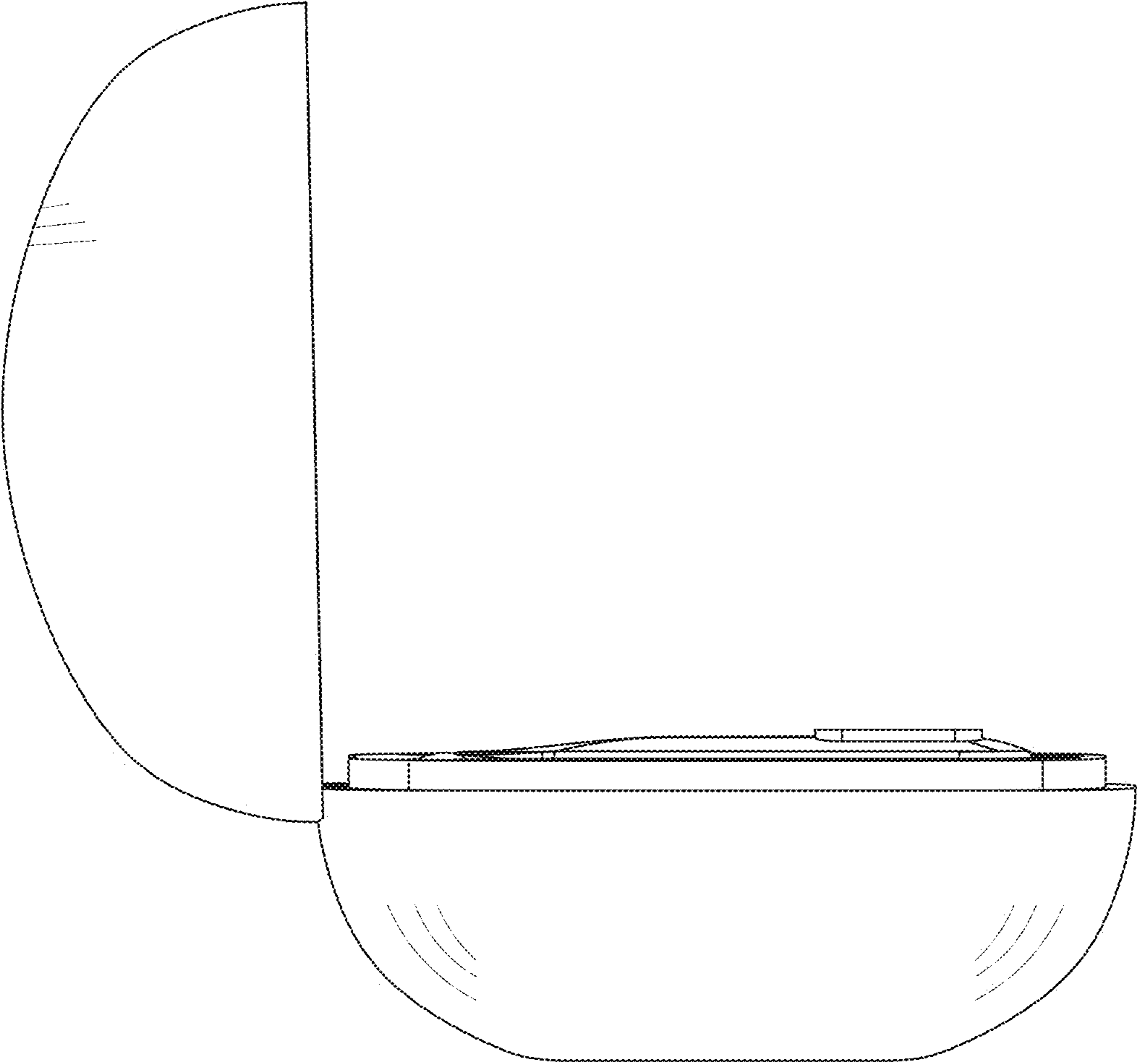


FIG. 3

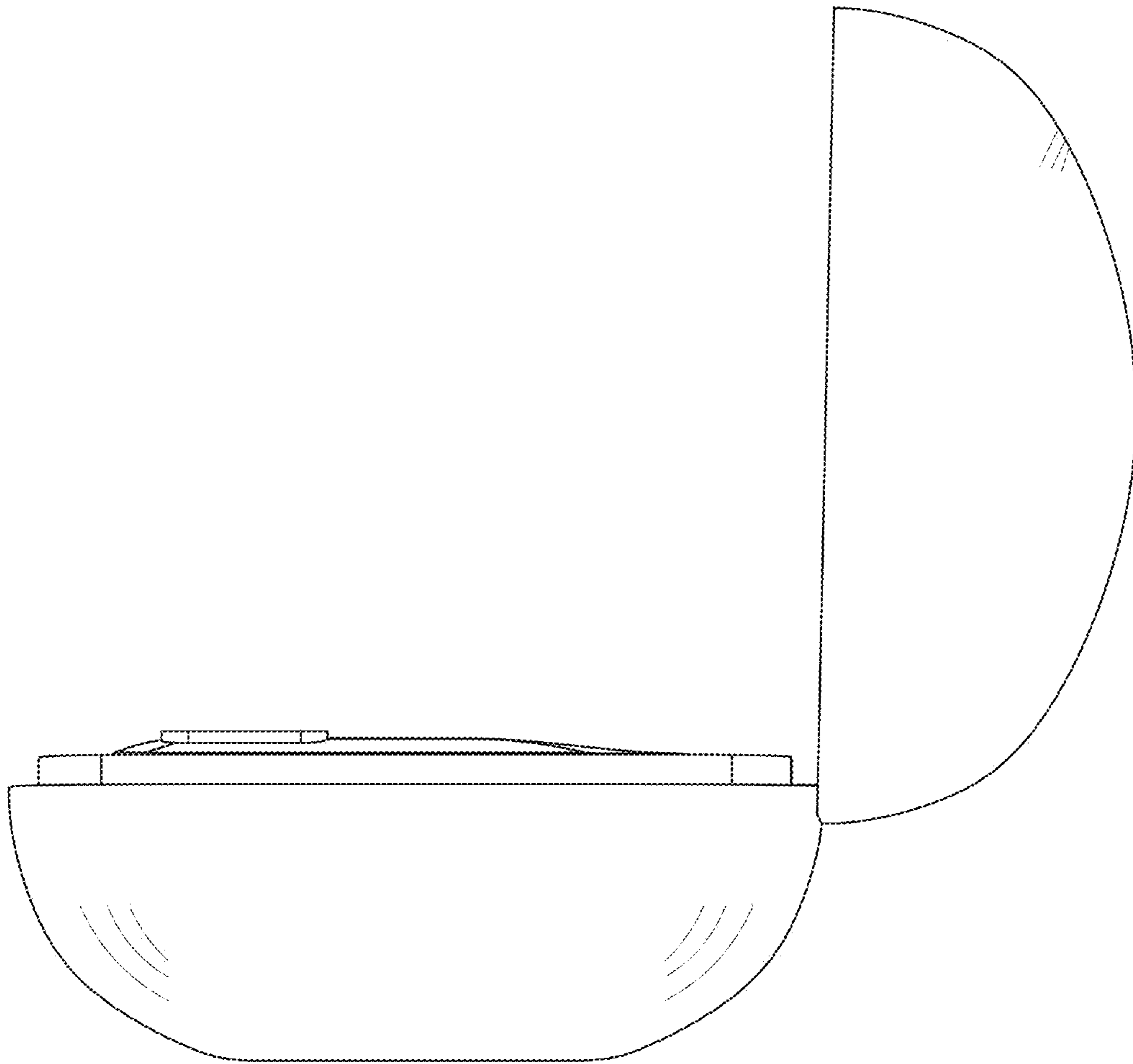


FIG. 4

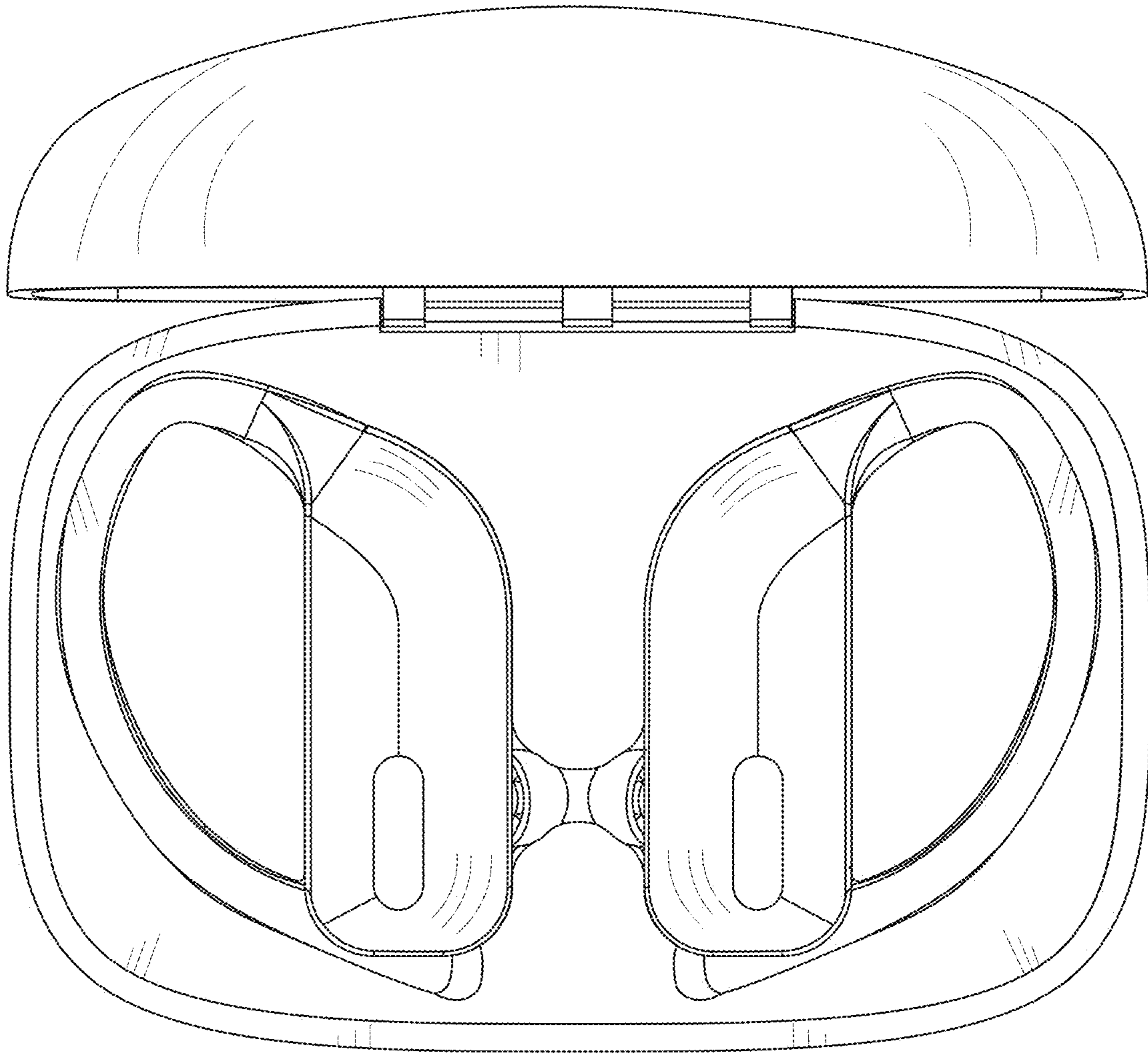


FIG. 5

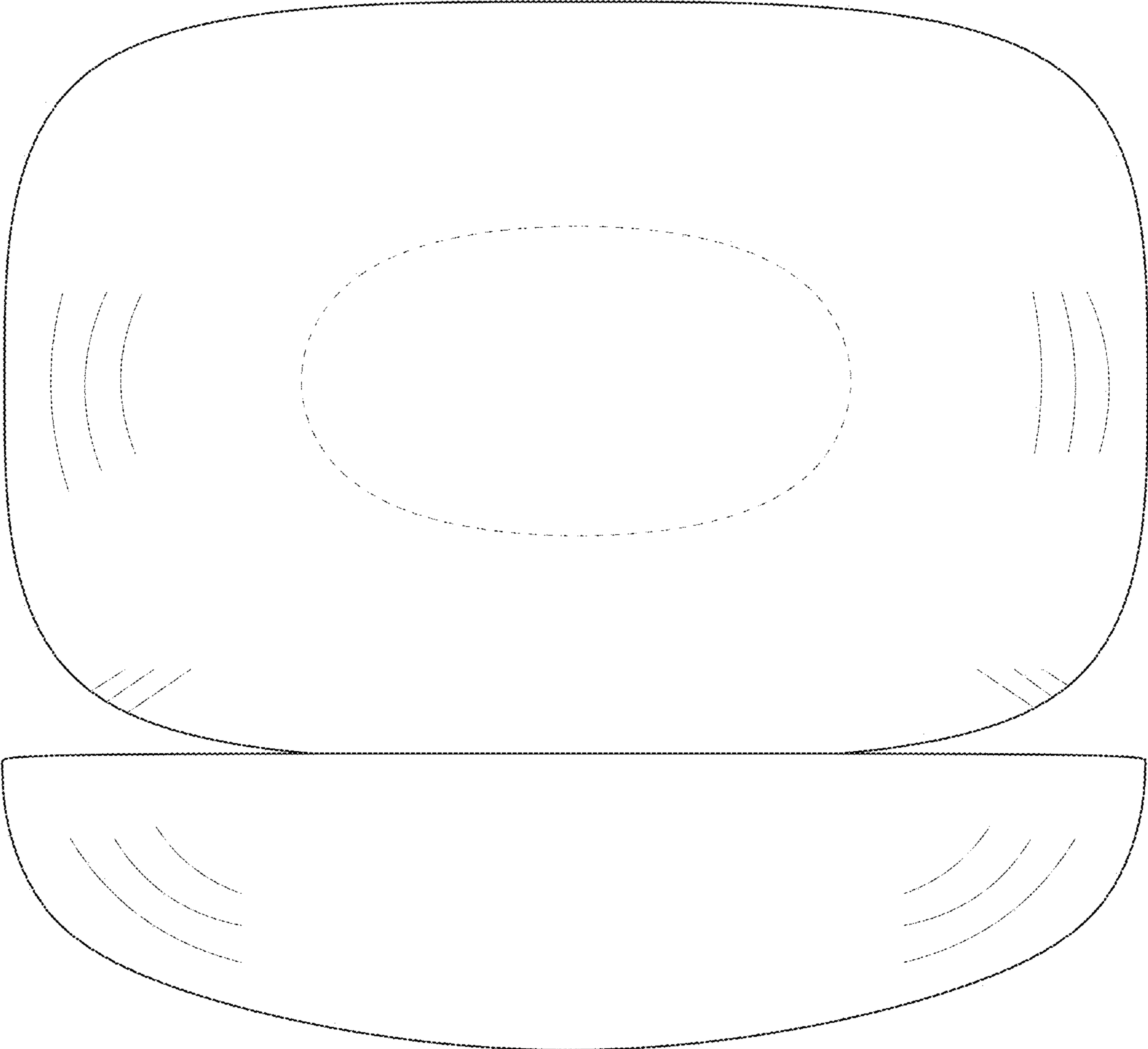


FIG. 6

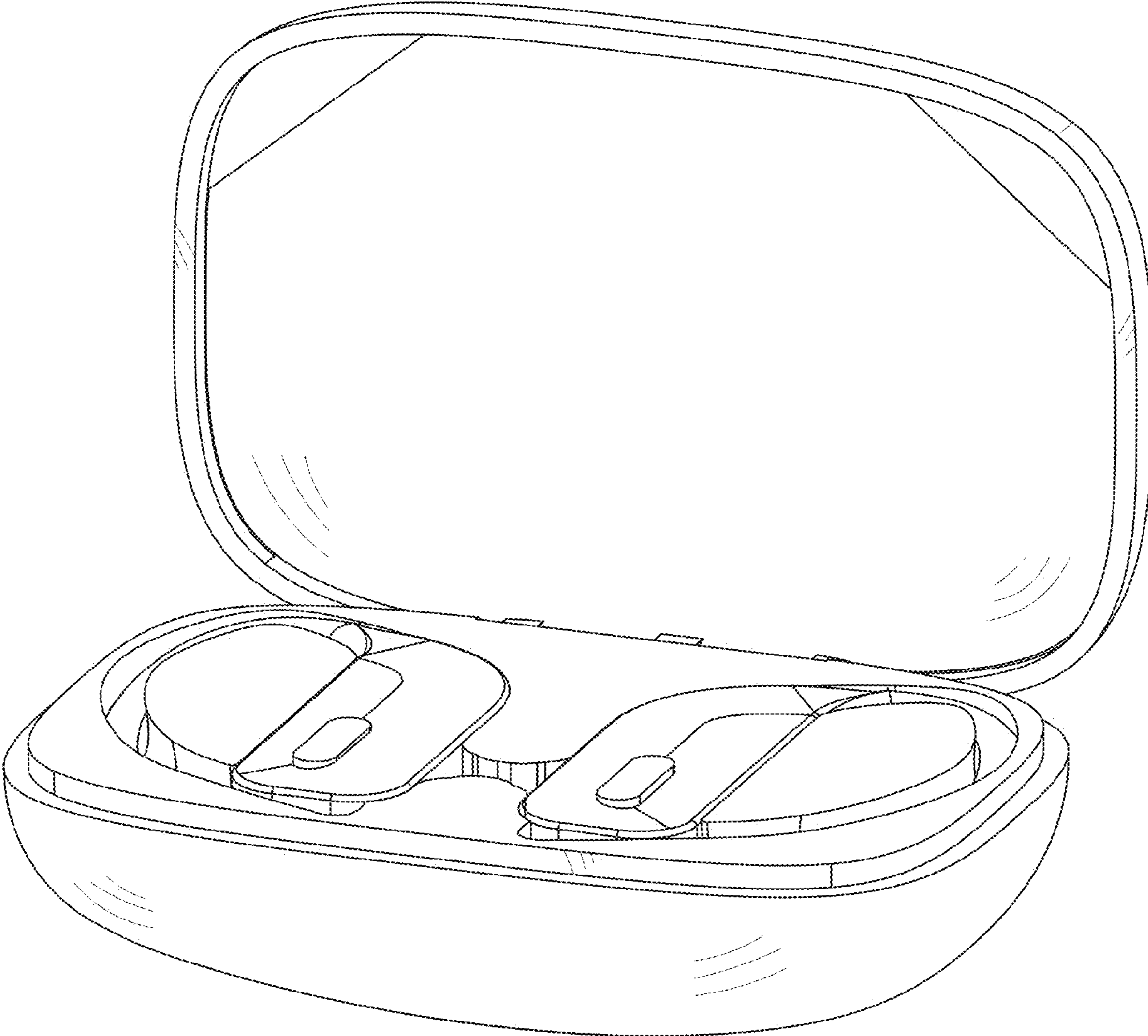


FIG. 7