



US00D960573S

(12) **United States Design Patent** (10) **Patent No.:** **US D960,573 S**
Chen (45) **Date of Patent:** **** Aug. 16, 2022**

(54) **TOOL BOX**

FOREIGN PATENT DOCUMENTS

(71) Applicant: **Chia-Lin Chen**, Taichung (TW)

CN 304701562 * 6/2018

(72) Inventor: **Chia-Lin Chen**, Taichung (TW)

OTHER PUBLICATIONS

(**) Term: **15 Years**

(21) Appl. No.: **29/737,818**

(22) Filed: **Jun. 11, 2020**

(51) **LOC (13) Cl.** **03-01**

(52) **U.S. Cl.**

USPC **D3/283**; D3/276; D3/297

(58) **Field of Classification Search**

USPC D3/272, 273, 274, 275, 276, 277, 278,
D3/279, 280, 281, 282, 283, 284, 285, 38,
D3/74, 201, 204, 221, 254, 260, 286, 294,
D3/295, 299, 904, 905, 290, 901, 902,
D3/903, 305; D6/336, 440, 663, 667,
D6/552, 559, 432, 447, 671.1; D28/9;
D7/701, 702, 703; D9/420; D34/5, 19,
D34/20, 21, 197; D18/59

CPC A47C 1/146; B65D 51/04; B62B 1/12;
A45C 13/03

See application file for complete search history.

Amazon.com, Site visited Feb. 8, 2022, Homak 3 Drawer Tool Box, First Available Oct. 29, 2009, <https://www.amazon.com/Homak-Industrial-3-Drawer-Friction-BW00203200/dp/B002VM4KRE> (Year: 2009).*

Amazon.com, Site visited Feb. 7, 2022, Gearwrench 3 Drawer Steel Tool Box, First available Nov. 12, 2011, <https://www.amazon.com/GEARWRENCH-83151-Drawer-Tool-Box/dp/B0060VG188> (Year: 2011).*

Amazon.com, Site visited Feb. 8, 2022, Craftsman Tool Chest, First Available Nov. 1, 2018, <https://www.amazon.com/CMST82764BK-Drawer-Bearing-Chest-Black/dp/B07KHHDJGF> (Year: 2018).*

* cited by examiner

Primary Examiner — Brett Miller

Assistant Examiner — Jessica M Gebhart

(57) **CLAIM**

The ornamental design for a tool box, as shown and described.

DESCRIPTION

FIG. 1 is a perspective view of a tool box showing my new design;

FIG. 2 is a front side view thereof;

FIG. 3 is a back side view thereof;

FIG. 4 is a left side view thereof;

FIG. 5 is a right side view thereof;

FIG. 6 is a top plan view thereof; and,

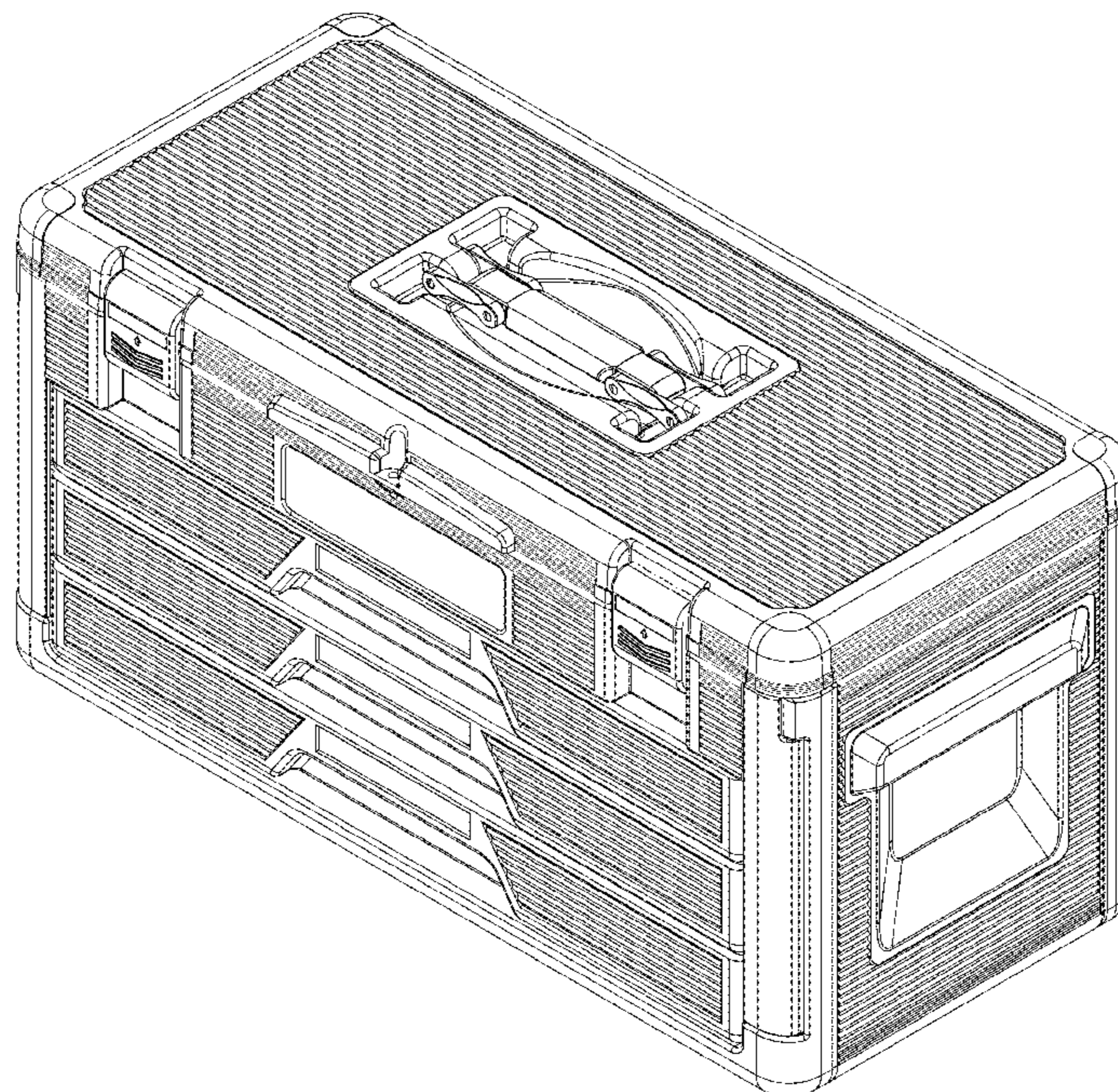
FIG. 7 is a bottom plan view thereof.

1 Claim, 5 Drawing Sheets

(56) **References Cited**

U.S. PATENT DOCUMENTS

D298,584 S	*	11/1988	Newby, Sr.	D3/905
D386,626 S	*	11/1997	Yemini	D3/283
D434,225 S	*	11/2000	Story	D3/276
D645,249 S	*	9/2011	Chang	D6/671.1
D668,474 S	*	10/2012	Lim	D6/667
D764,797 S	*	8/2016	Horovitz	D3/276
D803,560 S	*	11/2017	Kuhls	D3/905
D837,516 S	*	1/2019	Shpitzer	D3/297
D858,099 S	*	9/2019	Zhang	D6/671.1



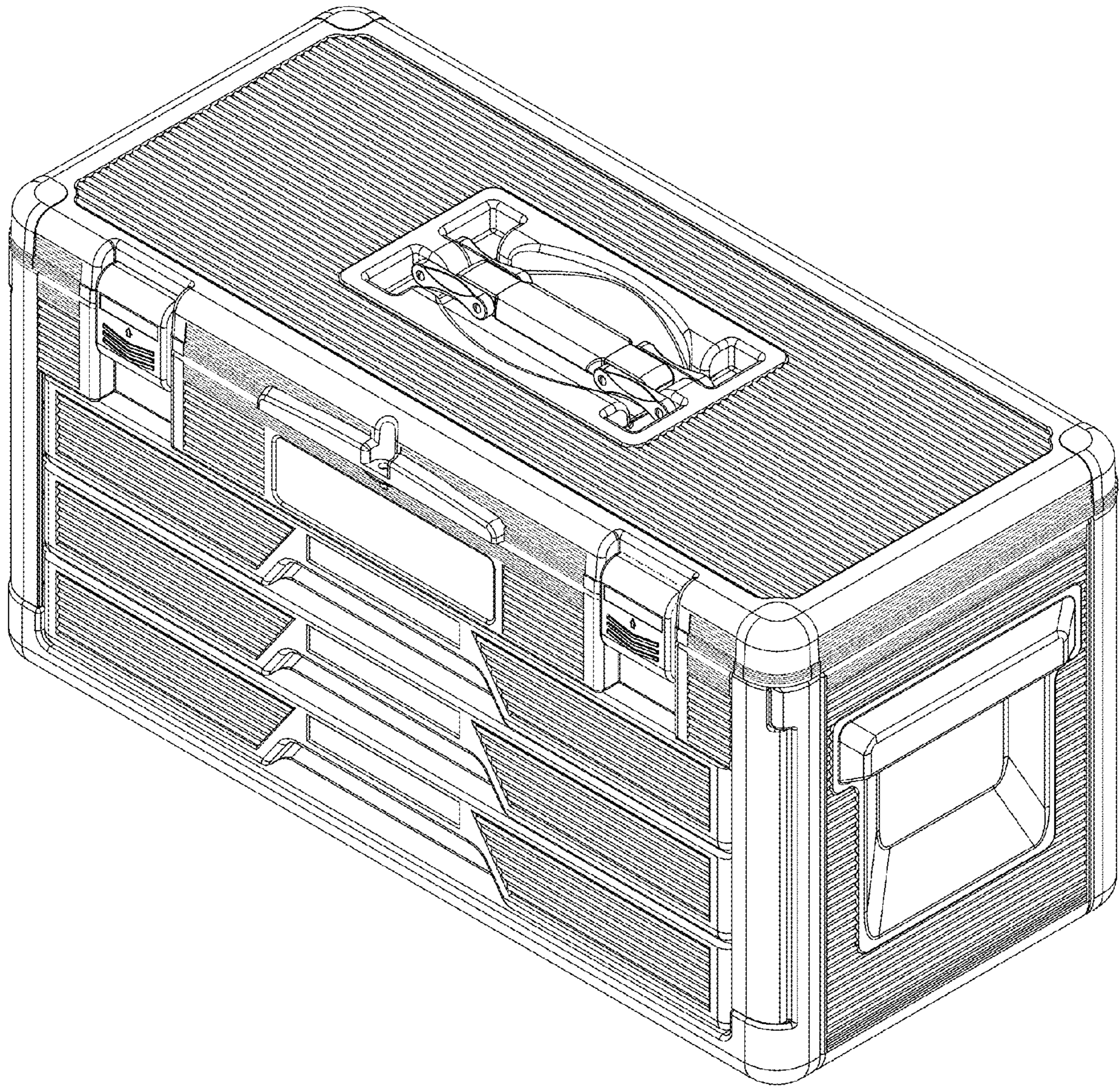


FIG. 1

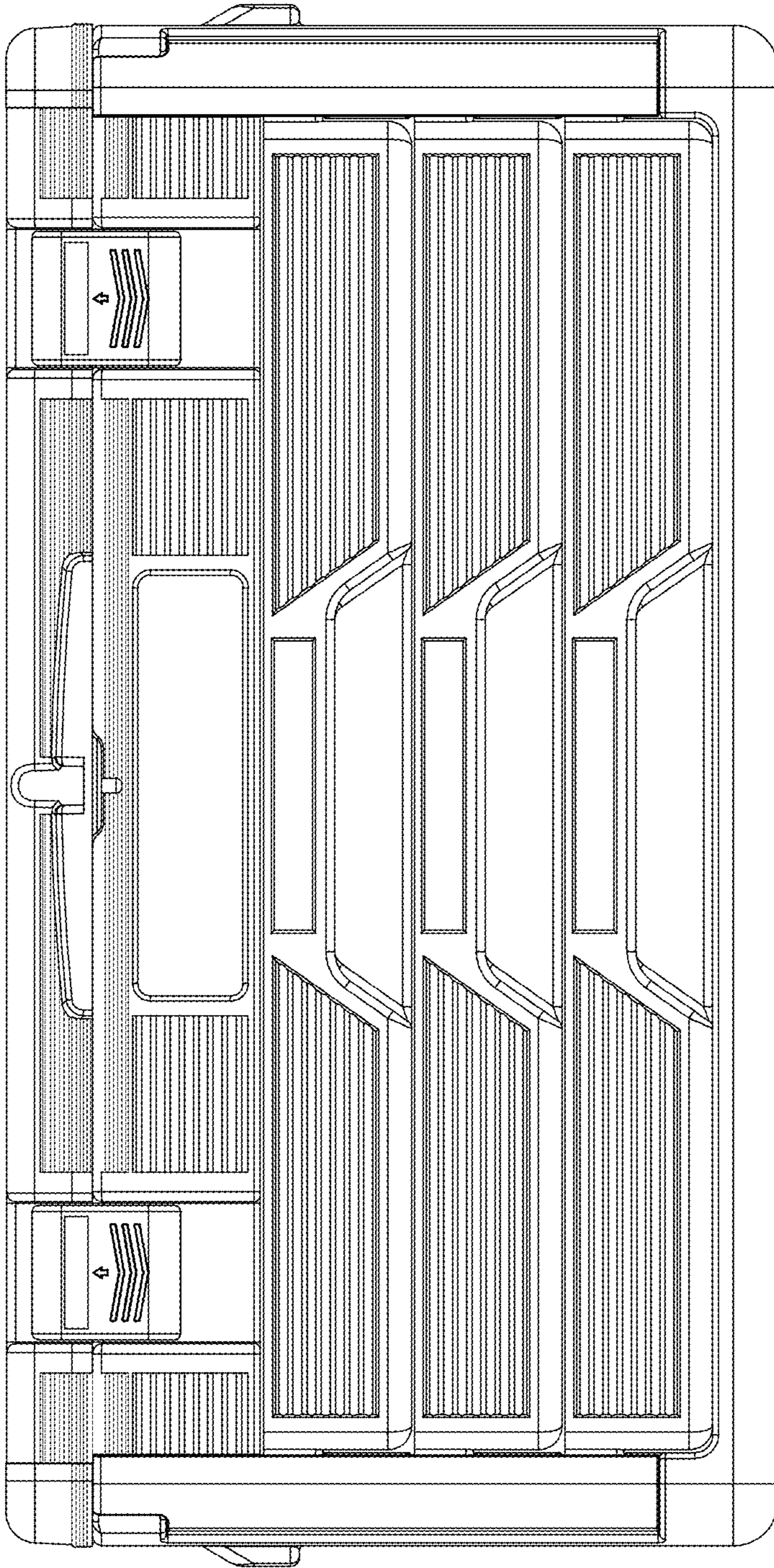


FIG. 2

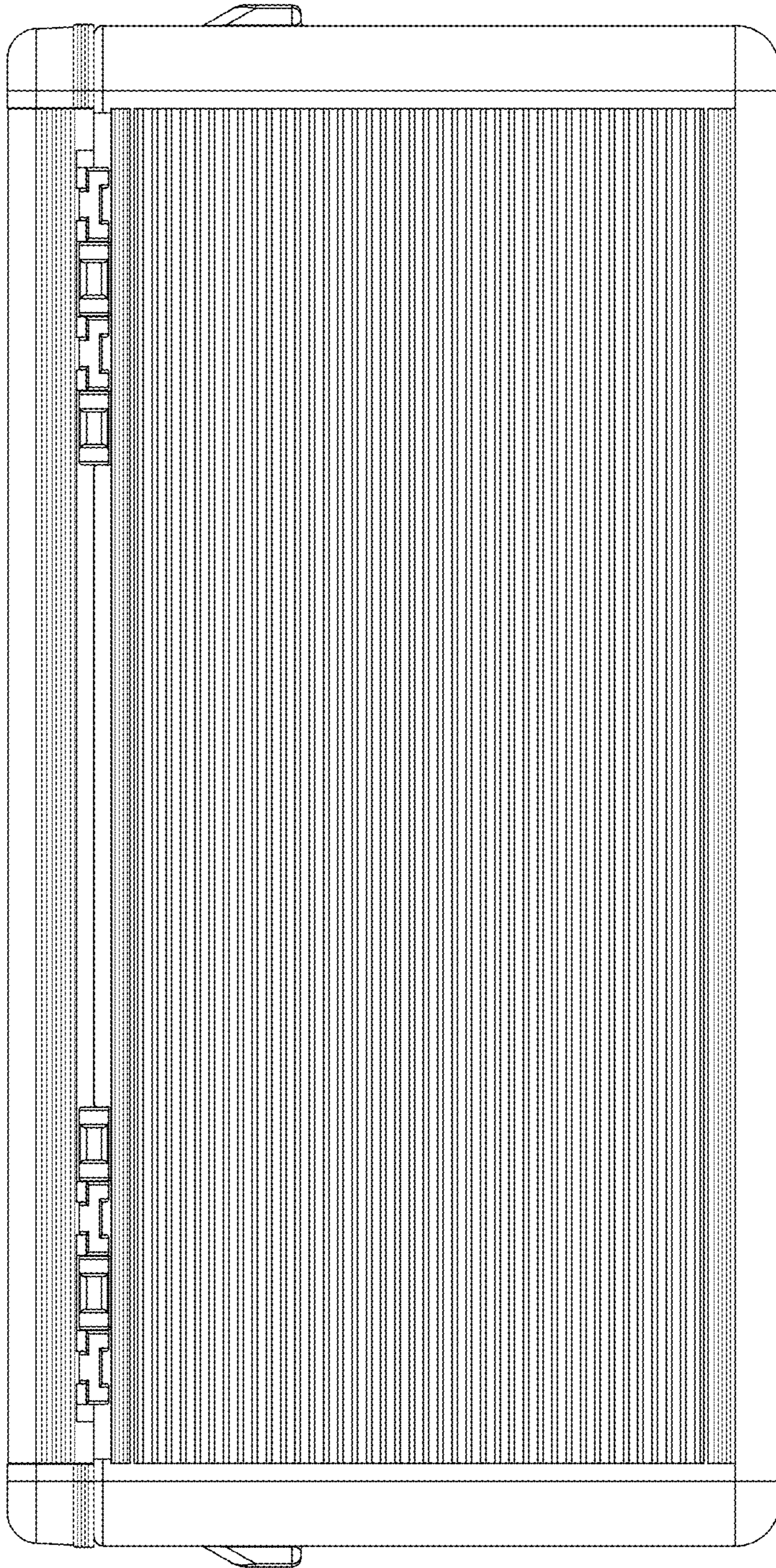


FIG. 3

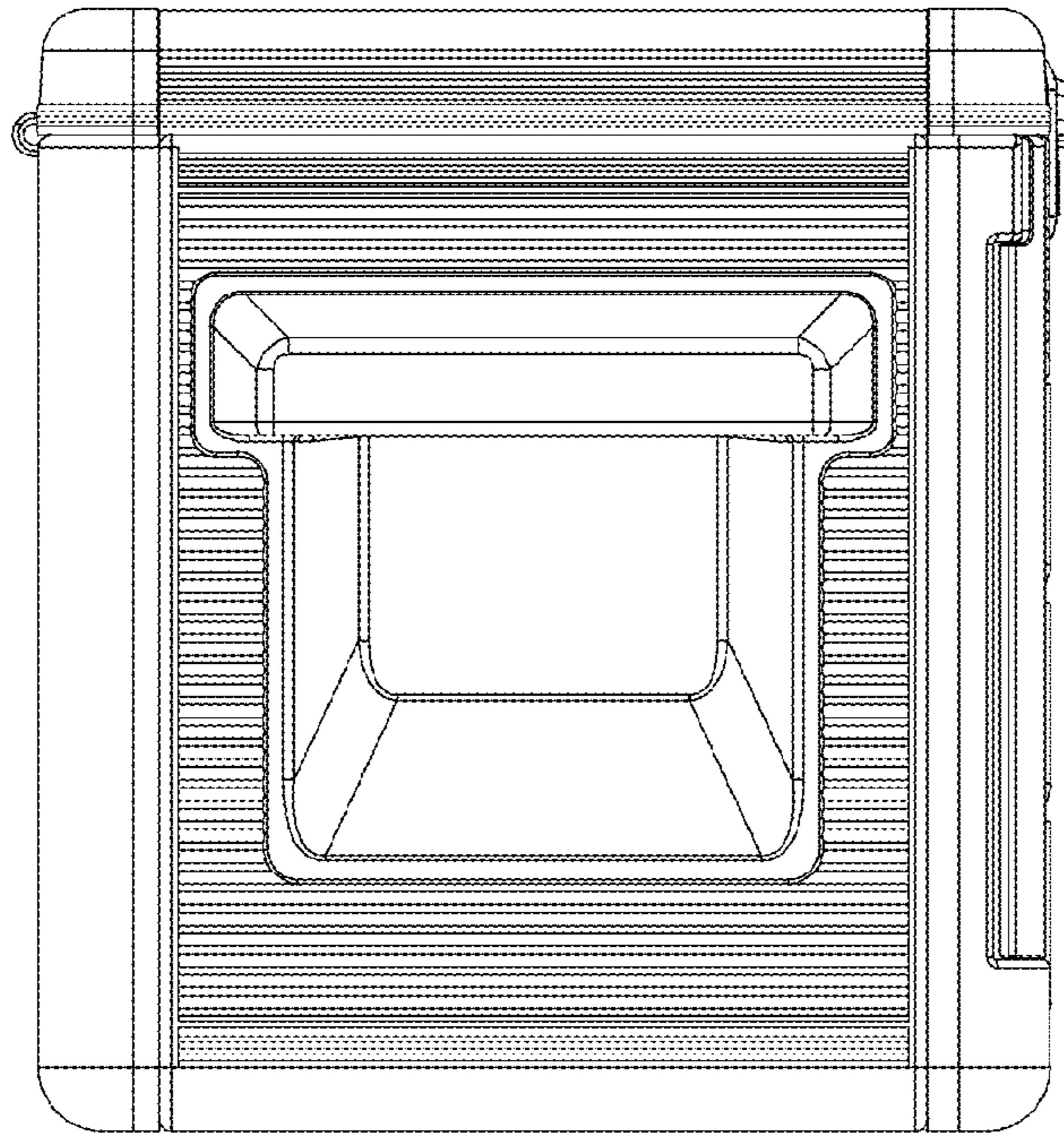


FIG. 4

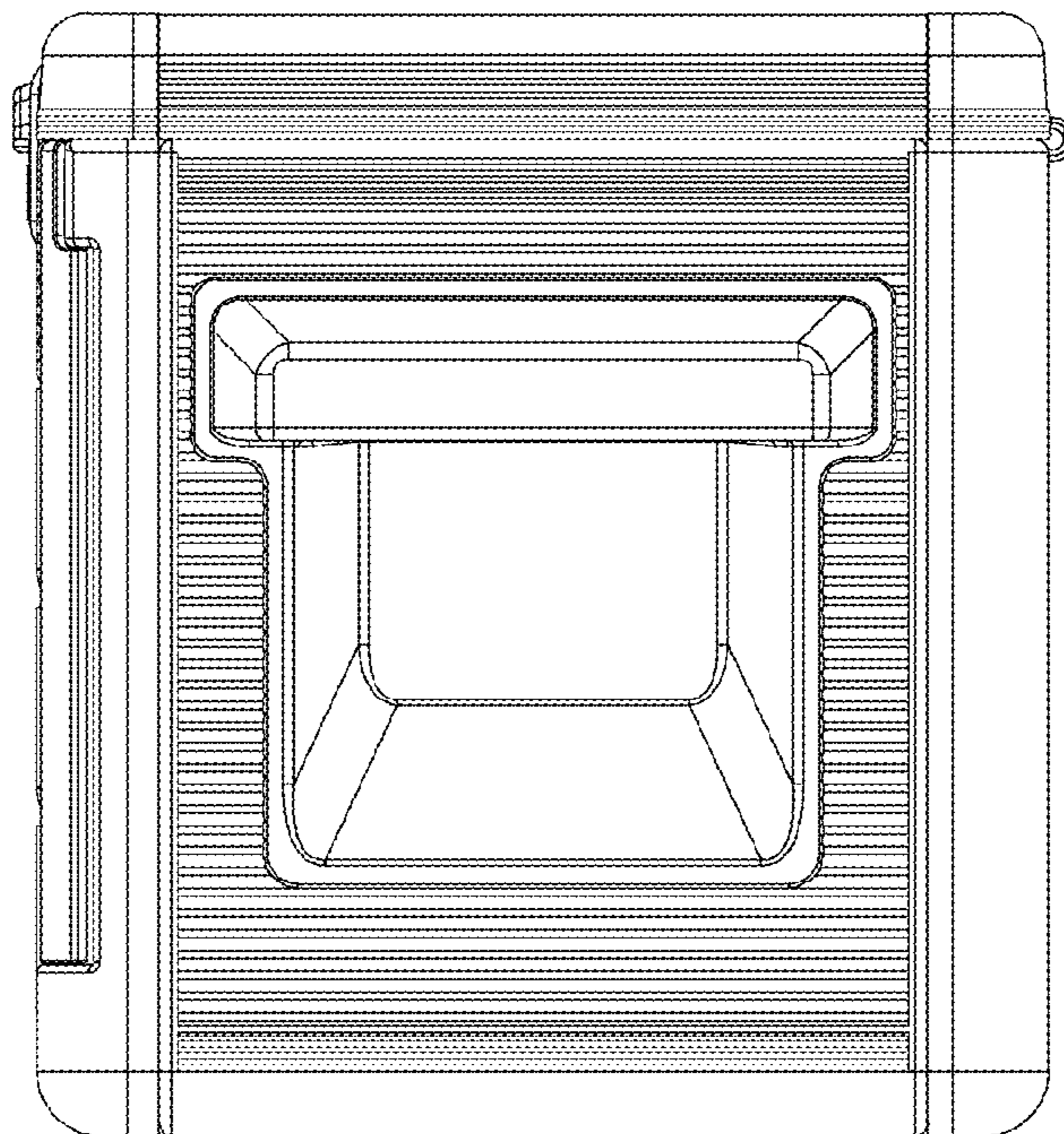


FIG. 5

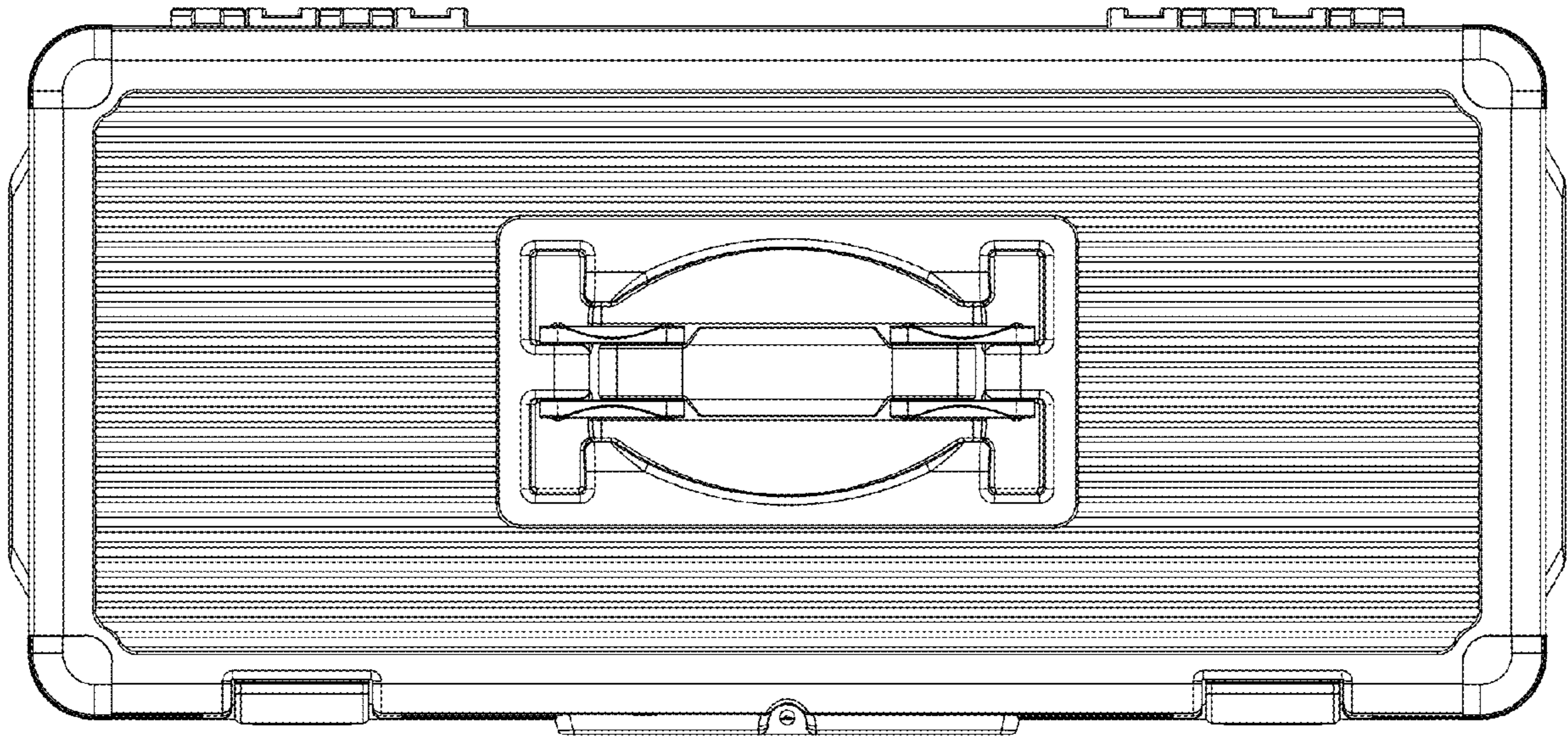


FIG. 6

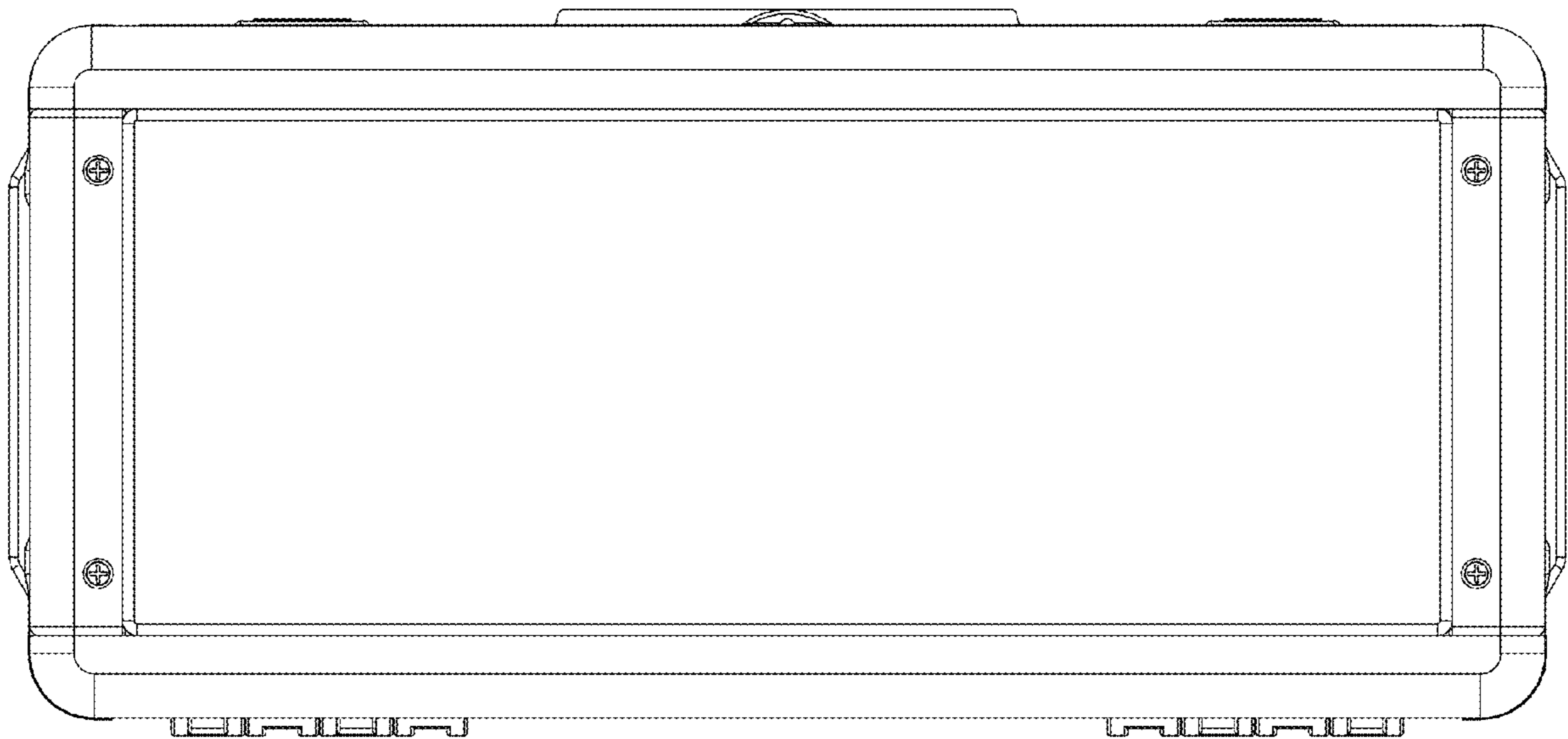


FIG. 7