



US00D960572S

(12) **United States Design Patent**
Chang

(10) **Patent No.:** **US D960,572 S**

(45) **Date of Patent:** **** Aug. 16, 2022**

(54) **TOOLBOX**

FOREIGN PATENT DOCUMENTS

(71) Applicant: **Ju-Chin Chang**, Taichung (TW)

CN 302344648 * 3/2013

(72) Inventor: **Ju-Chin Chang**, Taichung (TW)

CN 303163761 * 4/2015

(**) Term: **15 Years**

CN 303499391 * 12/2015

CN 303918672 * 11/2016

(21) Appl. No.: **29/728,956**

CN 304648392 * 5/2018

CN 305127723 * 4/2019

(22) Filed: **Mar. 23, 2020**

CN 305636614 * 3/2020

GB 4007394 * 7/2008

(51) **LOC (13) Cl.** **03-01**

(52) **U.S. Cl.**

USPC **D3/276**

(58) **Field of Classification Search**

USPC D3/272, 273, 274, 275, 276, 279, 281,
D3/282, 283, 284, 285, 289, 294, 301,
D3/318, 319, 321, 900, 901, 902, 903,
D3/904, 905, 328; D8/323, 324, 325,
D8/326, 327, 328, 329, 383

CPC A45C 5/00; A45C 5/14; A45C 5/03; A45C
13/03; A44B 11/20

See application file for complete search history.

OTHER PUBLICATIONS

Amazon.ca, Site visited Dec. 29, 2021, Apollo Precision Tools Tool Set, First available Jan. 11, 2012, <https://www.amazon.ca/Apollo-Precision-Tools-DT9706P-39-Piece/dp/B001GXPZEQ> (Year: 2012).*

(Continued)

Primary Examiner — Brett Miller

Assistant Examiner — Jessica M Gebhart

(74) *Attorney, Agent, or Firm* — Ian B. Oglesby

(56) **References Cited**

U.S. PATENT DOCUMENTS

D412,397 S *	8/1999	Liu	D3/282
D569,616 S *	5/2008	Lin	D3/273
D572,479 S *	7/2008	Buck	D3/282
D600,015 S *	9/2009	Wenchel	D3/294
D601,797 S *	10/2009	Wenchel	D3/294
D719,352 S *	12/2014	Shitrit	D3/282
D858,994 S *	9/2019	Chang	D3/318
D877,510 S *	3/2020	Christen	D3/294
D924,563 S *	7/2021	Tilly	D3/282
2004/0112777 A1 *	6/2004	Huang	G09F 23/00 206/349
2015/0165617 A1 *	6/2015	Chern	B25H 3/02 206/374
2017/0190044 A1 *	7/2017	Lin	B62B 3/002

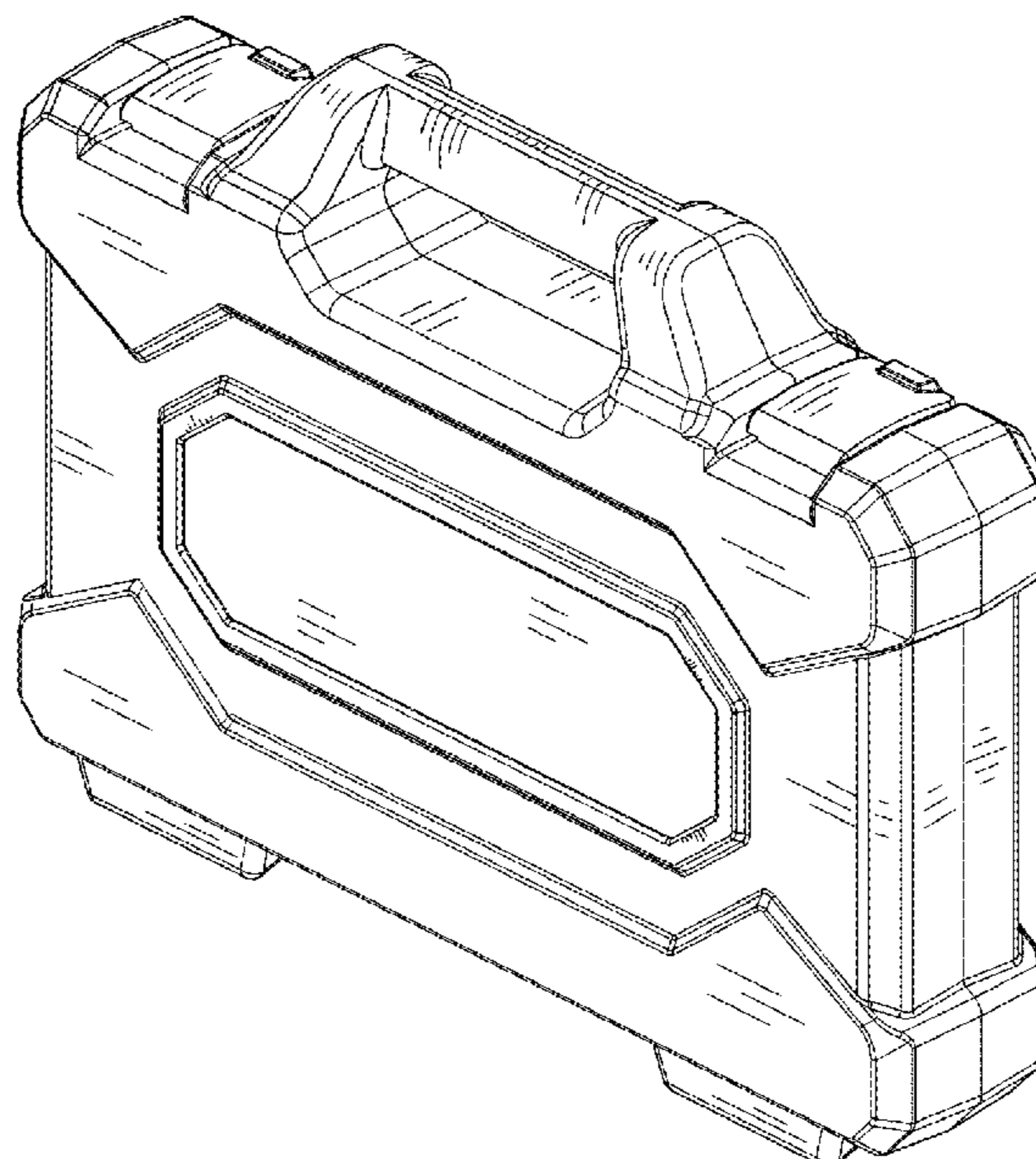
(57) **CLAIM**

The ornamental design for a toolbox, as shown and described.

DESCRIPTION

FIG. 1 is a front-right-top perspective view of a toolbox showing my new design; FIG. 2 is a front elevation view thereof; FIG. 3 is a rear elevation view thereof; FIG. 4 is a left side view thereof; FIG. 5 is a right side view thereof; FIG. 6 is a top plan view thereof; and, FIG. 7 is a bottom plan view thereof. The broken lines depict portions of the toolbox that form no part of the claimed design.

1 Claim, 7 Drawing Sheets



(56)

References Cited

OTHER PUBLICATIONS

Amazon.ca, Site visited Dec. 29, 2021, Plano Protector Series Pistol Case, First available Apr. 19, 2012, <https://www.amazon.ca/Soft-Air-140300-Protector-Single/dp/B000P3WPHI> (Year: 2012).*

Amazon.ca, Site visited Dec. 29, 2021, Dewalt Single Tool Plastic Case with Integrated Handle, First available Oct. 24, 2016, <https://www.amazon.ca/DEWALT-Single-Plastic-Integrated-Handle/dp/B00KMMQ4BK> (Year: 2016).*

Amazon.ca, Site visited Dec. 29, 2021, Solude Tool Set, First available Feb. 7, 2019, <https://www.amazon.ca/SOLUDE-General-Household-Plastic-Toolbox/dp/B07LGTNYD6> (Year: 2019).*

Amazon.ca, Site visited Dec. 29, 2021, Flambeau Outdoor 50DWS Safeshot Pistol Case, First available Apr. 9, 2017, <https://www.amazon.ca/Flambeau-Outdoor-35DWS-SafeShot-12-Inch/dp/B06XPN7X9M> (Year: 2017).*

Amazon.ca, Site visited Dec. 29, 2021, Plano 1404 Protector Series Pistol Case, First Available Apr. 28, 2017, <https://www.amazon.ca/Plano-Tactical-Pistol-Case-18/dp/B072HCK2PN> (Year: 2017).*

* cited by examiner

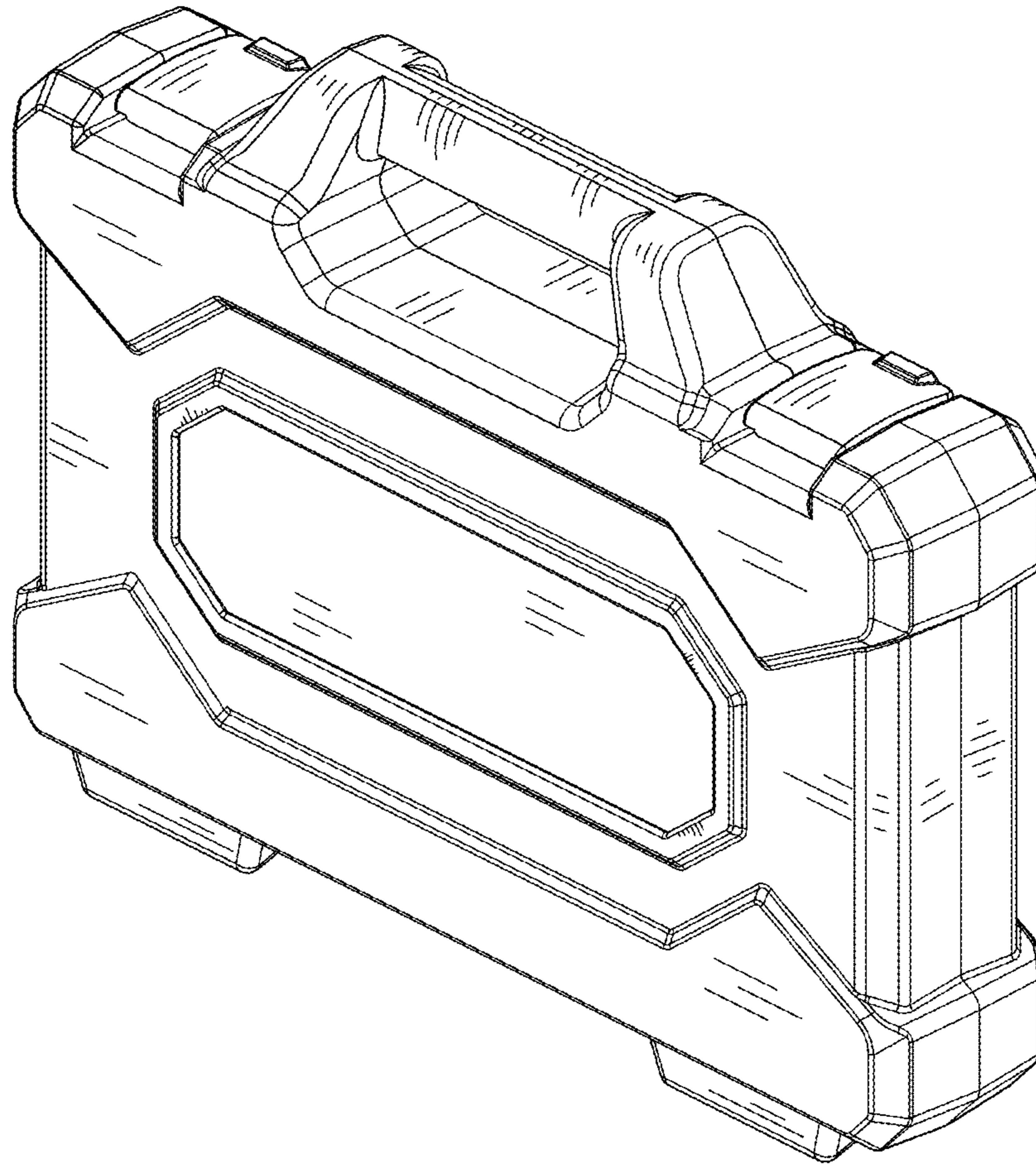


FIG.1

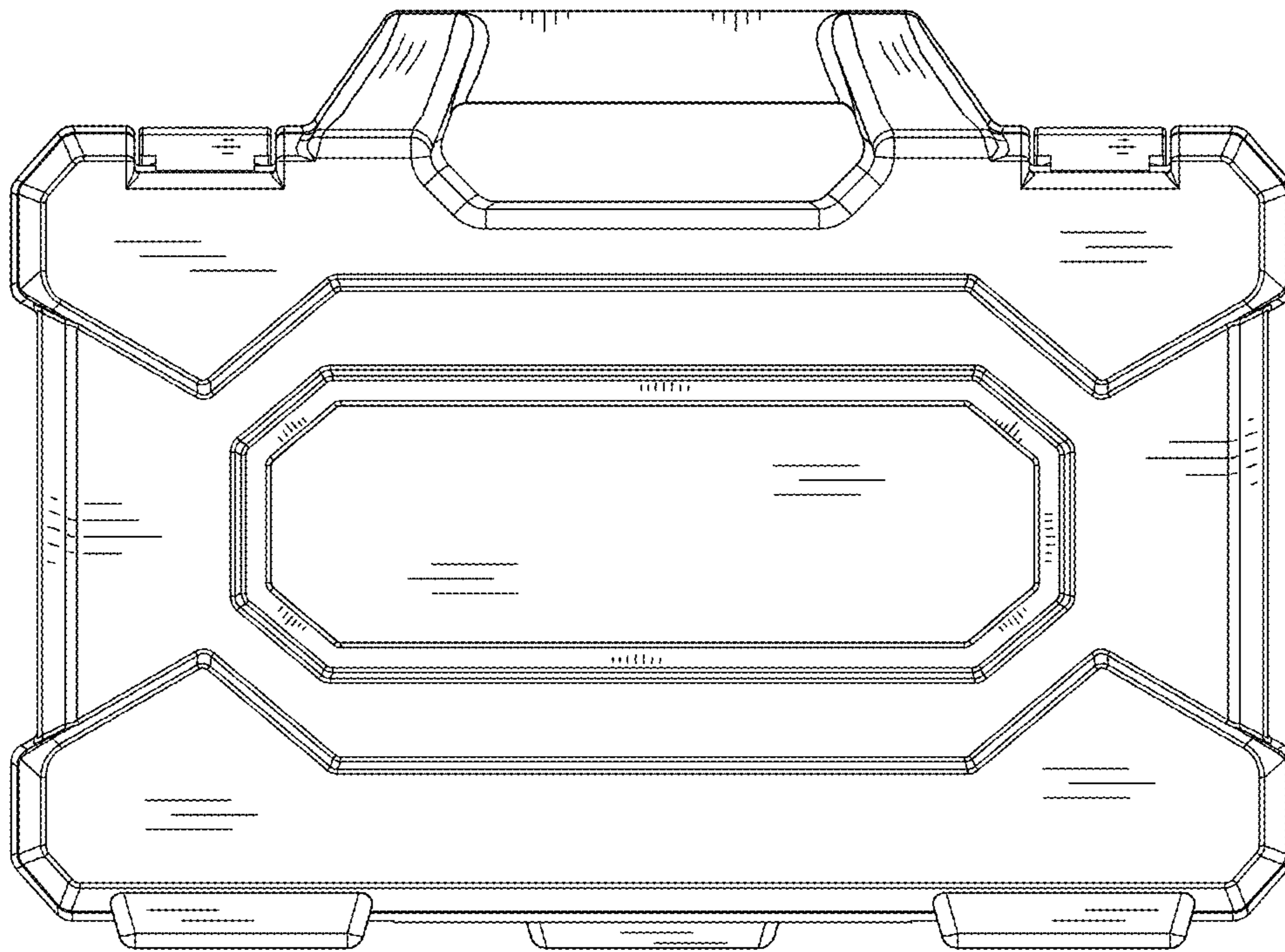


FIG.2

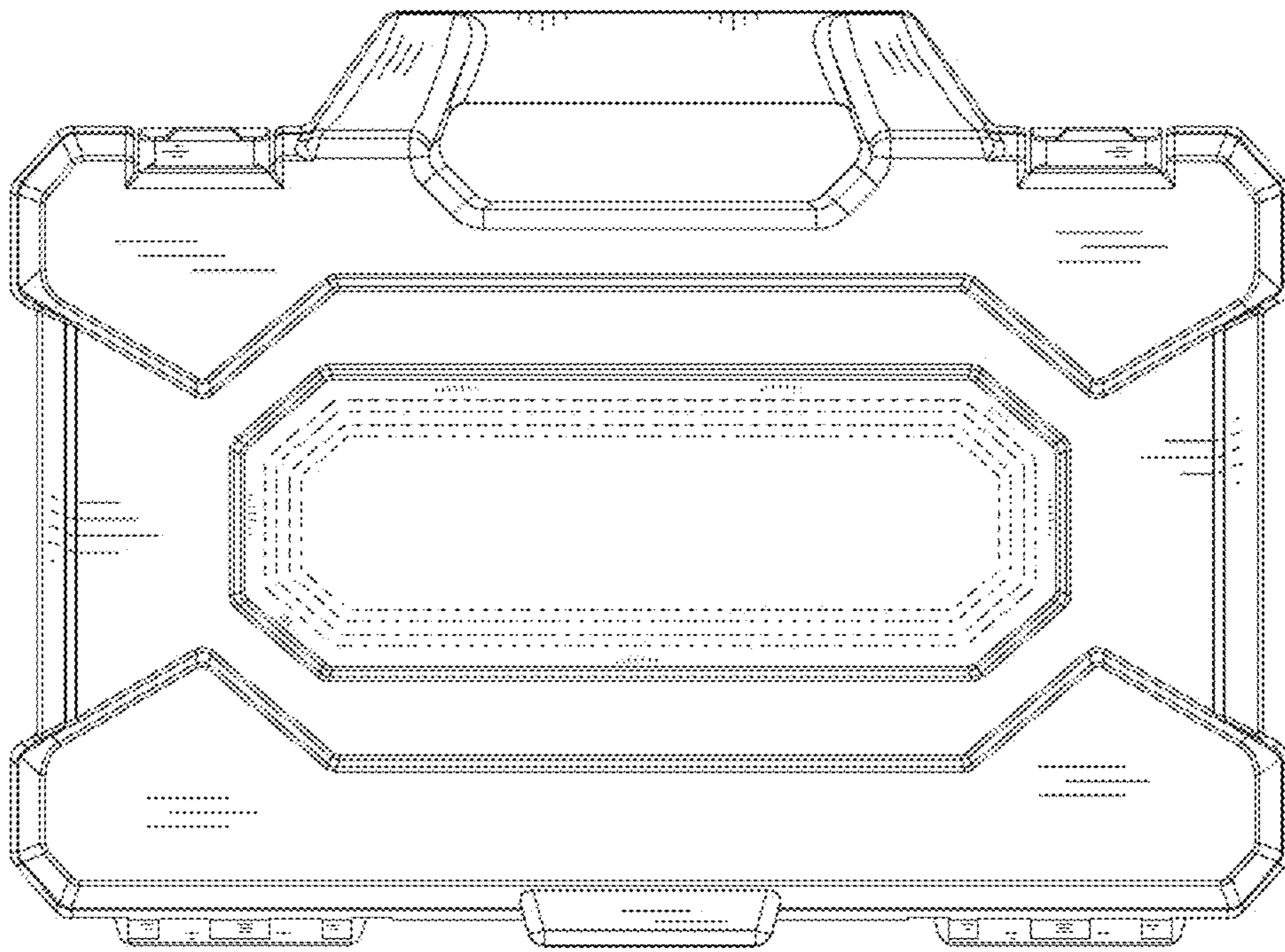


FIG. 3

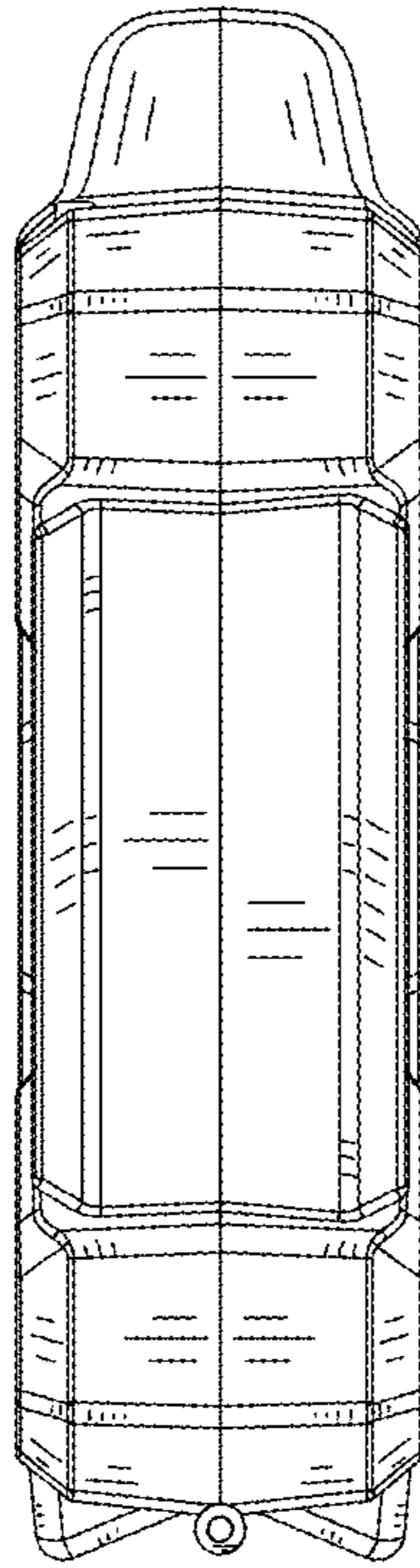


FIG.4

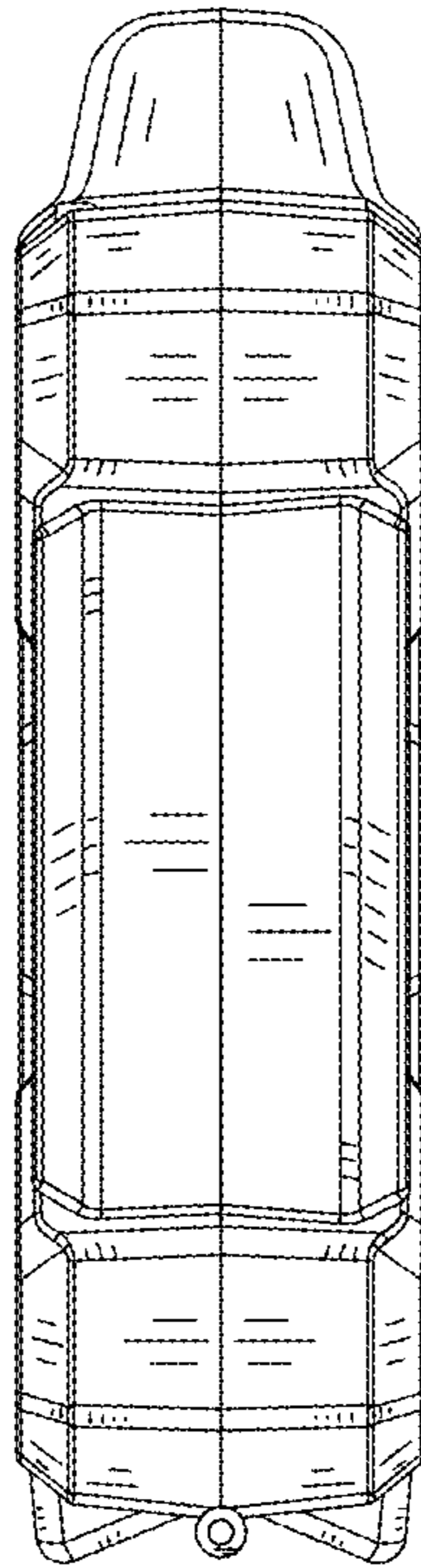


FIG.5

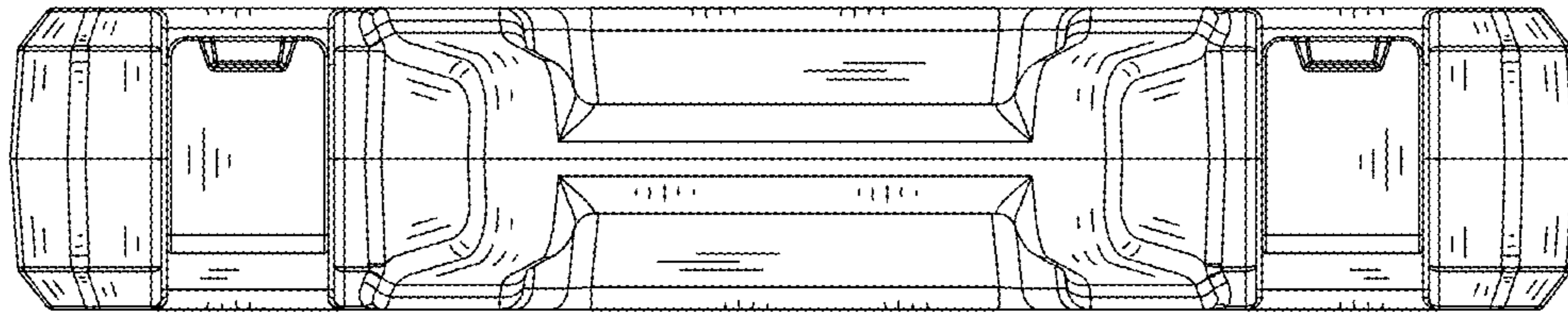


FIG.6

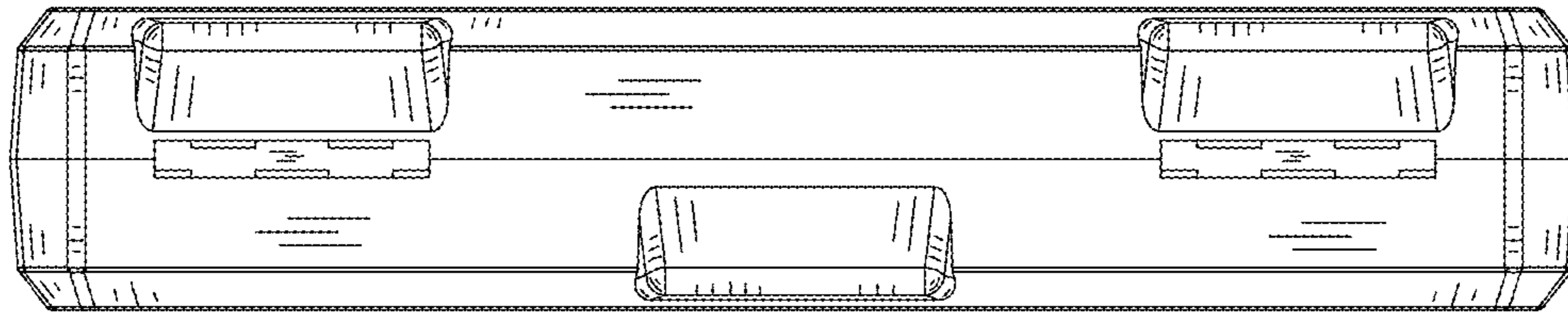


FIG.7