



US00D960571S

(12) **United States Design Patent**
Chen et al.

(10) **Patent No.:** **US D960,571 S**
(45) **Date of Patent:** **** Aug. 16, 2022**

(54) **EARPHONE CASE**

(71) Applicant: **BEIJING XIAOMI MOBILE SOFTWARE CO., LTD.**, Beijing (CN)

(72) Inventors: **Hongyu Chen**, Beijing (CN); **Long Chen**, Beijing (CN)

(73) Assignee: **BEIJING XIAOMI MOBILE SOFTWARE CO., LTD.**, Beijing (CN)

(**) Term: **15 Years**

(21) Appl. No.: **29/735,714**

(22) Filed: **May 22, 2020**

(30) **Foreign Application Priority Data**

Nov. 25, 2019 (CN) 201930651747.7

(51) **LOC (13) Cl.** **03-01**

(52) **U.S. Cl.**
USPC **D3/273; D13/107; D13/108; D14/205; D3/201**

(58) **Field of Classification Search**

USPC D3/272, 273, 274, 201, 205, 206, 218, D3/269, 282, 294; D6/315; D7/391, D7/601, 641; D13/107, 108; D14/201, D14/223; D9/420, 423, 426, 428, 430, D9/431, 432, 436, 499, 558, 717, 721
CPC H04R 1/1025; H02J 7/0044; Y02E 60/12; Y01R 13/6675; B65D 73/02
See application file for complete search history.

(56) **References Cited**

U.S. PATENT DOCUMENTS

D272,300 S * 1/1984 Dziurman, Jr. 5/644
D399,540 S * 10/1998 Wolfenstein D21/392
D499,552 S * 12/2004 Nissanoff D3/273
D548,973 S * 8/2007 Dawson D3/272

D558,451 S * 1/2008 Roesler D3/282
D703,060 S * 4/2014 Okulla D9/529
D772,840 S * 11/2016 Forslund D14/205

(Continued)

FOREIGN PATENT DOCUMENTS

CN 304945636 * 12/2018
CN 305321083 * 8/2019

(Continued)

OTHER PUBLICATIONS

Amazon.com, Site visited Nov. 18, 2021, JALM Ear Buds Wireless Bluetooth Headphone, First available May 18, 2018, <https://www.amazon.com/Cord-Bluetooth-Fitness-Headphones-Built/dp/B07CWJ88LH> (Year: 2018).*

(Continued)

Primary Examiner — Brett Miller

Assistant Examiner — Jessica M Gebhart

(74) *Attorney, Agent, or Firm* — Syncoda LLC; Feng Ma

(57) **CLAIM**

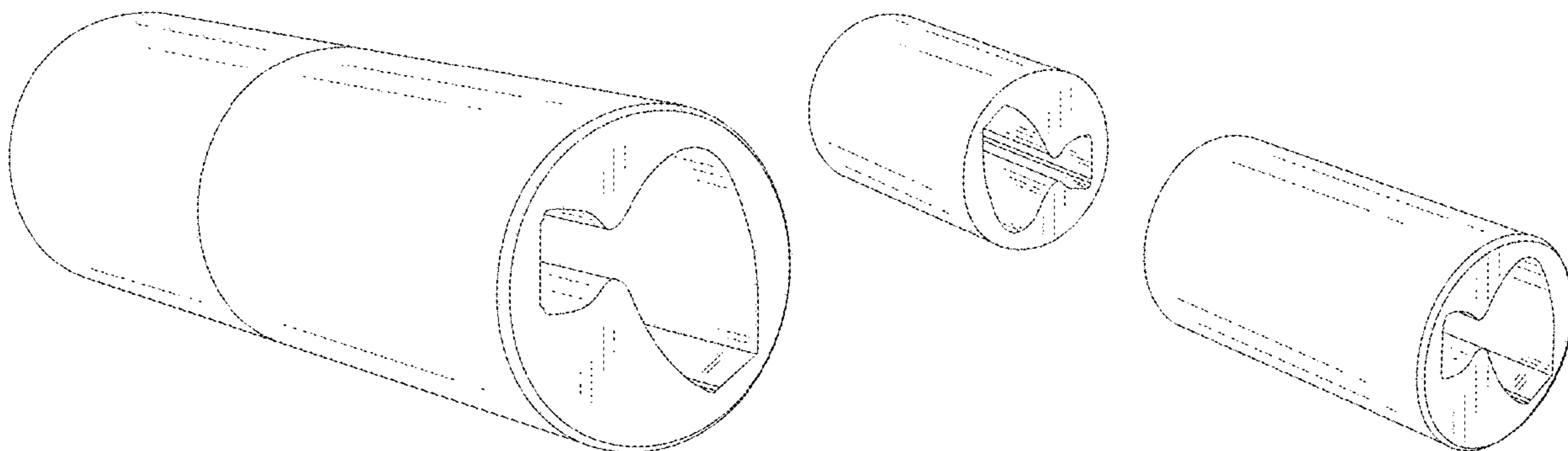
The ornamental design for an earphone case, as shown and described.

DESCRIPTION

FIG. 1 is a front view of an earphone case showing the new design;
FIG. 2 is a back view thereof;
FIG. 3 is a left-side view thereof;
FIG. 4 is a right-side view thereof;
FIG. 5 is a top view thereof;
FIG. 6 is a bottom view thereof;
FIG. 7 is a front, right-side perspective view thereof;
FIG. 8 is a perspective view of changing state thereof; and,
FIG. 9 is a perspective view of using state thereof.

The broken lines shown in the drawings depict environmental subject matter and form no part of the claimed design.

1 Claim, 9 Drawing Sheets



(56)

References Cited

U.S. PATENT DOCUMENTS

D780,115 S * 2/2017 Huang D13/107
 D798,594 S * 10/2017 Boler D3/273
 D816,322 S * 5/2018 Choe D3/201
 D826,057 S * 8/2018 Joao do Silva Antunes da
 Guia D9/529
 D853,193 S * 7/2019 Hartnett D7/505
 D866,559 S * 11/2019 Shim D14/435
 D867,999 S * 11/2019 Li D13/144
 D870,659 S * 12/2019 Liao D13/108
 D885,362 S * 5/2020 Huang D14/205
 D885,894 S * 6/2020 Santiago D9/444
 D902,053 S * 11/2020 Morgan D9/715

FOREIGN PATENT DOCUMENTS

CN 305374641 * 10/2019
 CN 305380940 * 10/2019
 CN 305407567 * 10/2019

OTHER PUBLICATIONS

Amazon.com, Site visited Nov. 18, 2021, NewSY Wireless Bluetooth Headphones, First Available Jan. 8, 2019, <https://www.amazon.com/Wireless-Bluetooth-Headphones-Cancelling-Sweatproof/dp/B07MC75FWS> (Year: 2019).*

Amazon.com, Site visited Nov. 18, 2021, Phiaton Bolt BT 700 BA Balanced Armature True Wireless Earbuds with Charging Speaker Case, First Available Jun. 3, 2019, <https://www.amazon.com/dp/B07SNGHBV3> (Year: 2019).*

Newatlas.com, Site visited Nov. 18, 2021, "Air Speaker Pulls Apart for Surround Sound or Multi-room Listening" by Paul Ridden published on Nov. 22, 2019, features the Air by Quirky single cylinder speaker, <https://newatlas.com/home-entertainment/air-by-quirky-bluetooth-speaker/> (Year: 2019).*

* cited by examiner

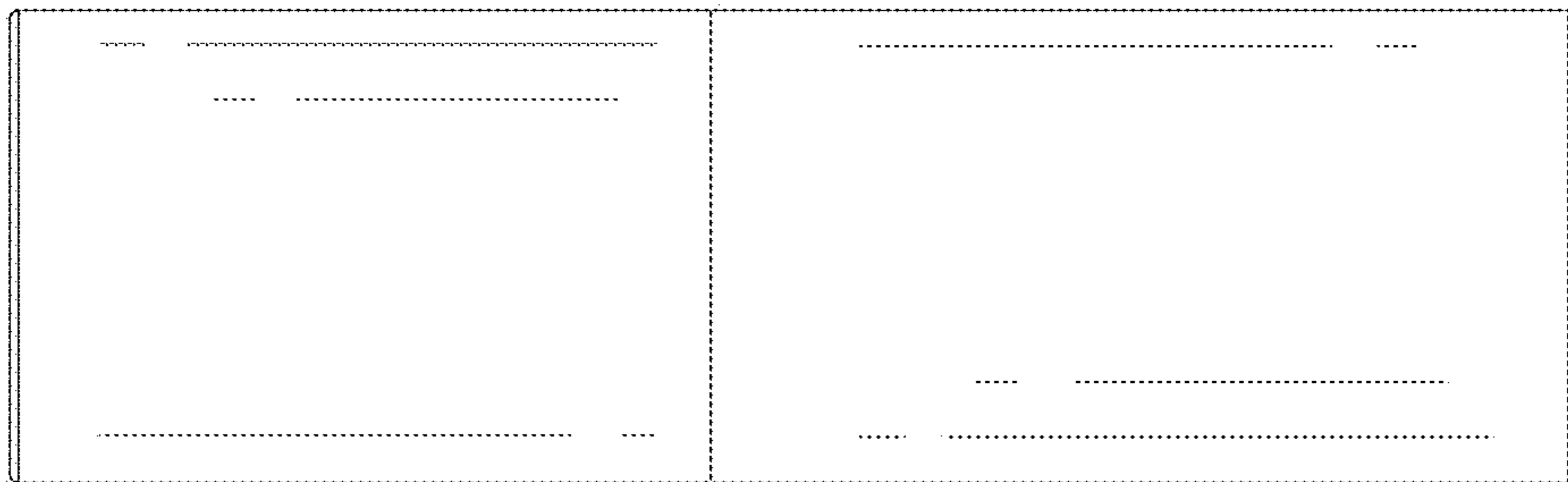


FIG. 1

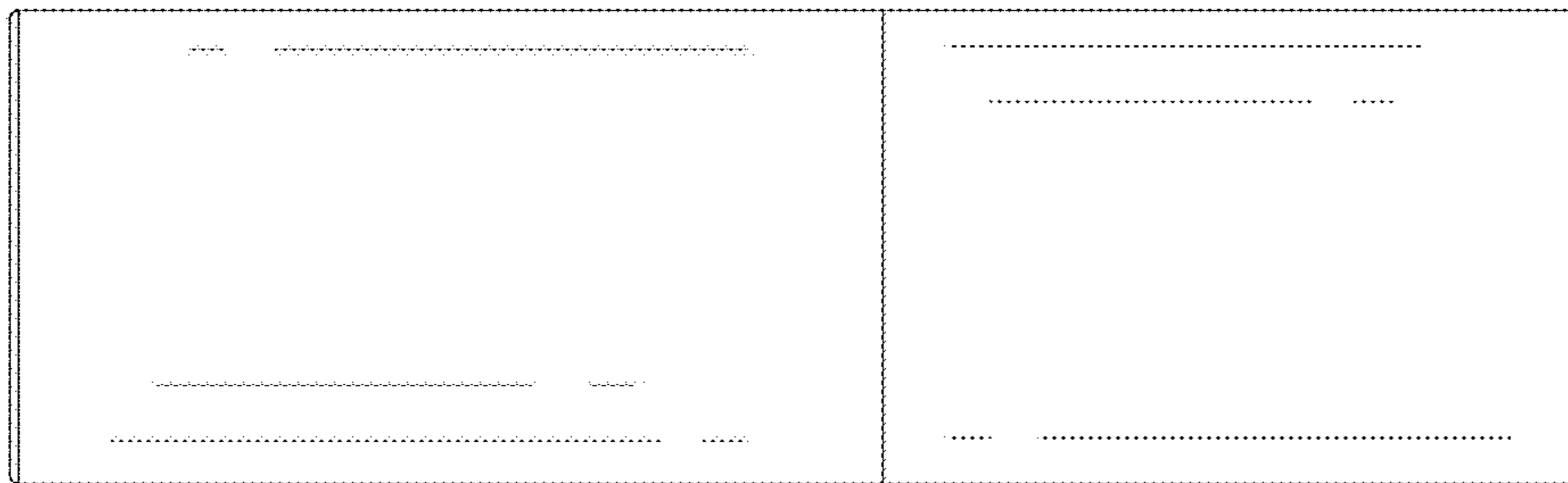


FIG. 2

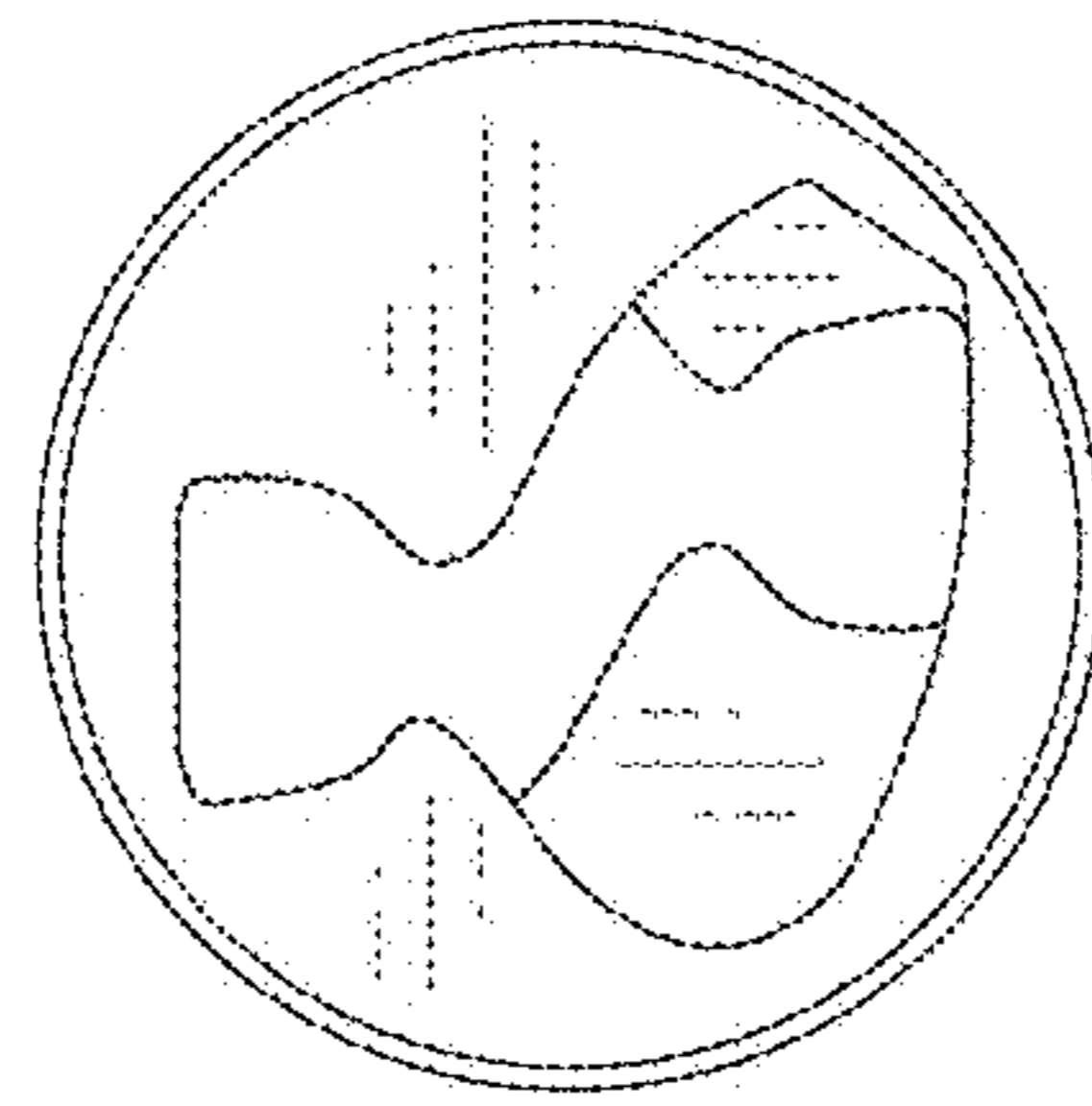


FIG. 3

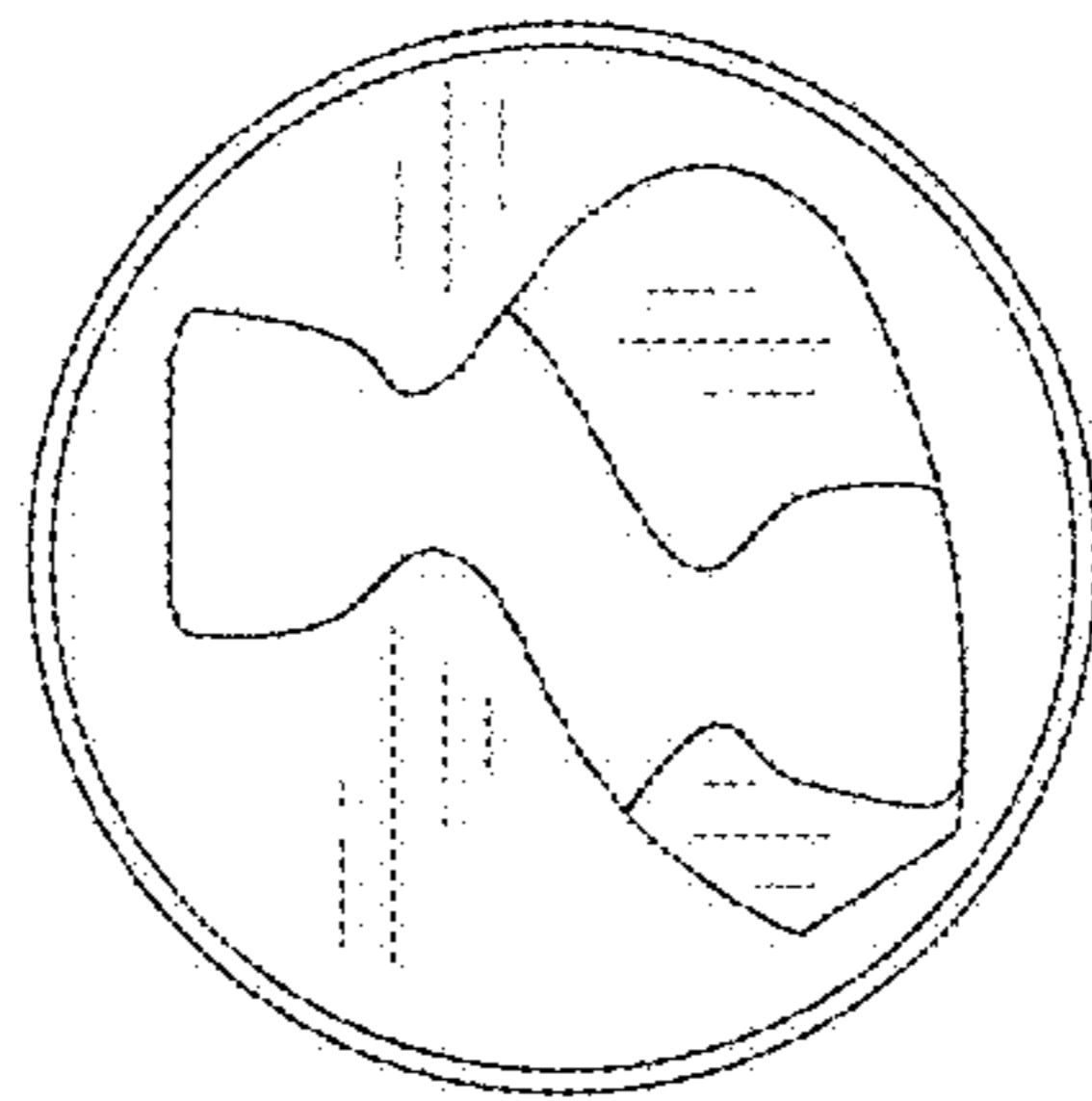


FIG. 4

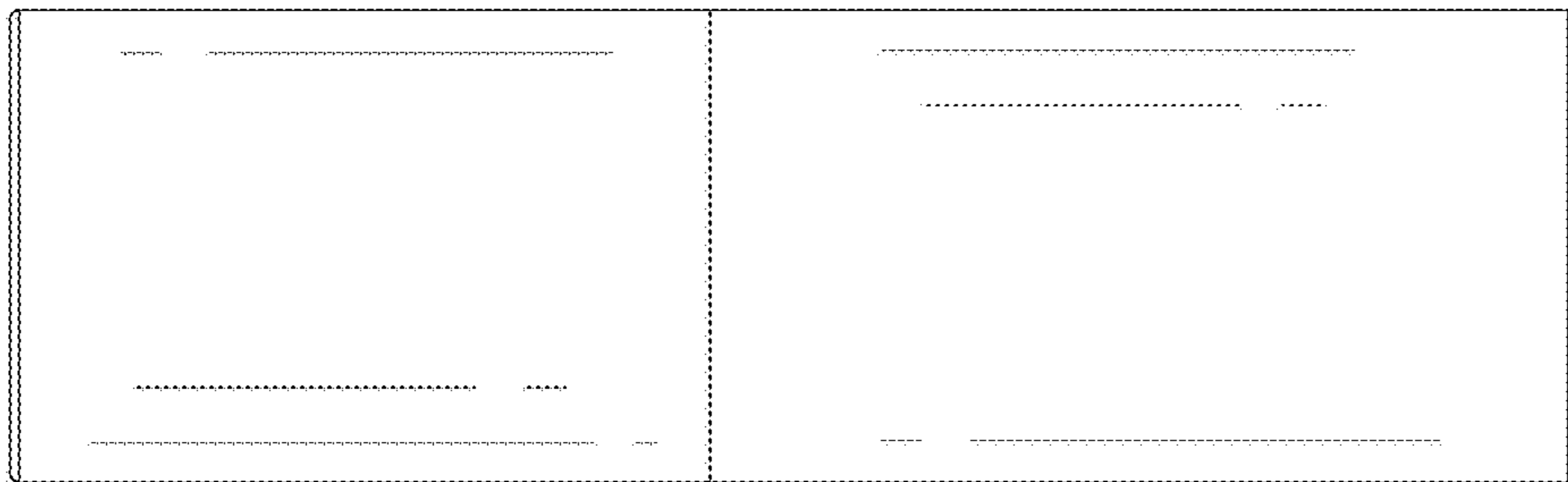


FIG. 5

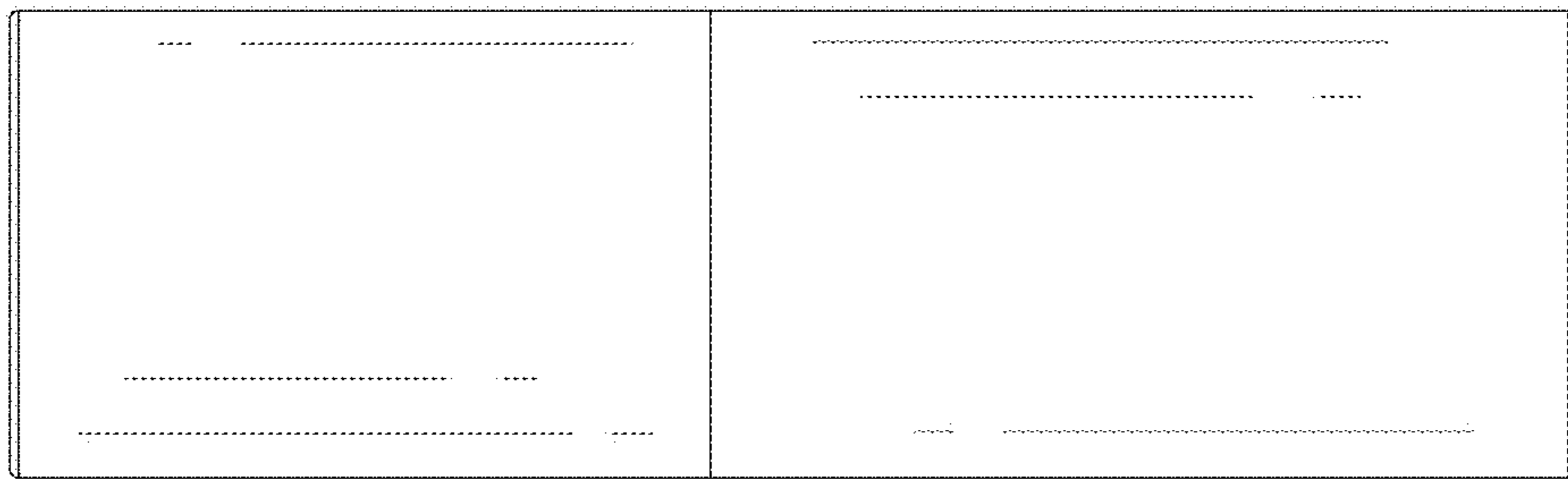


FIG. 6

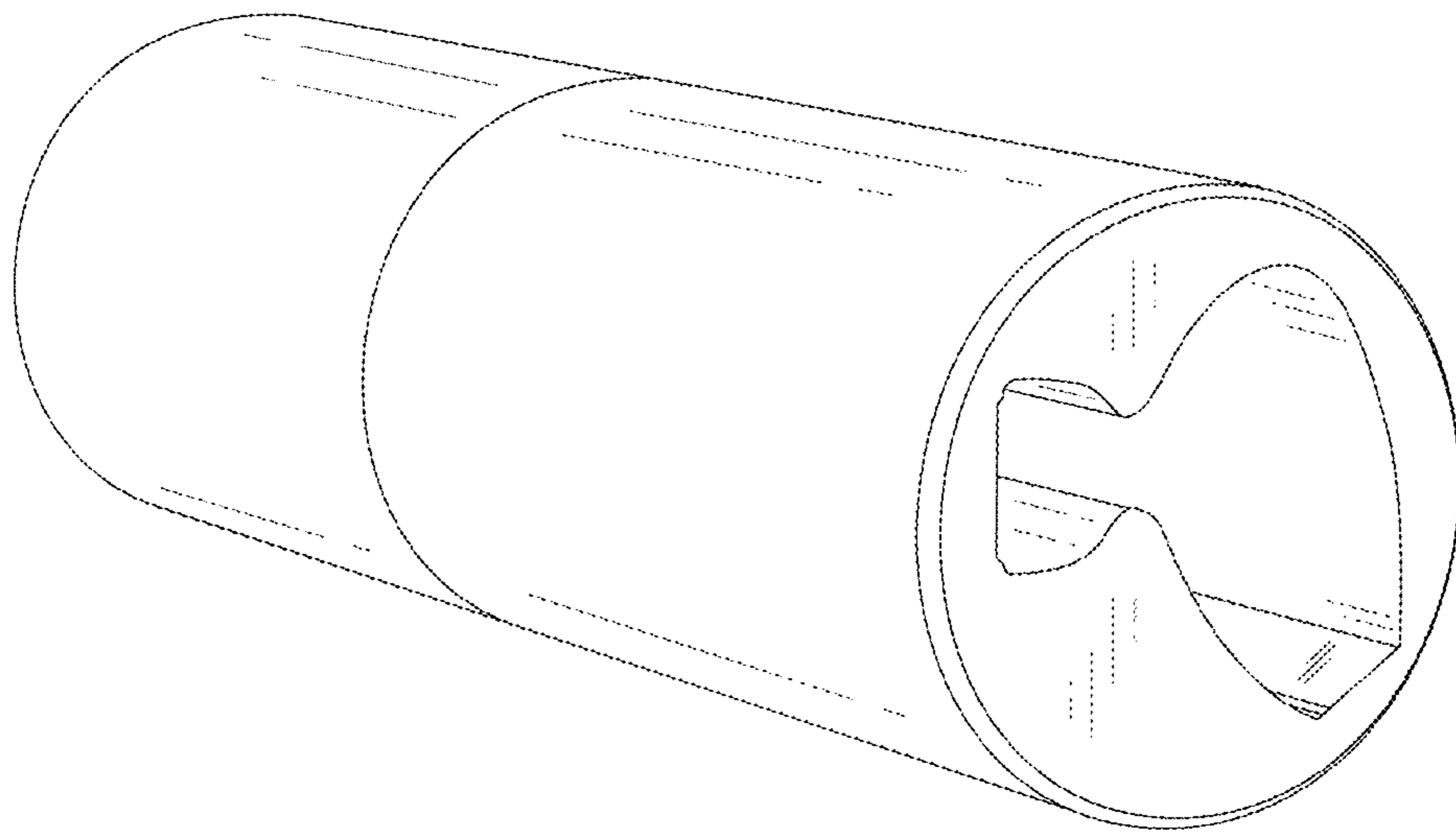


FIG. 7

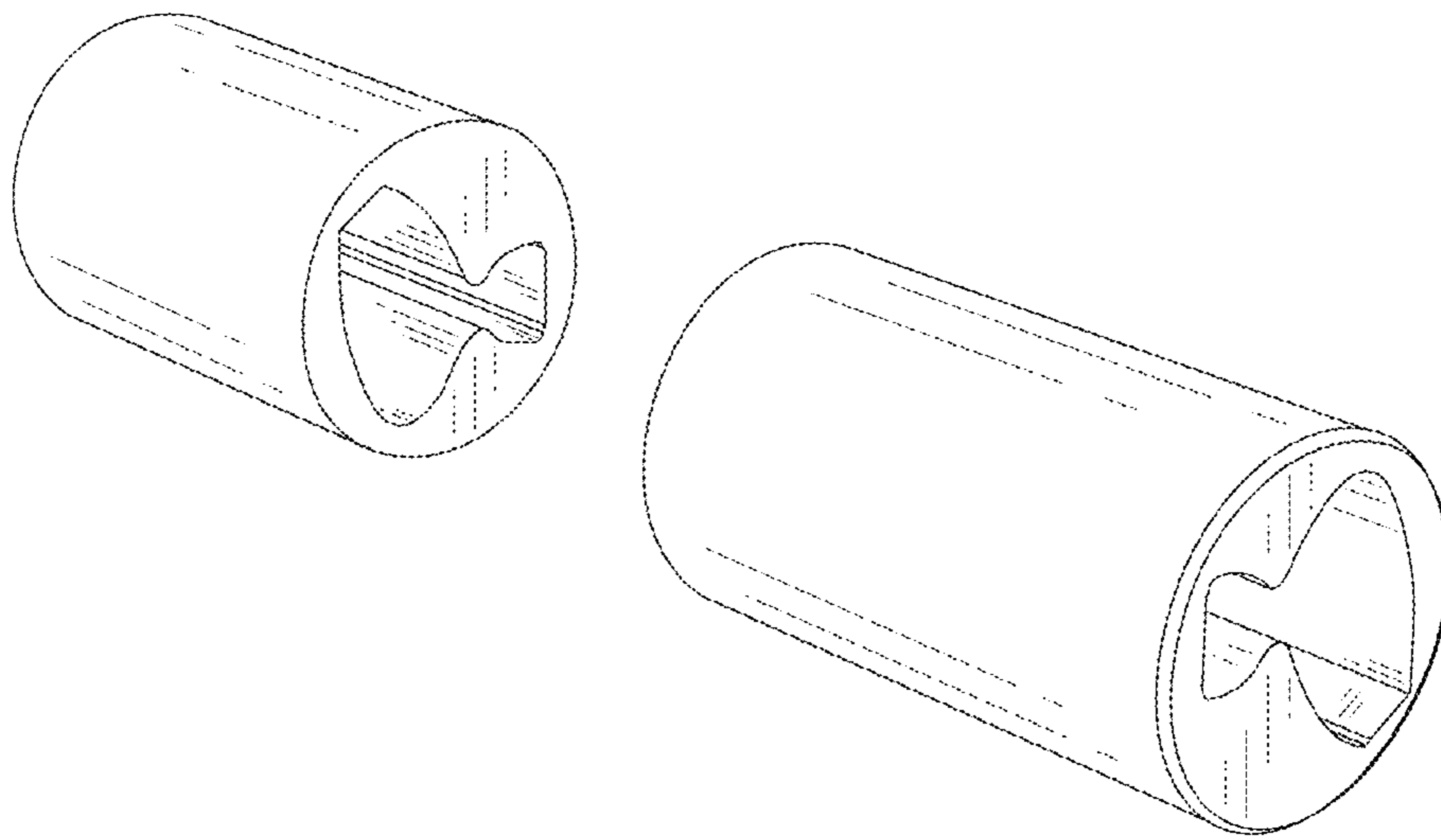


FIG. 8

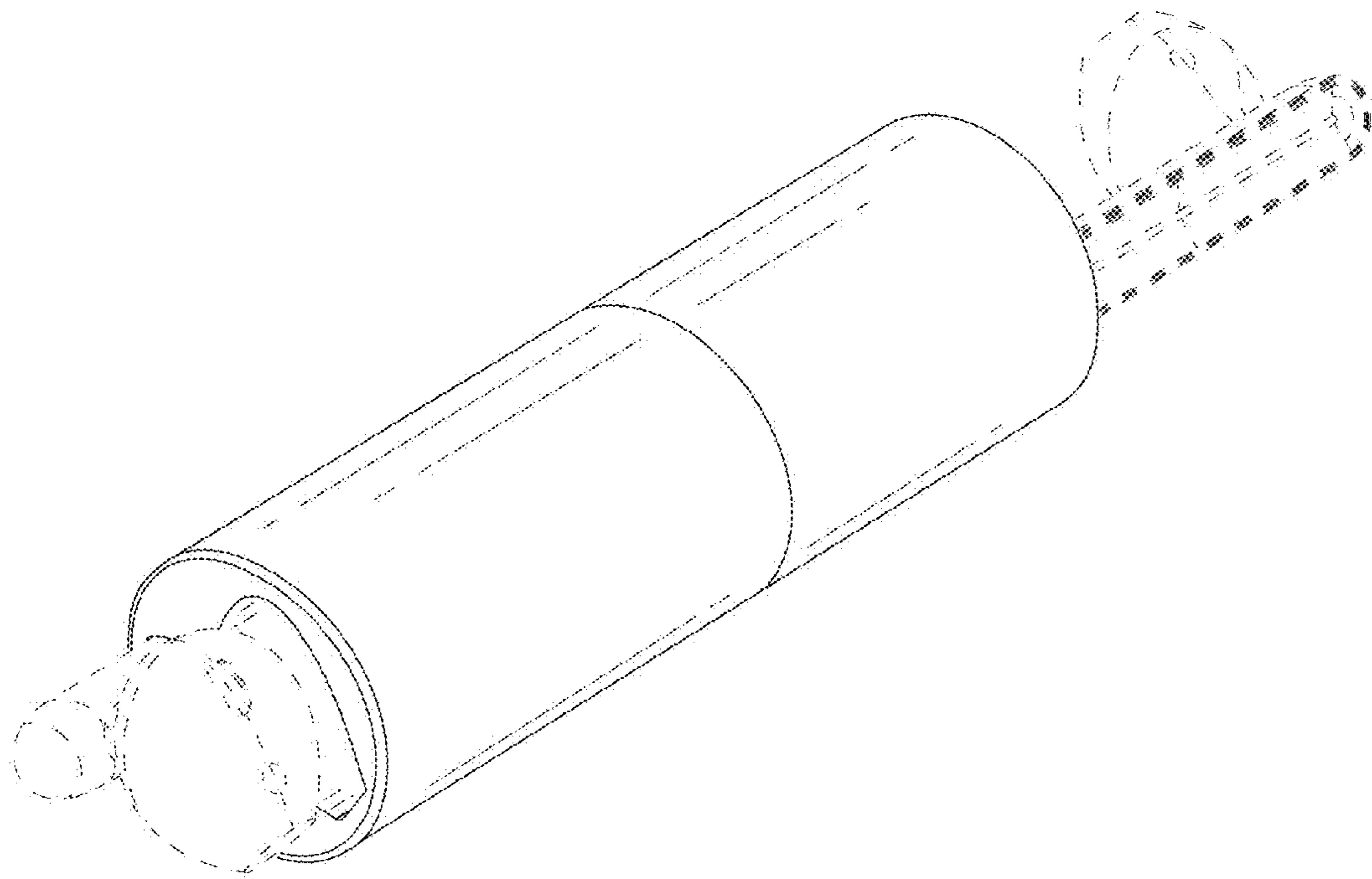


FIG. 9