



US00D960570S

(12) **United States Design Patent**
Snell

(10) **Patent No.:** **US D960,570 S**

(45) **Date of Patent:** **** Aug. 16, 2022**

- (54) **CONTAINER WITH LID**
- (71) Applicant: **InterDesign, Inc.**, Solon, OH (US)
- (72) Inventor: **Russell Benton Snell**, Bentleyville, OH (US)
- (73) Assignee: **InterDesign, Inc.**, Solon, OH (US)
- (**) Term: **15 Years**
- (21) Appl. No.: **29/733,305**
- (22) Filed: **Apr. 30, 2020**

- D282,808 S * 3/1986 Daenen D7/602
- D363,662 S * 10/1995 Plater D3/304
- D514,373 S * 2/2006 Vendl D7/360
- D528,376 S * 9/2006 Munson D7/356
- D540,039 S * 4/2007 van Beuningen D3/304
- D595,128 S * 6/2009 Bouveret D7/545
- D600,017 S * 9/2009 Christie D3/304
- D644,886 S * 9/2011 Samartgis D7/602
- D649,839 S * 12/2011 Stamper D7/602
- D654,690 S * 2/2012 Sofy D3/309
- D717,121 S * 11/2014 Carlson D7/602

(Continued)

Related U.S. Application Data

- (60) Division of application No. 29/682,703, filed on Mar. 7, 2019, now Pat. No. Des. 887,746, which is a continuation of application No. 29/602,868, filed on May 4, 2017, now Pat. No. Des. 845,662, which is a continuation of application No. 29/531,198, filed on Jun. 24, 2015, now Pat. No. Des. 790,247.

- (51) **LOC (13) Cl.** **03-01**
- (52) **U.S. Cl.**
USPC **D3/273**

- (58) **Field of Classification Search**
USPC D3/273, 294, 304, 315, 328; D7/538, D7/542, 545, 601-602
CPC ... B65D 1/26; B65D 1/00; B65D 1/22; B65D 1/32; B65D 1/14; B65D 1/34; B65D 3/00; B65D 5/00; B65D 5/0085; B65D 5/009; A47J 47/02; A47J 47/08; A47J 47/10; A47G 19/00

See application file for complete search history.

- (56) **References Cited**

U.S. PATENT DOCUMENTS

- 2,695,645 A * 11/1954 Tupper A47J 47/02 220/797
- D174,506 S * 4/1955 Levenhagen D7/602
- D270,418 S * 9/1983 Conti D7/602

OTHER PUBLICATIONS

Amazon.com, IDesign Plastic BPA-Free Pantry Food Storage Organizer Bin with Air-Tight Hinged Lid, Mar. 22, 2016, <https://www.amazon.com/InterDesign-Storage-Organizer-Kitchen-Air-Tight/dp/B013K53EBI/> (Year: 2016).*

Primary Examiner — Nathan M Johnston
(74) *Attorney, Agent, or Firm* — Calfee, Halter & Griswold LLP

- (57) **CLAIM**

I claim the ornamental design for a container with lid, as shown and described.

DESCRIPTION

FIG. 1 is a front/right/top perspective view of a container with lid (a front/left/top perspective view would be a mirror image thereof);

FIG. 2 is a rear/right/bottom perspective view thereof (a rear/left/bottom perspective view would be a mirror image thereof);

FIG. 3 is a front elevational view thereof;

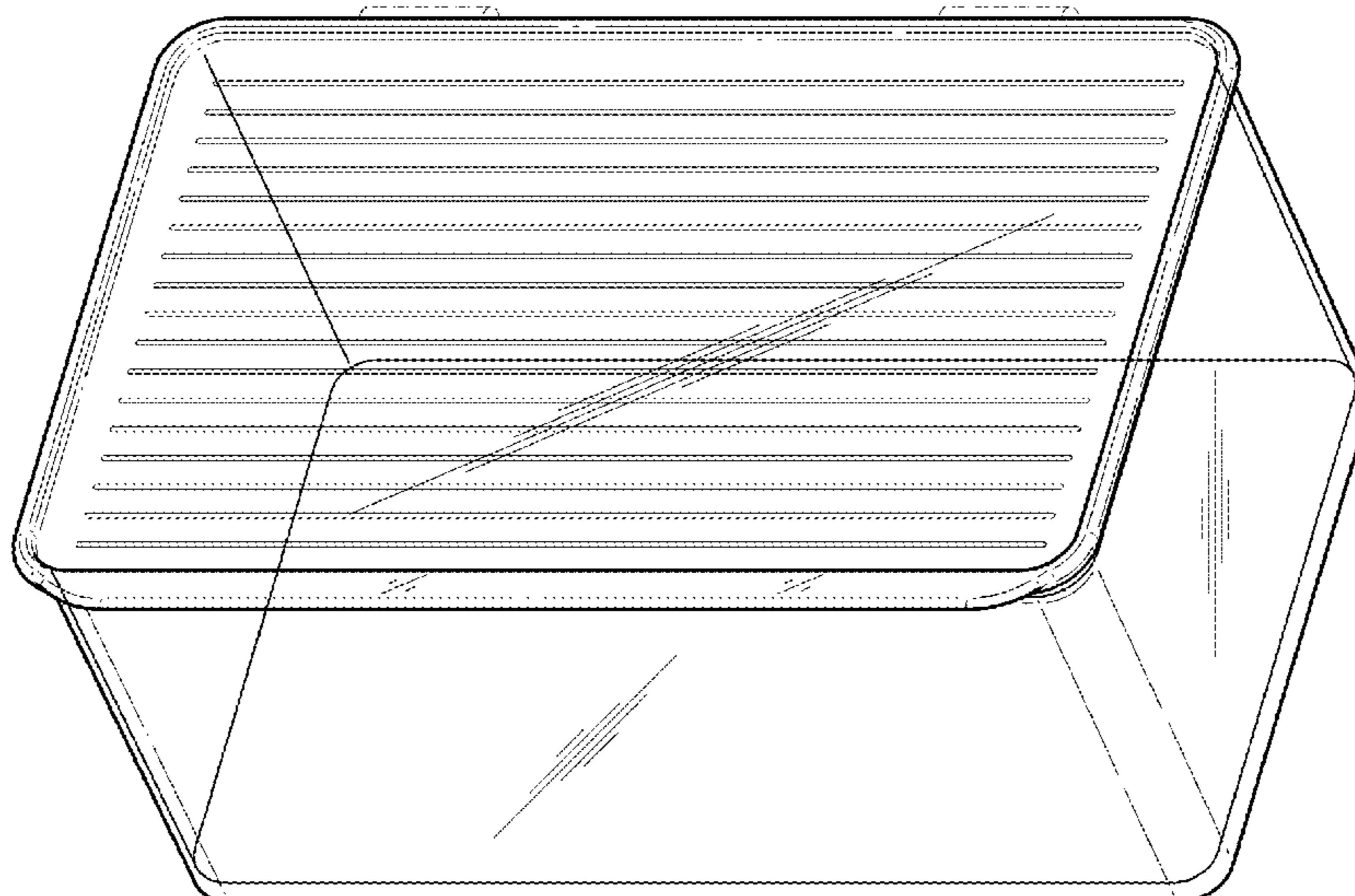
FIG. 4 is a right side elevational view thereof;

FIG. 5 is a top plan view thereof; and,

FIG. 6 is a rear elevational view thereof.

The broken lines show portions of the container with lid that form no part of the claimed design.

1 Claim, 4 Drawing Sheets



(56)

References Cited

U.S. PATENT DOCUMENTS

D759,421	S	*	6/2016	Wiggins	D7/602
D767,950	S	*	10/2016	Kraemer	D7/629
D772,058	S	*	11/2016	Urushidani	D9/432
D787,275	S	*	5/2017	Carlson	D7/602
D862,994	S	*	10/2019	Kraemer	D7/629
D866,973	S	*	11/2019	Snell	D3/314
D908,440	S	*	1/2021	Samartgis	D7/602
D915,150	S	*	4/2021	Zeiser	D7/602
D921,361	S	*	6/2021	Kraemer	D3/273
D934,635	S	*	11/2021	Samartgis	D7/602
2006/0032765	A1	*	2/2006	Morhard	B65D 1/22 206/278
2018/0044062	A1	*	2/2018	Smith	B65D 25/22

* cited by examiner

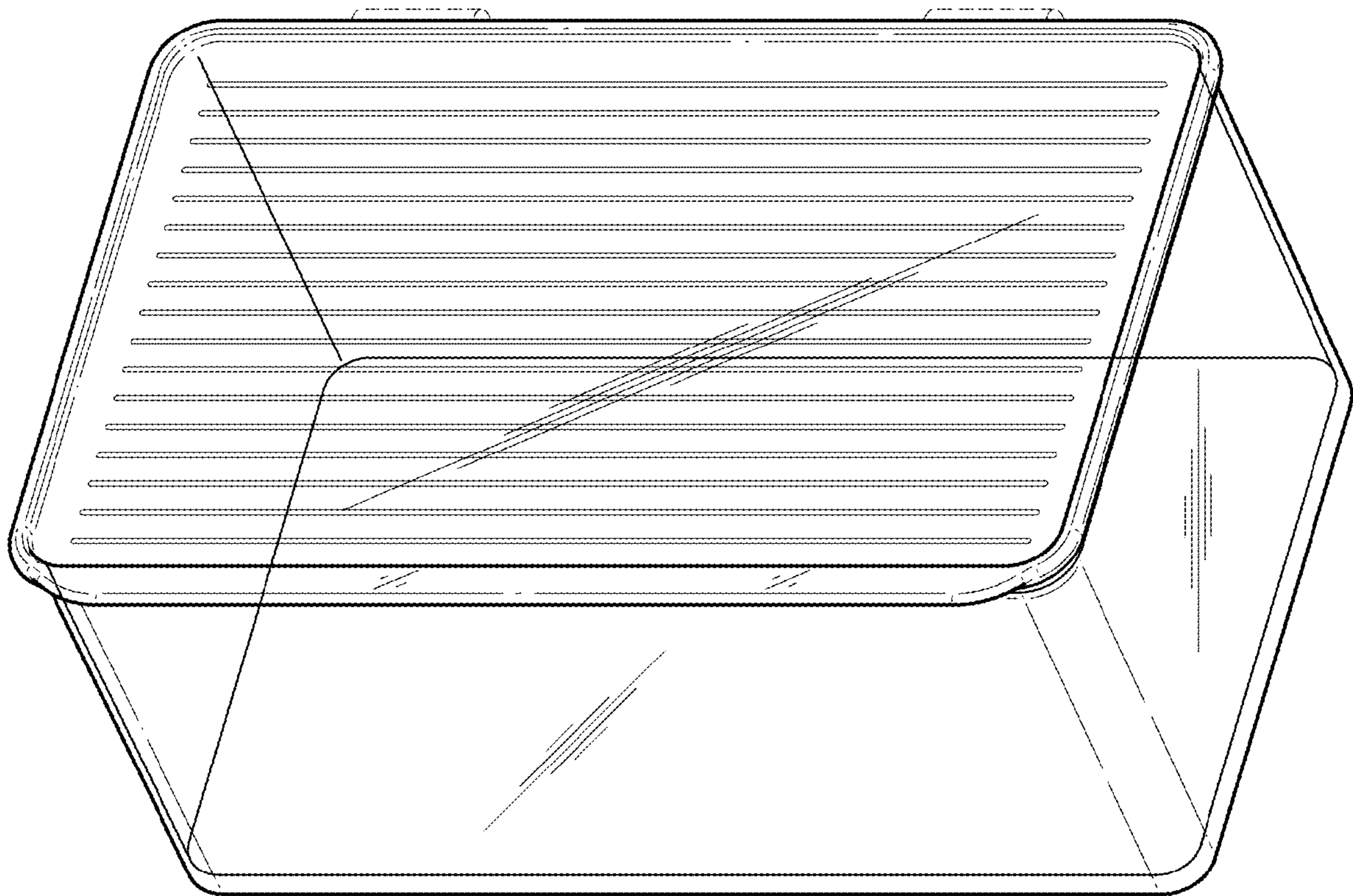


FIG. 1

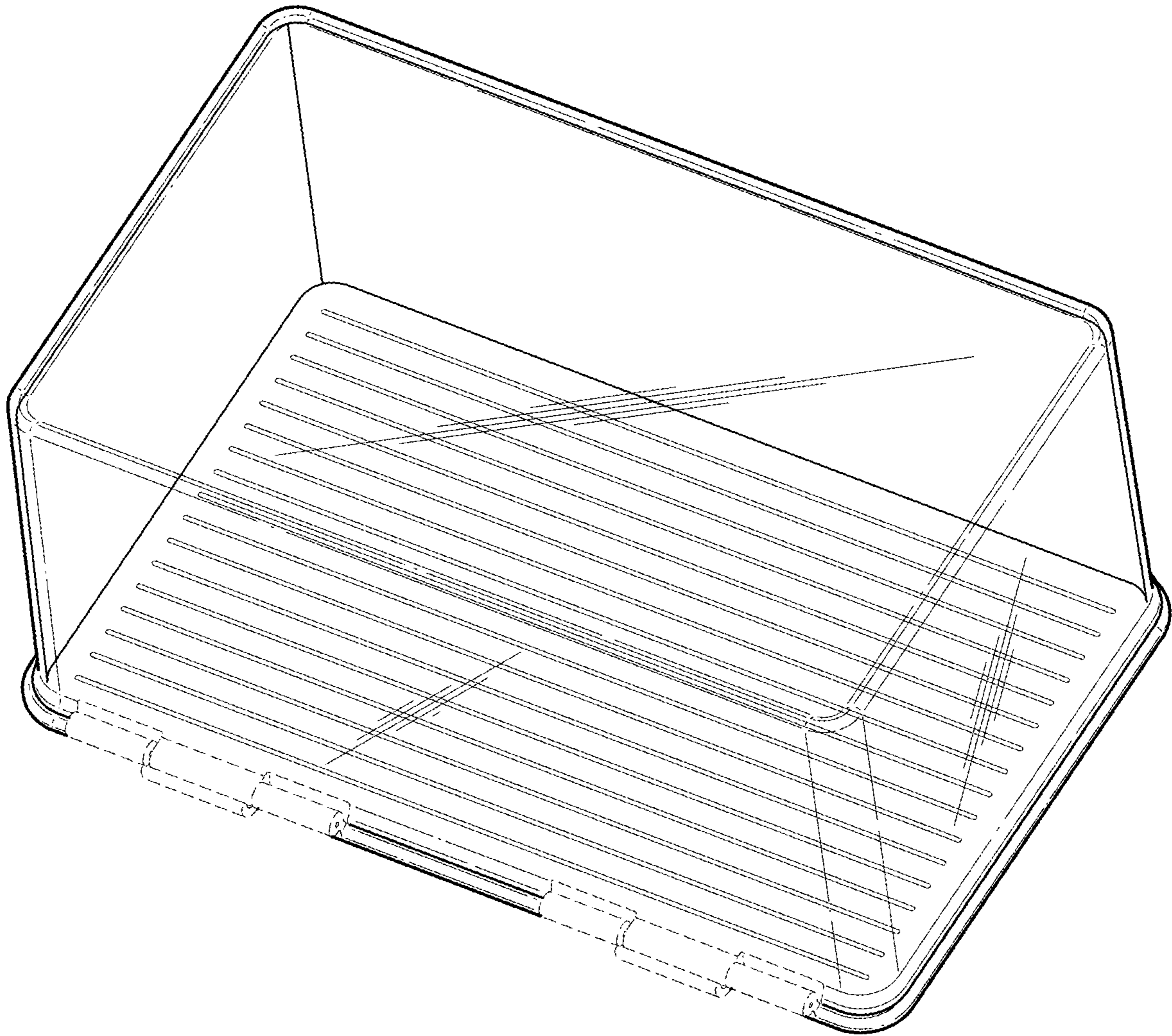


FIG. 2

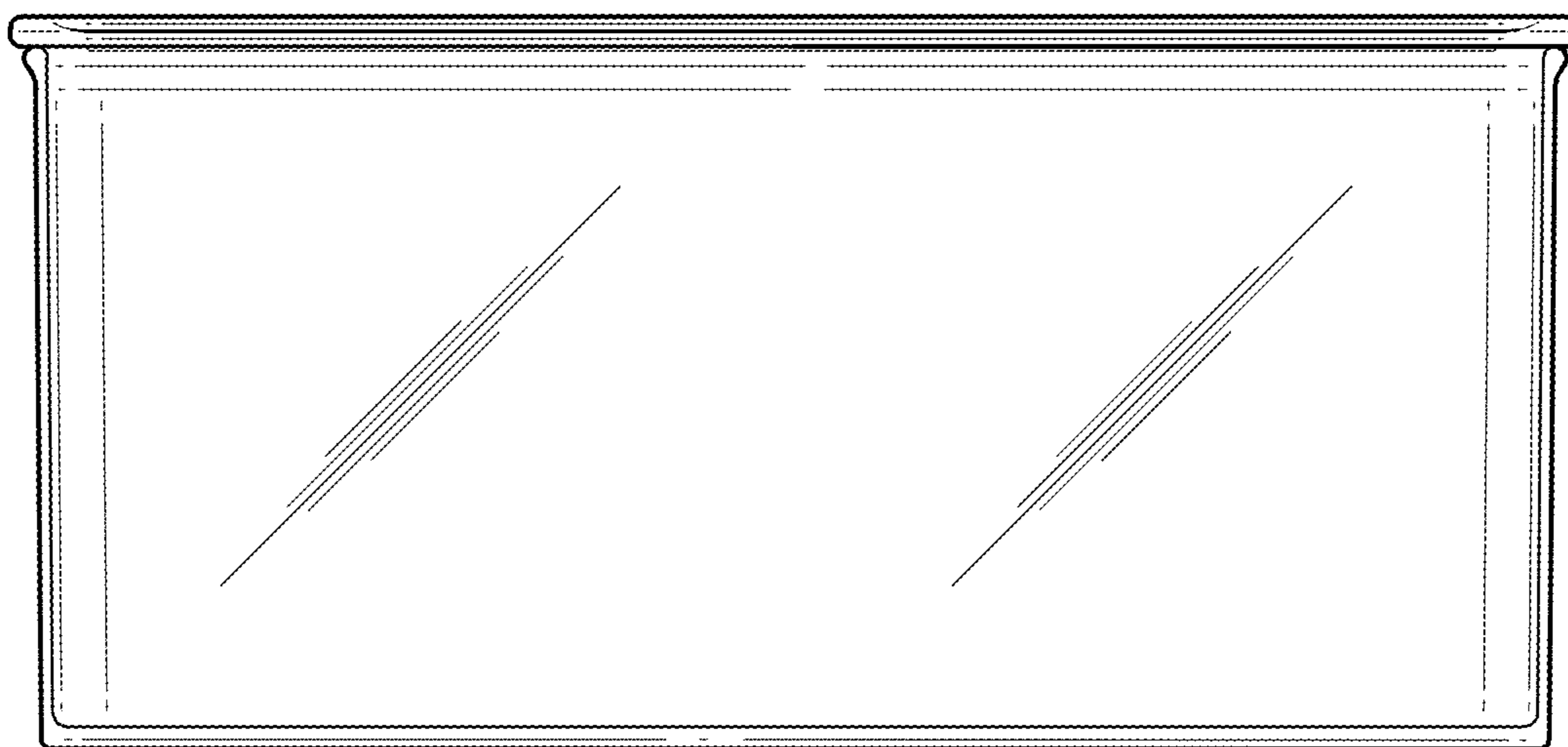


FIG. 3

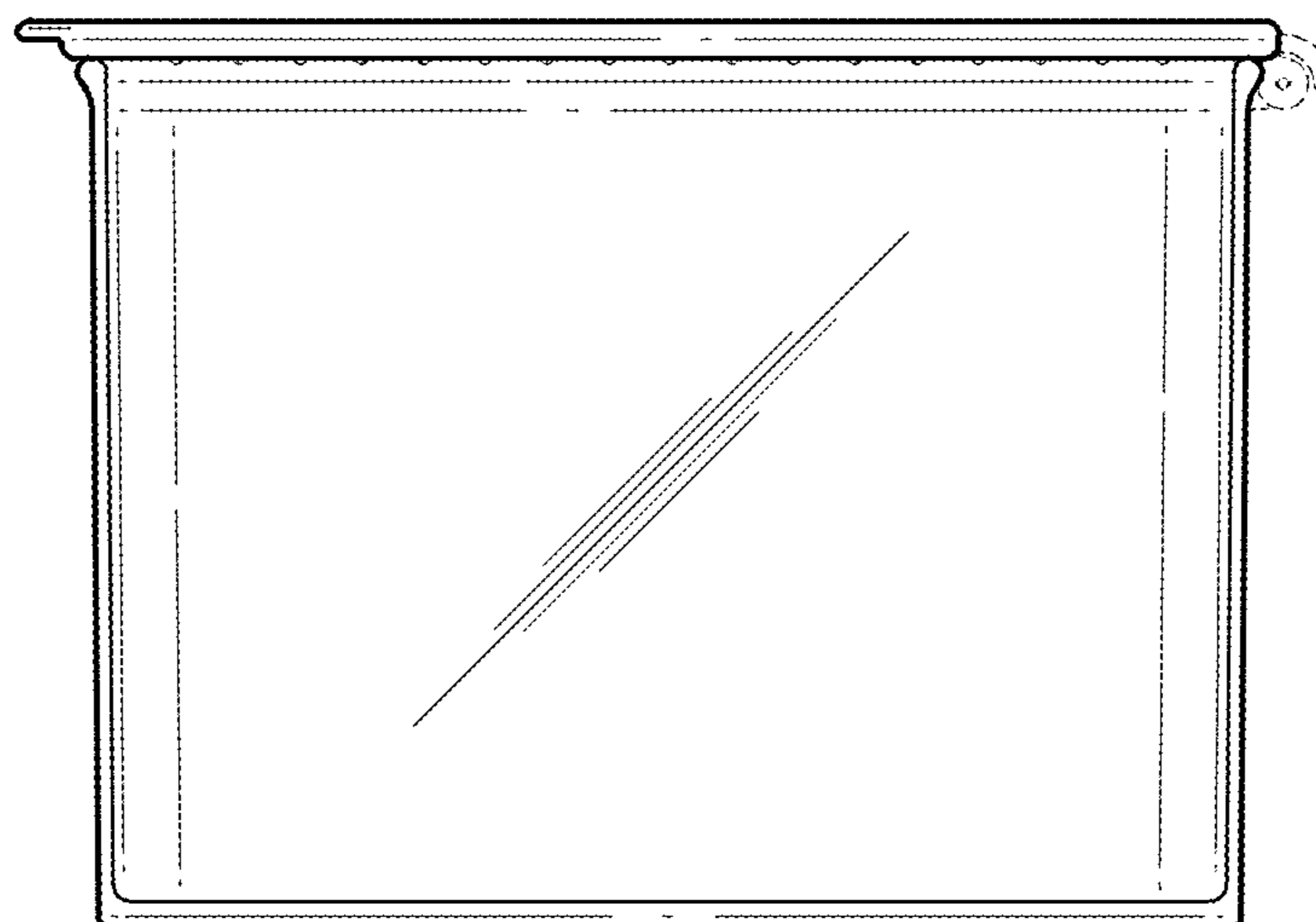


FIG. 4

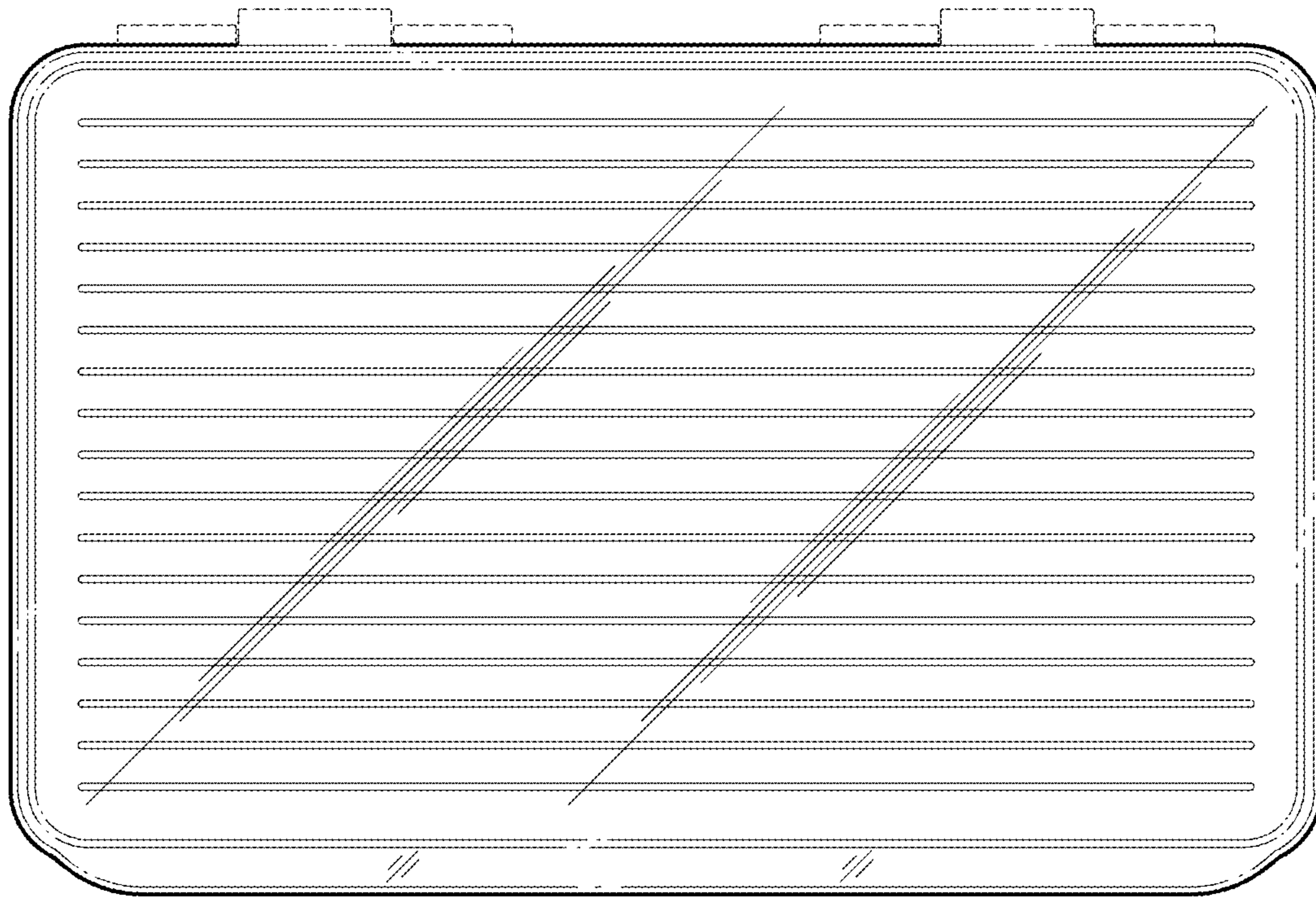


FIG. 5

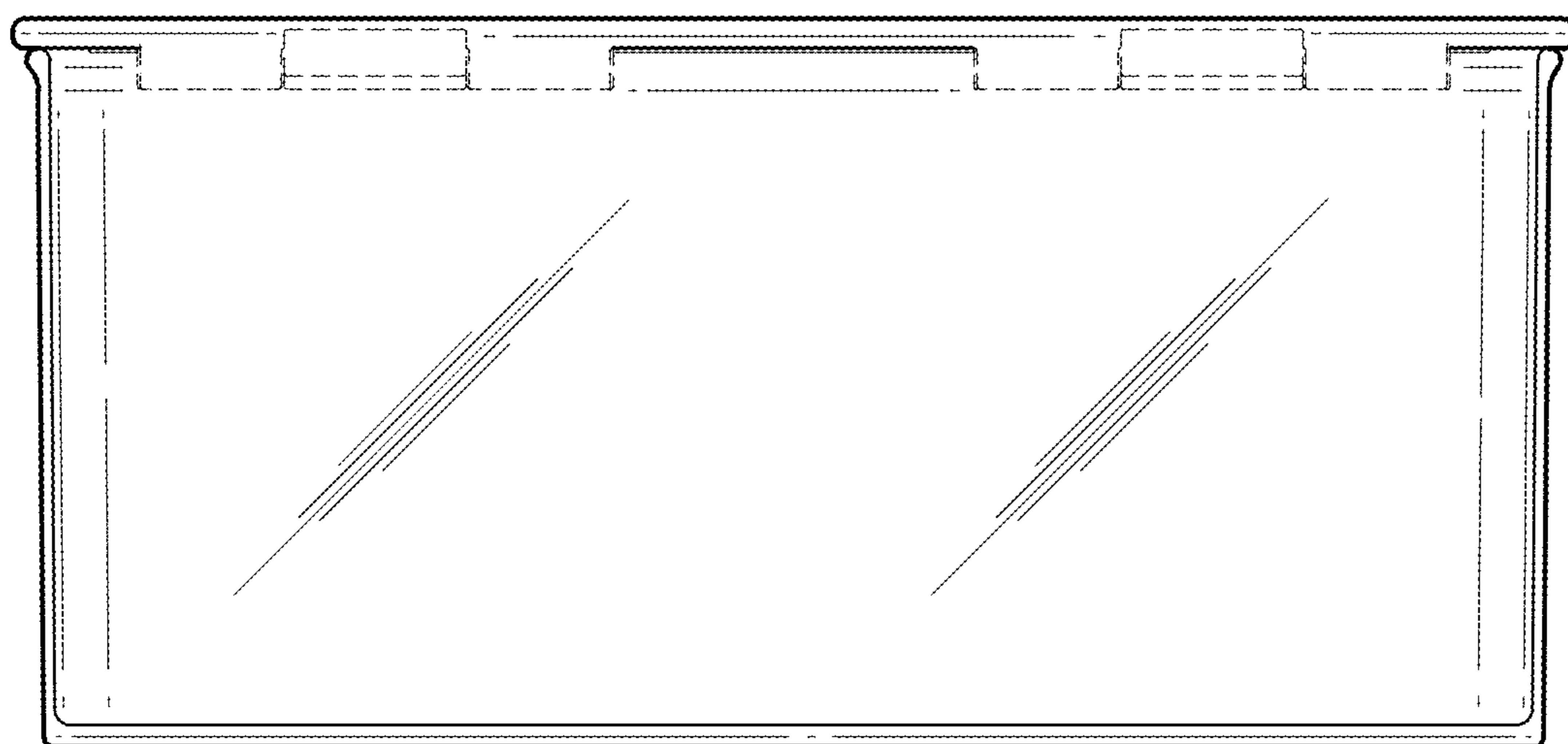


FIG. 6