



US00D960569S

(12) **United States Design Patent** (10) **Patent No.:** **US D960,569 S**
Lo (45) **Date of Patent:** **** Aug. 16, 2022**

(54) **BUILDING BLOCK COLLECTION BOX**

(71) Applicant: **Delsun Co., Ltd.**, Tainan (TW)

(72) Inventor: **Feng-Jung Lo**, Tainan (TW)

(73) Assignee: **Delsun Co., Ltd.**, Tainan (TW)

(**) Term: **15 Years**

(21) Appl. No.: **29/693,594**

(22) Filed: **Jun. 4, 2019**

(51) **LOC (13) Cl.** **03-01**

(52) **U.S. Cl.**
USPC **D3/270**

(58) **Field of Classification Search**
USPC D3/232, 239, 240, 242, 294, 273, 276,
D3/279, 281, 282, 270, 271.1-271.4,
D3/271.6, 271.11, 271.12, 291, 274.4,
D3/304, 901, 201; D21/484, 499, 500,
D21/501, 494, 495, 503, 522
CPC A63H 33/04; A63H 33/06; A63H 33/062;
A63H 33/08; A63H 33/088; A63F 9/12;
A63F 9/1224

See application file for complete search history.

(56) **References Cited**

U.S. PATENT DOCUMENTS

D265,152 S * 6/1982 Bruno D6/525
D301,260 S * 5/1989 McLaughlin D21/500
D328,201 S * 7/1992 Ryaa D3/276
D355,763 S * 2/1995 Sun D3/276
D369,022 S * 4/1996 Sun D3/276
D377,887 S * 2/1997 Credle, Jr. D7/625
D408,142 S * 4/1999 Song D3/276
D647,698 S * 11/2011 Cally D3/271.4
D750,485 S * 3/2016 Lavoie D9/435
D776,205 S * 1/2017 Facey D21/499
10,618,691 B2 * 4/2020 Marschall B65D 77/30

D902,592 S * 11/2020 Kim D3/304
D907,719 S * 1/2021 Semling D21/494
D916,454 S * 4/2021 Guo D3/201
2014/0367397 A1 * 12/2014 Audet D06F 95/002
220/668
2021/0015271 A1 * 1/2021 Lyons A63H 33/00

FOREIGN PATENT DOCUMENTS

CN 305934004 * 7/2020

OTHER PUBLICATIONS

Lego® Brick Scooper Set, posted at roomcopenhagen.com, no posting date, retrieved Jan. 29, 2022, online, URL:https://roomcopenhagen.com/lego-brick-scooper/ (Year: 2022).*

* cited by examiner

Primary Examiner — Mary Shannon Malley
(74) *Attorney, Agent, or Firm* — Alan D. Kamrath; Karin L. Williams; Mayer & Williams PC

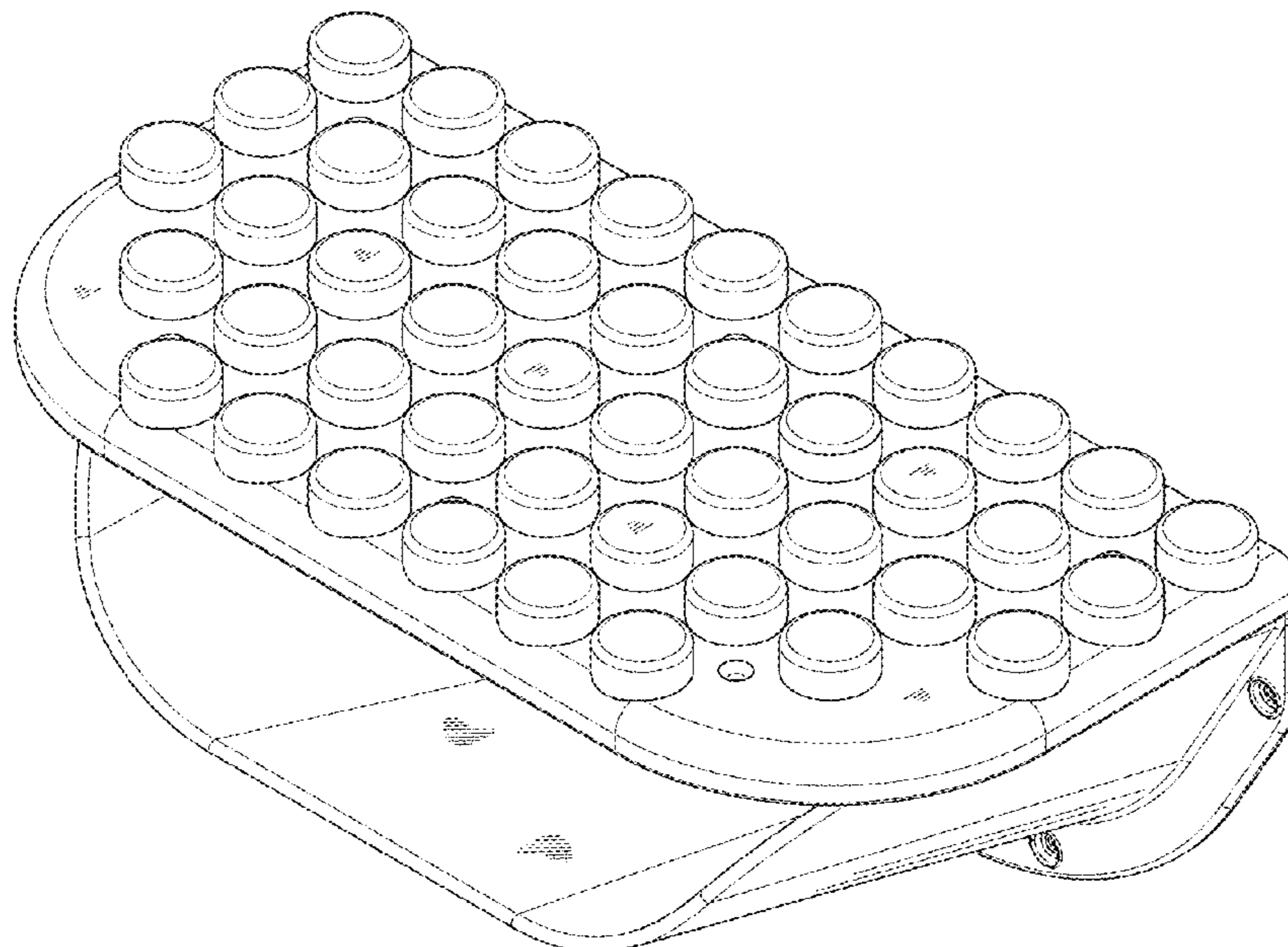
(57) **CLAIM**

The ornamental design for a building block collection box, as shown and described.

DESCRIPTION

FIG. 1 is a perspective view of a building block collection box showing my design.
FIG. 2 is a front elevational view thereof.
FIG. 3 is a rear elevational view thereof.
FIG. 4 is a left side elevational view thereof.
FIG. 5 is a right side elevational view thereof.
FIG. 6 is a top plan view thereof.
FIG. 7 is a bottom plan view thereof; and,
FIG. 8 is a bottom perspective view thereof.
The portions of the building block collection box shown in broken lines form no part of the claimed design.

1 Claim, 8 Drawing Sheets



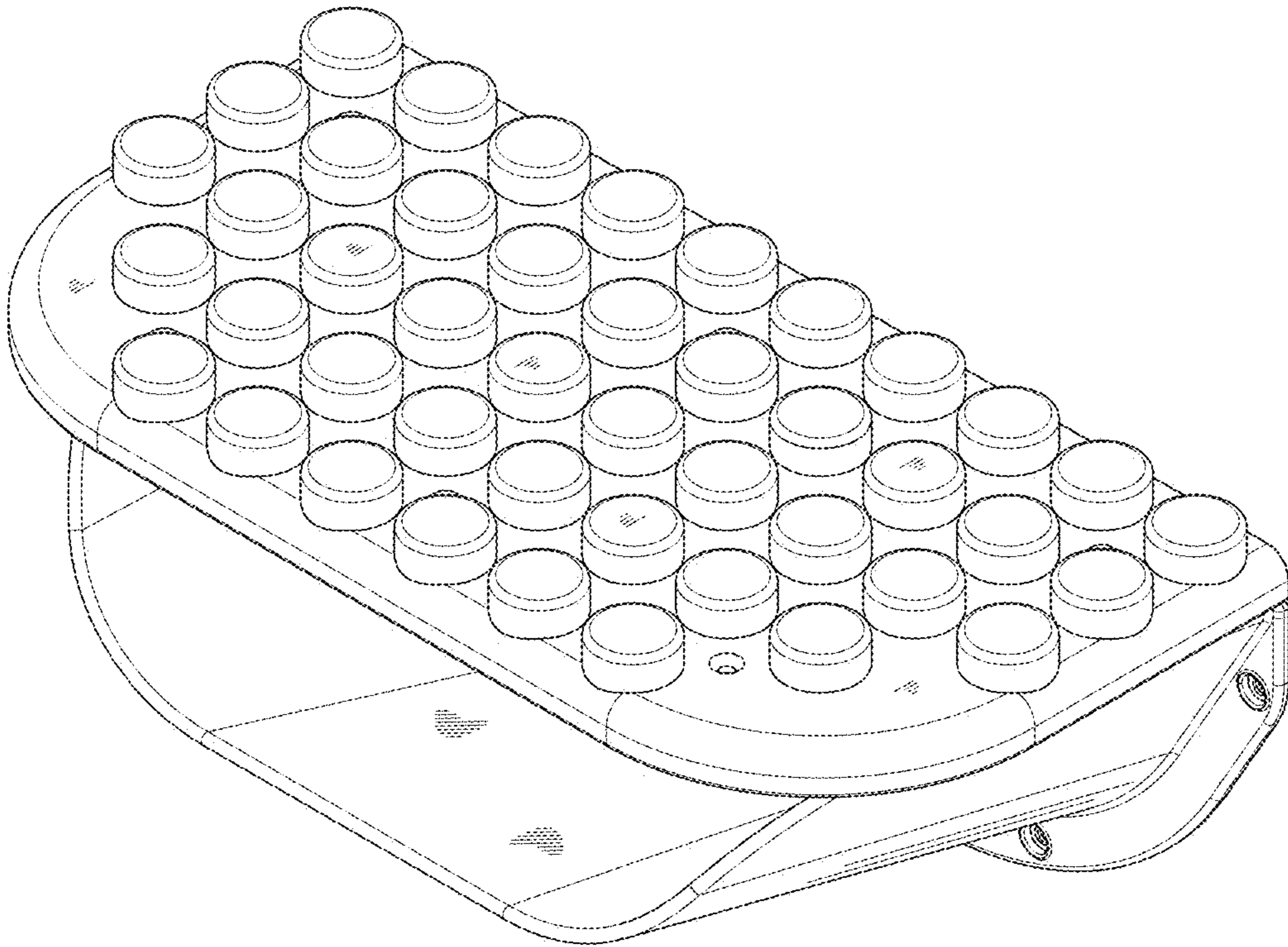


FIG. 1

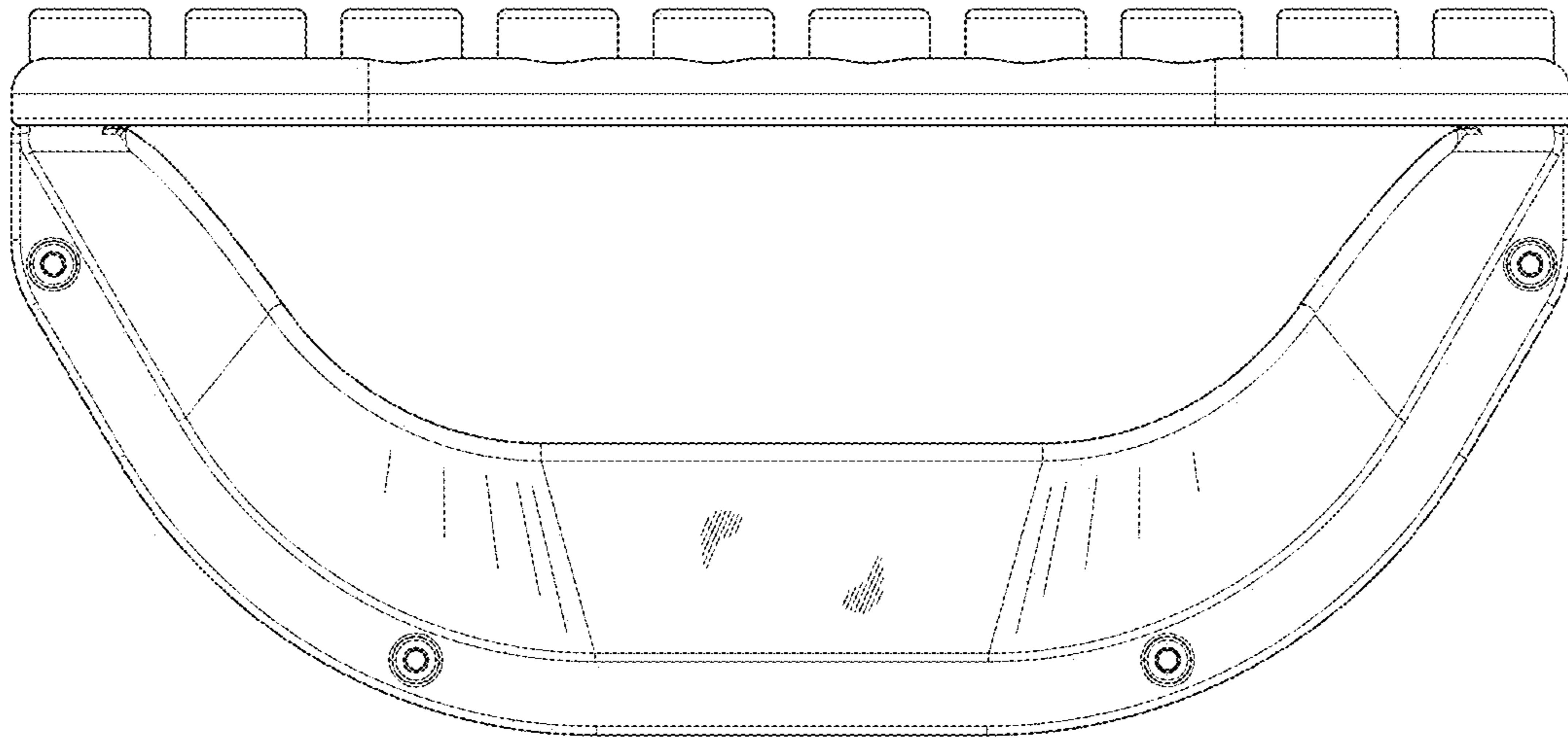


FIG. 2

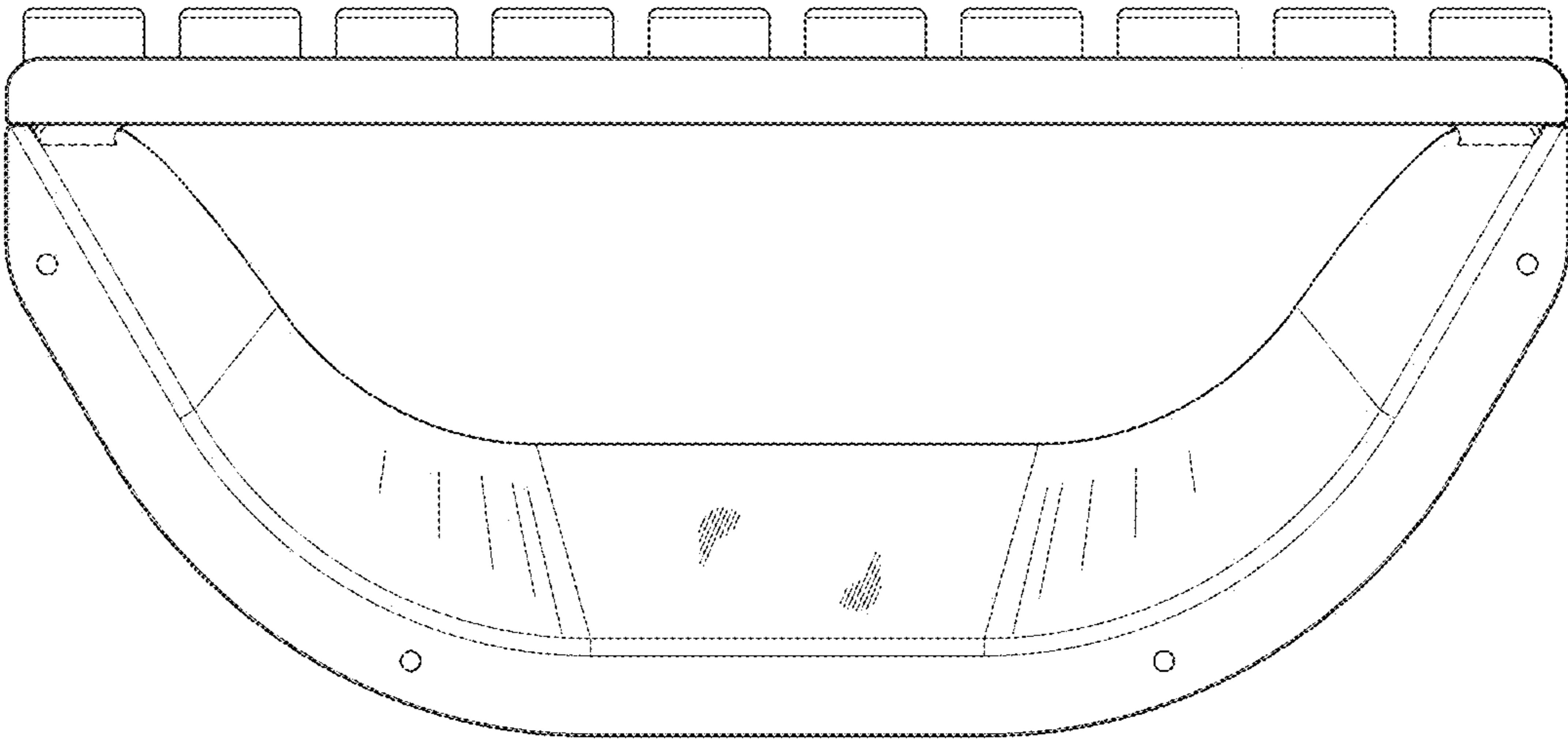


FIG. 3

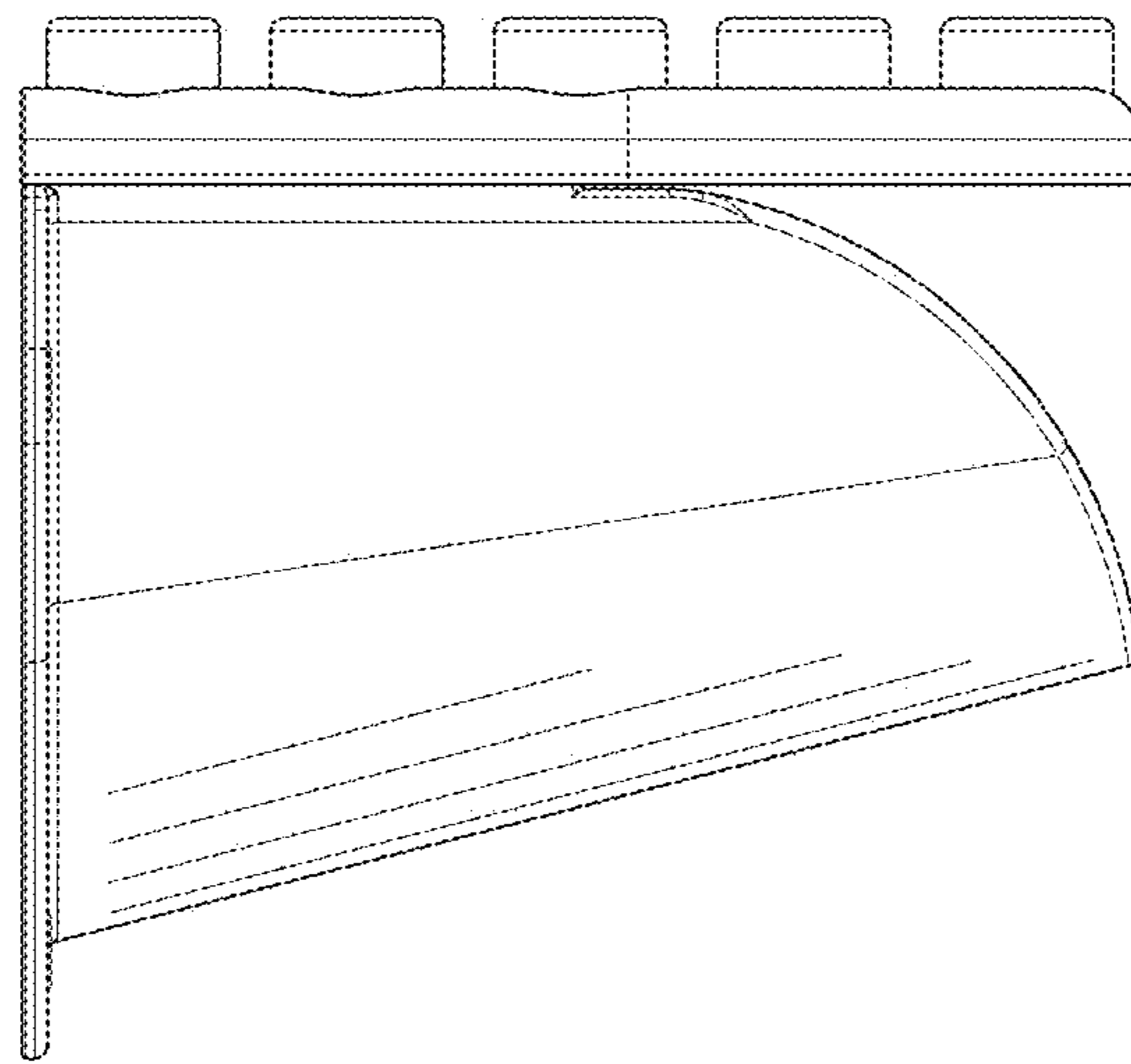


FIG. 4

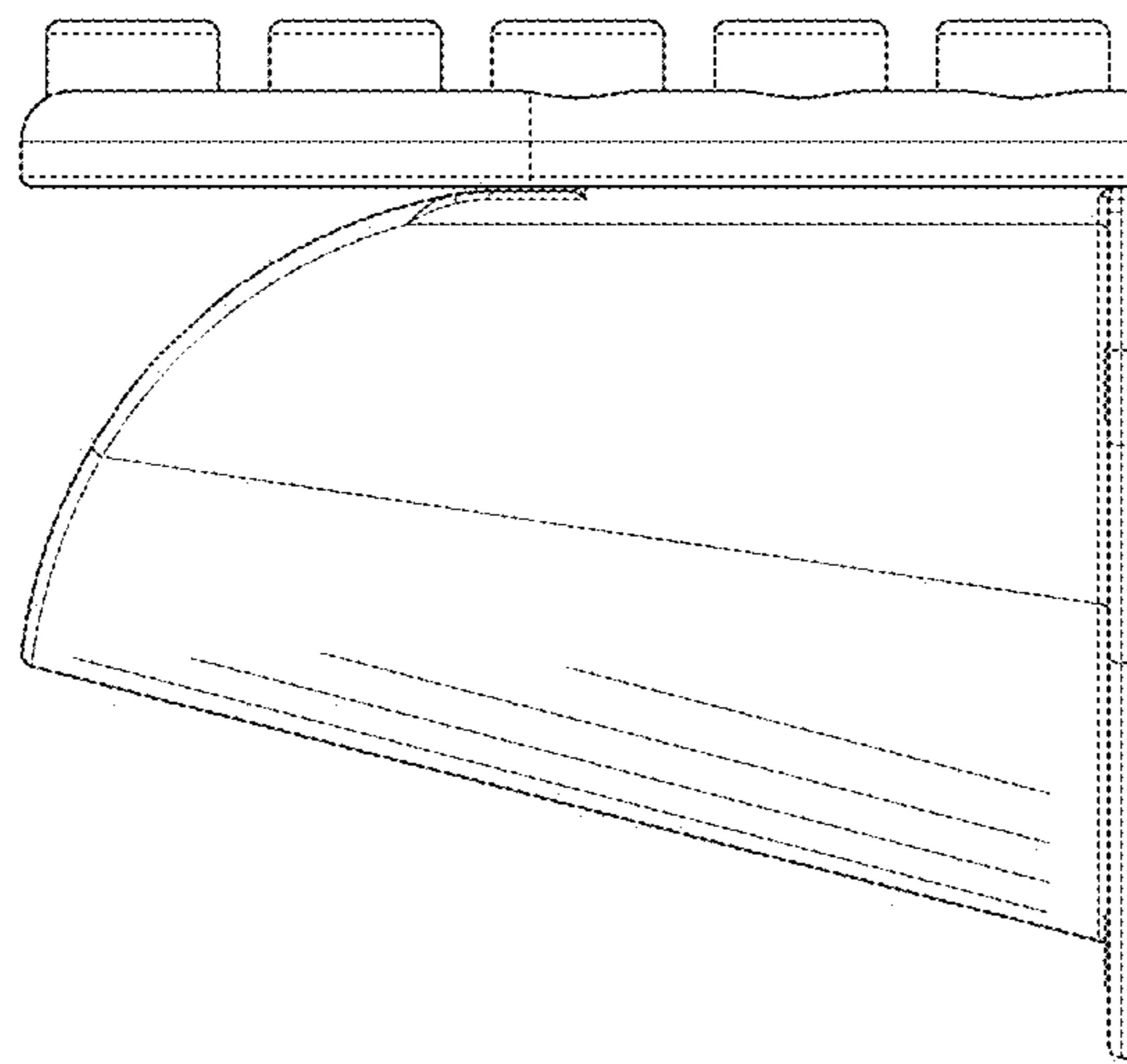


FIG. 5

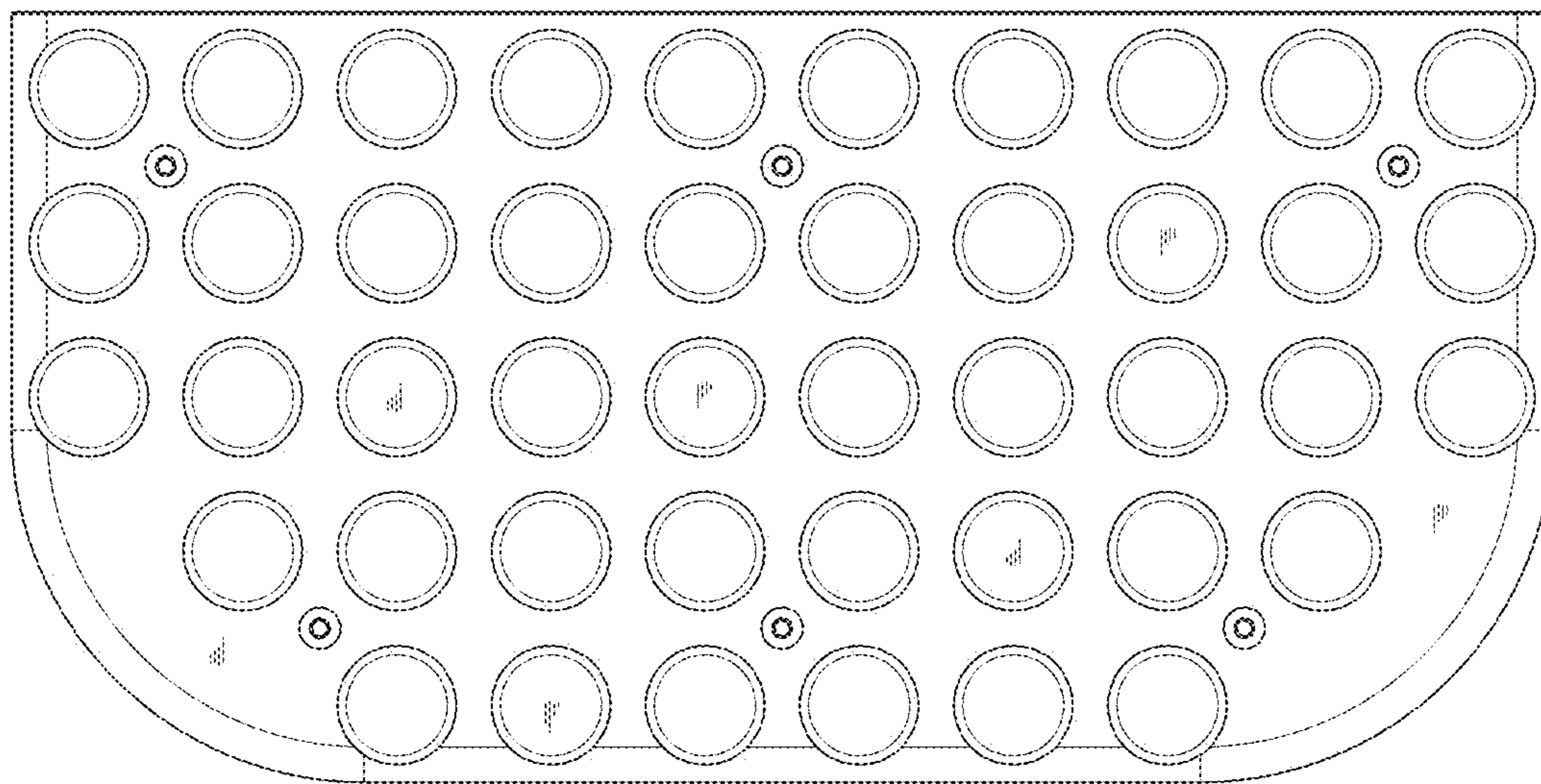


FIG. 6

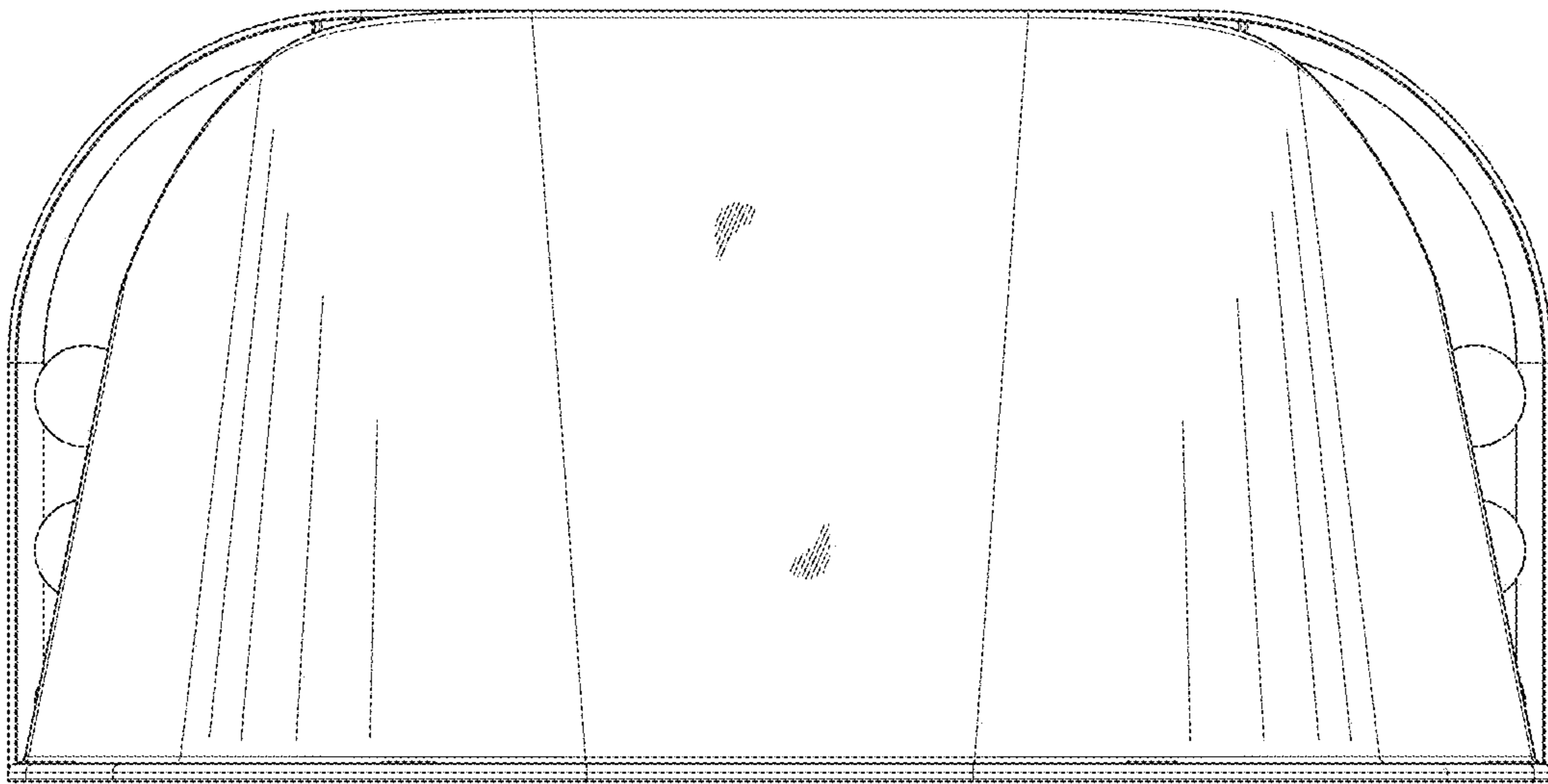


FIG. 7

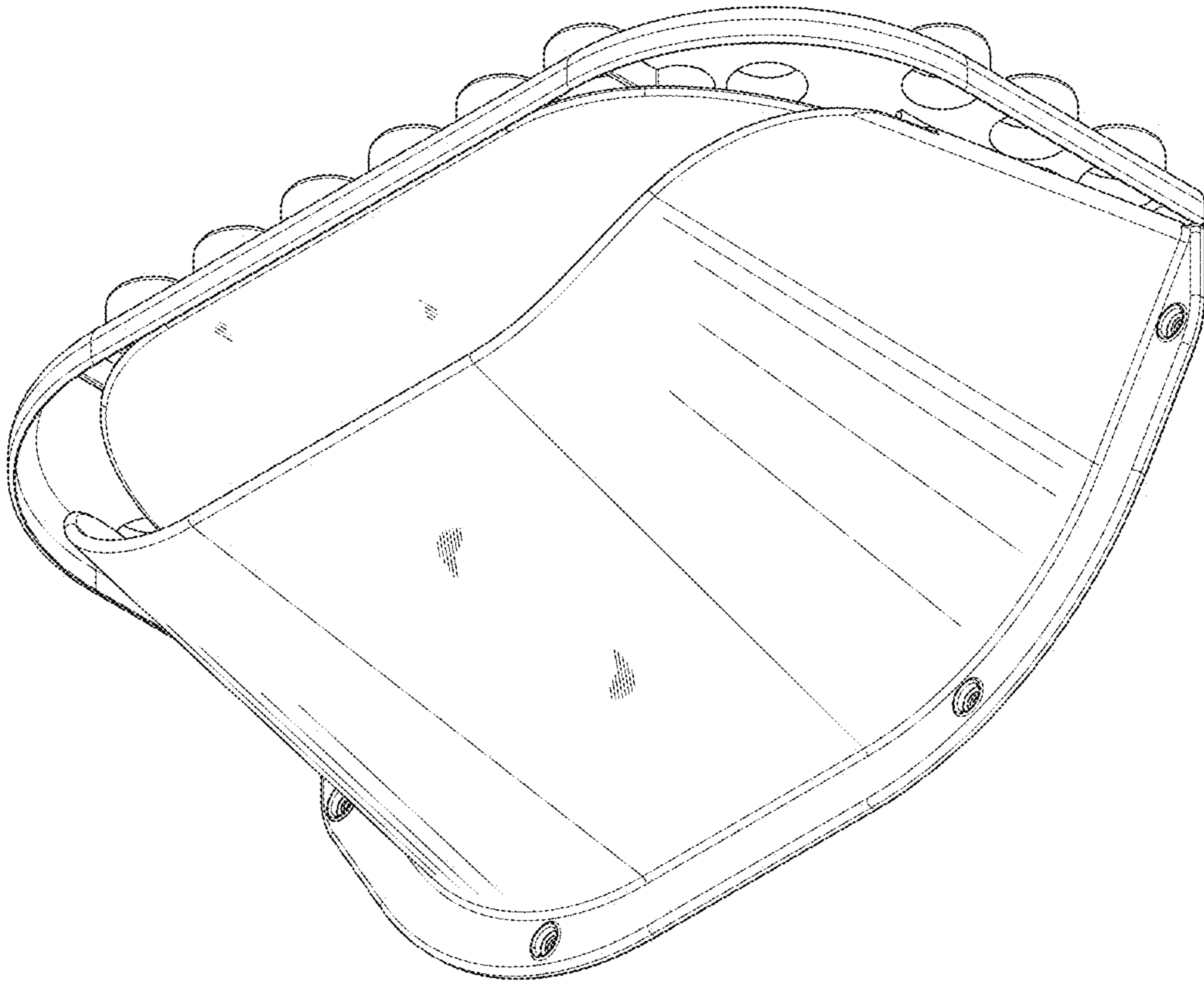


FIG. 8