



US00D960561S

(12) **United States Design Patent** (10) **Patent No.:** **US D960,561 S**
Lin (45) **Date of Patent:** **** Aug. 16, 2022**

(54) **INSULATED BACKPACK**

(71) Applicant: **XIAMEN WORTHFIND
E-COMMERCE CO., LTD.**, Xiamen
(CN)

(72) Inventor: **Lijuan Lin**, Xiamen (CN)

(73) Assignee: **XIAMEN WORTHFIND
E-COMMERCE CO., LTD.**, Xiamen
(CN)

(**) Term: **15 Years**

(21) Appl. No.: **29/785,485**

(22) Filed: **May 26, 2021**

(30) **Foreign Application Priority Data**

Apr. 23, 2021 (CN) 202130235120.0

(51) **LOC (13) Cl.** **03-01**

(52) **U.S. Cl.**
USPC **D3/217**

(58) **Field of Classification Search**
USPC D3/216, 217; D7/605, 607
CPC .. A45F 3/04; A45C 11/20; F25D 3/08; Y02A
40/963
See application file for complete search history.

(56) **References Cited**

U.S. PATENT DOCUMENTS

8,893,940 B2 * 11/2014 Green A45F 3/08
224/604
D822,378 S * 7/2018 Franek D3/216
D828,728 S * 9/2018 Jacobsen D7/607
D866,956 S 11/2019 Wu
D867,823 S * 11/2019 Jacobsen D3/216
D887,705 S * 6/2020 Feng D3/217
D890,517 S 7/2020 Smith

D918,666 S * 5/2021 Munie D7/607
D922,149 S * 6/2021 Munie D3/216
D922,828 S * 6/2021 Munie D3/216
D941,635 S * 1/2022 Mukri D3/217
2007/0237432 A1 * 10/2007 Mogil A45C 7/0077
383/38

OTHER PUBLICATIONS

TOURIT Backpack Cooler Leakproof Insulated Cooler Backpack
Large Capacity Lightweight Soft Cooler Bag for Men Women to
Picnics, Camping, Hiking, Beach, Park or Day Trips, Amazon first
available date Dec. 26, 2020, viewed on Mar. 23, 2022. Available at
UrL : https://www.amazon.com/TOURIT-Backpack-Leakproof-Insulated-Light.*

* cited by examiner

Primary Examiner — Jennifer L Watkins

(57) **CLAIM**

The ornamental design for an insulated backpack, as shown
and described.

DESCRIPTION

FIG. 1 is a perspective view of an insulated backpack
showing my new design;
FIG. 2 is another perspective view thereof;
FIG. 3 is a front elevational view thereof;
FIG. 4 is a rear elevational view thereof;
FIG. 5 is a left side elevational view thereof;
FIG. 6 is a right side elevational view thereof;
FIG. 7 is a top plan view thereof; and,
FIG. 8 is a bottom plan view thereof.
The broken lines in the drawings depict portions of the
insulated backpack that form no part of the claimed design.

1 Claim, 8 Drawing Sheets

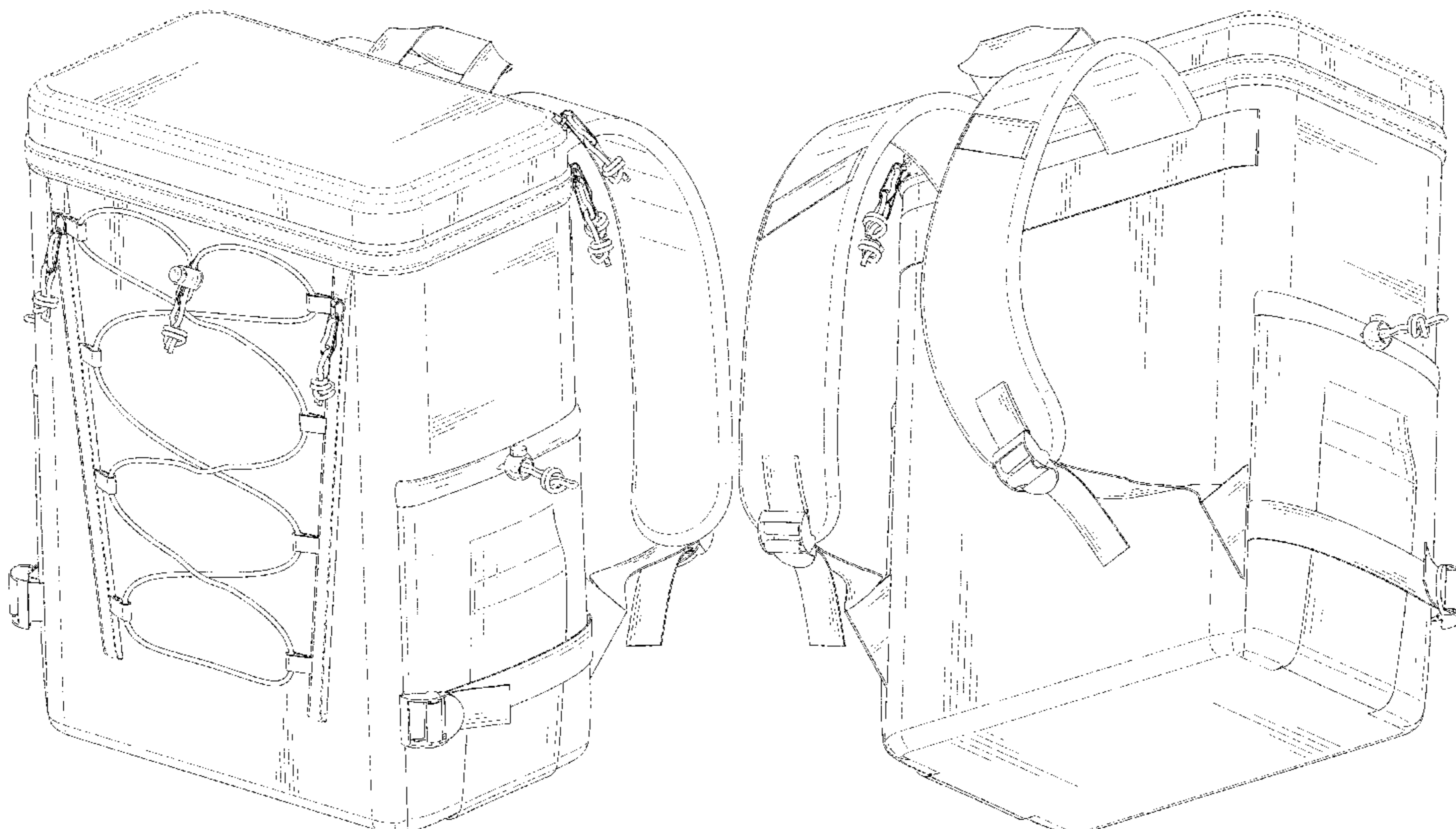




FIG. 1

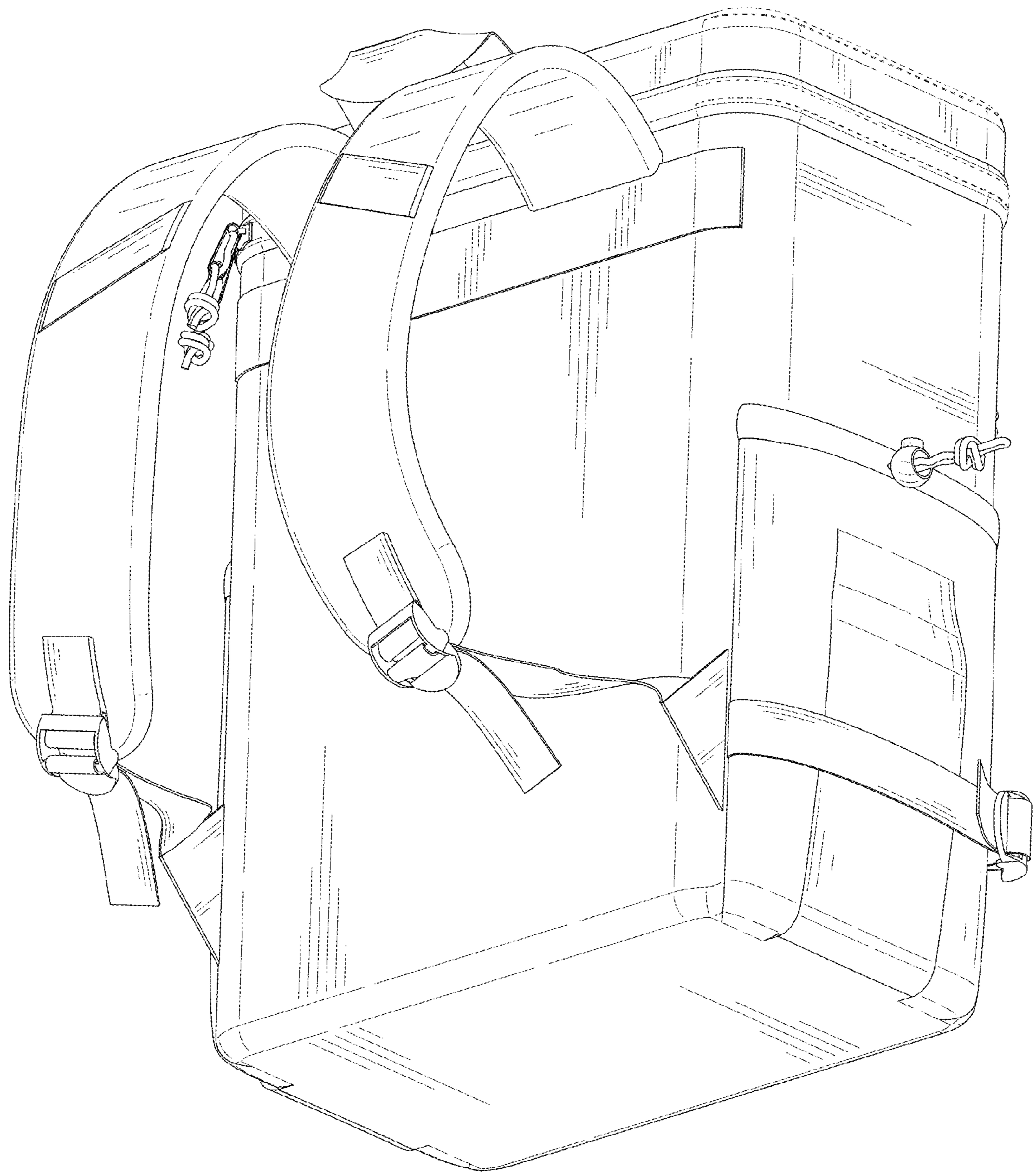


FIG. 2

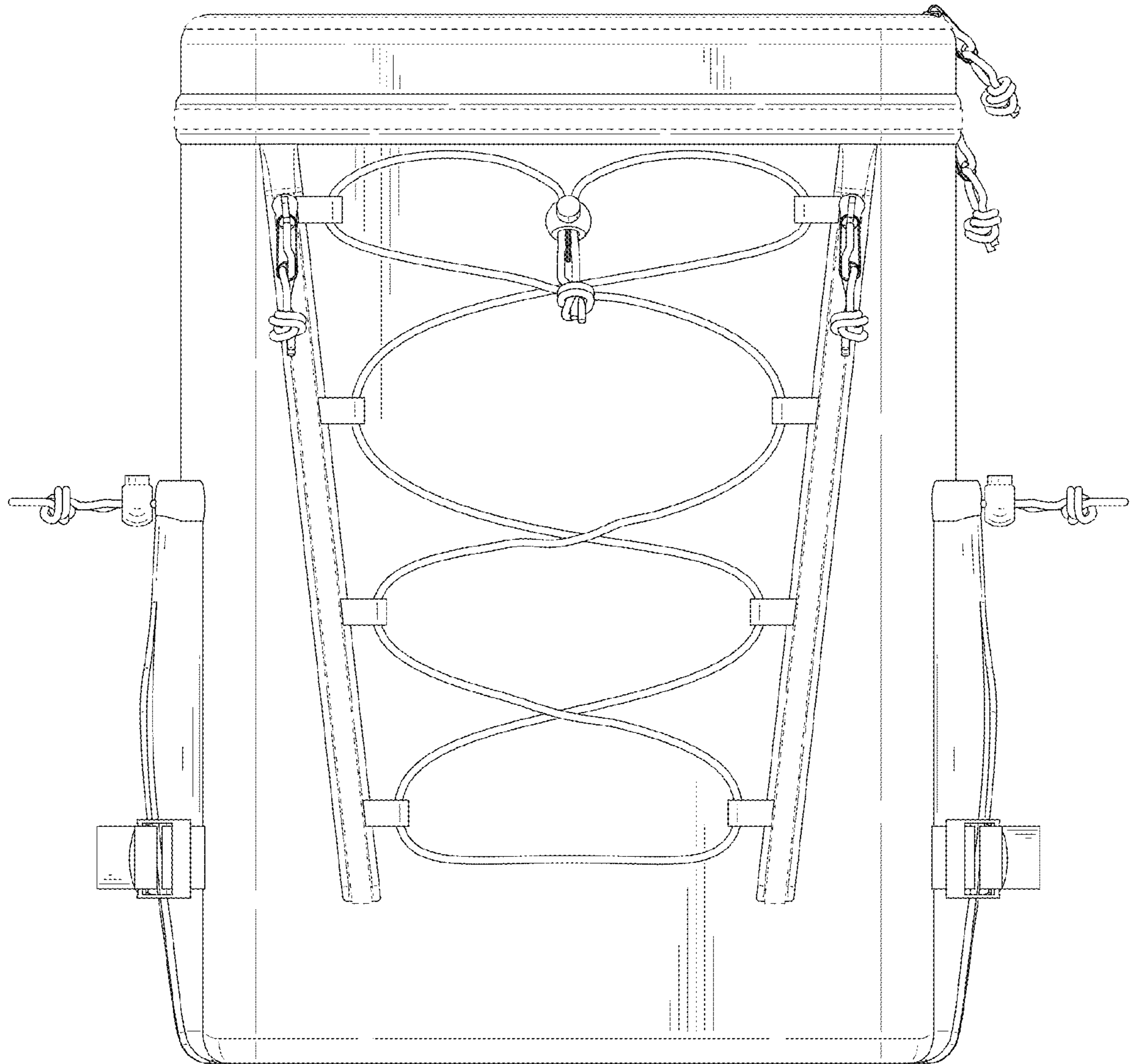


FIG. 3

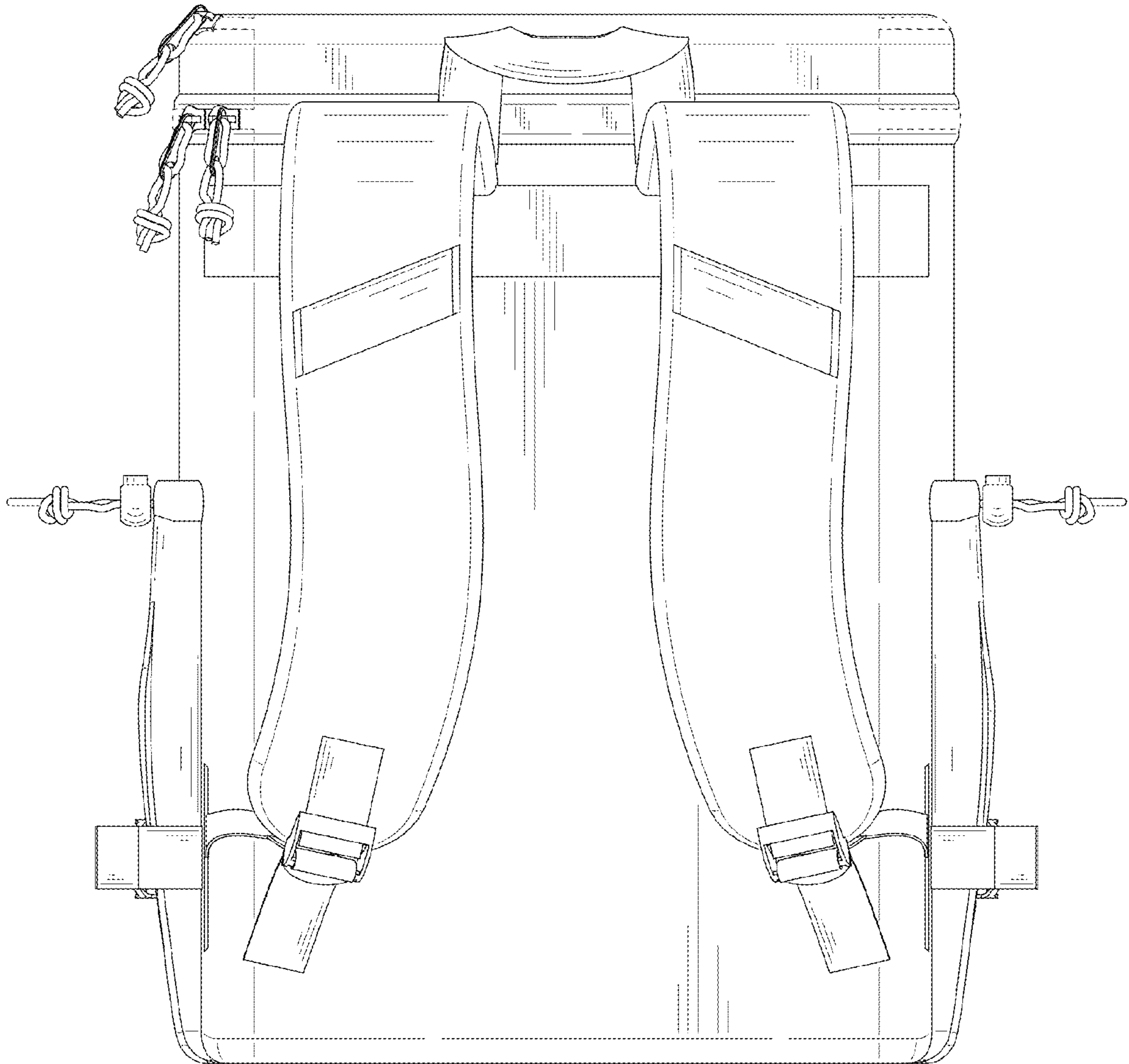


FIG. 4

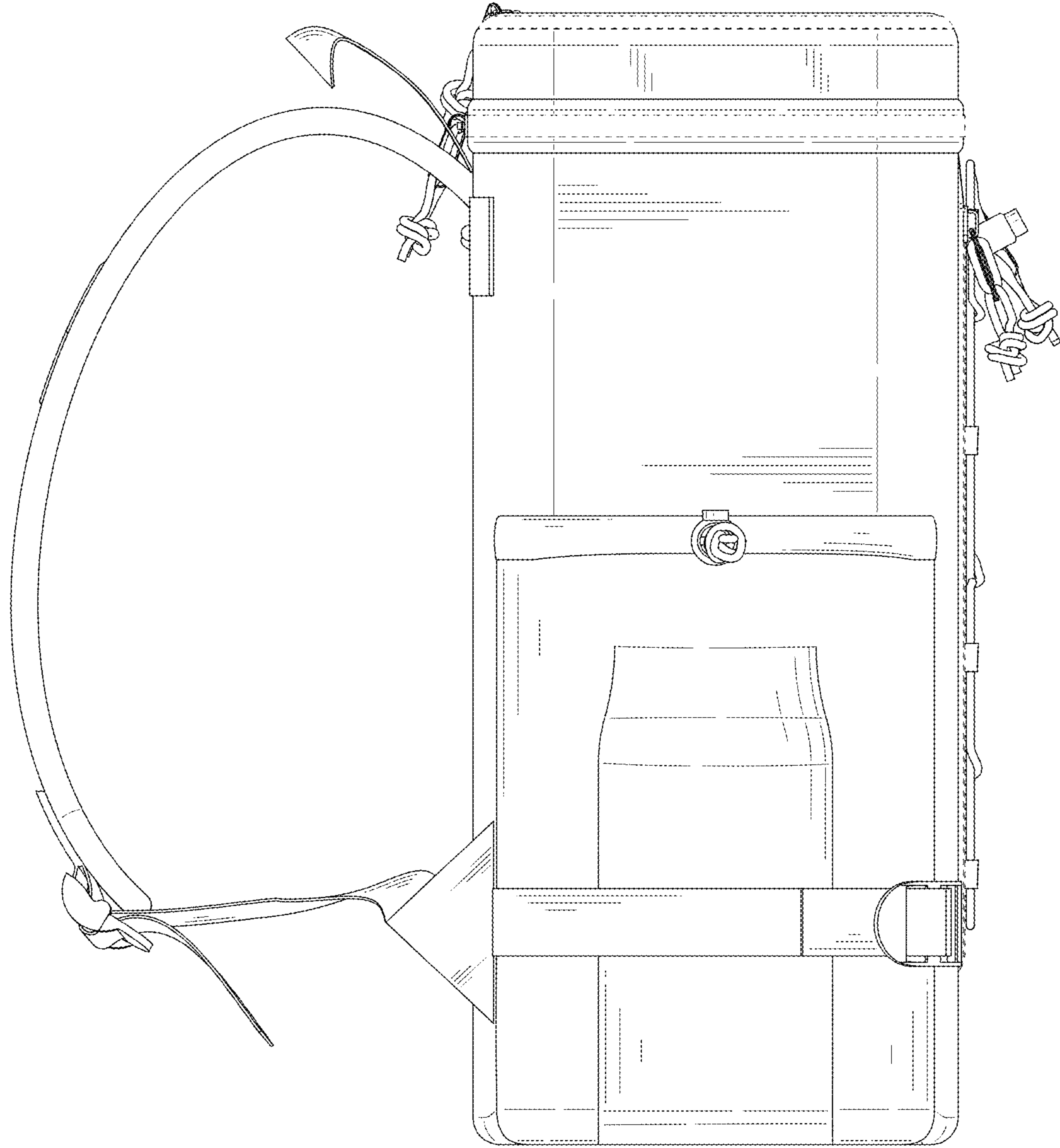


FIG. 5

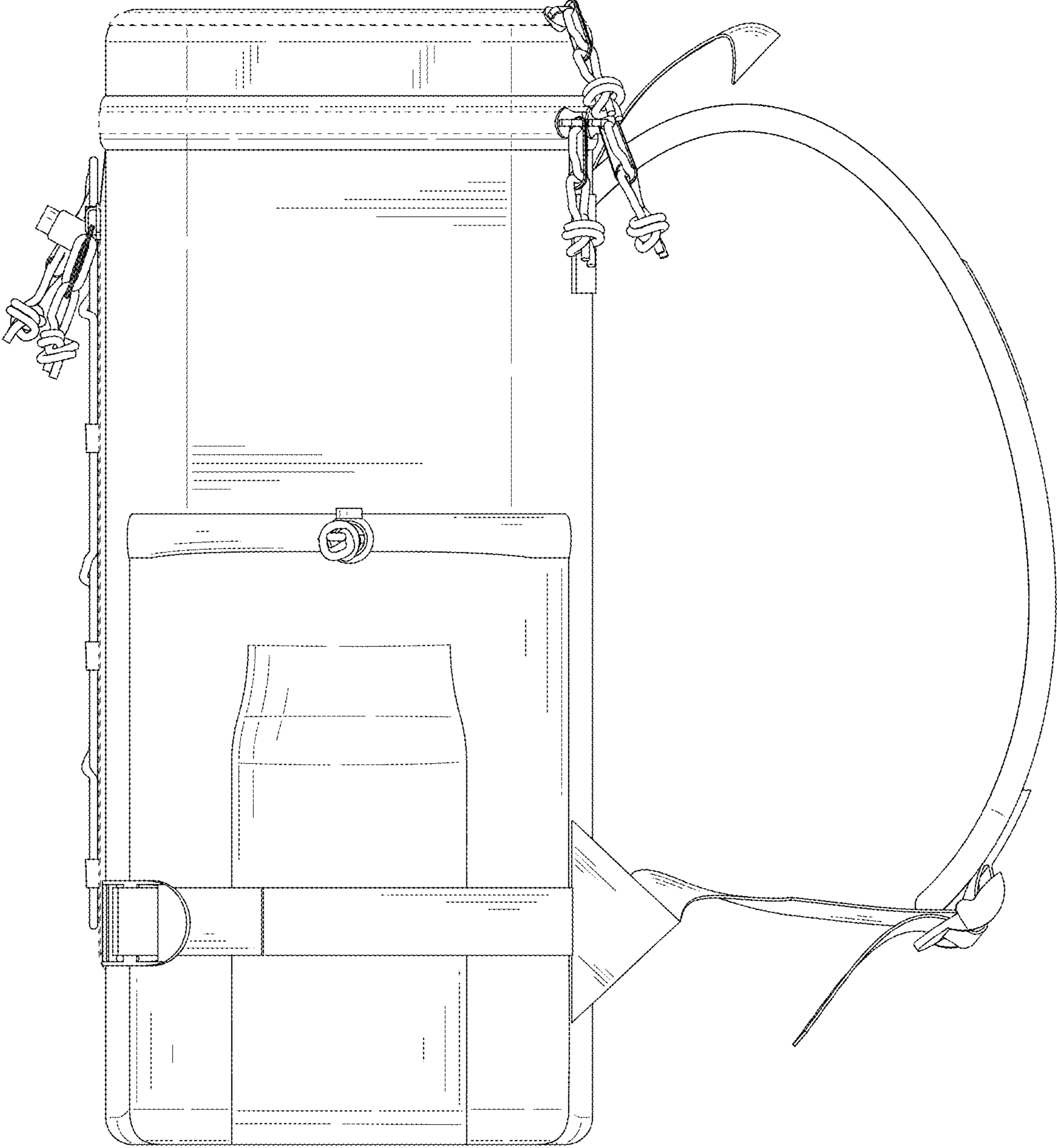


FIG. 6

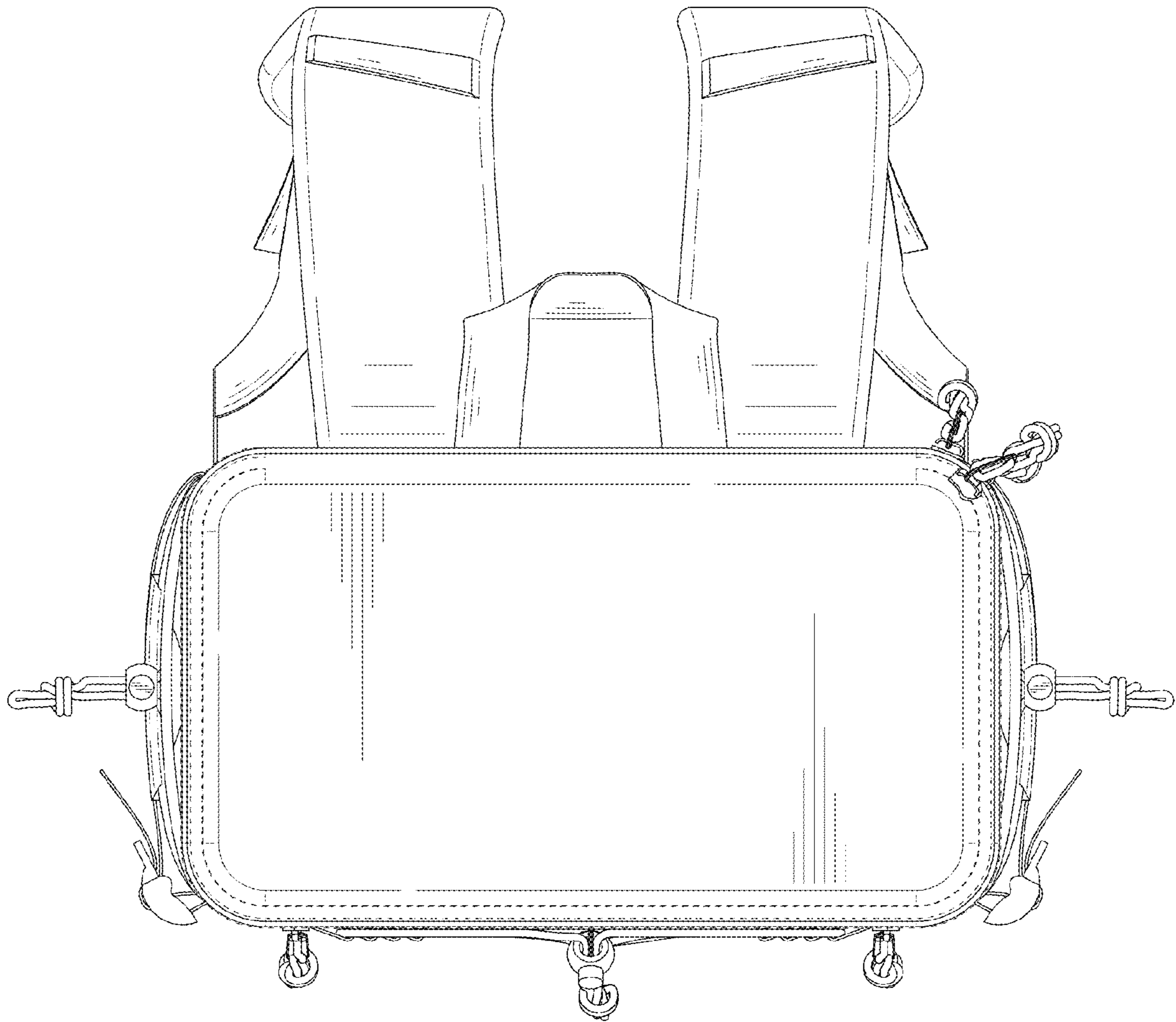


FIG. 7

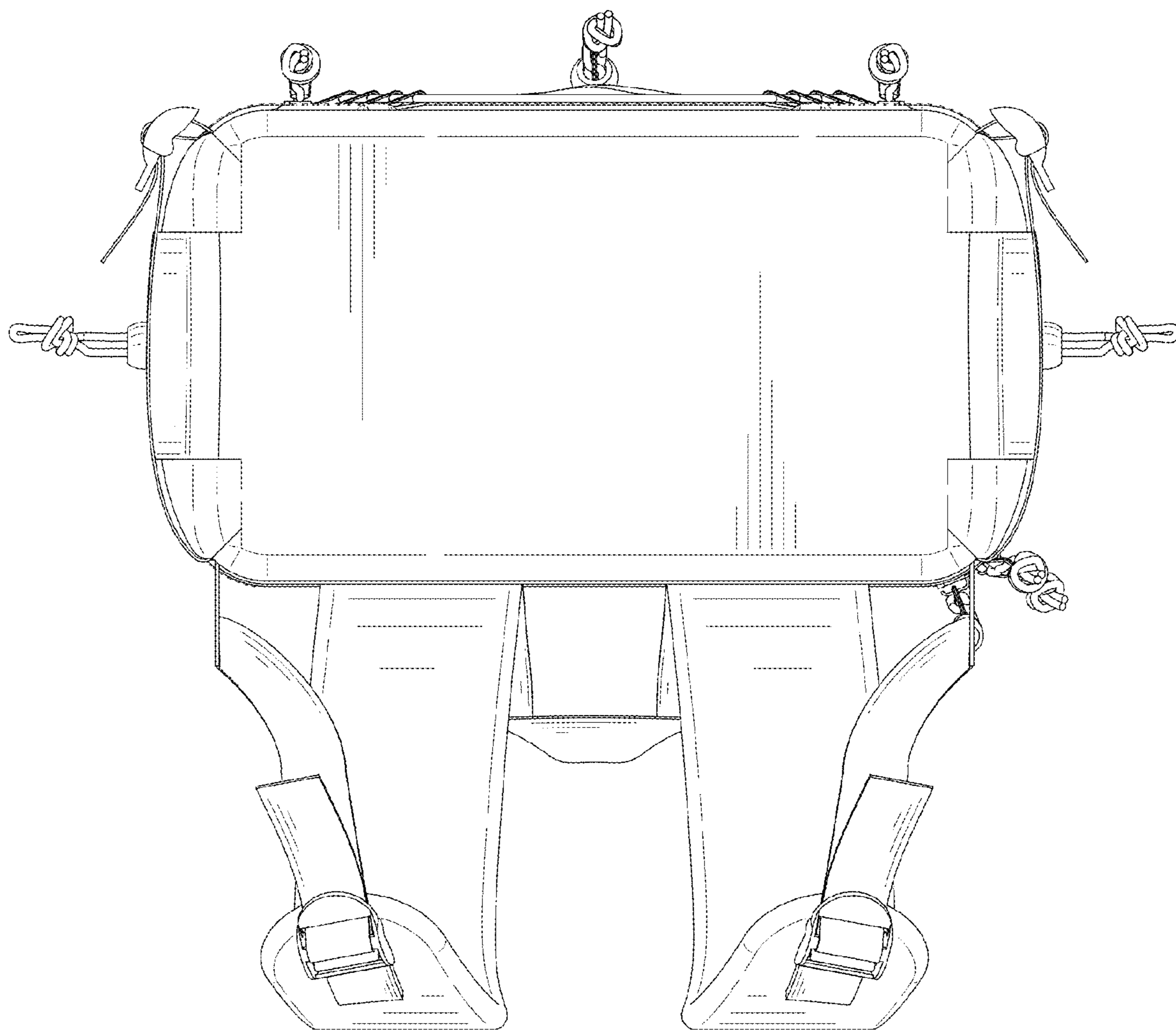


FIG. 8