



US00D960560S

(12) **United States Design Patent**  
**Lin**

(10) **Patent No.:** **US D960,560 S**

(45) **Date of Patent:** **\*\* Aug. 16, 2022**

(54) **INSULATED BACKPACK**

(71) Applicant: **XIAMEN WORTHFIND  
E-COMMERCE CO., LTD.**, Xiamen  
(CN)

(72) Inventor: **Lijuan Lin**, Xiamen (CN)

(73) Assignee: **XIAMEN WORTHFIND  
E-COMMERCE CO., LTD.**, Xiamen  
(CN)

(\*\*) Term: **15 Years**

(21) Appl. No.: **29/785,483**

(22) Filed: **May 26, 2021**

(30) **Foreign Application Priority Data**

Apr. 21, 2021 (CN) ..... 202130228047.4

(51) **LOC (13) Cl.** ..... **03-01**

(52) **U.S. Cl.**  
USPC ..... **D3/217; D7/607**

(58) **Field of Classification Search**  
USPC ..... D3/216, 217; D7/605, 607  
CPC .. A45F 3/04; A45C 11/20; F25D 3/08; Y02A  
40/963  
See application file for complete search history.

(56) **References Cited**

**U.S. PATENT DOCUMENTS**

- 5,509,279 A \* 4/1996 Brown ..... A45C 11/20  
62/457.7
- D434,609 S \* 12/2000 Yu ..... D7/607
- 8,893,940 B2 \* 11/2014 Green ..... A45F 3/08  
224/604
- D781,049 S 3/2017 Kemp et al.
- D819,959 S \* 6/2018 Choi ..... D3/217
- D822,378 S \* 7/2018 Franek ..... D3/216
- D828,728 S \* 9/2018 Jacobsen ..... D7/607

- D829,435 S 10/2018 Viger et al.
- D843,107 S \* 3/2019 Swaggart ..... D3/217
- D861,329 S \* 10/2019 Wei ..... D3/217
- D867,823 S \* 11/2019 Jacobsen ..... D3/216
- D868,545 S \* 12/2019 Lin ..... D7/607
- D887,705 S \* 6/2020 Feng ..... D3/217
- D918,666 S \* 5/2021 Munie ..... D7/607
- D922,149 S \* 6/2021 Munie ..... D3/216
- D922,828 S \* 6/2021 Munie ..... D3/216
- D941,014 S \* 1/2022 Ren ..... D3/217
- D941,635 S \* 1/2022 Mukri ..... D3/217
- D945,148 S \* 3/2022 Liao ..... D3/217

(Continued)

**OTHER PUBLICATIONS**

Tourit 42 Cans Backpack Cooler Leakproof Large Capacity Insulated Backpack, Amazon first available date Dec. 26, 2020, viewed on Mar. 23, 2022. Available at URL: [https://www.amazon.com/TOURIT-Backpack-Leakproof-Capacity-Insula.\\*](https://www.amazon.com/TOURIT-Backpack-Leakproof-Capacity-Insula.*)

*Primary Examiner* — Jennifer L Watkins

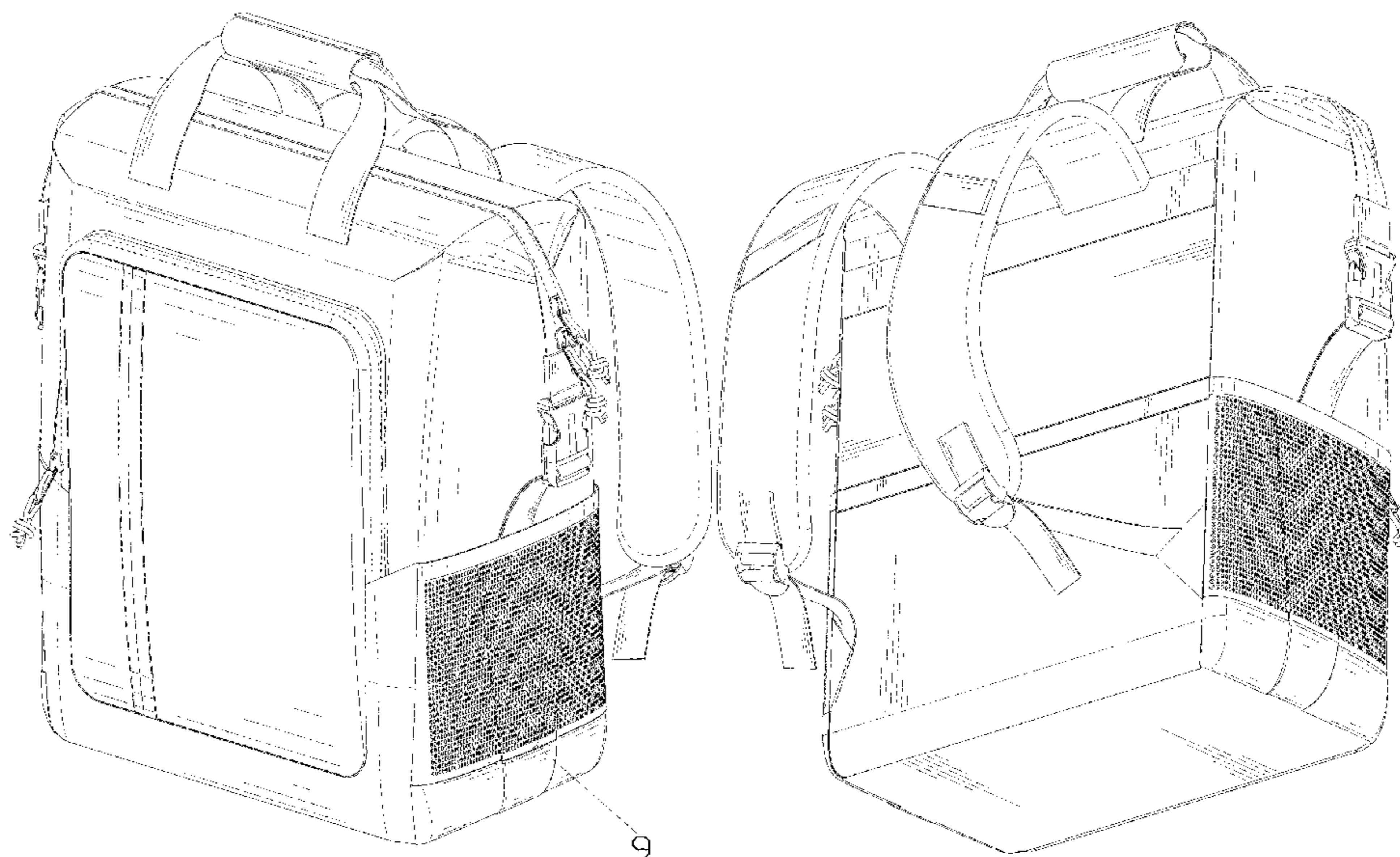
(57) **CLAIM**

The ornamental design for an insulated backpack, as shown and described.

**DESCRIPTION**

FIG. 1 is a perspective view of an insulated backpack showing my new design;  
FIG. 2 is another perspective view thereof;  
FIG. 3 is a front elevational view thereof;  
FIG. 4 is a rear elevational view thereof;  
FIG. 5 is a left side elevational view thereof;  
FIG. 6 is a right side elevational view thereof;  
FIG. 7 is a top plan view thereof;  
FIG. 8 is a bottom plan view thereof; and,  
FIG. 9 is an enlarged view of portion 9 shown in FIG. 1.  
The broken lines in the drawings depict portions of the insulated backpack that form no part of the claimed design.

**1 Claim, 9 Drawing Sheets**



(56)

**References Cited**

U.S. PATENT DOCUMENTS

2007/0237432 A1 \* 10/2007 Mogil ..... A45C 7/0077  
383/38

\* cited by examiner



FIG. 1

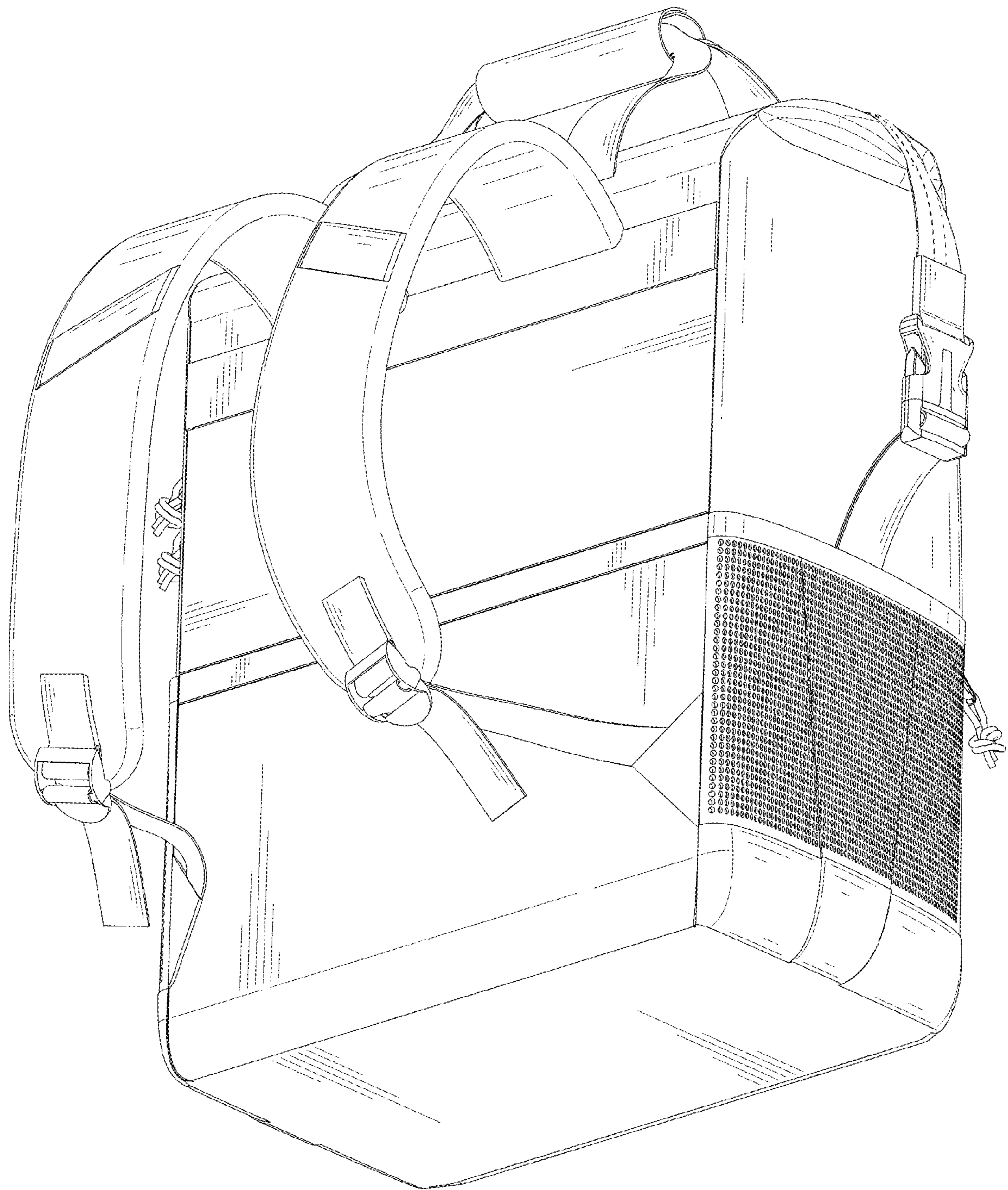


FIG. 2

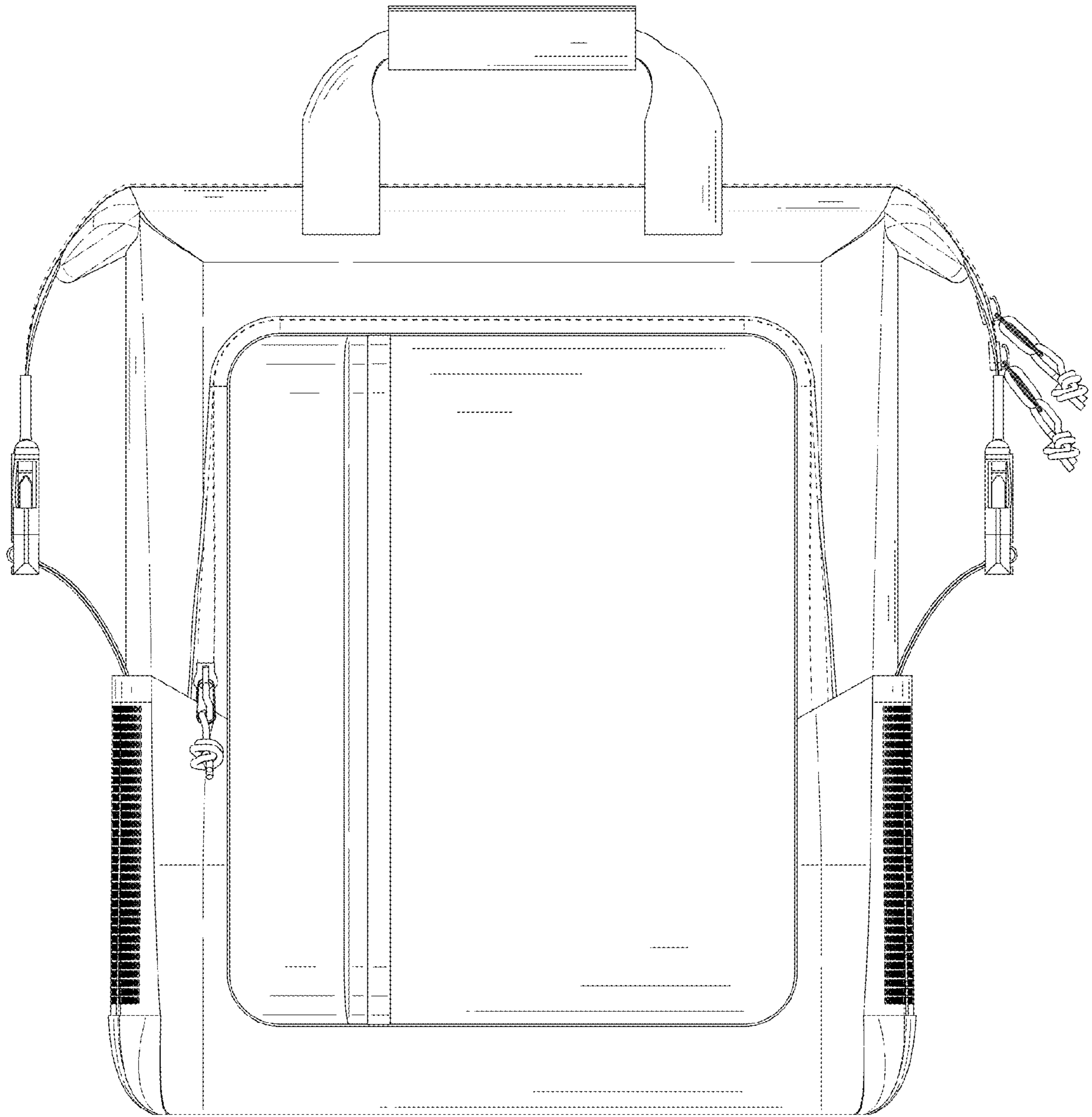


FIG. 3

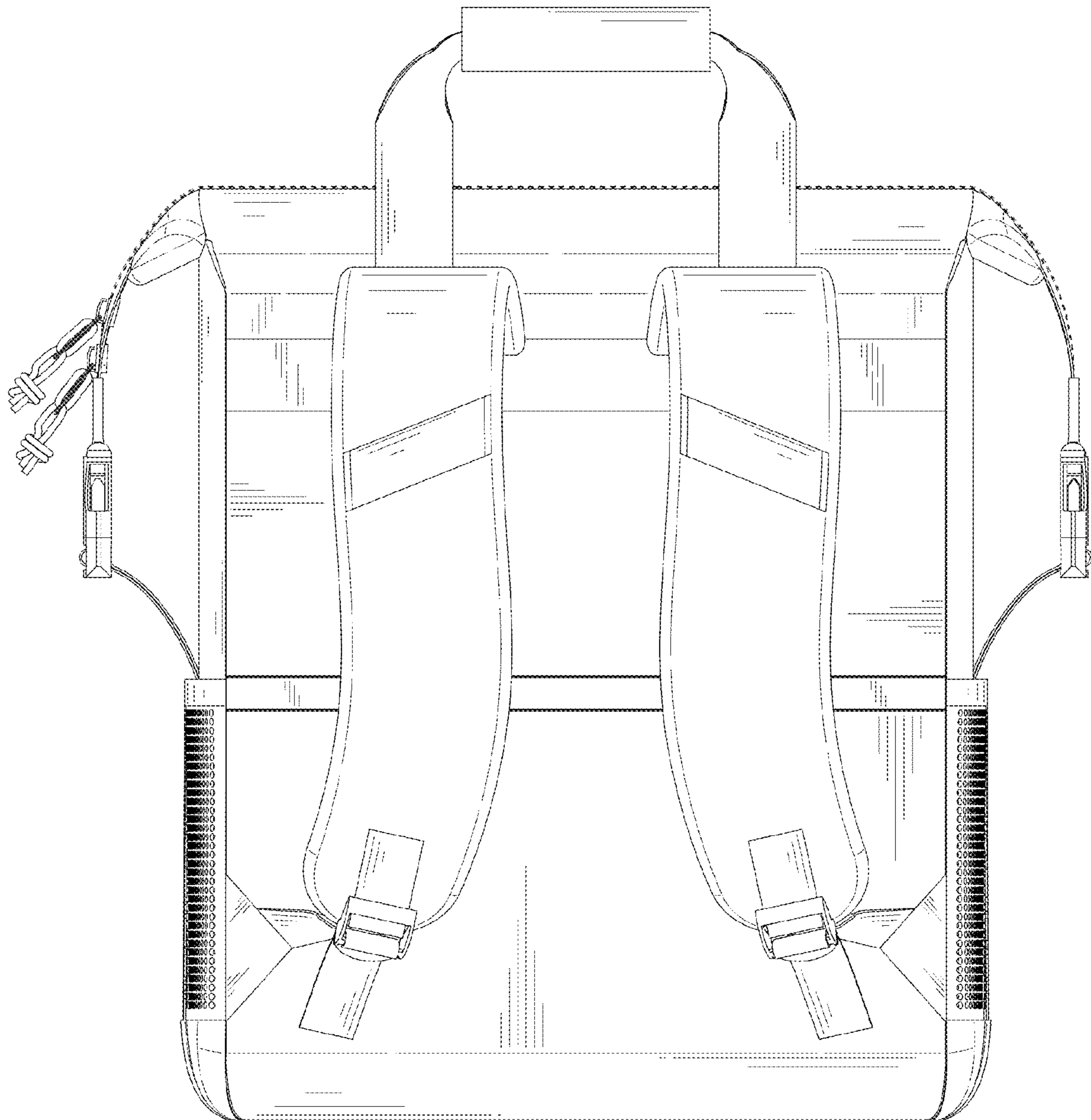


FIG. 4

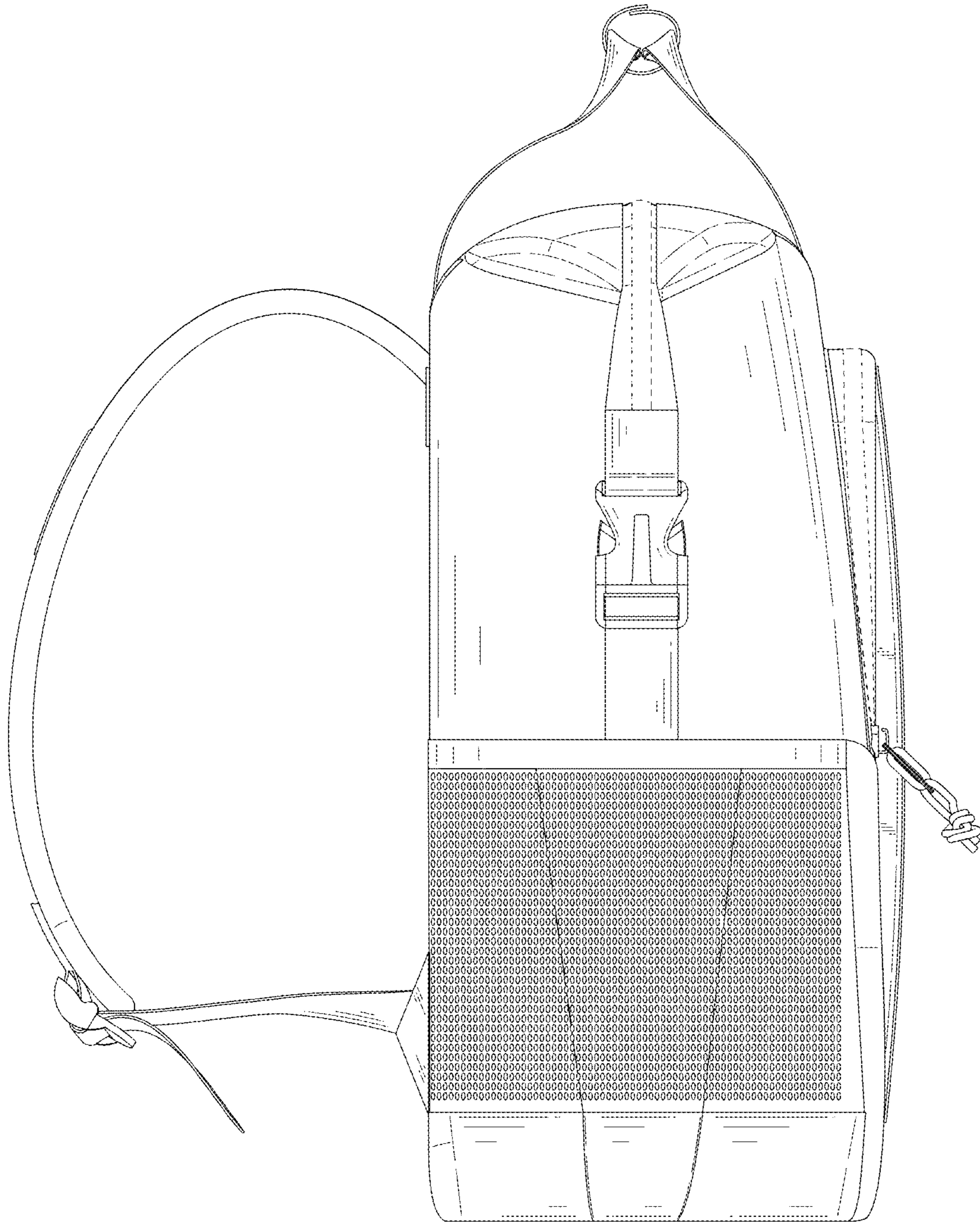


FIG. 5

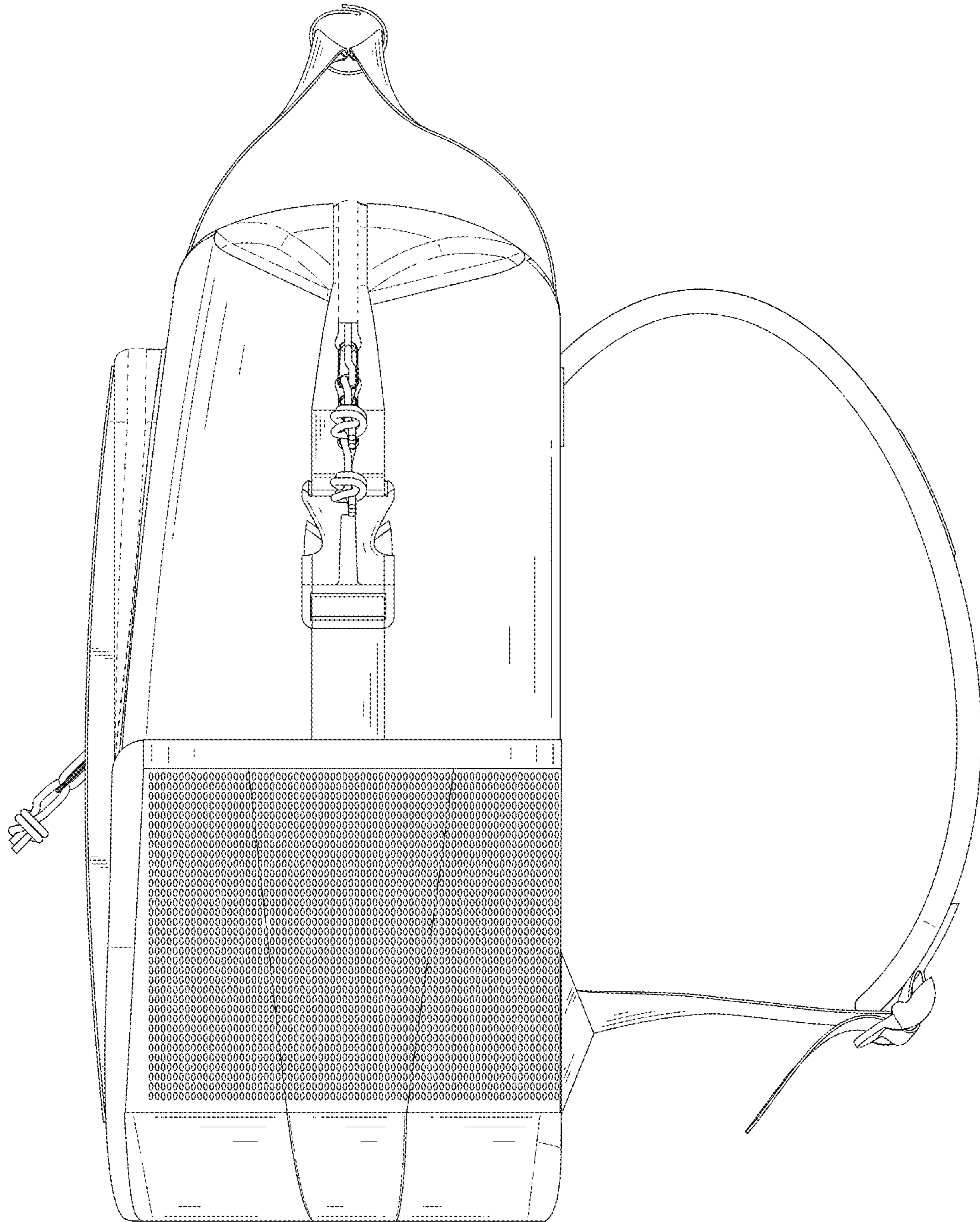


FIG. 6



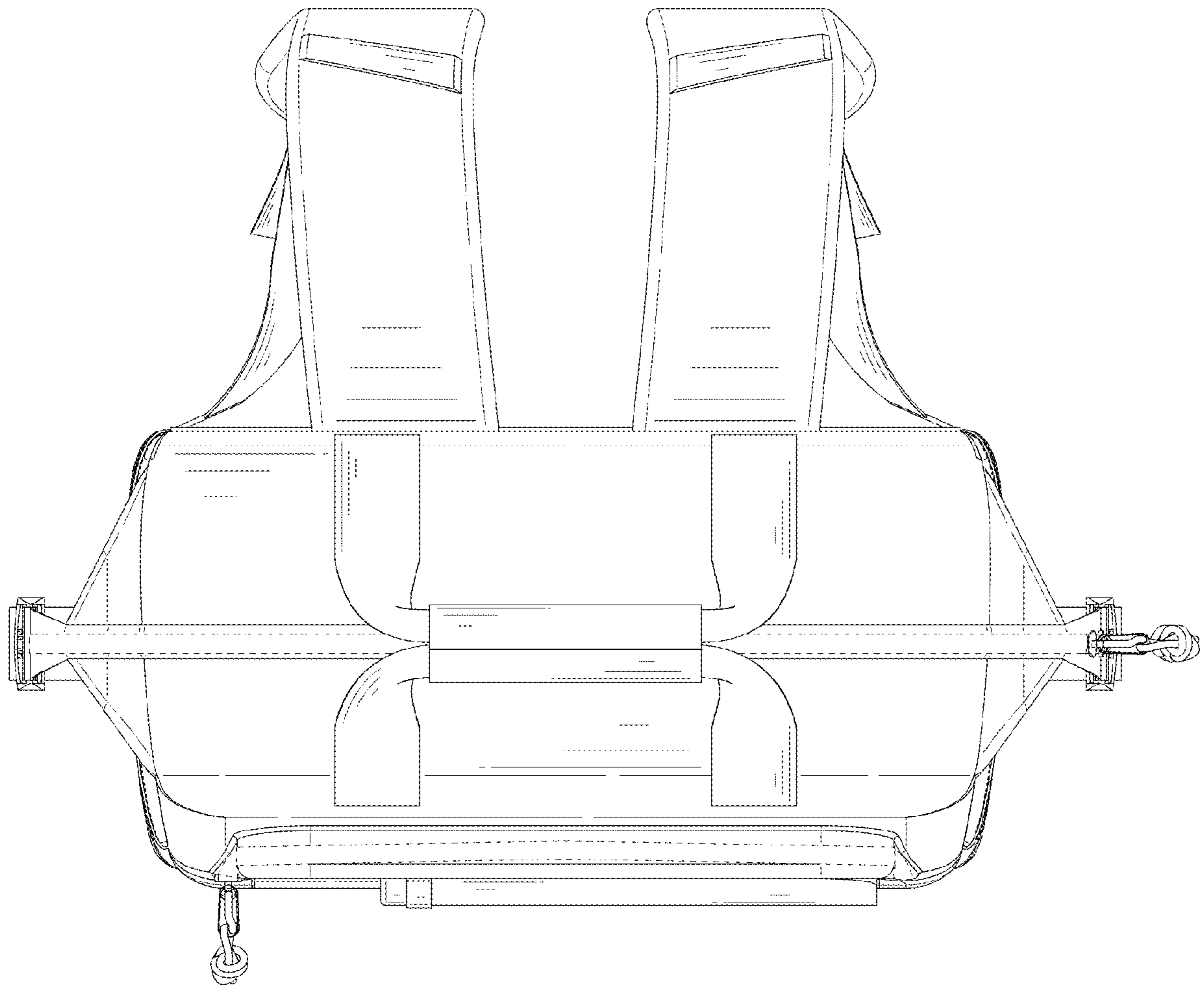


FIG. 7

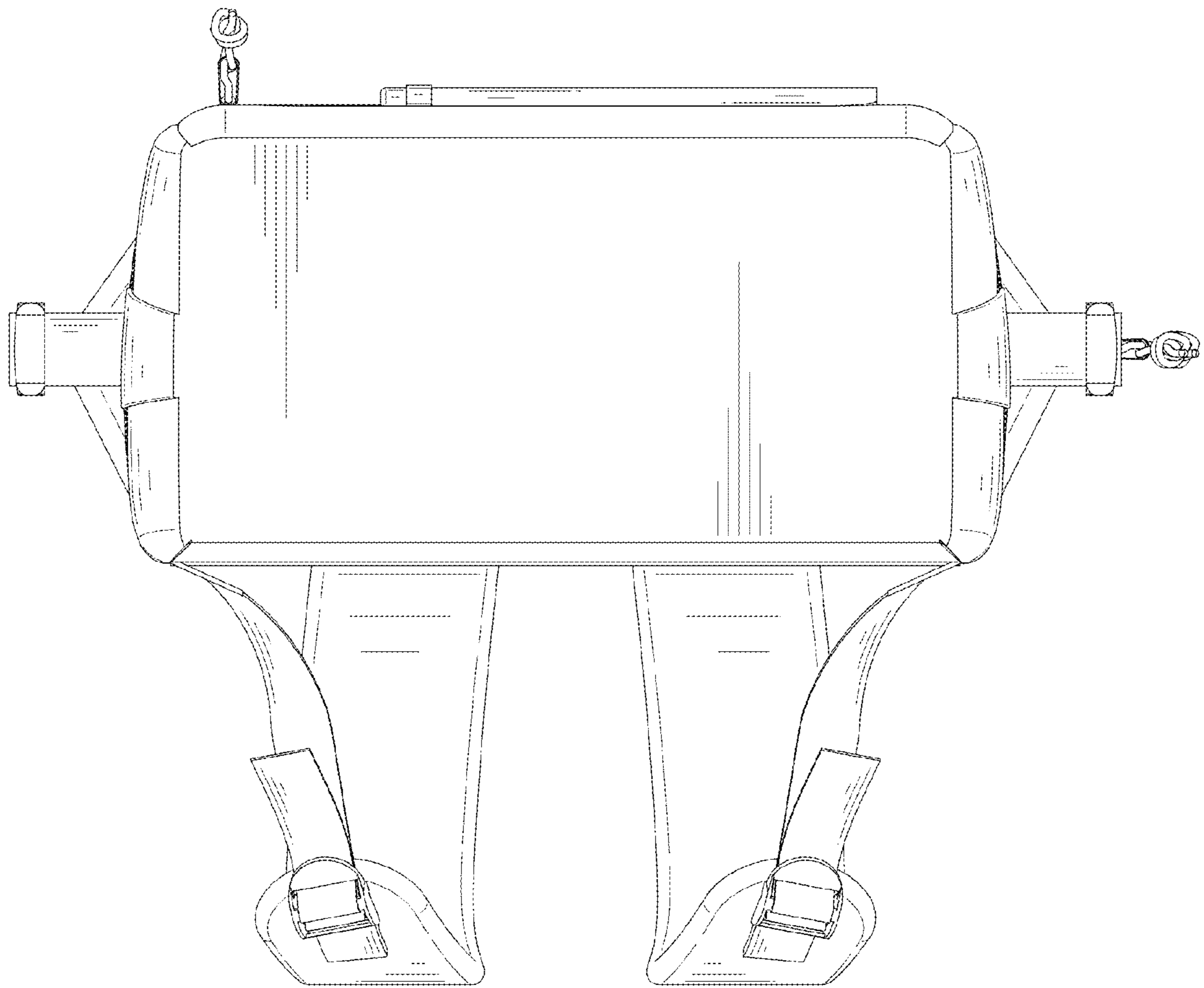


FIG. 8

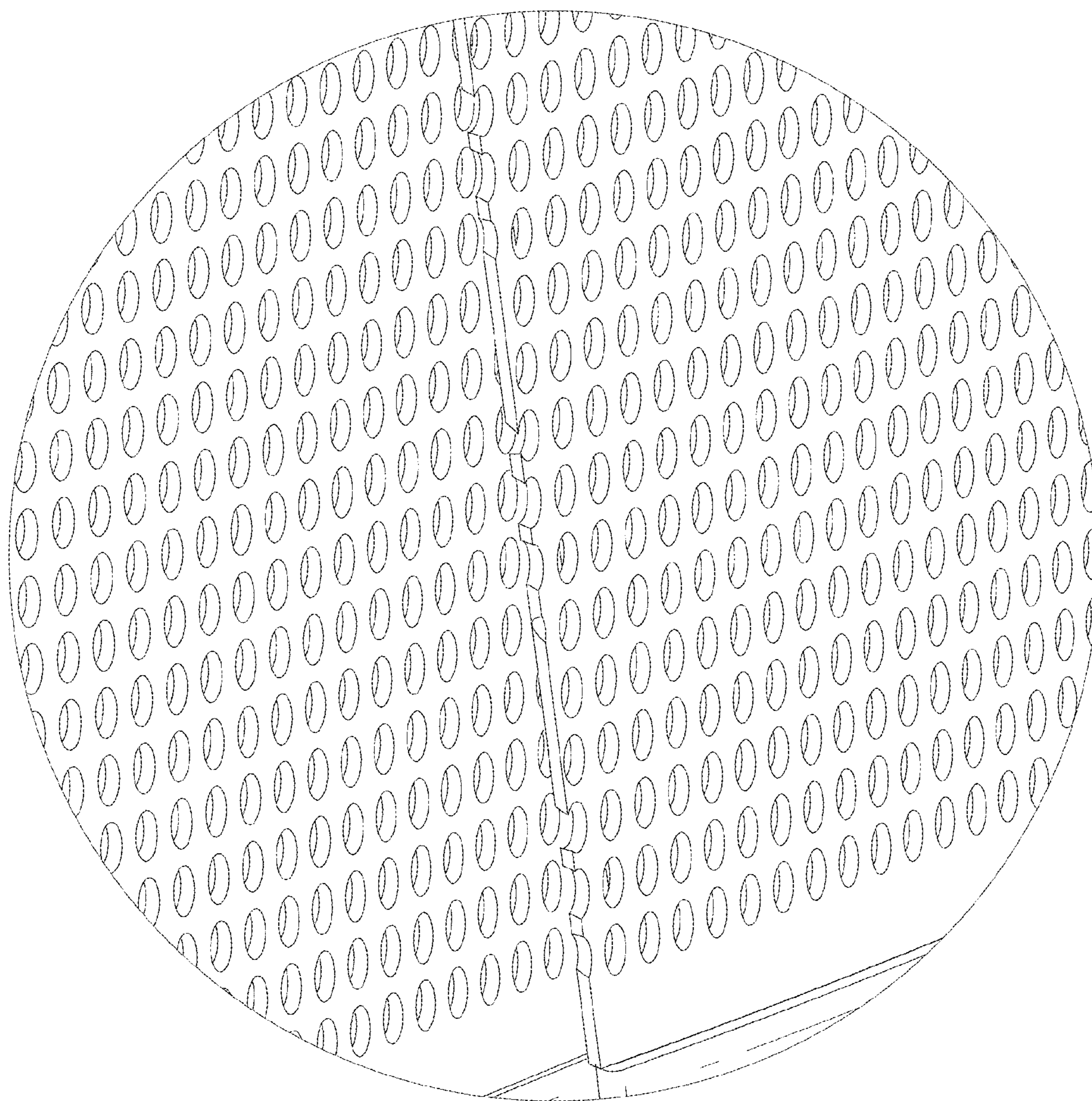


FIG. 9