



US00D960558S

(12) **United States Design Patent** (10) **Patent No.:** **US D960,558 S**
Larson (45) **Date of Patent:** **** Aug. 16, 2022**

(54) **PIPE CLEANING KEYCHAIN**
(71) Applicant: **Richard Larson**, Long Beach, CA (US)
(72) Inventor: **Richard Larson**, Long Beach, CA (US)
(**) Term: **15 Years**
(21) Appl. No.: **29/768,550**
(22) Filed: **Jan. 29, 2021**
(51) **LOC (13) Cl.** **03-01**
(52) **U.S. Cl.**
USPC **D3/210; D27/196**
(58) **Field of Classification Search**
USPC D3/207-212; D8/343, 346-348;
D27/180-183, 186-188, 192-193, 103,
D27/137-138, 196
CPC A24F 13/00; A24F 13/02; A24F 13/12;
A24F 13/30; A24F 13/16; A24F 13/22;
A24F 19/00; A24F 19/14
See application file for complete search history.

D411,036 S * 6/1999 Barnes D3/208
D613,905 S * 4/2010 Sheffield D27/192
D897,031 S * 9/2020 Fischer D27/144

FOREIGN PATENT DOCUMENTS

CA 6597 * 3/1925
CN 305273491 * 7/2019
CN 306682715 * 7/2021

* cited by examiner

Primary Examiner — Michelle E. Wilson
Assistant Examiner — Caitlin A Laverty
(74) *Attorney, Agent, or Firm* — KW Law, LLP

(57) **CLAIM**

The ornamental design of a pipe cleaning keychain, substantially as shown and described.

DESCRIPTION

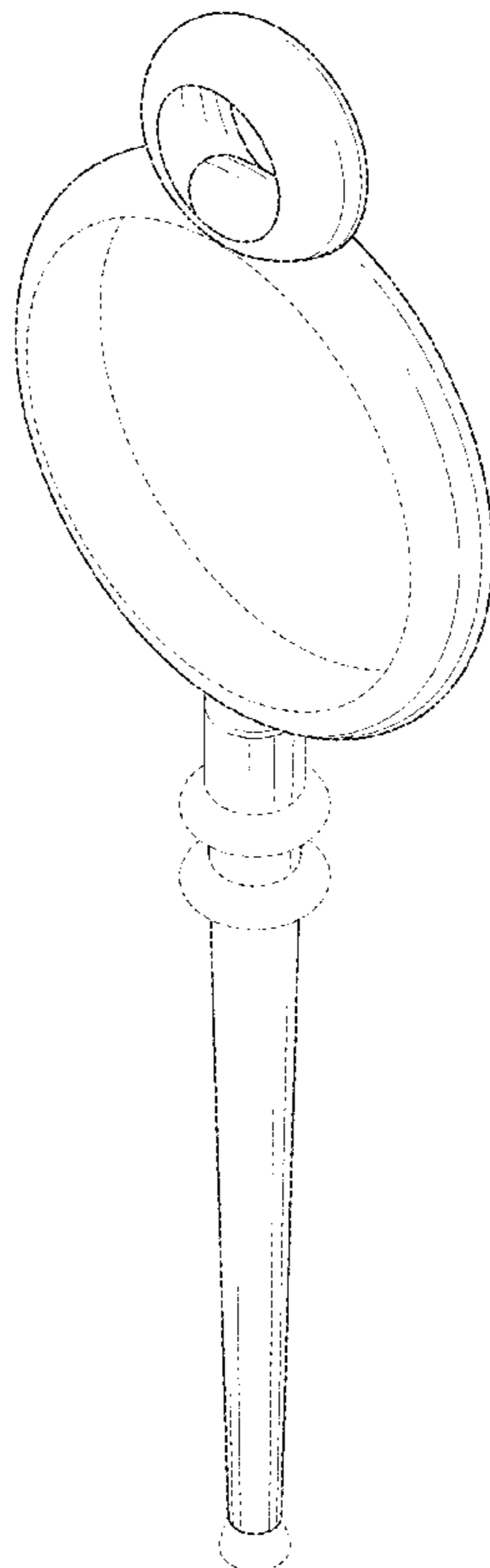
FIG. 1 is a top-front perspective view of a pipe cleaning keychain in accordance with the present design; FIG. 2 is a front elevation view thereof; FIG. 3 is a back elevation view thereof; FIG. 4 is a right-side elevation view thereof; FIG. 5 is a left-side elevation view thereof; FIG. 6 is a top view thereof; and, FIG. 7 is a bottom view thereof.

The broken lines in the Figures show portions of the pipe cleaning keychain which form no part of the claimed design.

1 Claim, 3 Drawing Sheets

(56) **References Cited**
U.S. PATENT DOCUMENTS

4,873,999 A * 10/1989 Steinert A24F 13/22
131/258
5,457,976 A * 10/1995 Stillwagon A44B 15/002
70/456 R
D408,581 S * 4/1999 Barnes D27/163
D408,582 S * 4/1999 Varn D27/183



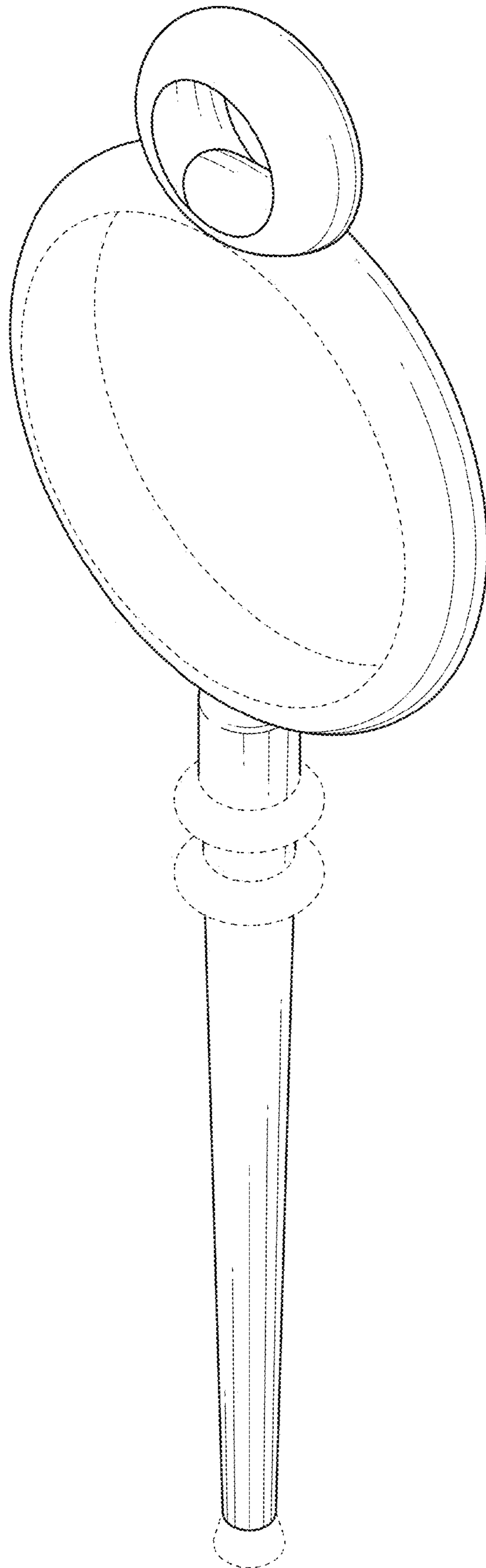


FIG. 1

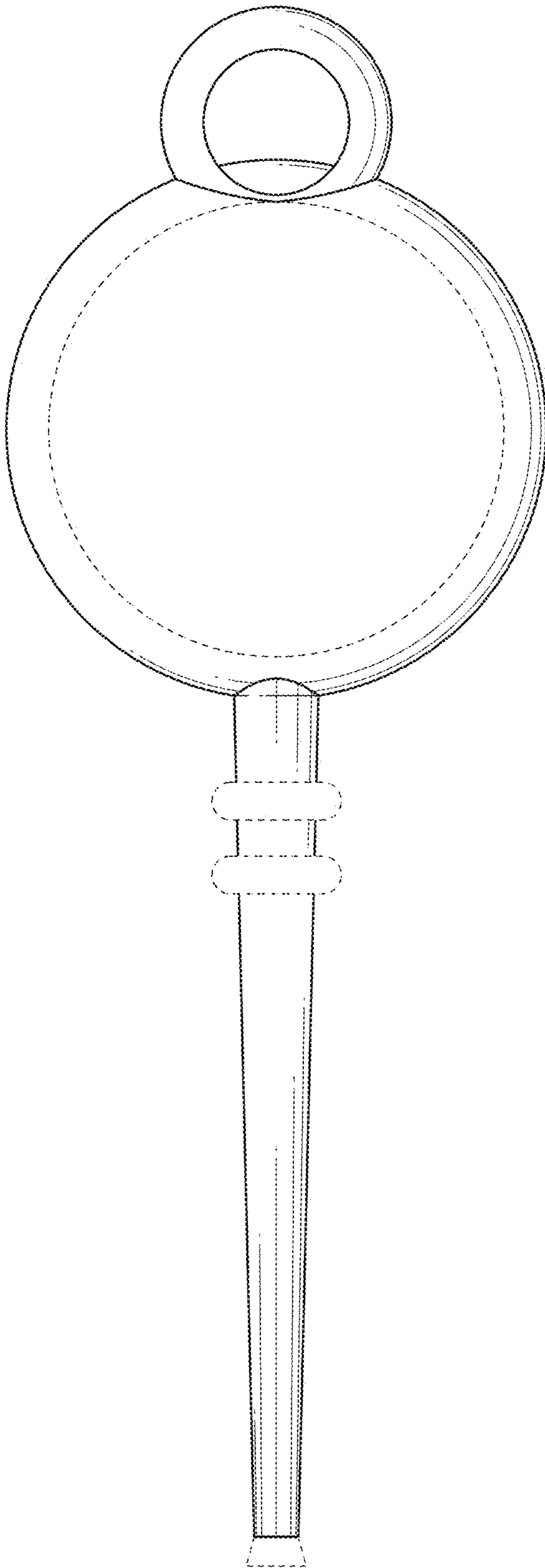


FIG. 2

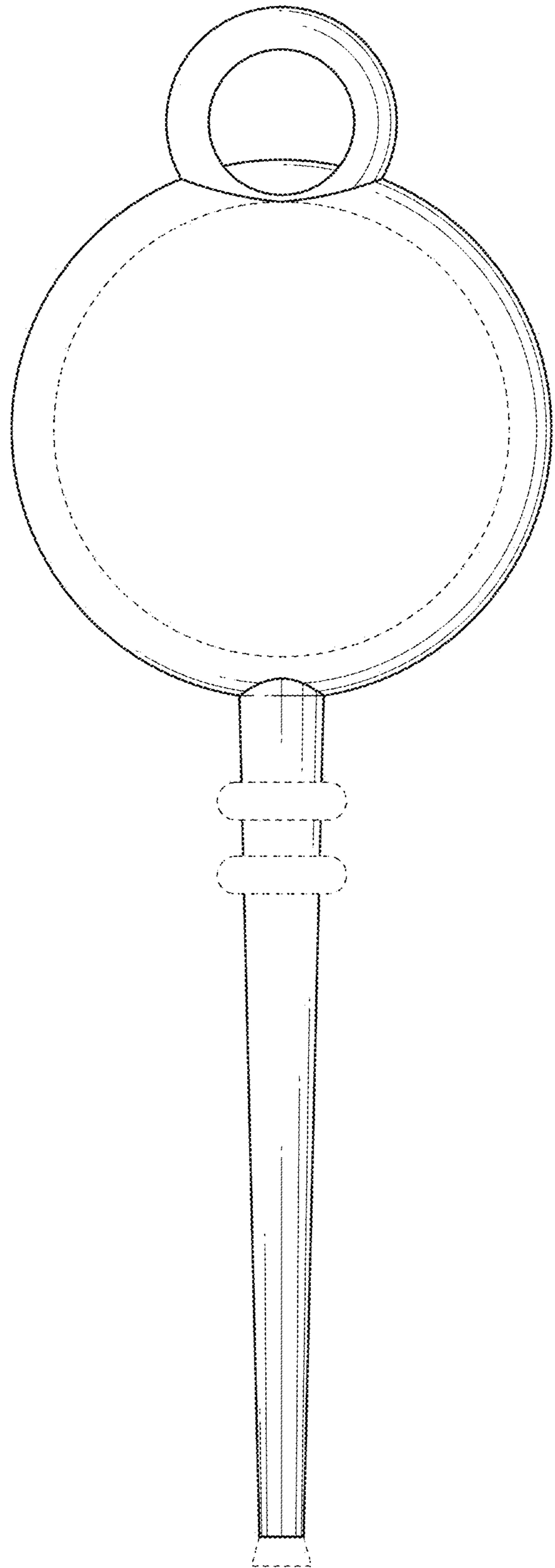


FIG. 3

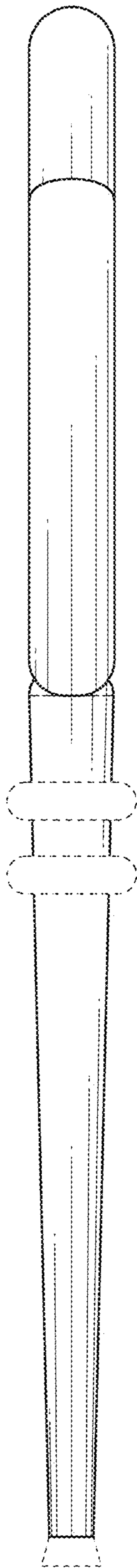


FIG. 4

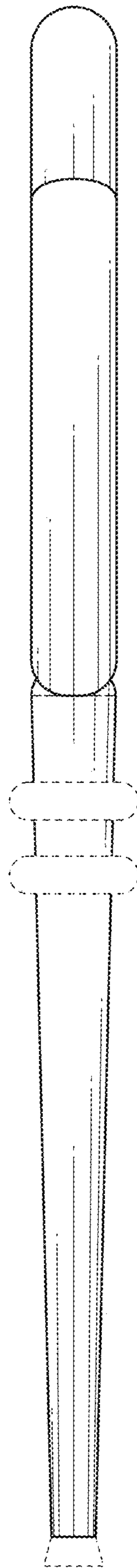


FIG. 5

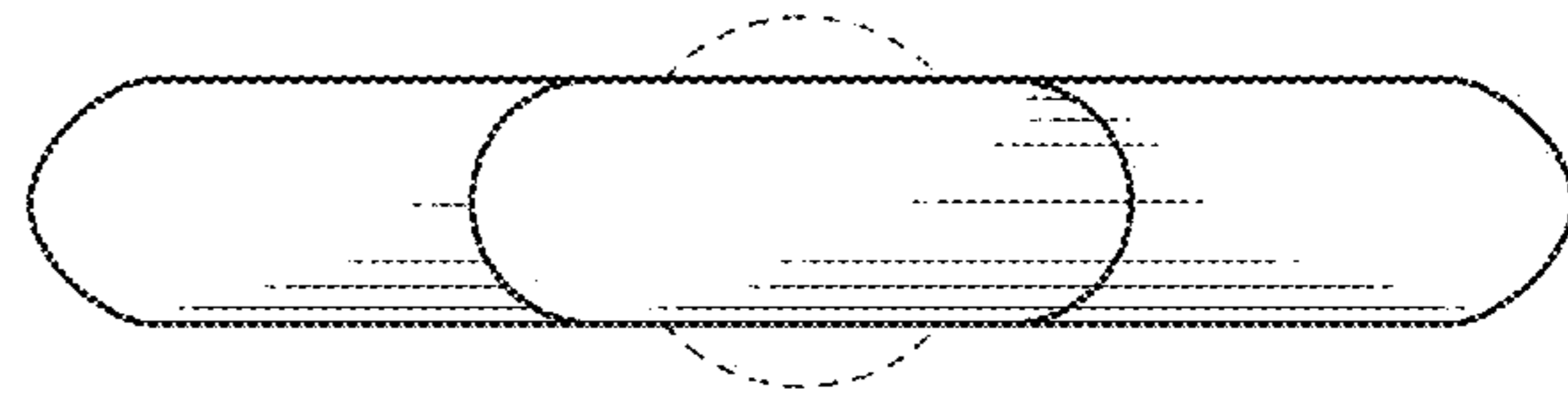


FIG. 6

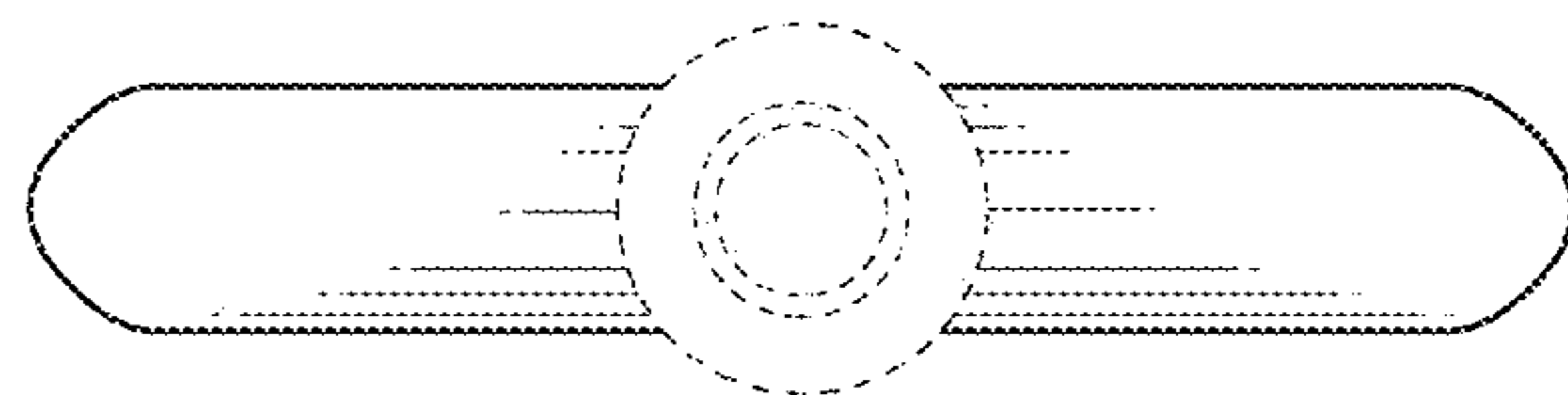


FIG. 7