



US00D960539S

(12) **United States Design Patent**  
Su

(10) **Patent No.:** **US D960,539 S**

(45) **Date of Patent:** **\*\* Aug. 16, 2022**

(54) **SPORT RECOVERY SANDAL**

(71) Applicant: **Xiamen Haitian Cheng Network Technology Co., Ltd., Xiamen (CN)**

(72) Inventor: **Peiyu Su, Xiamen (CN)**

(\*\*) Term: **15 Years**

(21) Appl. No.: **29/664,199**

(22) Filed: **Sep. 23, 2018**

(51) **LOC (13) Cl.** ..... **02-04**

(52) **U.S. Cl.**  
USPC ..... **D2/917; D2/953**

(58) **Field of Classification Search**  
USPC ..... D2/896-900, 903, 916-925, 932, 946,  
D2/953, 969  
CPC ..... A43B 13/12; A43B 3/102; A43B 3/126;  
A43B 3/10  
See application file for complete search history.

(56) **References Cited**

**U.S. PATENT DOCUMENTS**

D575,485 S \* 8/2008 Liow ..... D2/917  
D592,386 S \* 5/2009 Baker ..... D2/917  
D600,431 S \* 9/2009 Little ..... D2/917

D656,716 S \* 4/2012 Eades ..... D2/917  
D659,956 S \* 5/2012 Huynh ..... D2/917  
D661,069 S \* 6/2012 Panariello, Jr. .... D2/917  
D663,511 S \* 7/2012 Martinez ..... D2/917  
D663,512 S \* 7/2012 Van Zyll De Jong ..... D2/917  
D857,353 S \* 8/2019 Granger ..... D2/951  
2007/0245592 A1 \* 10/2007 Yamaguchi ..... A43B 3/108  
36/11.5  
2008/0110060 A1 \* 5/2008 Ritter ..... A43B 3/0031  
36/11.5

\* cited by examiner

*Primary Examiner* — Rashida C. Walshon

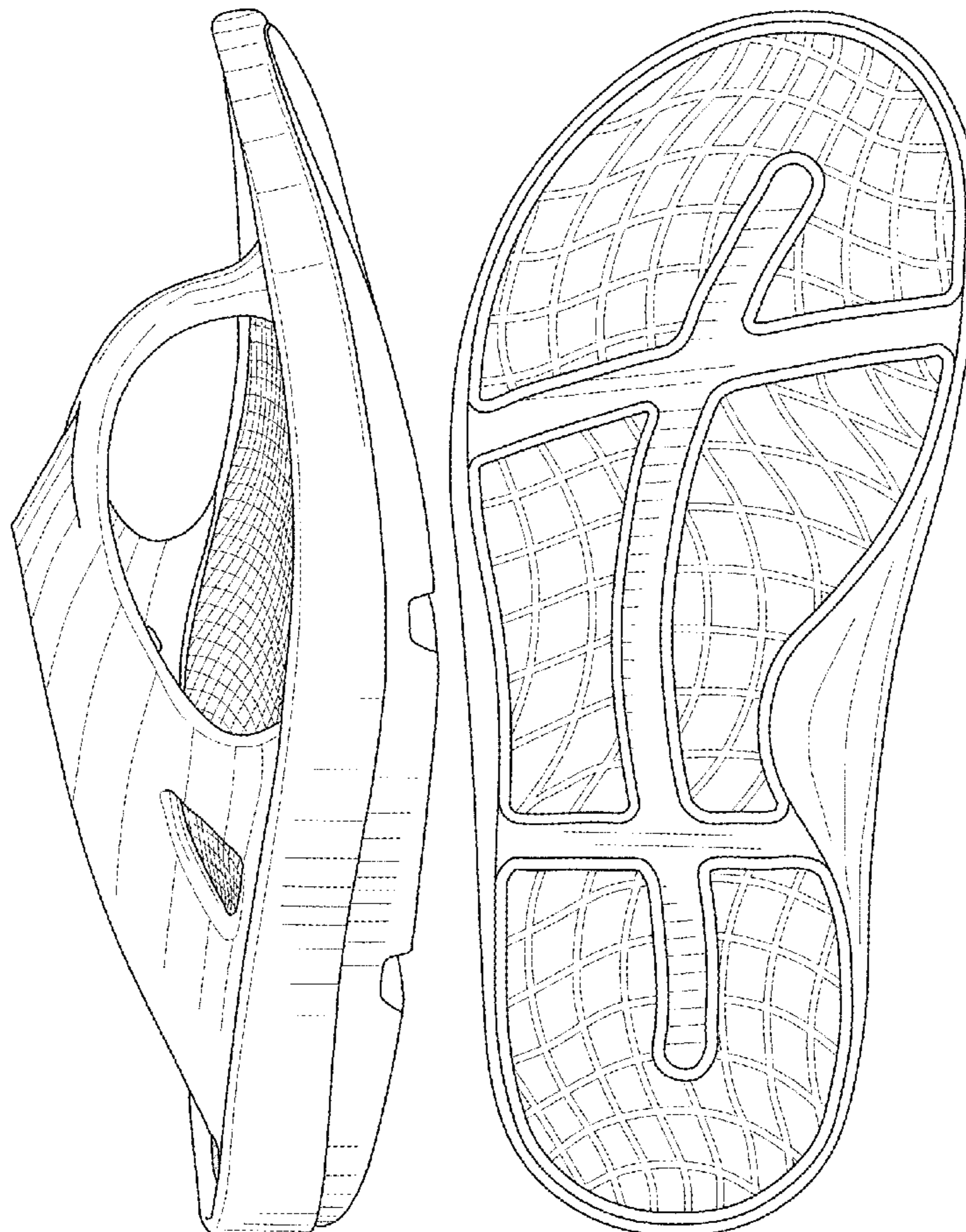
(57) **CLAIM**

The ornamental design for a sport recovery sandal, as shown and described.

**DESCRIPTION**

FIG. 1 is a perspective view of a sport recovery sandal showing my new design;  
FIG. 2 is a front view thereof;  
FIG. 3 is a rear view thereof;  
FIG. 4 is a left side view thereof;  
FIG. 5 is a right side view thereof;  
FIG. 6 is a top plan view thereof; and,  
FIG. 7 is a bottom plan view thereof.

**1 Claim, 7 Drawing Sheets**



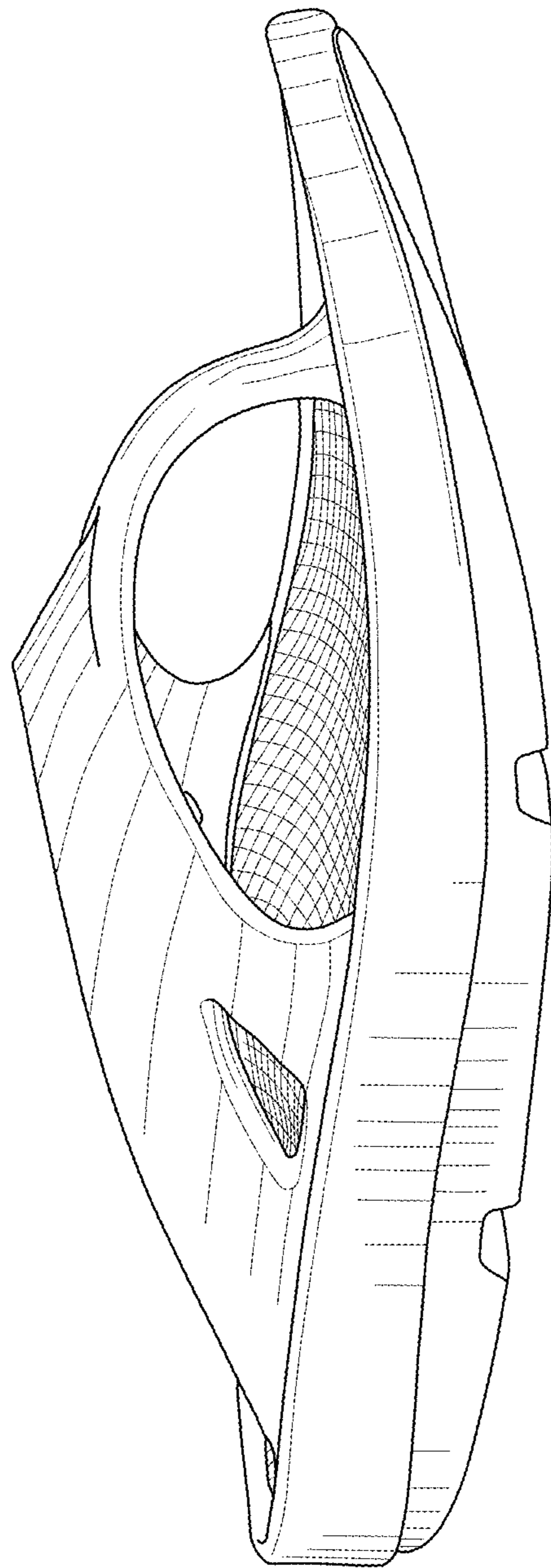


FIG. 1

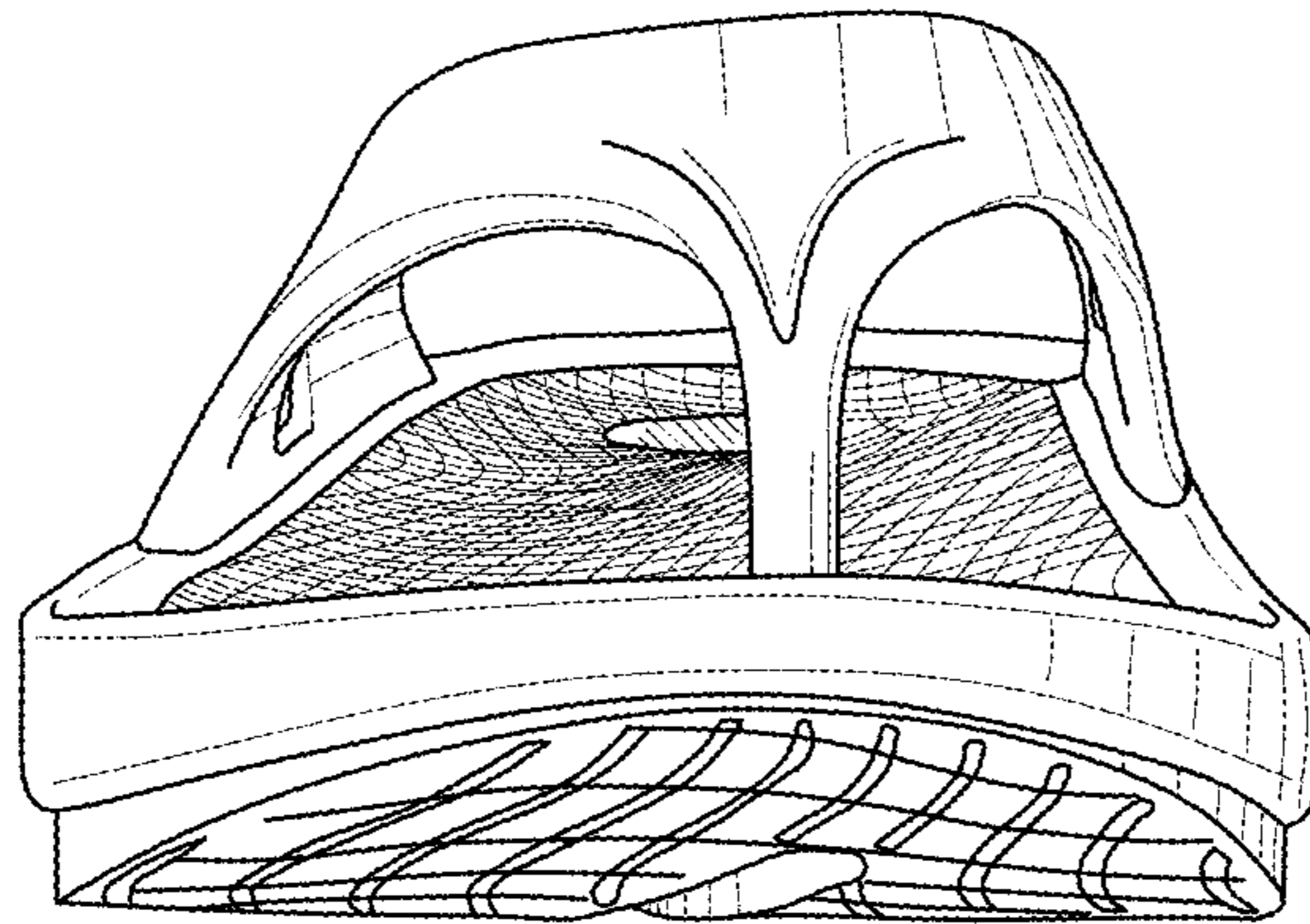


FIG. 2

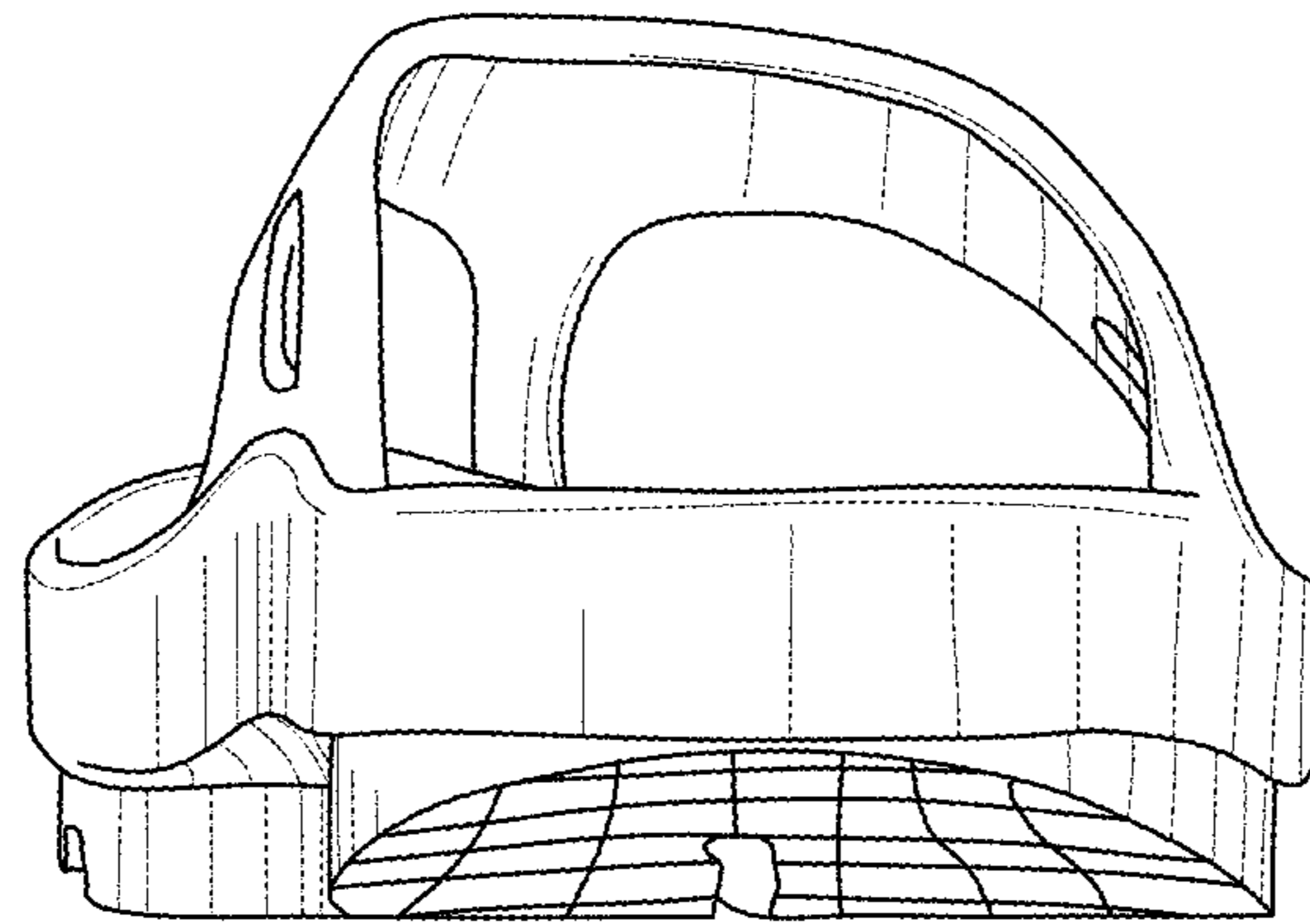


FIG. 3

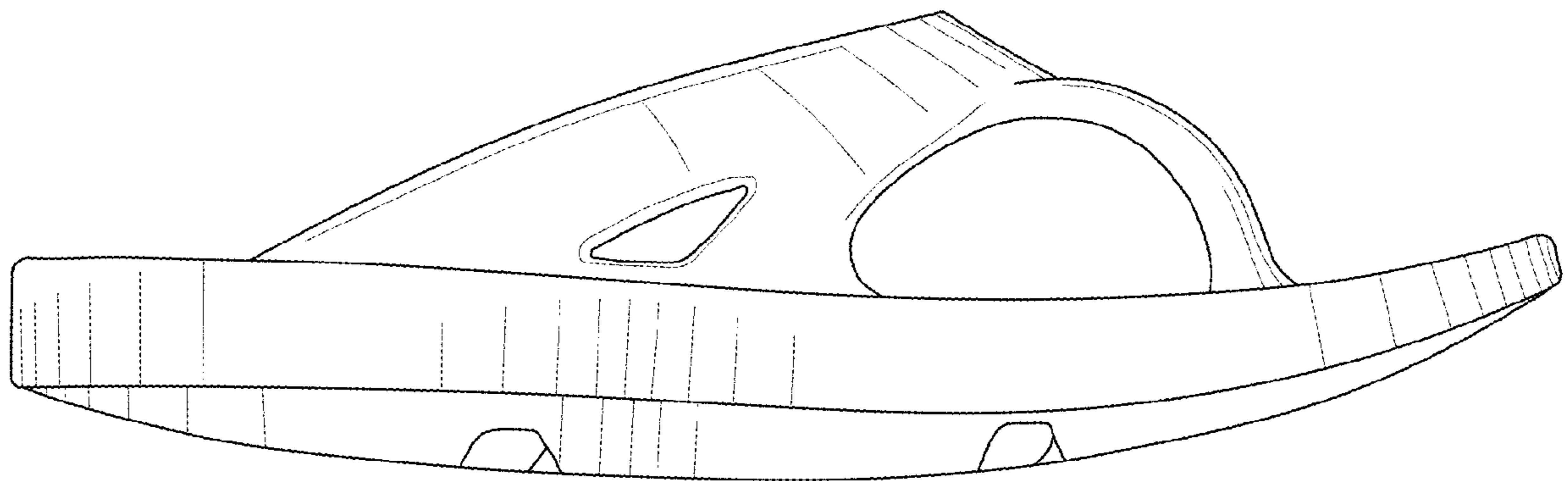


FIG. 4

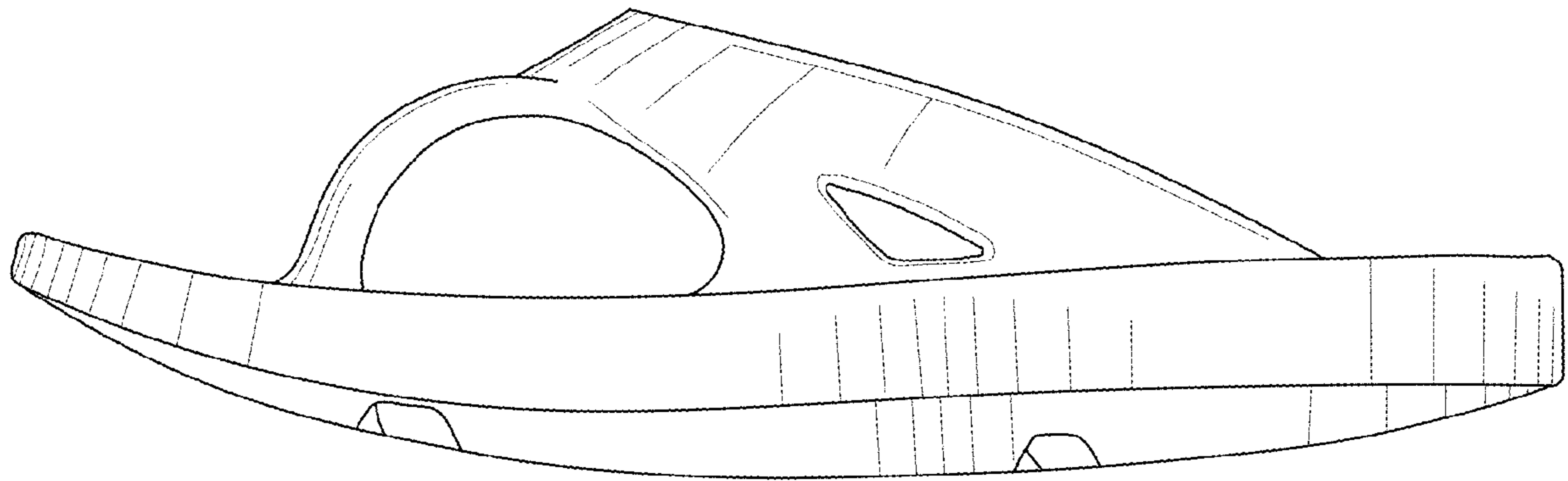


FIG. 5

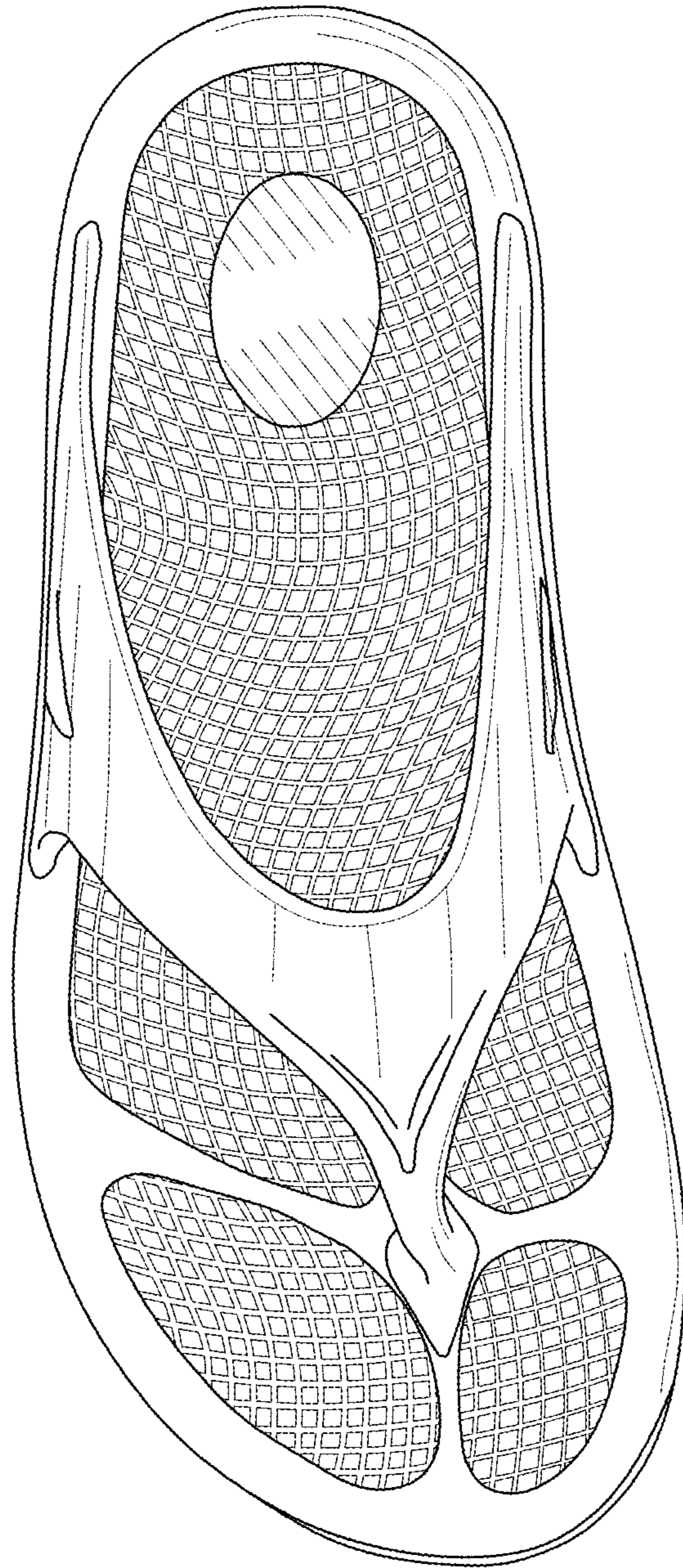


FIG. 6

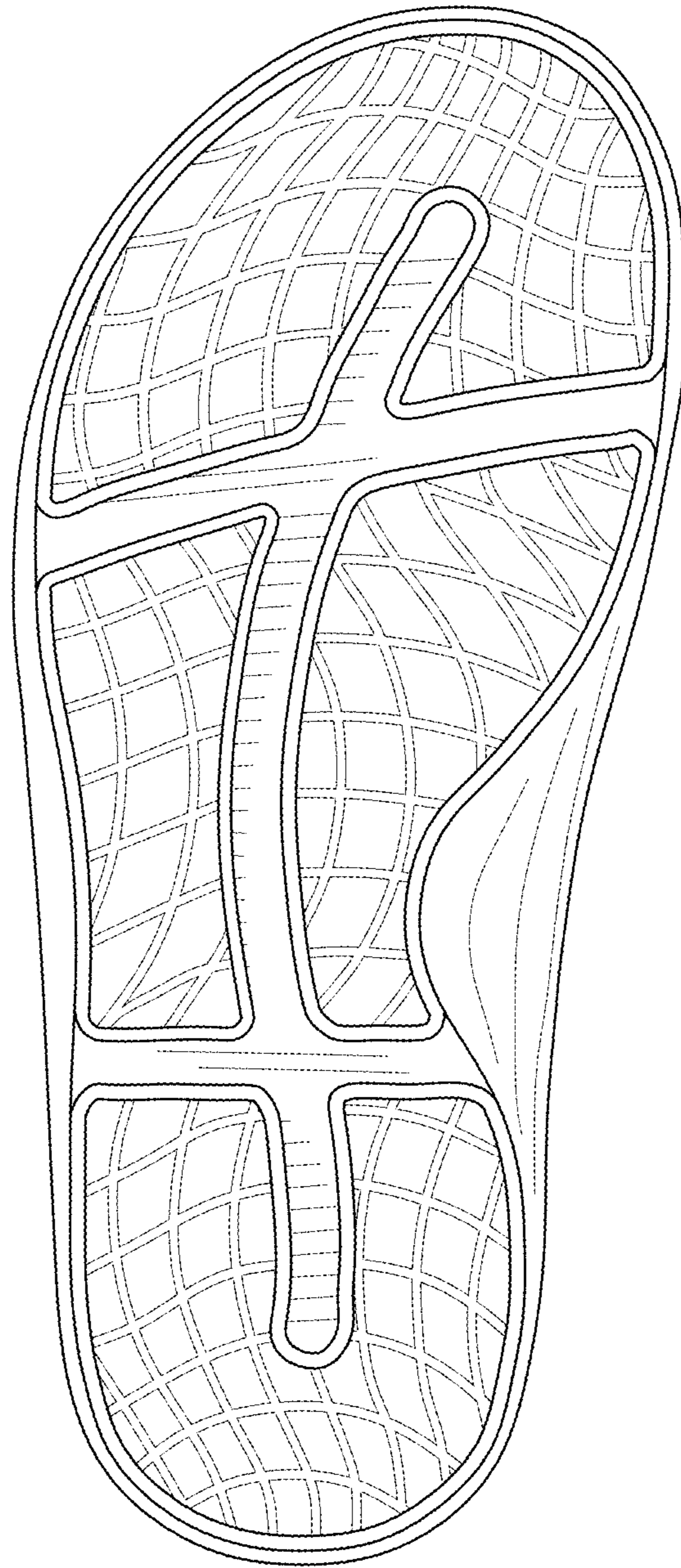


FIG. 7