



US00D960533S

(12) **United States Design Patent** (10) **Patent No.:** **US D960,533 S**
Thompson et al. (45) **Date of Patent:** **** Aug. 16, 2022**

- (54) **APRON CONVERTIBLE TO BAG**
- (71) Applicant: **MKCUK LTD**, Stockport (GB)
- (72) Inventors: **Alexander Luke Thompson**, Stockport (GB); **James Michael Molloy**, Stockport (GB)
- (73) Assignee: **MKCUK LTD**, Stockport (GB)
- (**) Term: **15 Years**
- (21) Appl. No.: **29/746,856**
- (22) Filed: **Aug. 18, 2020**

(30) **Foreign Application Priority Data**

Jun. 2, 2020 (GB) 6091118

- (51) **LOC (13) Cl.** **02-02**
- (52) **U.S. Cl.**
USPC **D2/864**
- (58) **Field of Classification Search**
USPC D2/864, 862, 861, 863
CPC A41D 13/00; A41D 13/0012
See application file for complete search history.

(56) **References Cited**

U.S. PATENT DOCUMENTS

- D133,954 S * 9/1942 Siegle D2/864
- D190,159 S * 4/1961 Goldstein D2/864
- D214,257 S * 5/1969 Glass et al. D2/863
- D257,596 S * 12/1980 Rosenbloom, III D2/864
- D258,020 S * 1/1981 Bryce D2/864
- D259,673 S * 6/1981 Ruszczynski D2/864
- D281,638 S * 12/1985 Thomas D2/864
- D291,640 S * 9/1987 Russo D2/743

(Continued)

OTHER PUBLICATIONS

Under NY Sky Barber Apron—Leather Straps, Pockets, Reinforcements posted to amazon.com. Available date: May 2, 2019 [site

visited Jan. 5, 2022] Available: <https://www.amazon.ca/Under-NY-Sky-Barber-Apron/dp/B07PVPSVFB/ref=sr_1_9?keywords=Barber%2BApron&qid=1640889708&sr=8-9&th=1> (Year: 2019).*

(Continued)

Primary Examiner — Kevin K Rudzinski
(74) *Attorney, Agent, or Firm* — Trego, Hines & Ladenheim PLLC; Jonathan M. Hines

(57) **CLAIM**

The ornamental design for an apron convertible to bag, as shown and described.

DESCRIPTION

FIG. 1 is a front perspective view of an apron convertible to bag, in a closed configuration, according to the present invention;

FIG. 2 is a rear perspective view of the apron convertible to bag of FIG. 1 in the closed configuration;

FIG. 3 is a front elevational view of the apron convertible to bag of FIG. 1 in a closed configuration;

FIG. 4 is a rear perspective view of the apron convertible to bag, in an open configuration;

FIG. 5 is a front perspective view of the apron convertible to bag, in the open configuration;

FIG. 6 is a rear elevational view of the apron convertible to bag, in the open configuration;

FIG. 7 is a front elevational view of the apron convertible to bag, in the open configuration;

FIG. 8 is a left side elevational view of the apron convertible to bag, in the open configuration;

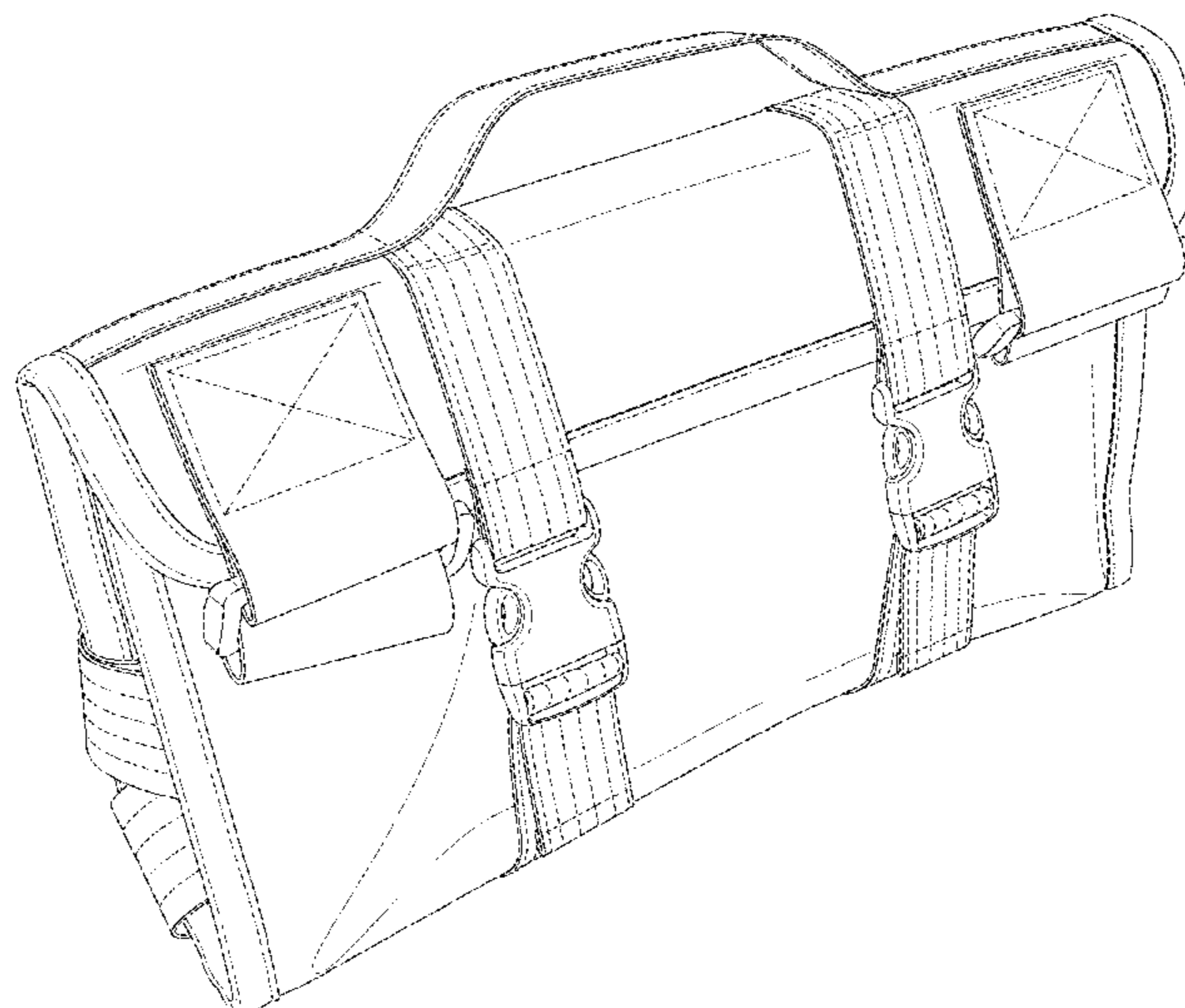
FIG. 9 is a right side elevational view of the apron convertible to bag, in the open configuration;

FIG. 10 is a top plan view of the apron convertible to bag, in the open configuration; and,

FIG. 11 is a bottom plan view of the apron convertible to bag, in the open configuration.

The dashed lines in the Figures indicate stitching and form part of the claimed design.

1 Claim, 11 Drawing Sheets



(56)

References Cited

U.S. PATENT DOCUMENTS

D299,680 S * 2/1989 Ochsner D2/864
 D352,260 S * 11/1994 Adamo D12/133
 5,361,412 A * 11/1994 Perry A41D 13/0012
 2/102
 D364,726 S * 12/1995 Kose D2/860
 5,566,391 A * 10/1996 Williamson A41D 13/0012
 2/48
 D381,190 S * 7/1997 Deon D2/861
 D417,062 S * 11/1999 Williams D2/860
 6,473,905 B1 * 11/2002 Katz A41D 13/04
 2/215
 D470,295 S * 2/2003 Chackel D2/860
 D522,719 S * 6/2006 Sanders D2/857
 D617,534 S * 6/2010 Vossoughi D2/864
 D695,494 S * 12/2013 White D2/864
 D779,195 S * 2/2017 Kinskey D3/228
 D842,590 S * 3/2019 Gillam D2/864
 D871,724 S * 1/2020 Stamps D2/861
 D910,981 S * 2/2021 Hathorn D2/861

OTHER PUBLICATIONS

Shany Urban Gal Collection Professional Makeup Apron posted to walmart.com. Available date: Dec. 1, 2016 [site visited Jan. 5, 2022] Available: <<https://www.walmart.com/ip/SHANY-Urban-Gal-Collection-Professional-Makeup-Apron-Makeup-Artist-Brush-belt-Cotton/48686937>> (Year: 2016).*

Professional Makeup Artist Cosmetic Canvas Waist Apron by MyGift Store, posted to amazon.com. Available date: Nov. 15, 2018 [site visited Jan. 5, 2022] Available: <<https://www.amazon.com/Professional-Hairdresser-Multiple-Cosmetic-Organizer/dp/B06XC4H6CL>> (Year: 2018).*

MSQ Makeup Brush Bag With Belt posted to amazon.com. Available date: Feb. 9, 2020 [site visited Apr. 13, 2022] Available: <https://www.amazon.com/MSQ-Foldable-Cosmetic-Organizer-Adjustable/dp/B07TVC93V6/ref=pd_lpo_3?pd_rd_i=B07TVC93V6&th=1> (Year: 2020).*

* cited by examiner

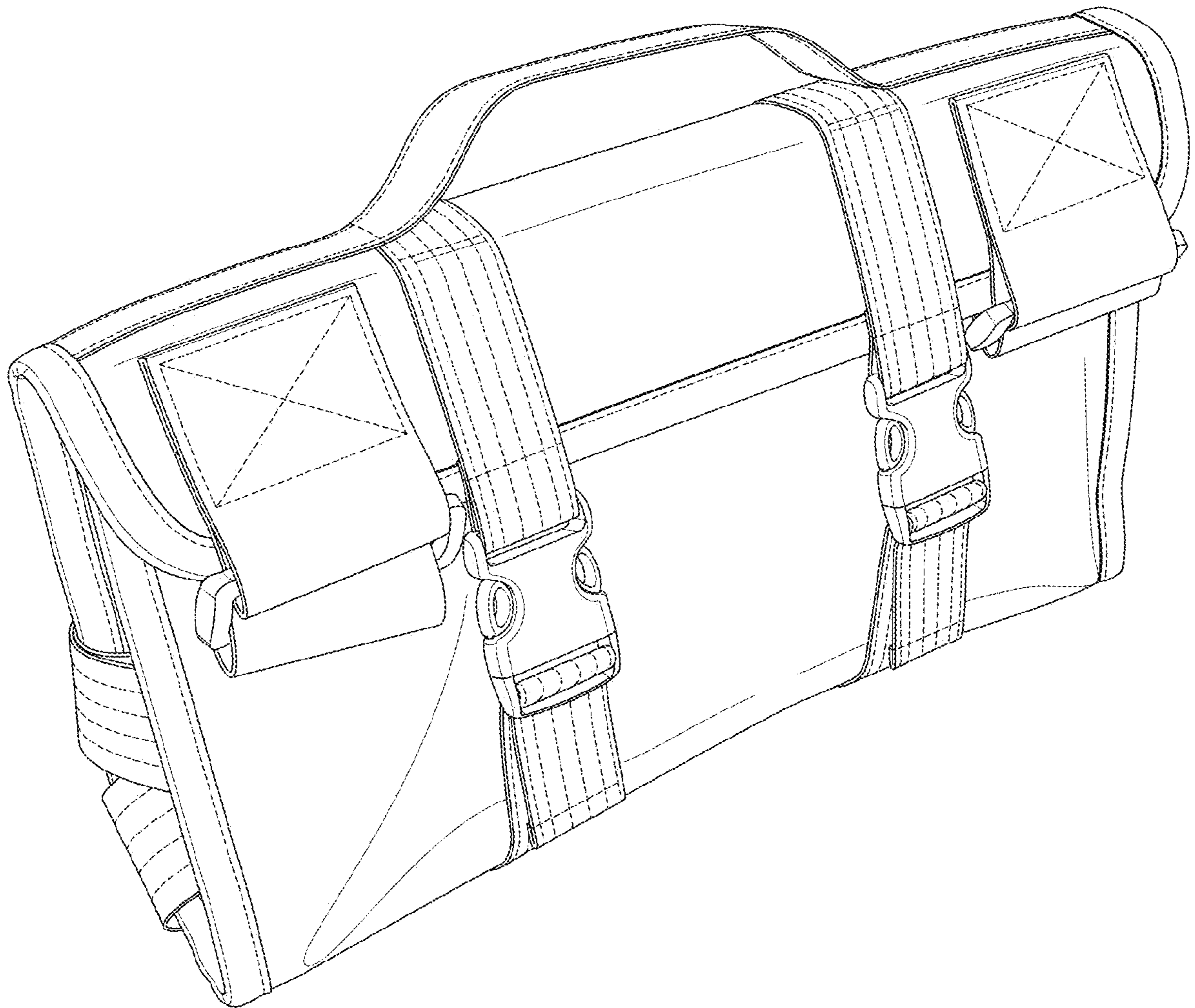


FIG. 1

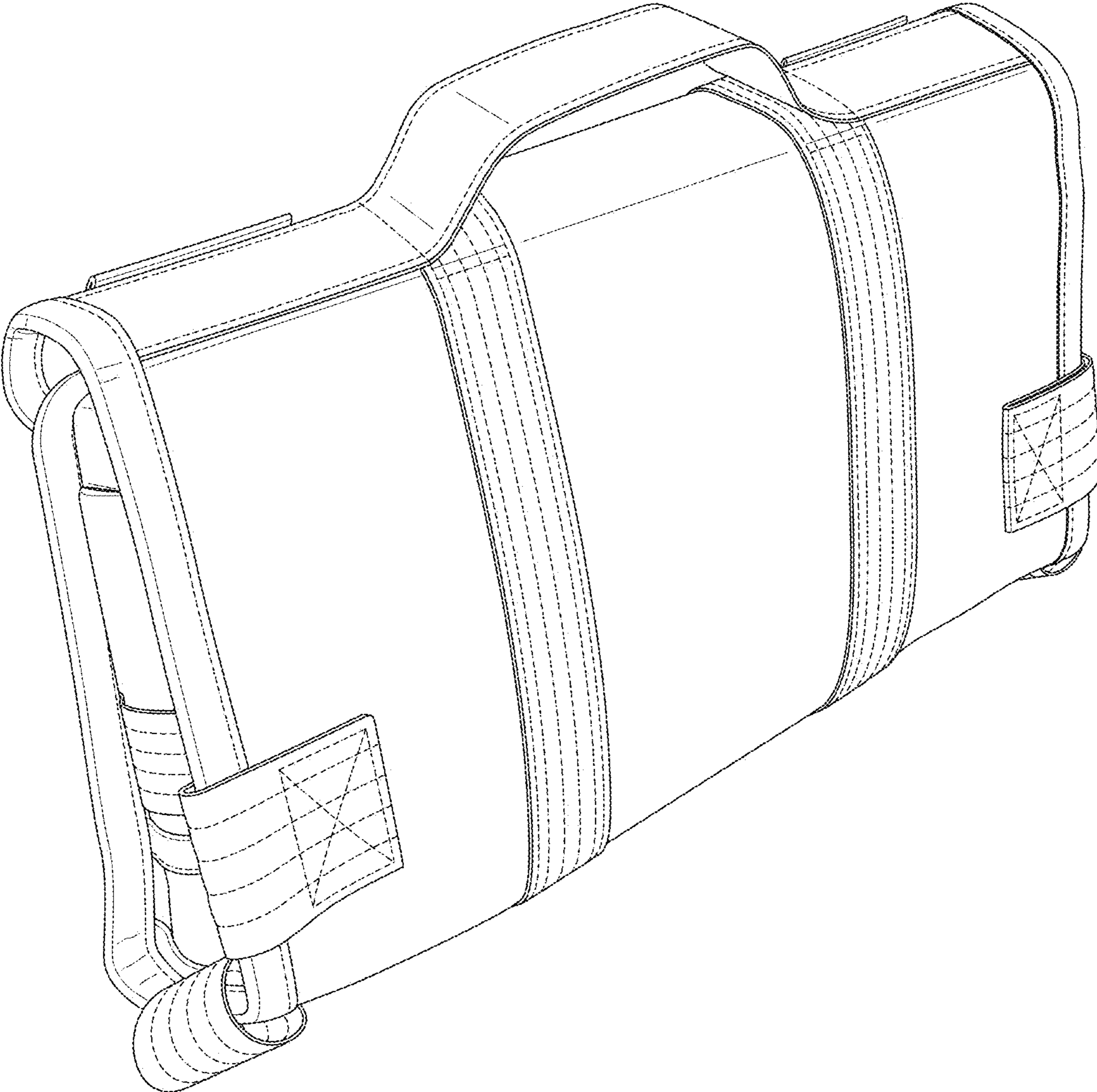


FIG. 2

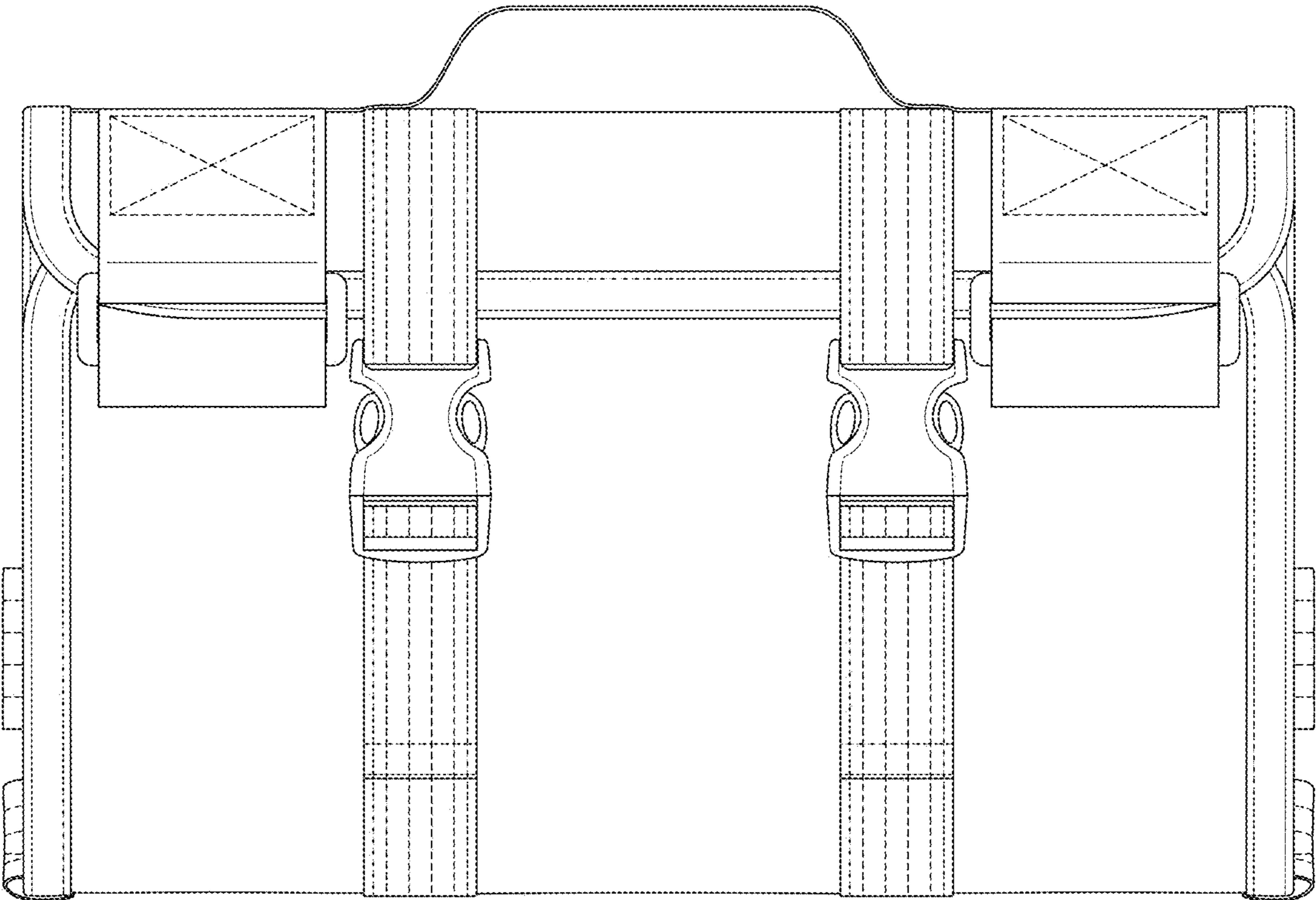


FIG. 3

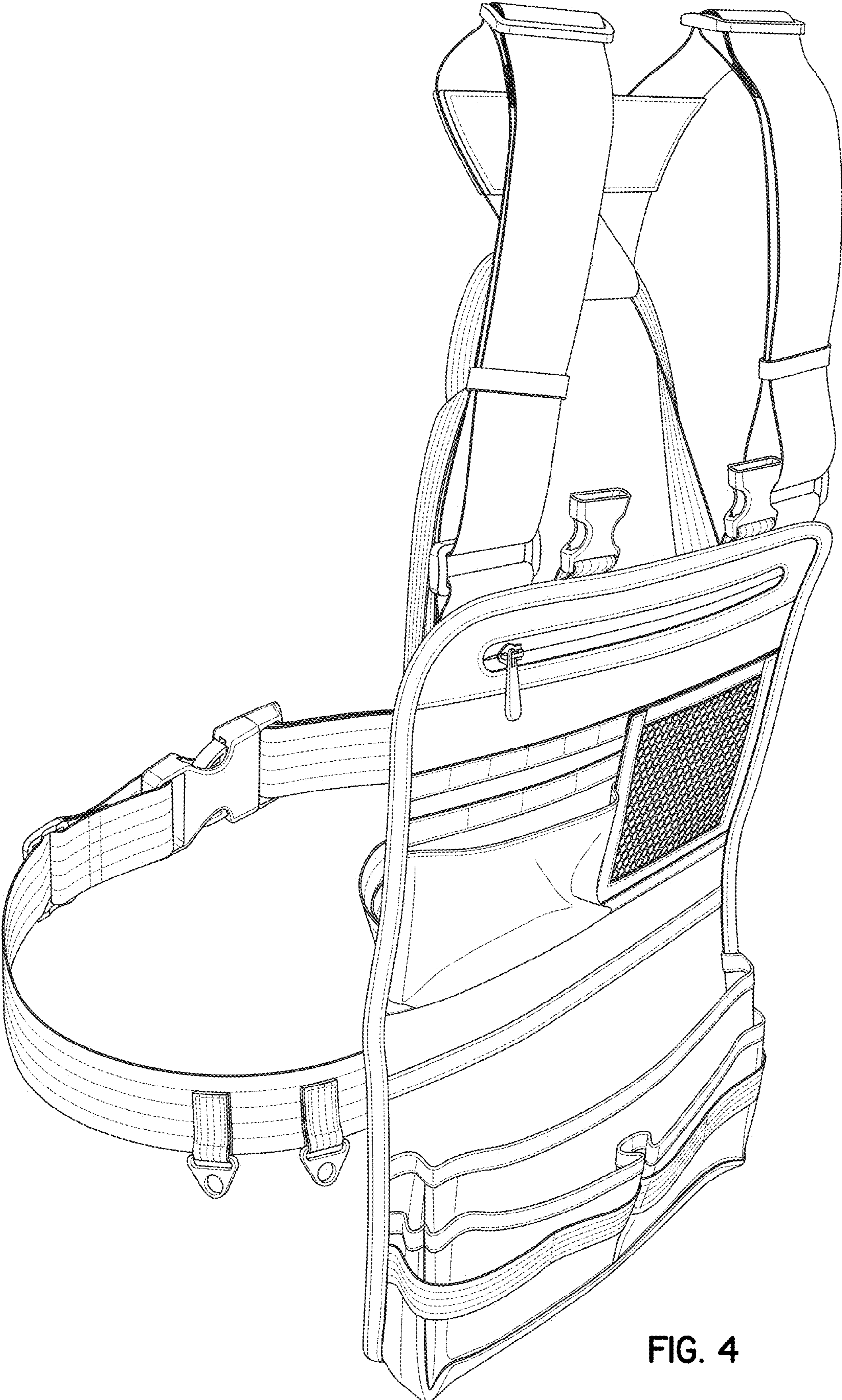


FIG. 4

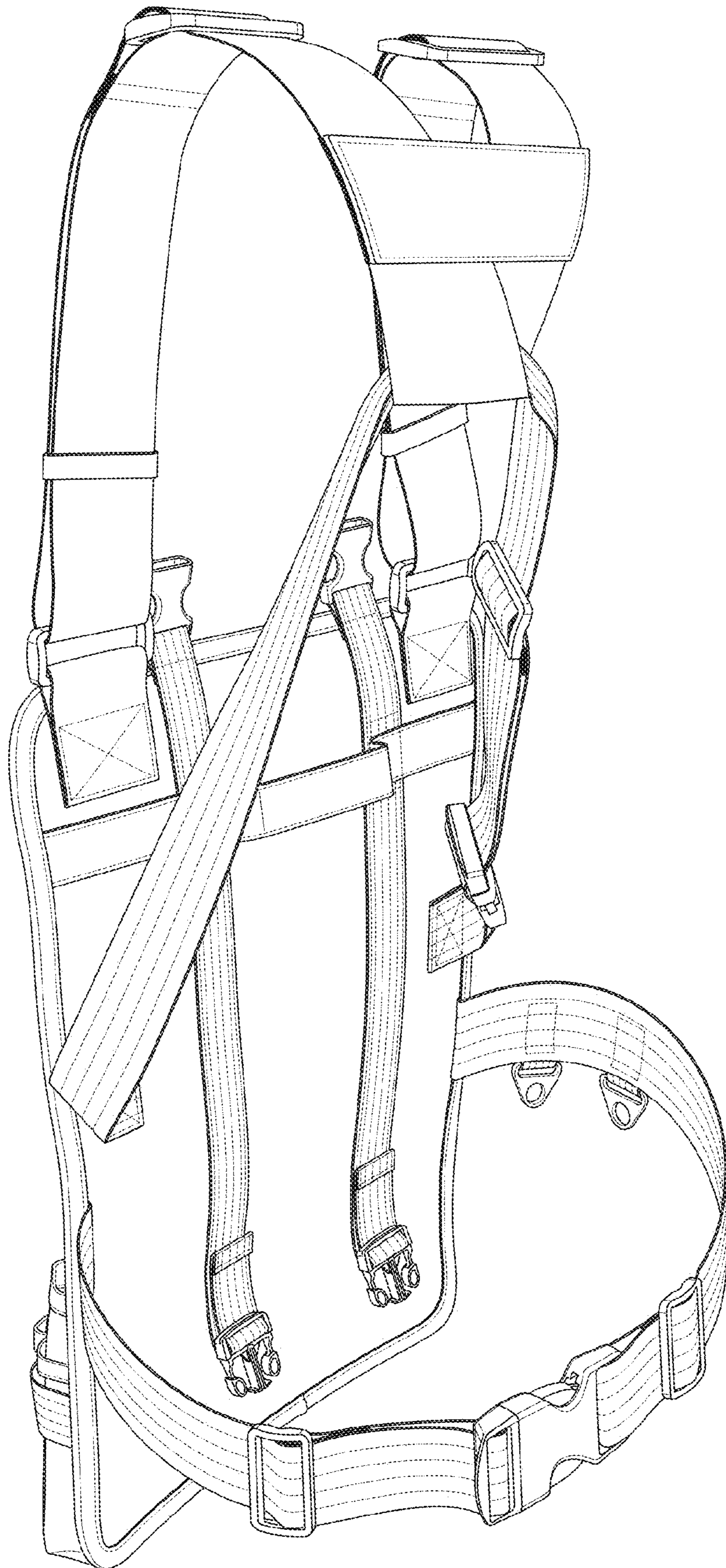


FIG. 5

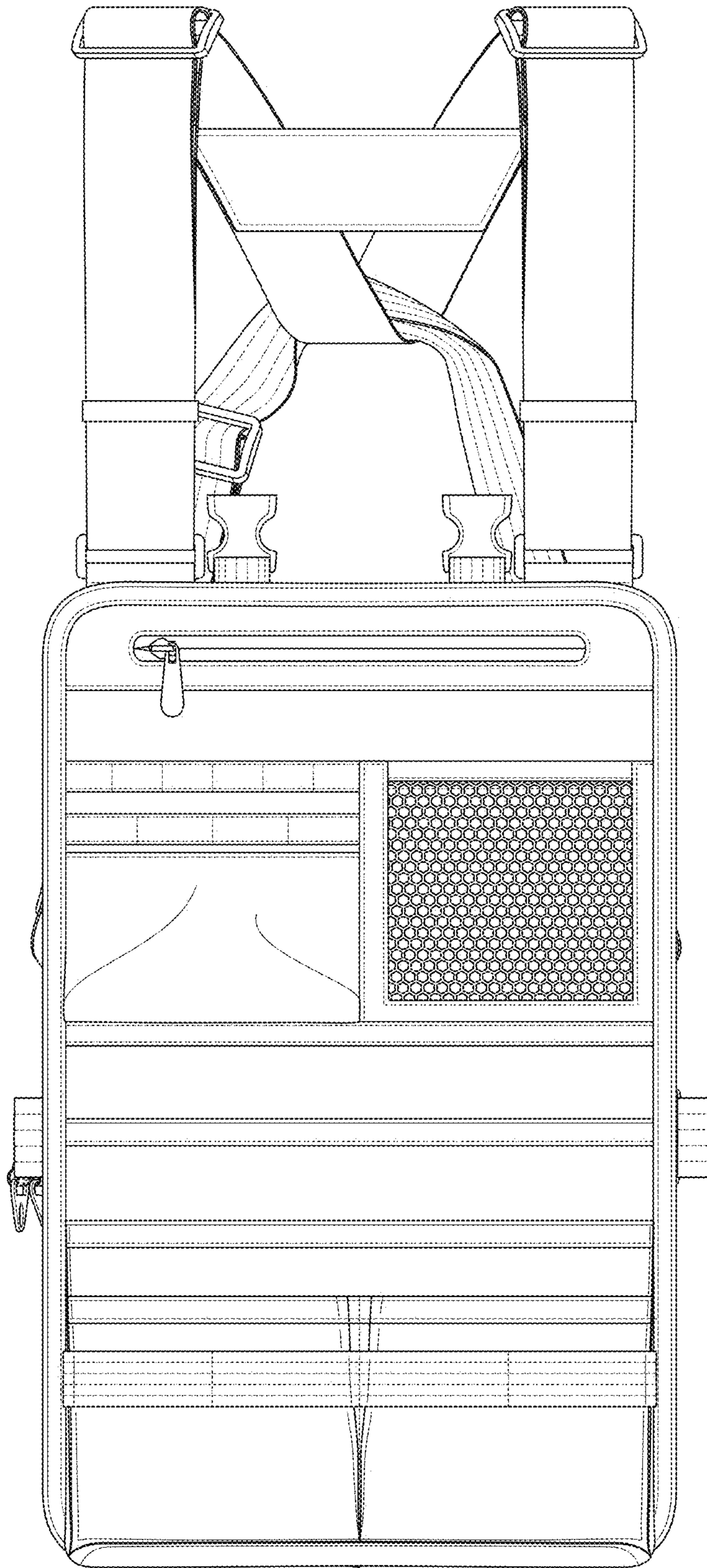


FIG. 6

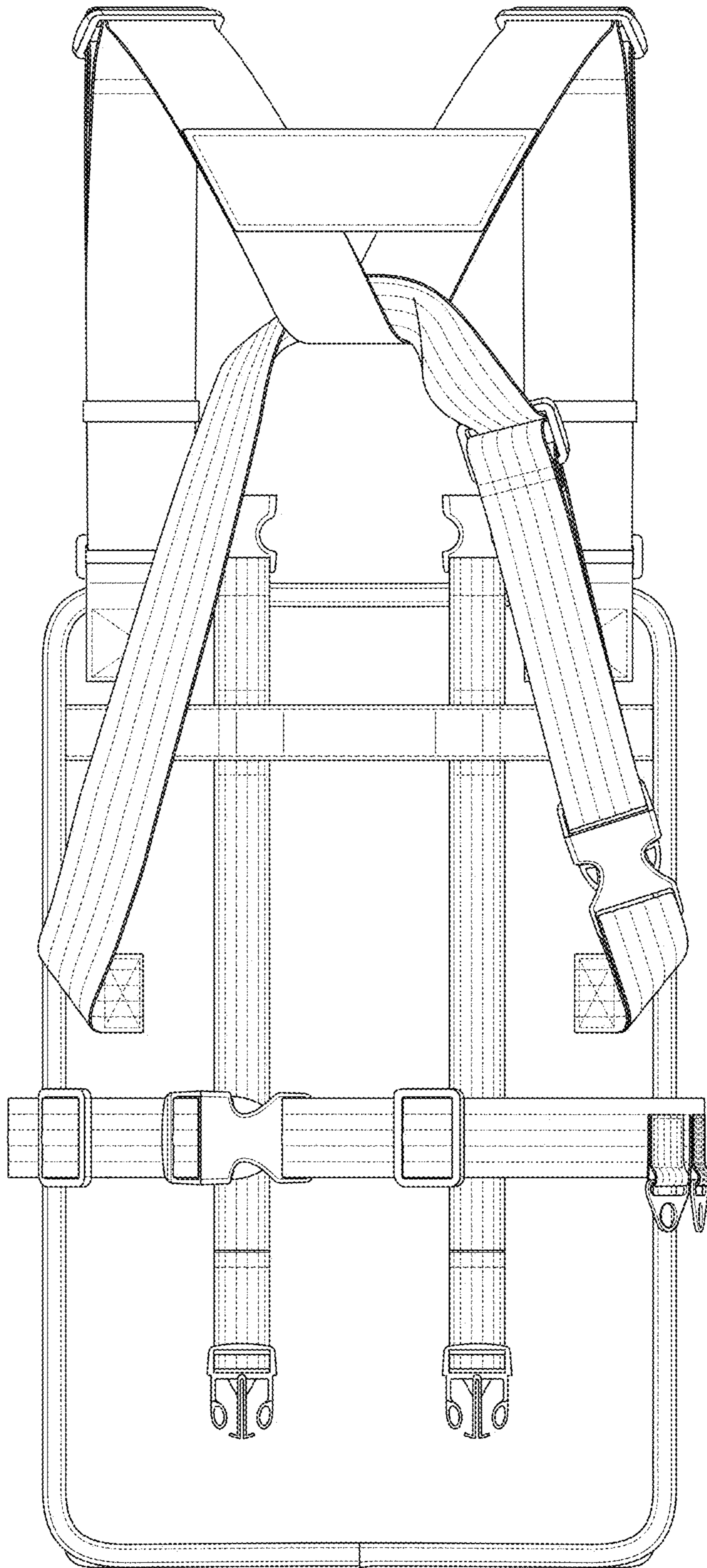


FIG. 7

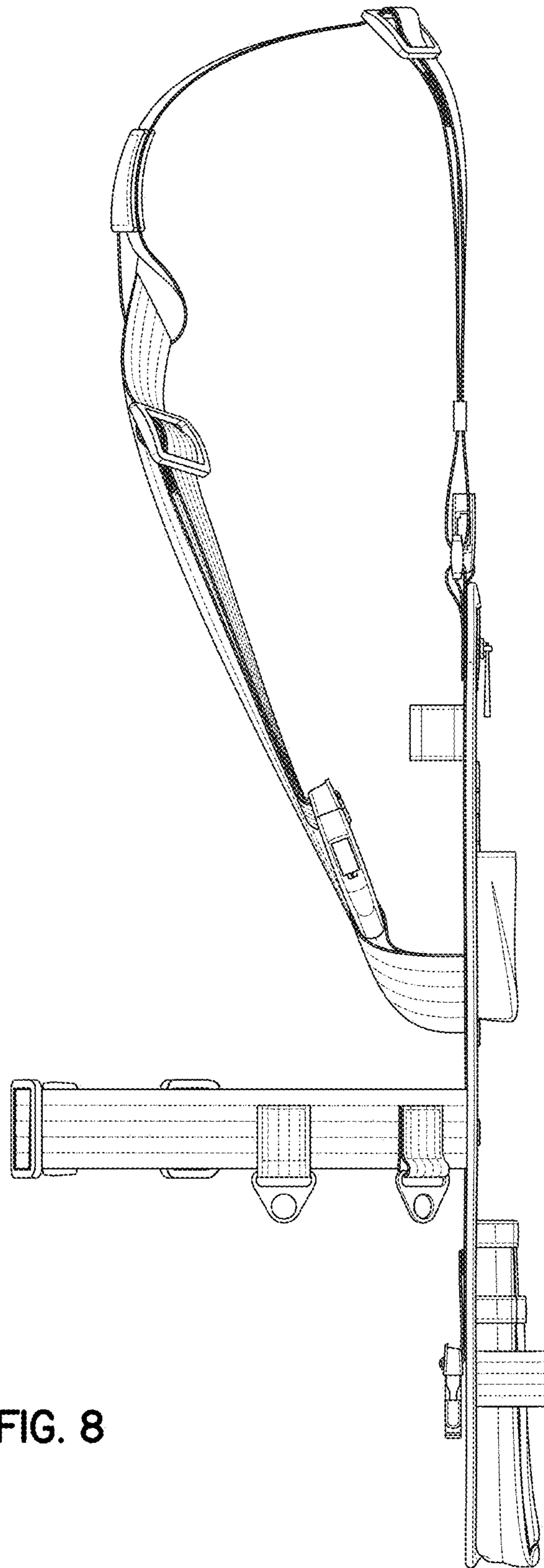


FIG. 8

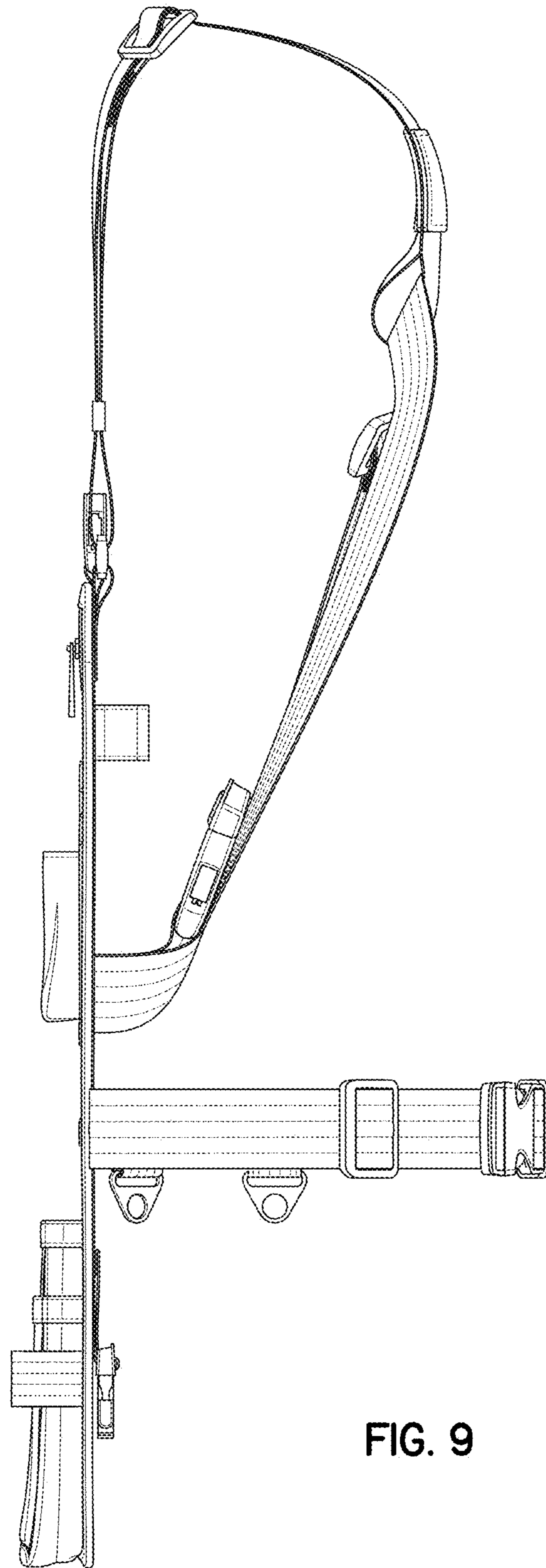


FIG. 9

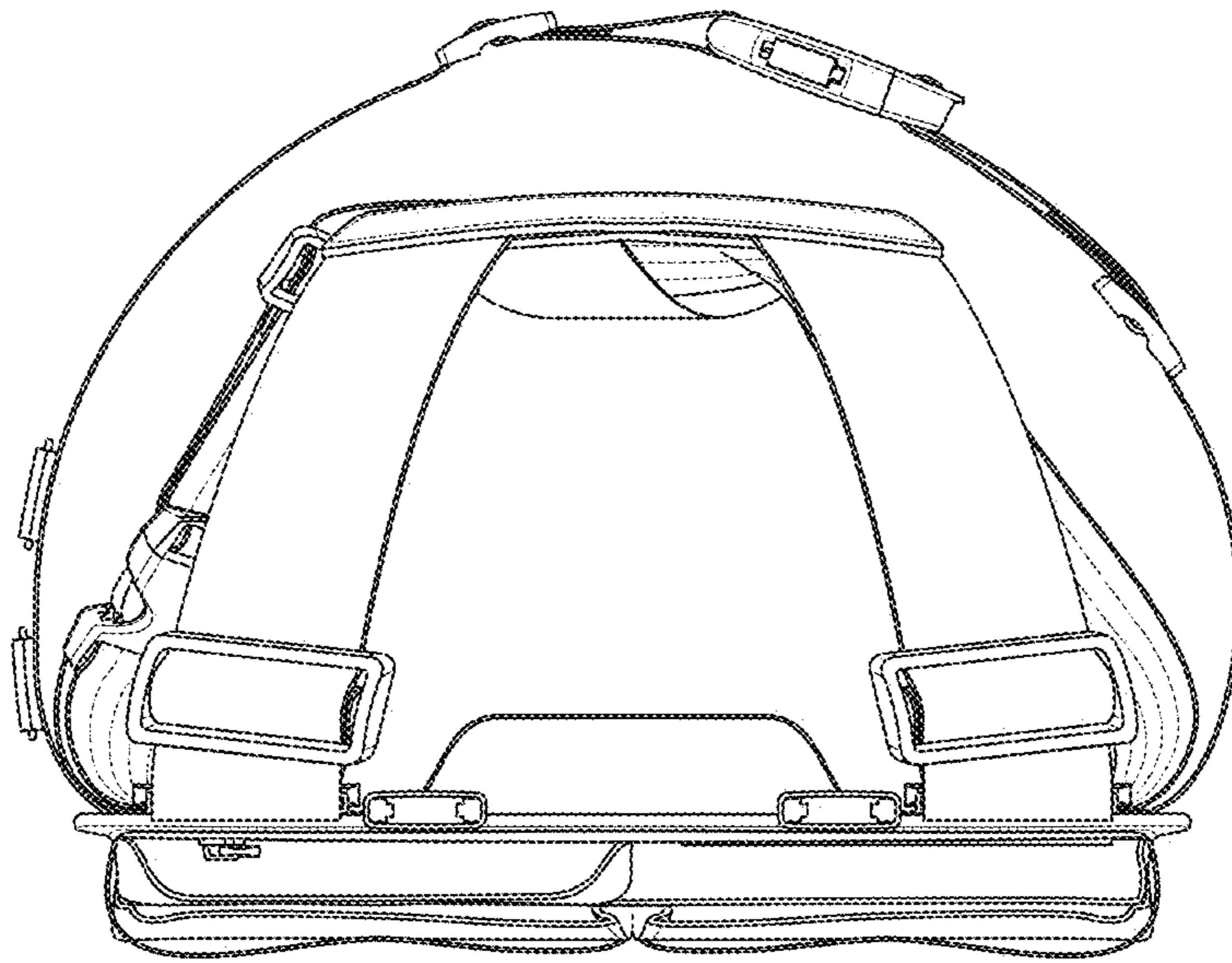


FIG. 10

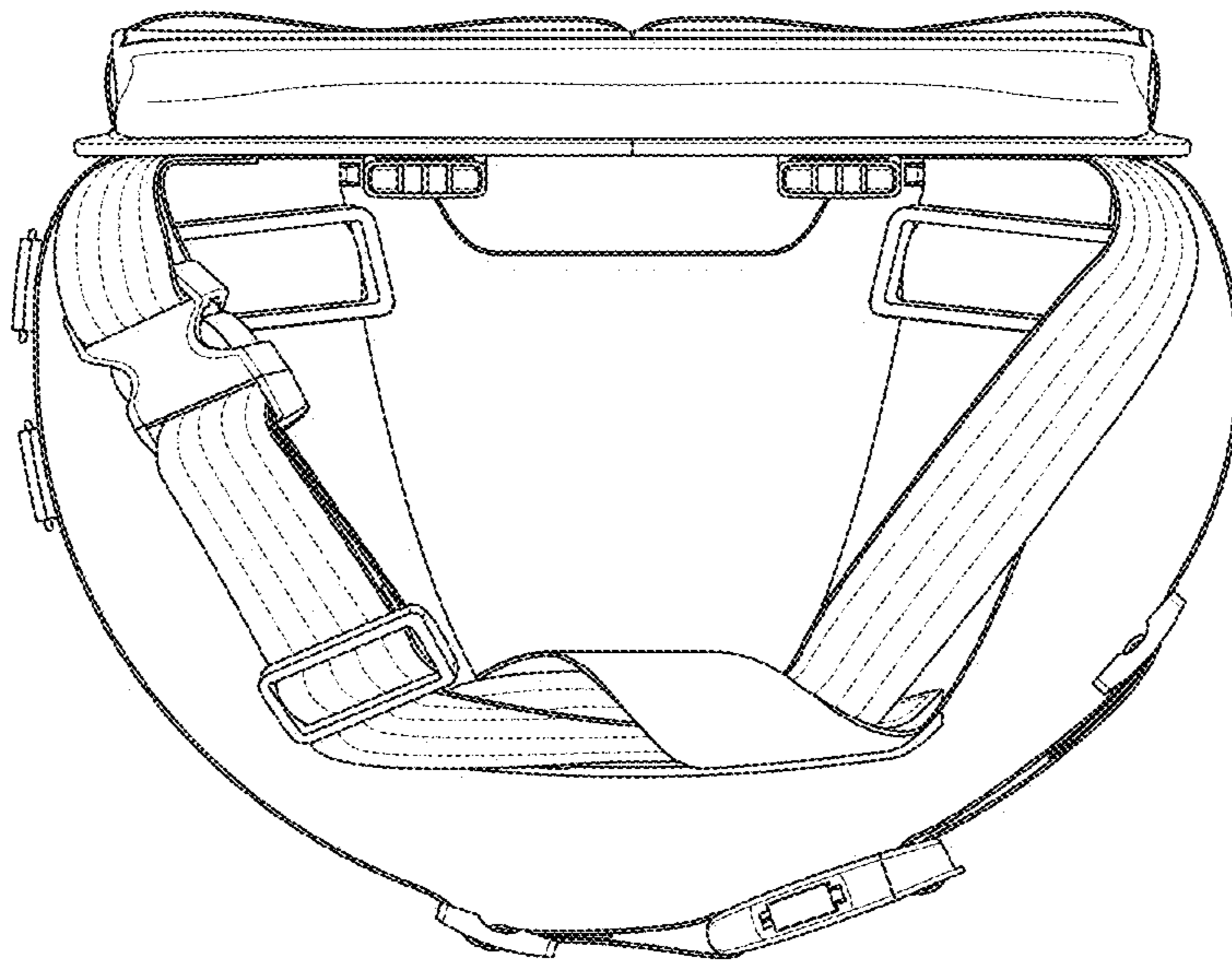


FIG. 11