



US00D960524S

(12) **United States Design Patent** (10) **Patent No.:** **US D960,524 S**
Patel (45) **Date of Patent:** **** Aug. 16, 2022**

(54) **UPPER TORSO ROBE**
(71) Applicant: **Mona Patel**, Potomac, MD (US)
(72) Inventor: **Mona Patel**, Potomac, MD (US)
(**) Term: **15 Years**
(21) Appl. No.: **29/725,531**
(22) Filed: **Feb. 25, 2020**
(51) **LOC (13) Cl.** **02-02**
(52) **U.S. Cl.**
USPC **D2/829**
(58) **Field of Classification Search**
USPC D2/860, 861, 864, 745, 829, 854, 830;
D29/101.4; D24/206, 190
CPC A41D 13/00; A41D 13/04; A41D 13/01;
A41B 13/10; A41B 13/00
See application file for complete search history.

5,249,106 A * 9/1993 Barnes G08B 5/004
362/103
D341,920 S * 12/1993 Besaw D2/829
D374,970 S * 10/1996 Jagger D2/720
D382,670 S * 8/1997 Sayre D29/101.1
D409,820 S * 5/1999 Ruscitti D29/101.4
D416,375 S * 11/1999 McMaster D2/829
D440,716 S * 4/2001 Lesley A41D 13/01
D29/101.4
D453,055 S * 1/2002 Ode D2/829
(Continued)

OTHER PUBLICATIONS

Free Pattern: Wing-Collar Shirt Dickey posted to 7pinedesign.com.
Available date: Aug. 16, 2016 [site visited Aug. 18, 2021] Available:
<<https://7pinedesign.com/free-pattern-wing-collar-shirt-dickey/>> (Year:
2016).*

(Continued)

Primary Examiner — Kevin K Rudzinski
(74) *Attorney, Agent, or Firm* — Miles & Stockbridge
P.C.

(56) **References Cited**

U.S. PATENT DOCUMENTS

2,269,491 A * 1/1942 Snyder A41D 1/04
2/90
D140,400 S * 2/1945 Malmstead D2/840
2,417,888 A * 3/1947 Schuster A41D 1/215
2/104
2,565,040 A * 8/1951 Murphey A41D 1/18
2/105
D169,912 S * 6/1953 Owen D2/864
D170,156 S * 8/1953 Hagan D2/864
2,818,573 A * 1/1958 O'Donnell A41D 13/1236
2/114
D241,186 S * 8/1976 Brosk D2/862
D250,737 S * 1/1979 Brosk D2/864
D273,818 S * 5/1984 Spencer D2/829
D276,189 S * 11/1984 Kostynuik D2/829
D288,021 S * 2/1987 Marconi D2/863
4,995,116 A * 2/1991 Beauchamp A41D 1/215
2/104
5,150,477 A * 9/1992 Elberson A41D 13/1236
2/114
D332,172 S * 1/1993 Lewis D2/829

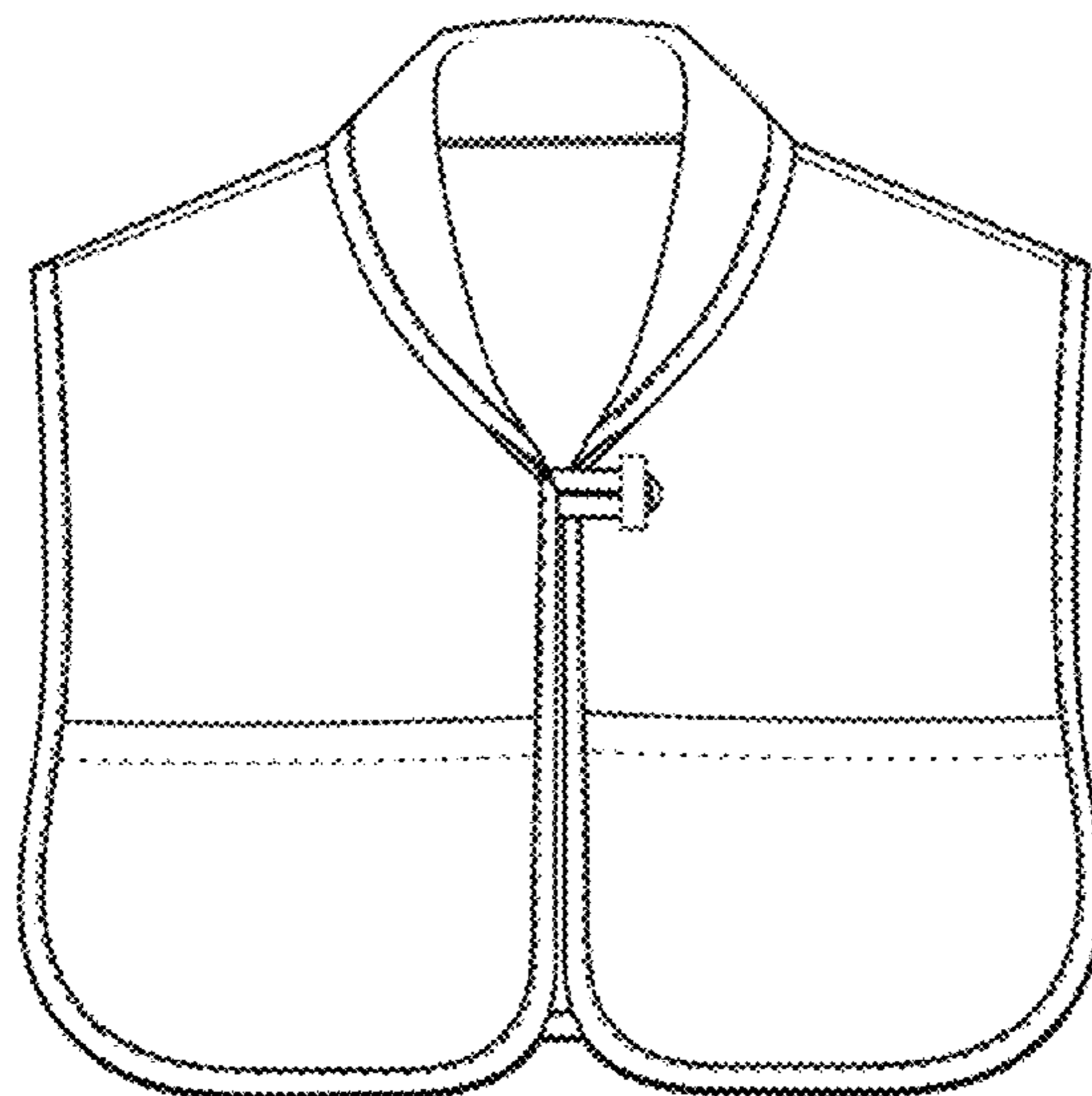
(57) **CLAIM**

The ornamental design for an upper torso robe, as shown and described.

DESCRIPTION

FIG. 1 is a front elevation view of an upper torso robe showing my new design;
FIG. 2 is a right side elevation view thereof;
FIG. 3 is a left side elevation view thereof;
FIG. 4 is a top plan view thereof;
FIG. 5 is a bottom plan view thereof; and,
FIG. 6 is a rear elevation view thereof.
The broken lines in the figures depict portions of the upper torso robe that form no part of the claimed design.

1 Claim, 6 Drawing Sheets



(56)

References Cited

U.S. PATENT DOCUMENTS

RE38,393 E * 1/2004 Bronson A41B 13/00
2/102
6,742,189 B2 * 6/2004 Bennett A41B 13/103
2/49.1
D507,393 S * 7/2005 Gabrielson D2/860
D507,859 S * 8/2005 Hoyt D2/829
D515,786 S * 2/2006 Williamson D2/830
7,058,982 B2 * 6/2006 Atallah A41D 1/04
2/102
D526,468 S * 8/2006 Dingman D2/829
7,082,617 B1 * 8/2006 Poindexter A41D 1/215
2/48
D548,400 S * 8/2007 Boord D29/101.1
D588,339 S * 3/2009 Dudzik D2/826
D588,752 S * 3/2009 Lesley D29/101.4
D590,545 S * 4/2009 Lesley D29/101.4
D591,484 S * 5/2009 Lindh D2/864
D622,484 S * 8/2010 Kilgallen D2/861
D640,449 S * 6/2011 Roach D2/861
D654,249 S * 2/2012 Stout D2/839
D657,940 S * 4/2012 Edery D2/860
D662,283 S * 6/2012 Gobble D2/829
D676,629 S * 2/2013 Peterka D2/861
D676,630 S * 2/2013 Visser D2/861
D695,999 S * 12/2013 Colburn D2/828
8,616,719 B1 * 12/2013 Barze A41D 13/01
362/108
D702,924 S * 4/2014 Baumgartner D2/860
D733,402 S * 7/2015 Eutsey D2/840
D735,416 S * 7/2015 Clewell D29/101.4
D737,546 S * 9/2015 Sewall D2/861
D744,202 S * 12/2015 Brown D2/829
9,265,654 B2 * 2/2016 Gallaher A61F 7/02
D755,481 S * 5/2016 Hodges D2/854
D766,514 S * 9/2016 Deng D29/101.4
D766,548 S * 9/2016 Stout D2/829
D804,100 S * 11/2017 Gill D29/101.4
9,854,856 B1 * 1/2018 Baldonado A41D 1/04
D812,307 S * 3/2018 Nieberding D29/101.4
D816,275 S * 4/2018 Jackson D29/101.4
D824,110 S * 7/2018 Stevens D29/101.4
D829,998 S * 10/2018 Groat D29/101.4
D840,640 S * 2/2019 Visser D2/861
D841,291 S * 2/2019 Clark D2/829
D850,009 S * 5/2019 Jackson D29/101.4
D851,775 S * 6/2019 Jordanov D24/206
D872,373 S * 1/2020 Prasad D29/101.4
D877,419 S * 3/2020 Shi D29/101.4
D879,412 S * 3/2020 Colbert D2/831
D889,779 S * 7/2020 Green D2/829
D892,437 S * 8/2020 Swank D2/829
D902,337 S * 11/2020 Fornaro D21/805
D906,595 S * 12/2020 Gill D29/101.4

D915,033 S * 4/2021 Stathakis D2/861
D935,741 S * 11/2021 Surabian D2/829
11,259,576 B1 * 3/2022 Campbell A41D 1/04
2004/0261152 A1 * 12/2004 Mottl A41B 13/103
2/50
2005/0055753 A1 * 3/2005 Horn A41D 13/0053
2/102
2006/0034064 A1 * 2/2006 Kanzler A41D 13/01
362/84
2010/0089897 A1 * 4/2010 Bart A61F 7/034
219/211
2019/0037934 A1 * 2/2019 Swank G08B 5/004
2019/0104777 A1 * 4/2019 Lauf G08B 5/004
2019/0289924 A1 * 9/2019 Gordon A41B 13/10
2021/0068477 A1 * 3/2021 Johnson A41D 1/002

OTHER PUBLICATIONS

Tatuo 2 Pieces Fake Collar Detachable Blouse Dickey Collar Half Shirt False Collar for Women, posted to amazon.com. Available date: Aug. 10, 2018 [site visited Aug. 18, 2021] Available: <<https://www.amazon.com/Tatuo-Pieces-Collar-Detachable-Blouse/dp/B07VL9TVBB>> (Year: 2018).*

Shirt Collar Pattern, Set of 6 Shirt Collars With Bib by momos Atelier, posted to etsy.com. Available date: Jan. 11, 2021 [site visited Aug. 18, 2021] Available: <https://www.etsy.com/listing/921732790/shirt-collar-pattern-set-of-6-shirt?utm_medium=SellerListingTools&utm_campaign=Share&utm_source=Pinterest&share_time=1609683426000&utm_term=so.slt&epik=dj0yJnU9cTUyTVY5dmQ5RjNPSFdxX3U0U205cVlneV9JZU16OTYmcD0wJm49RDIzbVRfVG9vNzZ6c0YwM1VtWno3dyZ0PUFBQUFBROVieVBv> (Year: 2021).*

Safety Vest With High Visibility Reflective Strips from Dasher Products Store, posted on amazon.com. Available date: Dec. 18, 2017 [site visited Nov. 16, 2021] Available: <<https://www.amazon.com/Safety-Vest-with-High-Visibility/dp/B078H6R3BV>>.*

Pyramex RV110NS Safety Vest posted to fullsource.com. Available date: Nov. 8, 2017 [site visited Apr. 1, 2022] Available: <https://www.fullsource.com/pyramex-rv110ns/?gclid=EAlalQobChMlwqyllqPz9glVI4vlCh3XOQYzEakYBiABEgLAOPD_BwE#reviewssummary> (Year: 2017).*

Glowear Hi Vis Expandable Public Safety Vest by Ergodyne, posted to homedepot.com. Available date: Aug. 21, 2013 [site visited Apr. 1, 2022] Available: <<https://www.homedepot.com/p/Ergodyne-GLoWEAR-X-Large-2X-Large-Lime-Hi-Vis-Type-P-Class-2-Expandable-Public-Safety-Vest-8244PSV/308979171>> (Year: 2013).*

Sife High Visibility Reflective Safety Vest posted to amazon.com. Available date: Oct. 31, 2018 [site visited Apr. 1, 2022] Available: <https://www.amazon.com/SIFE-Visibility-Reflective-Breathable-Universal/dp/B07F5DC73Y/ref=sr_1_40?crd=2V976YNKPG8XM&keywords=reflective%2Bvest&qid=1648830616&srefix=reflective%2Bvest%2Caps%2C106&sr=8-40&th=1> (Year: 2018).*

* cited by examiner



FIG. 1

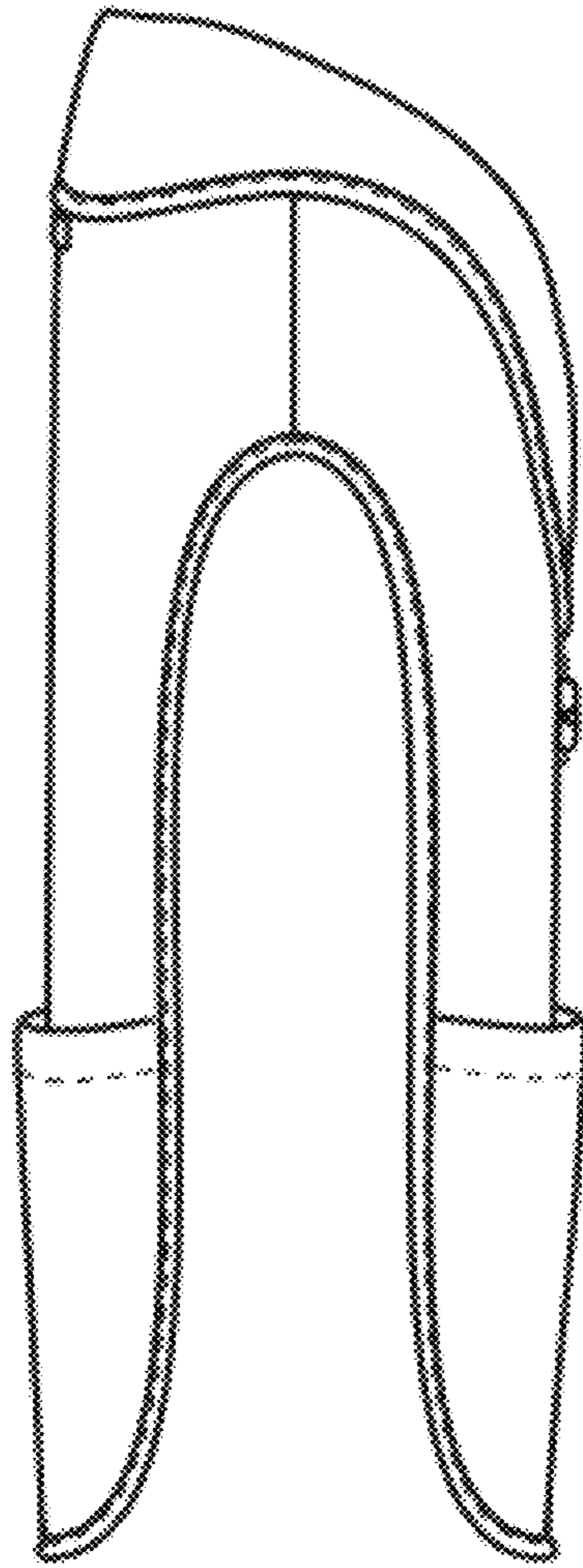


FIG. 2

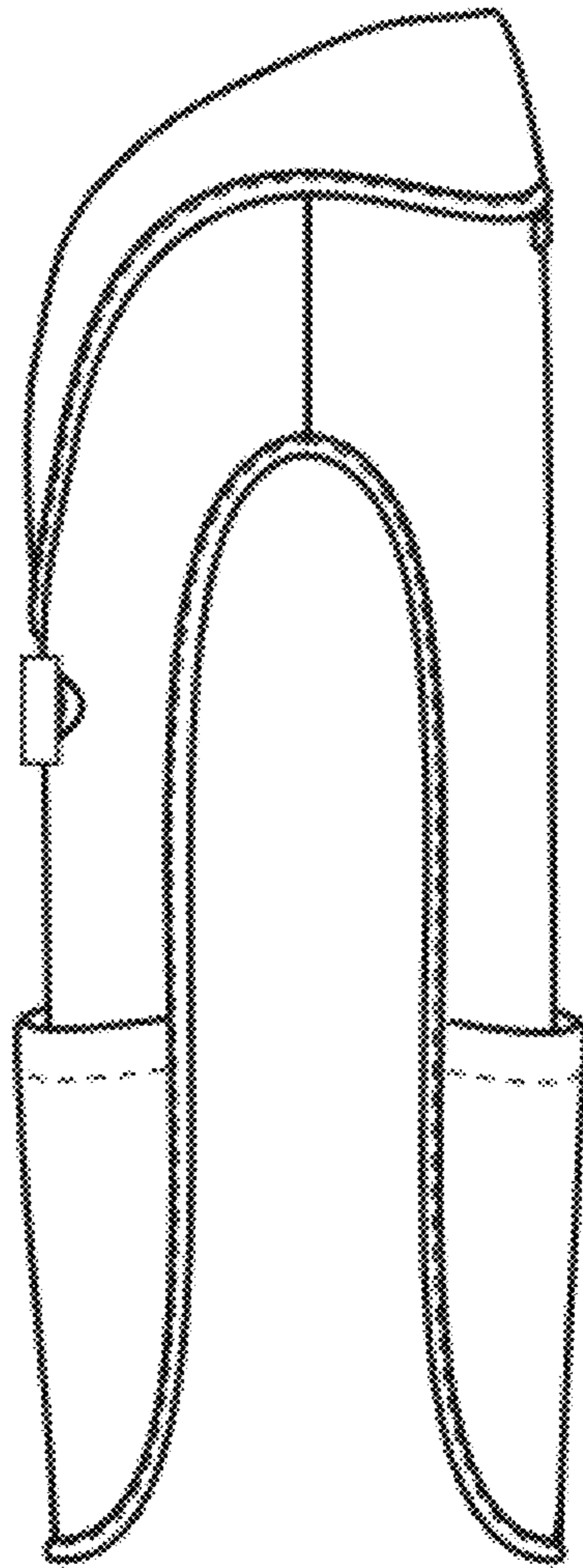


FIG. 3

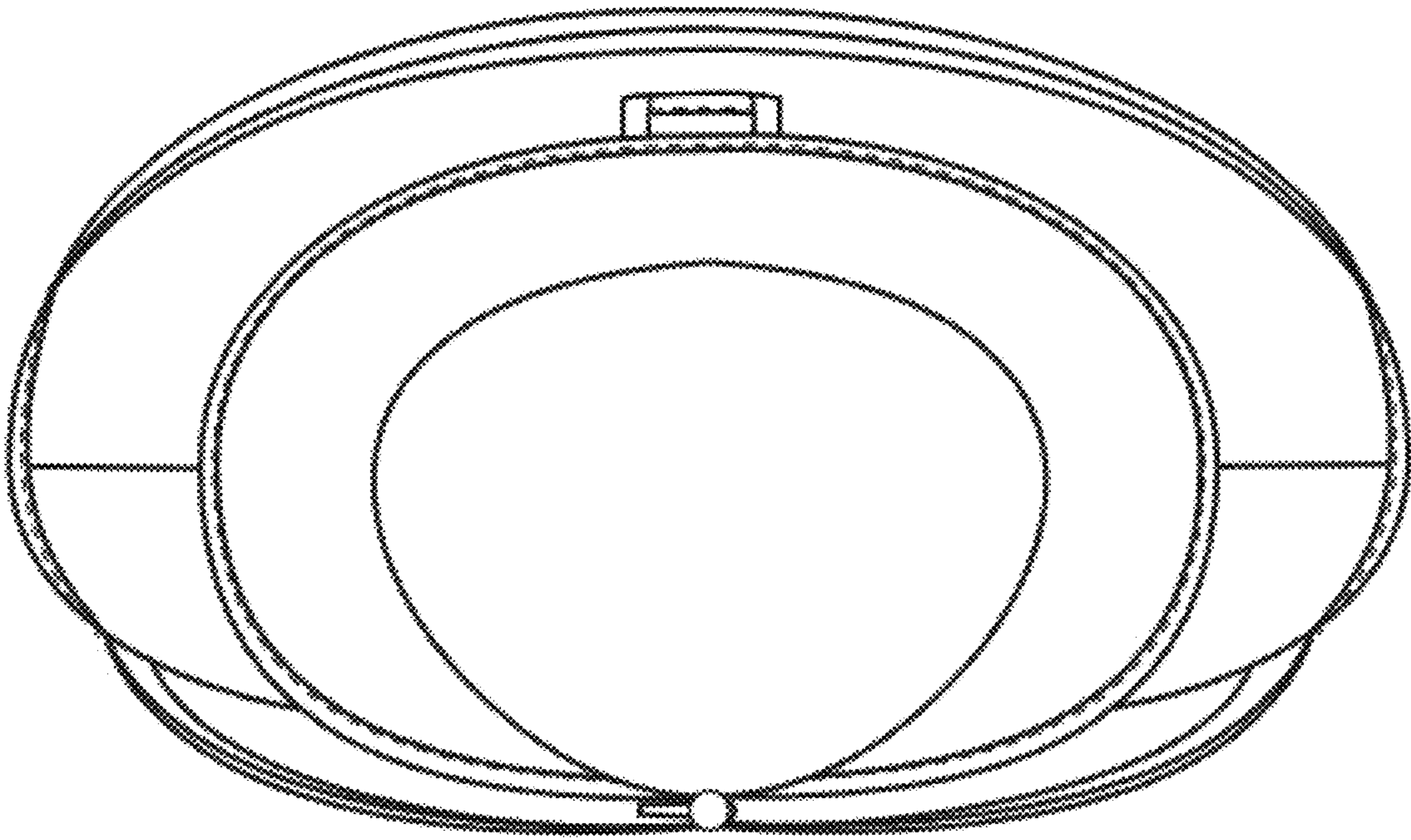


FIG. 4

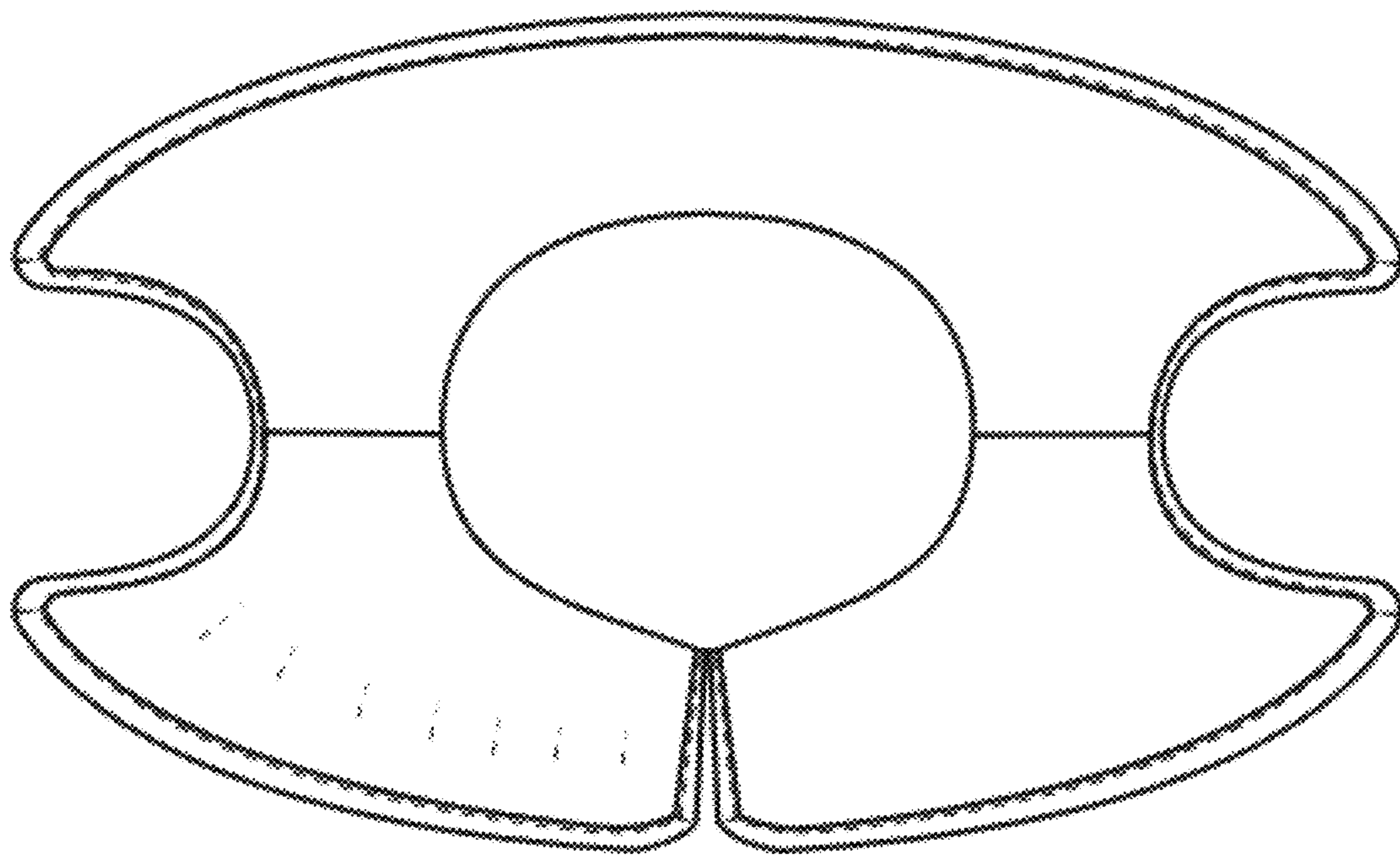


FIG. 5

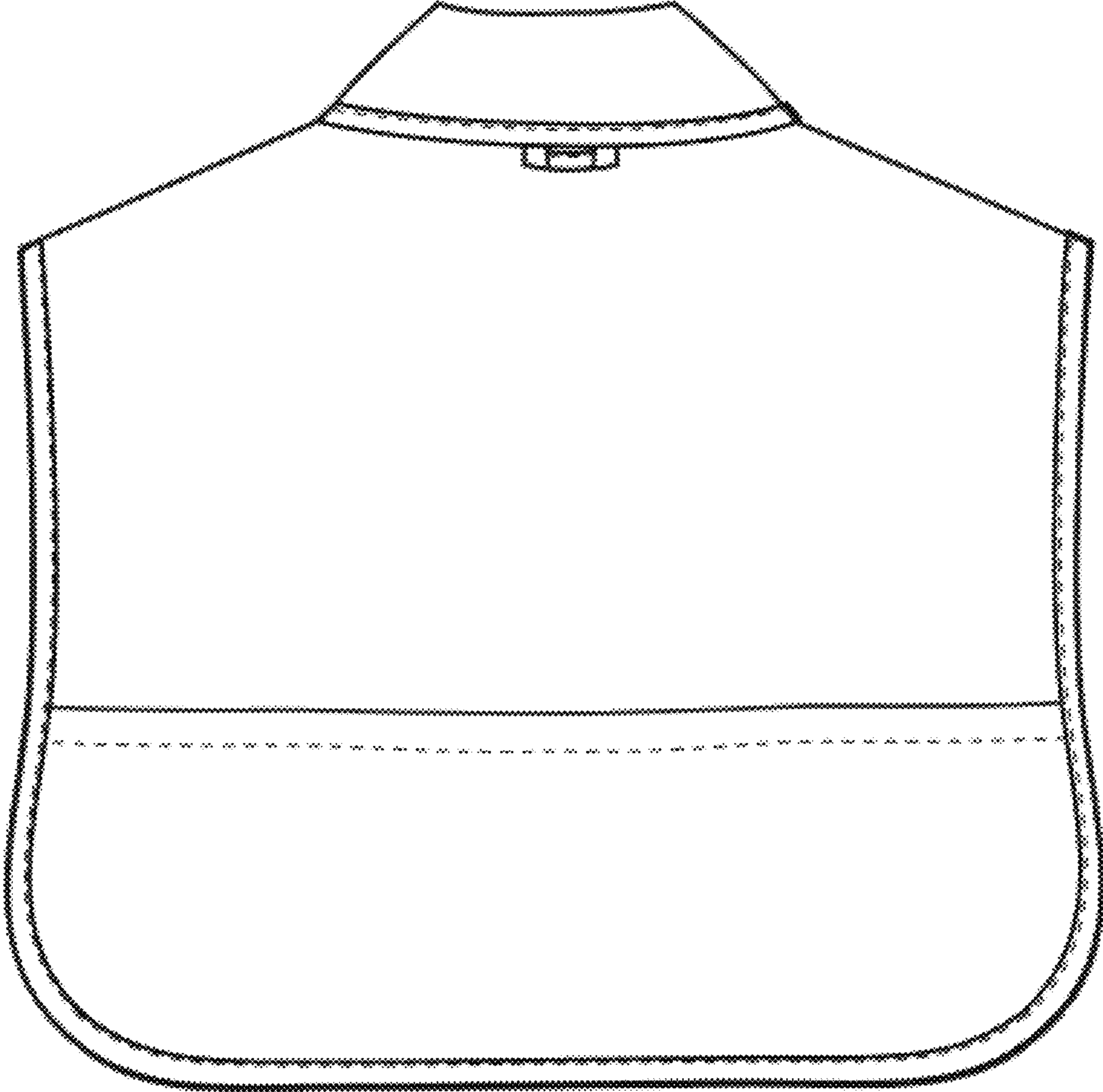


FIG. 6