



(12) **United States Design Patent**  
**Zhong**

(10) **Patent No.:** **US D960,520 S**  
(45) **Date of Patent:** **\*\* Aug. 16, 2022**

(54) **WINTER COAT**

(71) Applicant: **Zhou Xiao Zhong**, Ziyang (CN)

(72) Inventor: **Zhou Xiao Zhong**, Ziyang (CN)

(\*\*) Term: **15 Years**

(21) Appl. No.: **29/717,353**

(22) Filed: **Dec. 17, 2019**

(51) **LOC (13) Cl.** ..... **02-02**

(52) **U.S. Cl.**  
USPC ..... **D2/828**

(58) **Field of Classification Search**  
USPC ..... D2/828-829, 831-832, 839, 750  
CPC ... A41D 1/00; A41D 1/02; A41D 3/00; A41D  
3/02; A41D 3/04  
See application file for complete search history.

(56) **References Cited**

**U.S. PATENT DOCUMENTS**

2,368,654	A *	2/1945	Frank	.....	A41D 3/00 2/94
D173,177	S *	10/1954	Wright	.....	D2/831
D261,070	S *	10/1981	Pettibone	.....	D2/831
D374,329	S *	10/1996	Wilde	.....	D2/828
D451,661	S *	12/2001	Costello	.....	D2/828
D604,479	S *	11/2009	Roe	.....	D2/832
D638,200	S *	5/2011	Gorson	.....	D2/831
D836,299	S *	12/2018	Lamprey	.....	D2/839
D906,636	S *	1/2021	Zhang	.....	D2/828
2013/0042384	A1 *	2/2013	Mitchell	.....	A42B 1/048 2/84
2015/0201680	A1 *	7/2015	Lee	.....	A41D 1/21 2/93
2019/0069620	A1 *	3/2019	Davis	.....	A41D 27/08
2020/0054083	A1 *	2/2020	Park	.....	A41D 3/02

**OTHER PUBLICATIONS**

Orolay Men's Thickened Down Jacket Hooded Winter Coats, posted Jun. 6, 2020 [online], (retrieved Sep. 20, 2021). Retrieved

from the internet, [https://www.amazon.com/dp/B082G7P95S/ref=sspa\\_dk\\_detail\\_6?psc=1&pd\\_rd\\_i=B082G7P95S&pd\\_rd\\_w=nZiGz&pf\\_rd\\_p=5d846283-ed3e-4512-a744-a30f97c5d738&pd\\_rd\\_wg=pKPkM&pf\\_rd\\_r=XT%E2%0A](https://www.amazon.com/dp/B082G7P95S/ref=sspa_dk_detail_6?psc=1&pd_rd_i=B082G7P95S&pd_rd_w=nZiGz&pf_rd_p=5d846283-ed3e-4512-a744-a30f97c5d738&pd_rd_wg=pKPkM&pf_rd_r=XT%E2%0A) (Year: 2020).\*  
Chouyatou Winter Removable Hooded Lined Midi Packable Parka, posted Oct. 14, 2018 [online], (retrieved Sep. 20, 2021). Retrieved from the internet, [https://www.amazon.com/dp/B07JF26HQ7/ref=sspa\\_dk\\_detail\\_5?pd\\_rd\\_i=B07JF26HQ7&pd\\_rd\\_w=7nwHu&pf\\_rd\\_p=5d846283-ed3e-4512-a744-a30f97c5d738&pd\\_rd\\_wg=yOjp3&pf\\_rd\\_r=Z](https://www.amazon.com/dp/B07JF26HQ7/ref=sspa_dk_detail_5?pd_rd_i=B07JF26HQ7&pd_rd_w=7nwHu&pf_rd_p=5d846283-ed3e-4512-a744-a30f97c5d738&pd_rd_wg=yOjp3&pf_rd_r=Z) (Year: 2018).\*  
Men's Baxter State Parka ,review posted as early as Nov. 5, 2009 [online], (retrieved Sep. 20, 2021). Retrieved from the internet, <https://www.llbean.com/llb/shop/60850?page=baxter-state-parka&bc=12-26-593-506673&feat=506673-GN3&csp=a&pos=1> (Year: 2009).\*

\* cited by examiner

*Primary Examiner* — Kevin K Rudzinski

*Assistant Examiner* — J. Thorn, Sr.

(74) *Attorney, Agent, or Firm* — RC Trademark Company

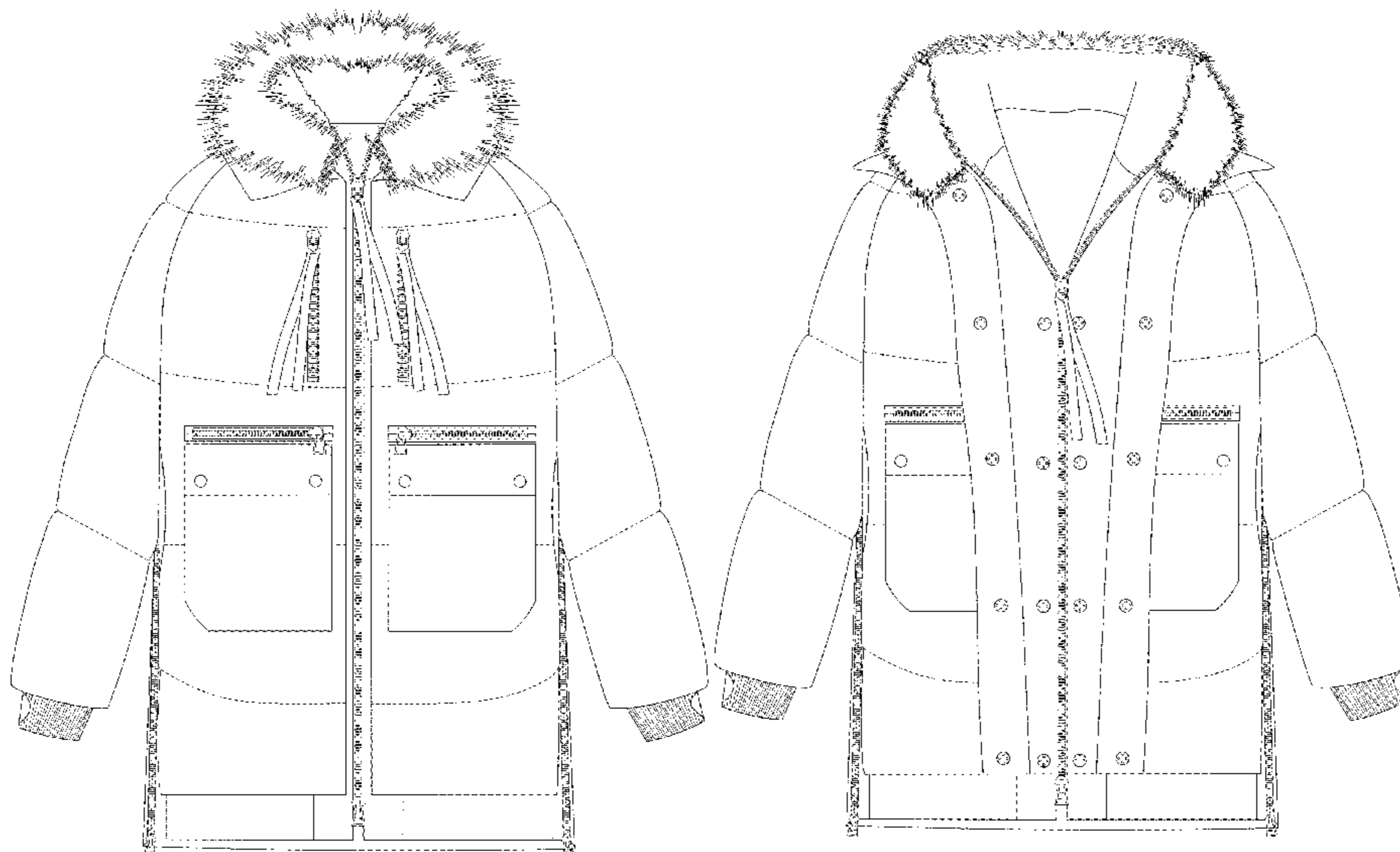
(57) **CLAIM**

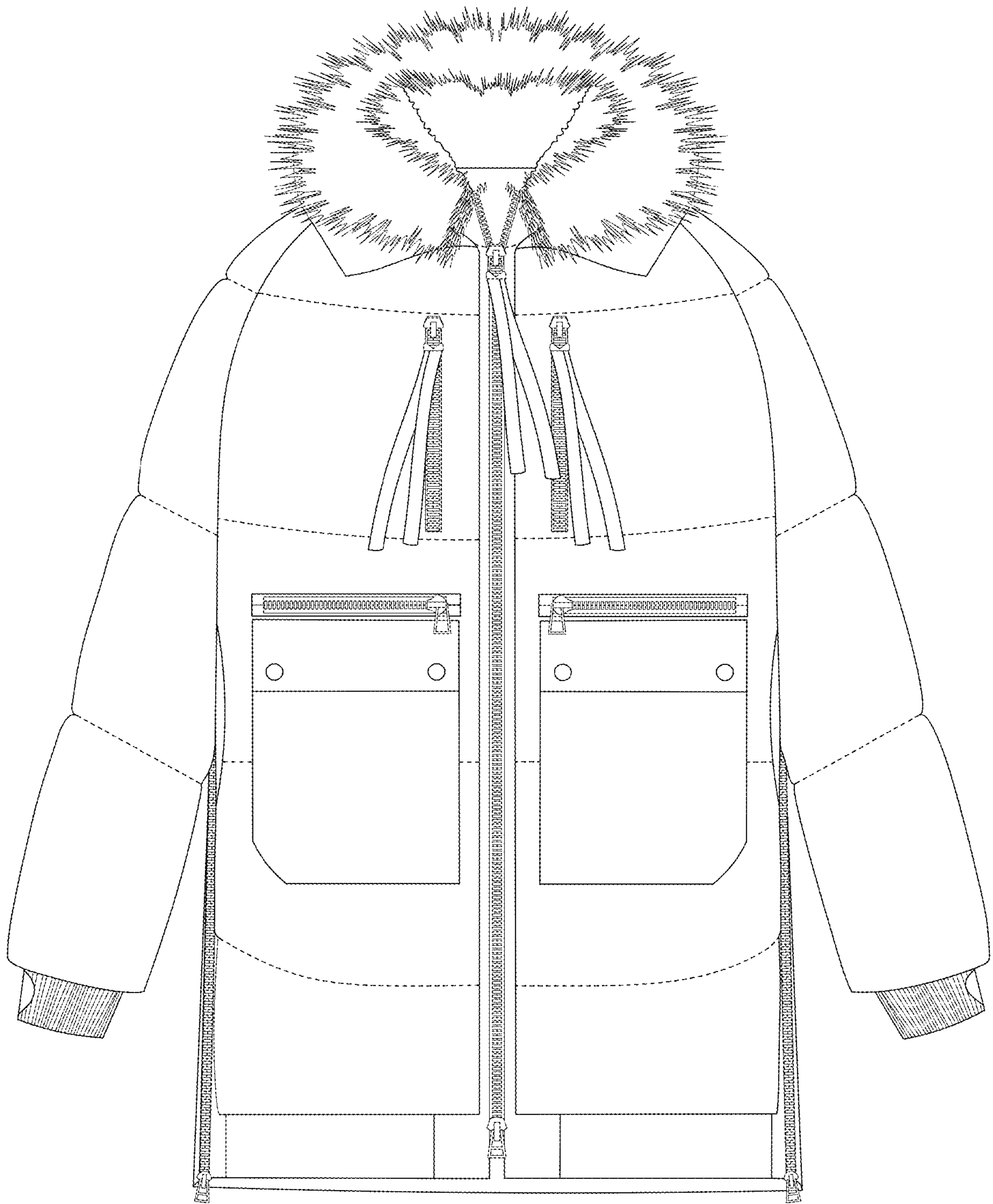
The ornamental design for a winter coat, as shown and described.

**DESCRIPTION**

FIG. 1 is a front view of a winter coat.  
FIG. 2 is a front view of the winter coat of FIG. 1 partially opened.  
FIG. 3 is a left side view of the winter coat of FIG. 1.  
FIG. 4. is right side view of the winter coat of FIG. 1.  
FIG. 5 is a rear view of the winter coat of FIG. 1.  
FIG. 6 is a top view of the winter coat of FIG. 1; and,  
FIG. 7 is a bottom view of the winter coat of FIG. 1.  
The broken lines in the drawings depict stitching and form no part of the claimed design.

**1 Claim, 7 Drawing Sheets**

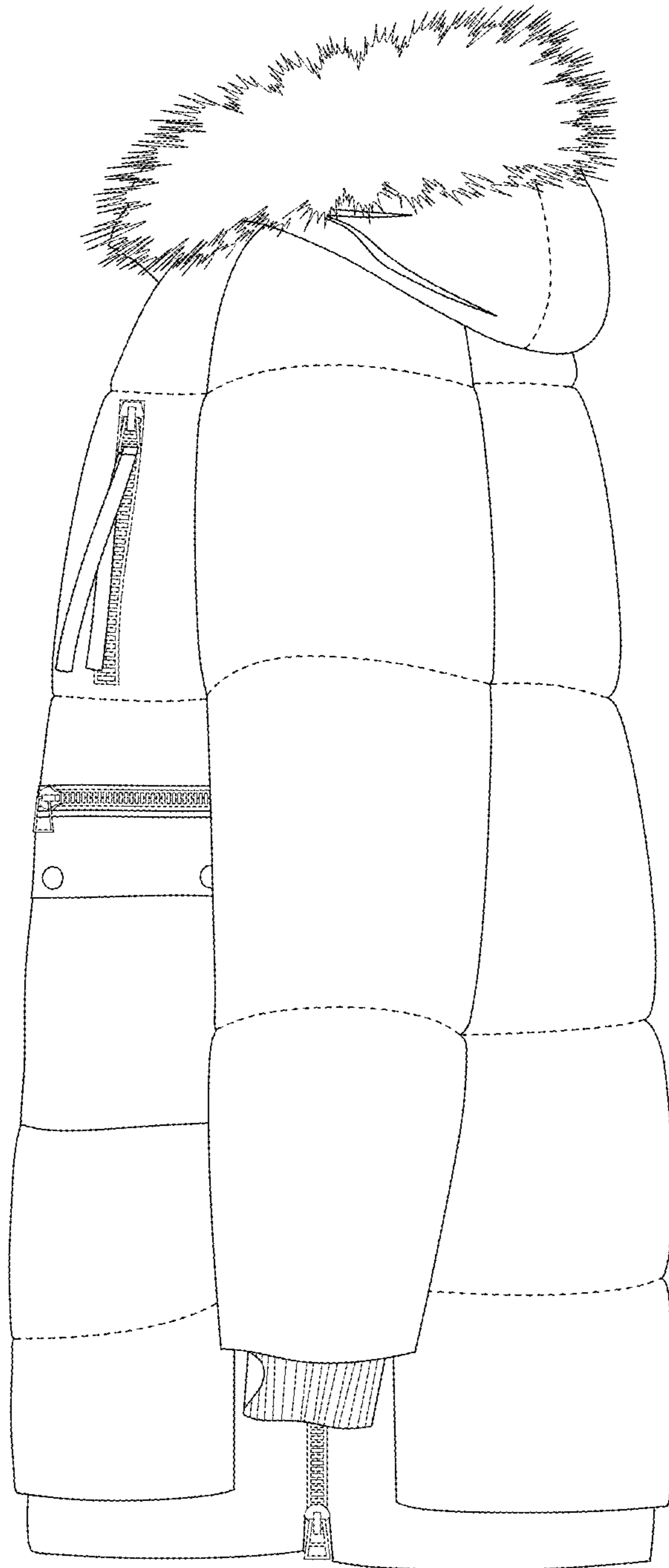




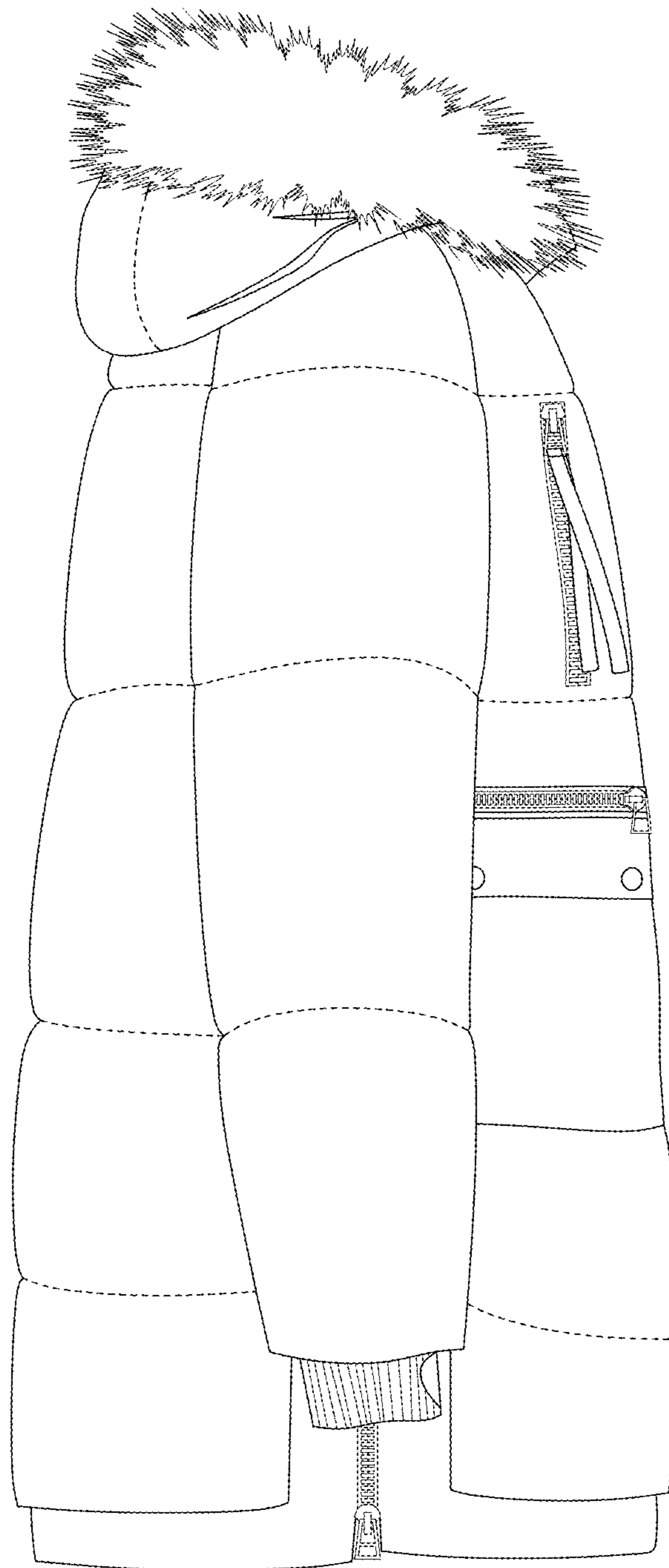
**FIG. 1**



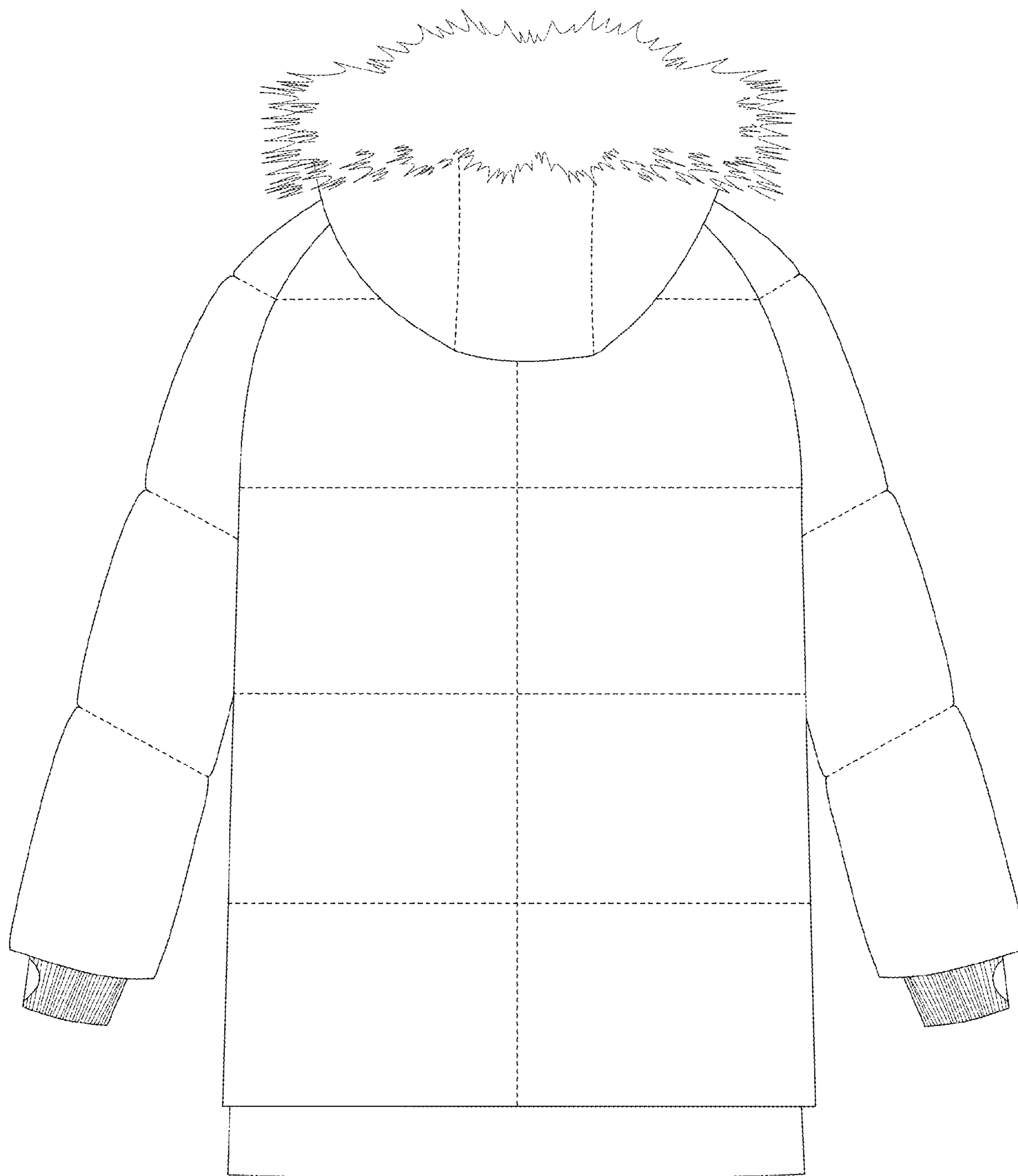
**FIG. 2**



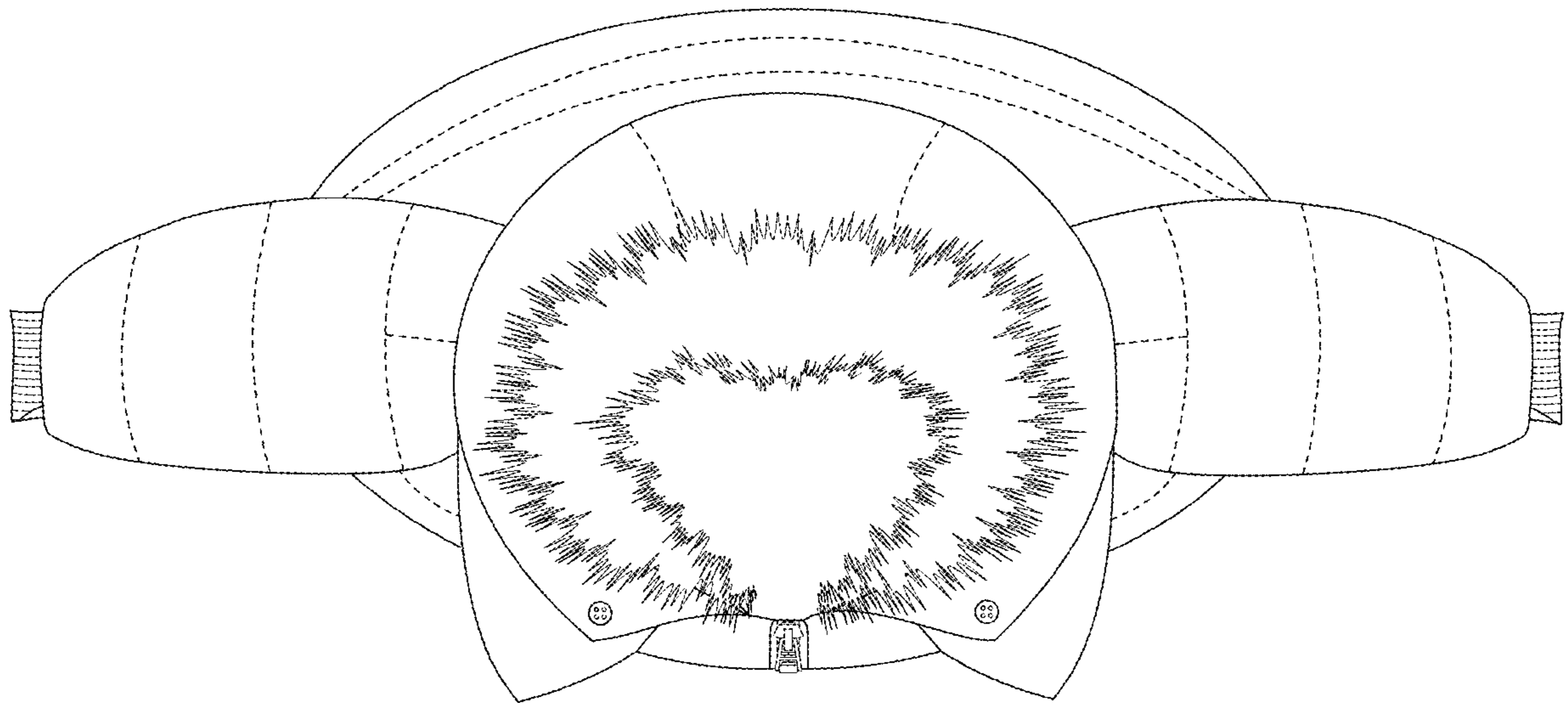
**FIG. 3**



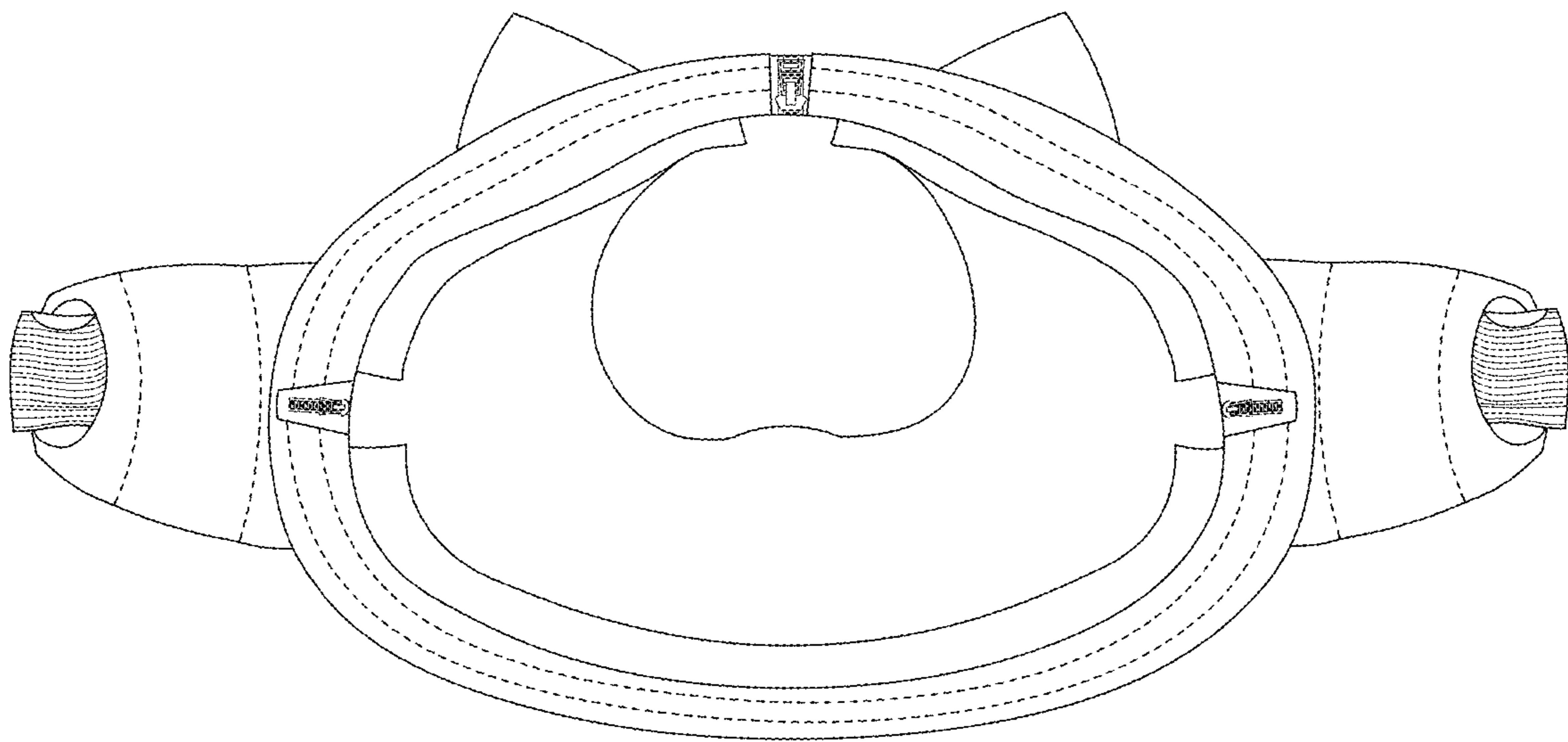
**FIG. 4**



**FIG. 5**



**FIG. 6**



**FIG. 7**





US00D960520C1

(12) **EX PARTE REEXAMINATION CERTIFICATE** (12685th)  
**United States Patent**  
**Zhong**

(10) **Number:** **US D960,520 C1**  
(45) **Certificate Issued:** **Aug. 22, 2024**

(54) **WINTER COAT**

(71) Applicant: **Zhou Xiao Zhong**, Ziyang (CN)

(72) Inventor: **Zhou Xiao Zhong**, Ziyang (CN)

**Reexamination Request:**

No. 90/015,184, Jan. 3, 2023

**Reexamination Certificate for:**

Patent No.: **Des. 960,520**  
Issued: **Aug. 16, 2022**  
Appl. No.: **29/717,353**  
Filed: **Dec. 17, 2019**

(51) **LOC (14) Cl.** ..... **02-02**

(52) **U.S. Cl.**

USPC ..... **D2/828**

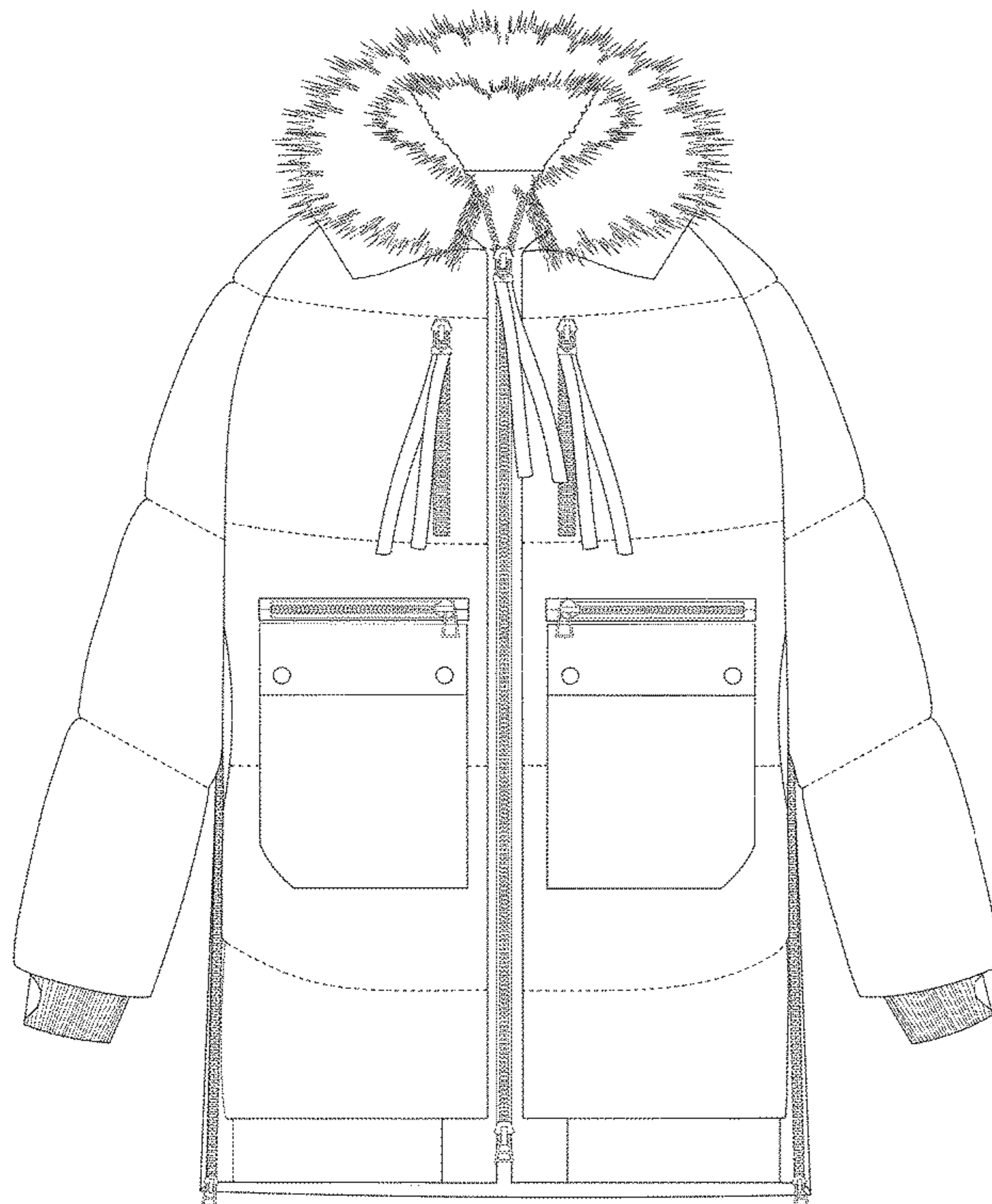
(58) **Field of Classification Search**

USPC ..... D2/828, 831, 832  
See application file for complete search history.

(56) **References Cited**

To view the complete listing of prior art documents cited during the proceeding for Reexamination Control Number 90/015,184, please refer to the USPTO's Patent Electronic System.

*Primary Examiner* — Brett Miller



**EX PARTE  
REEXAMINATION CERTIFICATE**

THE PATENT IS HEREBY AMENDED AS  
INDICATED BELOW.

5

AS A RESULT OF REEXAMINATION, IT HAS BEEN  
DETERMINED THAT:

The claim is cancelled.

10

\* \* \* \* \*