



US00D960512S

(12) **United States Design Patent** (10) **Patent No.:** **US D960,512 S**
Cason (45) **Date of Patent:** **** Aug. 16, 2022**

(54) **SWEATER SUIT**

FOREIGN PATENT DOCUMENTS

(71) Applicant: **Wesley Lydell Cason**, Perryville, MD (US)
(72) Inventor: **Wesley Lydell Cason**, Perryville, MD (US)

CN 201504572 U 6/2010
CN 102031695 A 4/2011
CN 202999416 U 6/2013
CN 205902848 U 1/2017
KR 20140035863 A 3/2014

(**) Term: **15 Years**

OTHER PUBLICATIONS

(21) Appl. No.: **29/685,254**

Epaulette, Wikipedia, <https://en.wikipedia.org/wiki/Epaulette>, accessed on Feb. 18, 2019.

(22) Filed: **Mar. 27, 2019**

* cited by examiner

(51) **LOC (13) Cl.** **02-02**

(52) **U.S. Cl.**
USPC **D2/743**

(58) **Field of Classification Search**
USPC D2/743, 728, 779, 718
CPC A41D 3/00; A41D 3/02; A41D 13/02
See application file for complete search history.

Primary Examiner — Kevin K Rudzinski
Assistant Examiner — J. Thorn, Sr.
(74) *Attorney, Agent, or Firm* — Swift & Swift, Attorneys at Law, P.L.L.C.

(56) **References Cited**

(57) **CLAIM**

U.S. PATENT DOCUMENTS

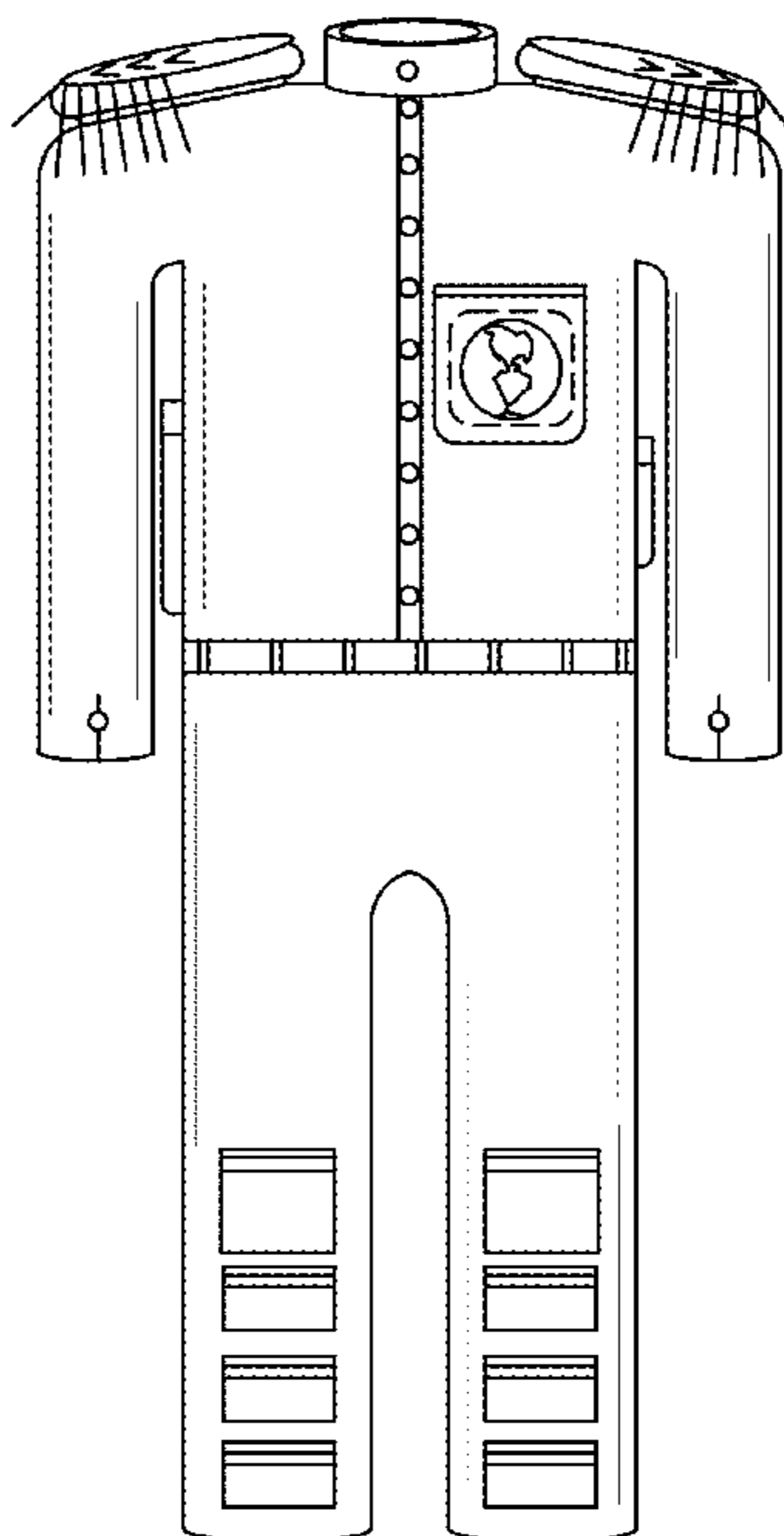
The ornamental design for a sweater suit, as shown and described.

3,213,456 A	10/1965	Korvin	
3,296,626 A	1/1967	Ludwikowski	
3,431,560 A	3/1969	Austin	
4,475,252 A	10/1984	Peyser et al.	
5,014,359 A	5/1991	Hanson	
D353,478 S	12/1994	Bowens et al.	
5,717,999 A	2/1998	Lurry	
D438,692 S	3/2001	Digby	
D456,590 S	5/2002	Gerson	
D511,237 S	11/2005	Johnson et al.	
7,376,979 B2	5/2008	Nilsen	
D573,312 S *	7/2008	Siepmann	D2/743
D581,134 S	11/2008	Williams	
D592,379 S	5/2009	Harrison	
D770,134 S *	11/2016	Luevano, III	D2/743
D855,288 S *	8/2019	Goldfine	D2/743
2020/0305517 A1 *	10/2020	Cason	A41D 27/205

DESCRIPTION

FIG. 1 is a front perspective view of a sweater suit showing the preferred embodiment of my new design; FIG. 2 is a front elevation view thereof; FIG. 3 is a rear elevation view thereof; FIG. 4 is a top plan view thereof; FIG. 5 is a left side elevation view thereof; FIG. 6 is a right side elevation view thereof; and, FIG. 7 is a bottom plan view thereof. The broken lines in the drawings depict portions of the sweater suit that form no part of the claimed design.

1 Claim, 7 Drawing Sheets



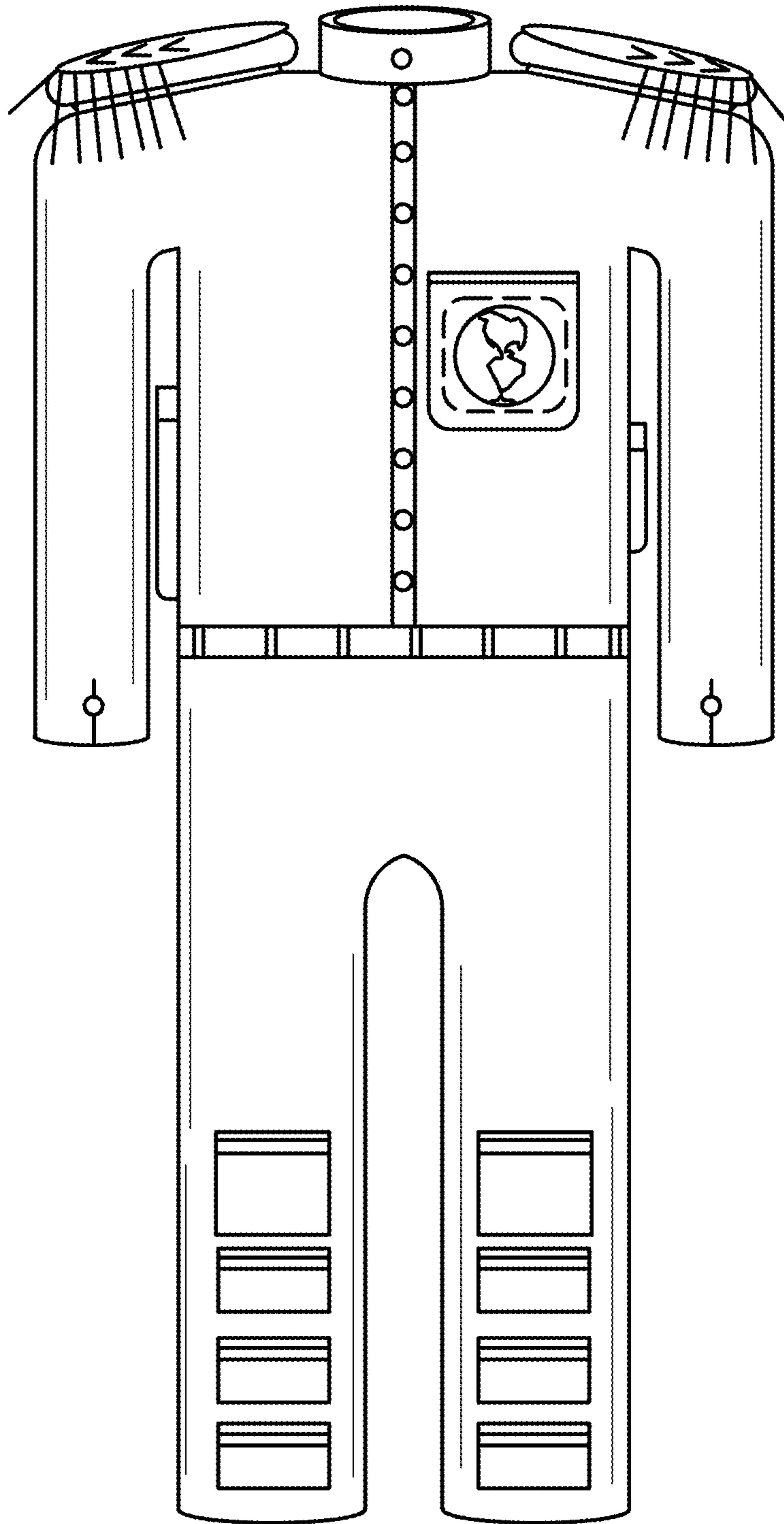


FIG. 1

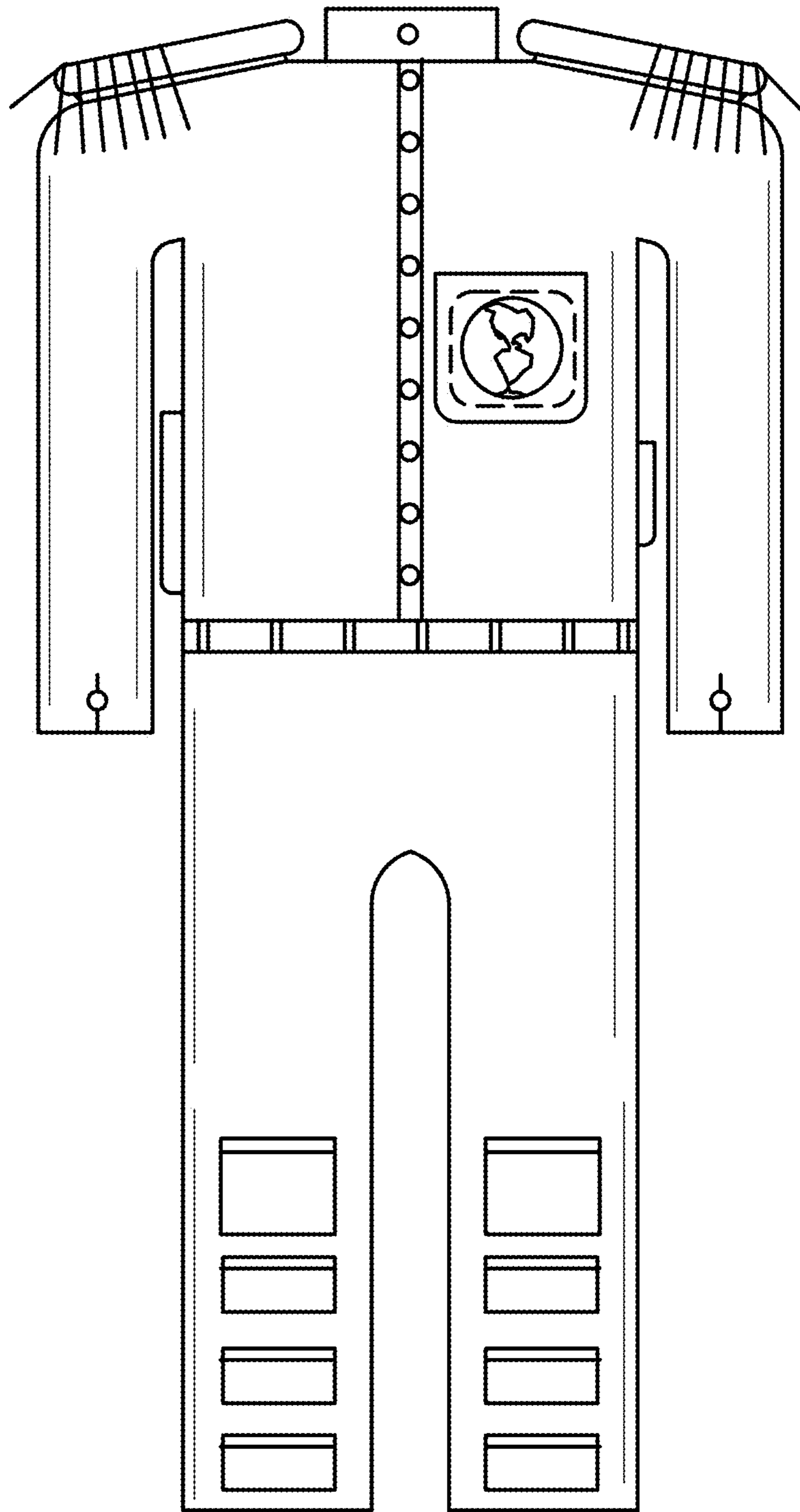


FIG. 2

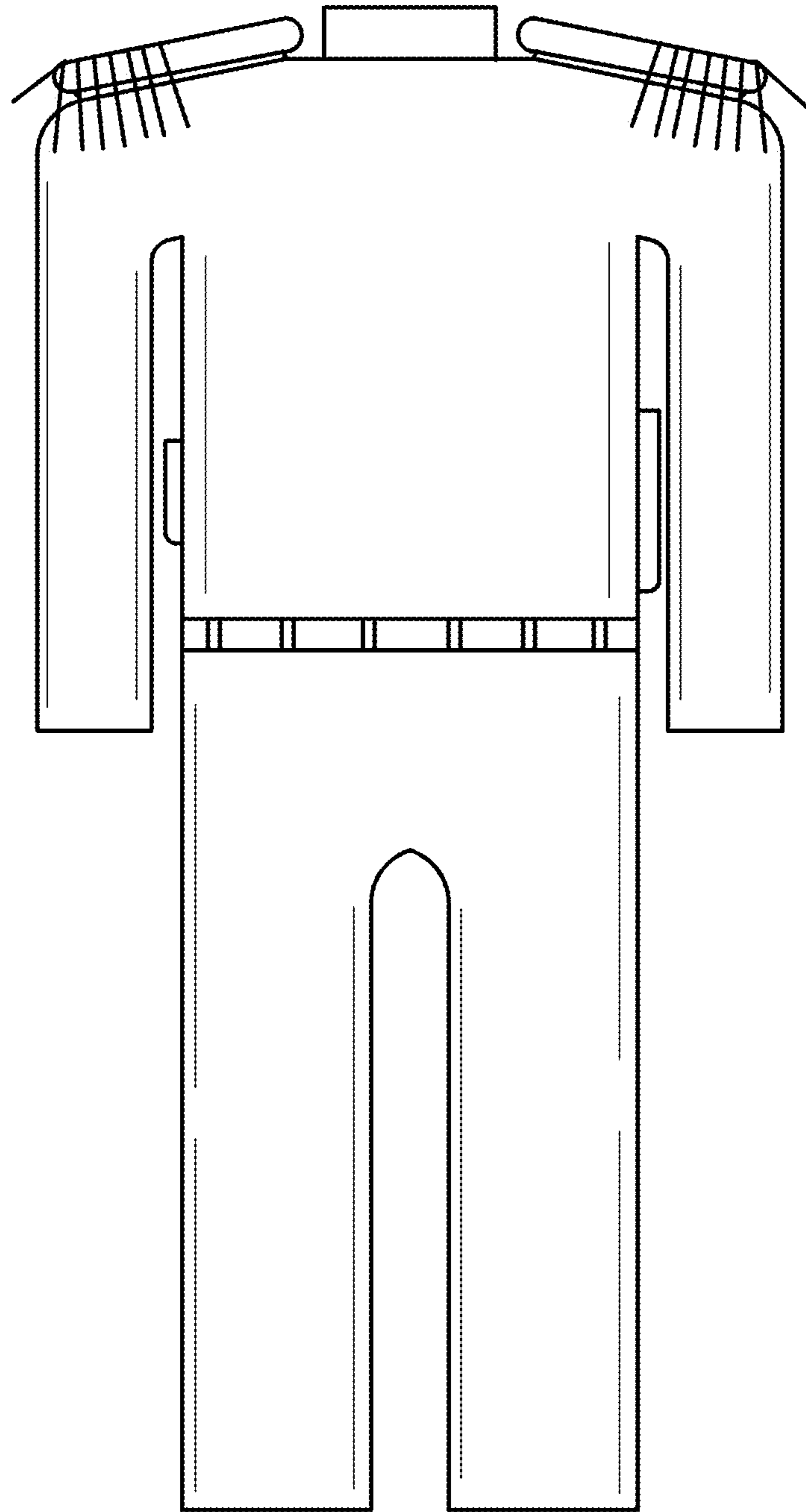


FIG. 3

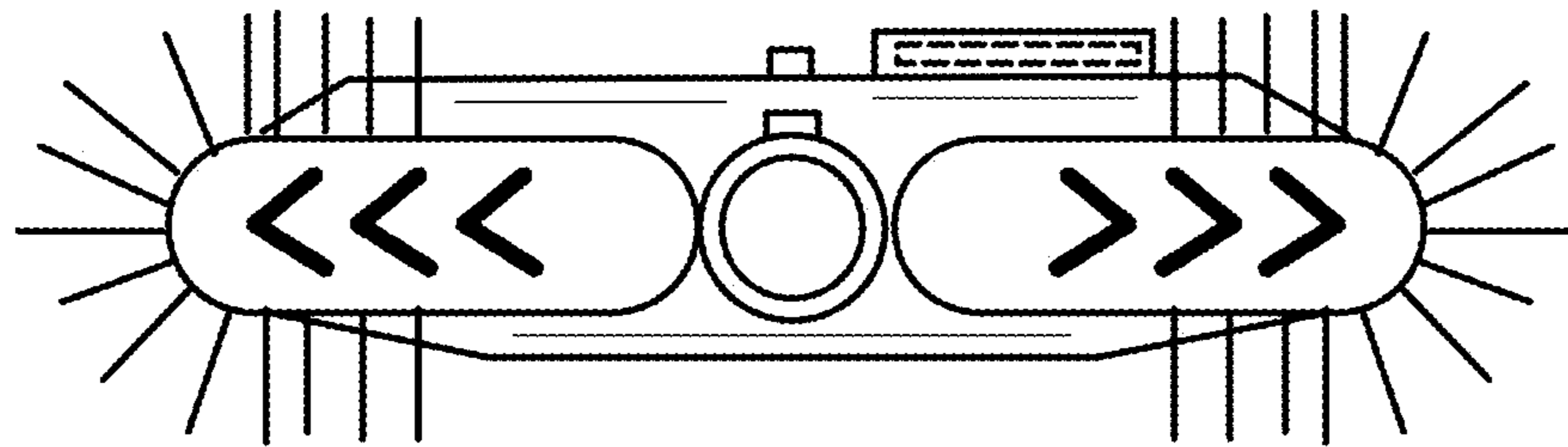


FIG. 4

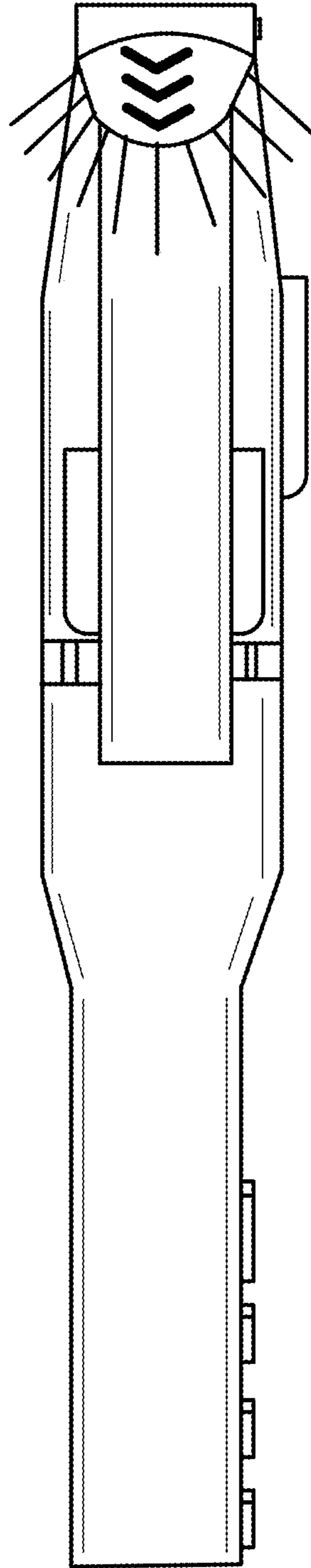


FIG. 5

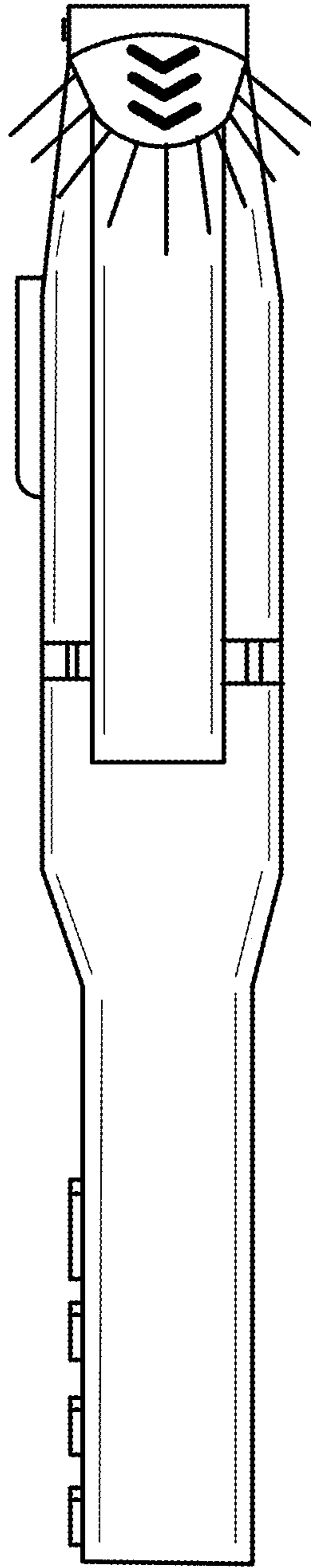


FIG. 6

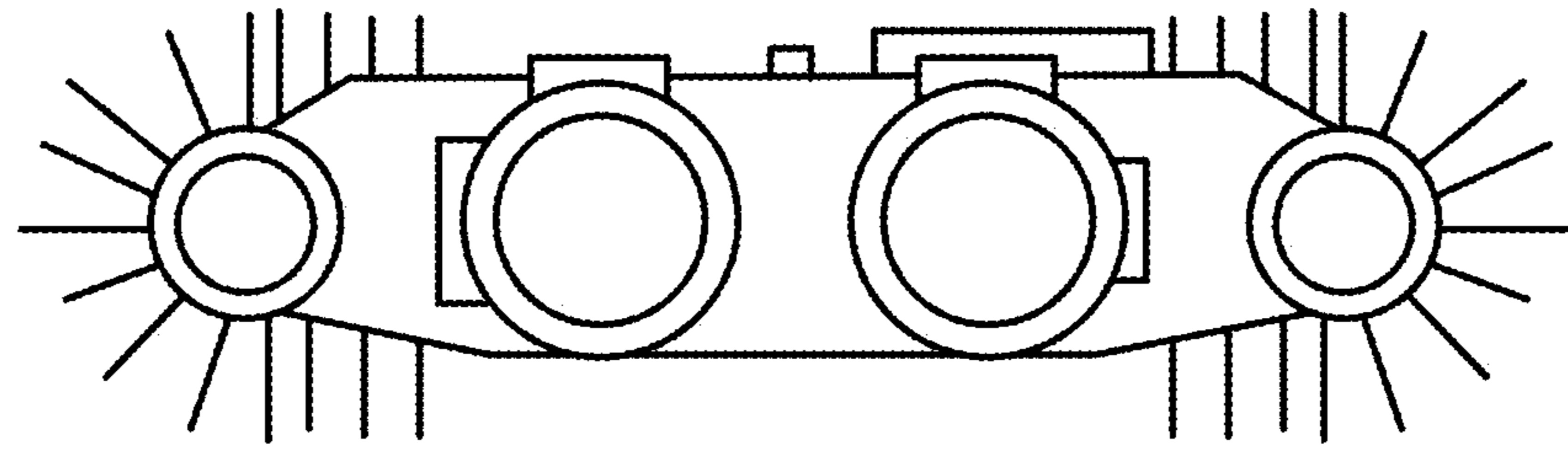


FIG. 7