



US00D960510S

(12) **United States Design Patent** (10) **Patent No.:** **US D960,510 S**
Ji (45) **Date of Patent:** **** Aug. 16, 2022**

(54) **PANTS**

(71) Applicant: **Min Sik Ji**, Ansan-si (KR)

(72) Inventor: **Min Sik Ji**, Ansan-si (KR)

(**) Term: **15 Years**

(21) Appl. No.: **29/768,426**

(22) Filed: **Jan. 29, 2021**

(30) **Foreign Application Priority Data**

Jul. 30, 2020 (KR) 30-2020-0035405

(51) **LOC (13) Cl.** **02-02**

(52) **U.S. Cl.**
USPC **D2/742; D2/731**

(58) **Field of Classification Search**
USPC D2/742, 731, 728, 712
CPC A41D 1/06; A41D 1/065; A41D 1/08
See application file for complete search history.

(56) **References Cited**

U.S. PATENT DOCUMENTS

D360,971 S *	8/1995	Speth	D2/705
D378,317 S *	3/1997	Wike	D2/742
D400,338 S *	11/1998	Maves	D2/742
D855,938 S *	8/2019	Streifel	D2/742
D877,456 S *	3/2020	Gebel	D2/742
2015/0327605 A1 *	11/2015	Tippett	A41B 9/08 2/212

OTHER PUBLICATIONS

2XU Womens Flex 3" Short with 70D ¾ Compression Tights, posted Jun. 23, 2016 [online], (retrieved Apr. 20, 2022). Retrieved from the internet, <https://www.amazon.com/2XU-Womens-Short-Compression-Tights/dp/B01AUHMP21?th=1> (Year: 2016).*

MECH-ENG Men's Running Training 2 in 1 Compression, posted Aug. 9, 2019 [online], (retrieved Apr. 20, 2022). Retrieved from the internet, https://www.amazon.com/dp/B07W4VFSZ8/ref=sspa_dk_detail_1?pd_rd_i=B07W97PGPC&pd_rd_w=7IYLh&pf_rd_p=57cbdc41-b731-4e3d-aca7-49%E2%80%A6 (Year: 2019).*

* cited by examiner

Primary Examiner — Kevin K Rudzinski

Assistant Examiner — J. Thorn, Sr.

(74) *Attorney, Agent, or Firm* — Patent Office of Dr. Chung Park

(57) **CLAIM**

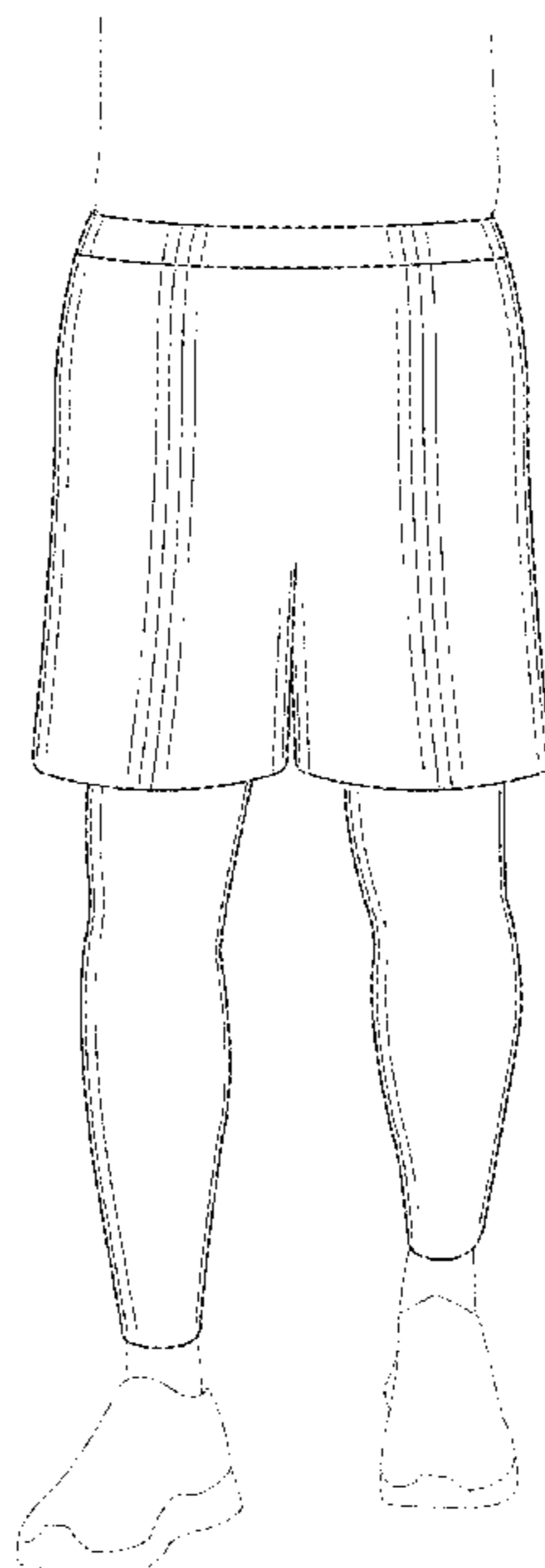
The ornamental design for pants, as shown and described.

DESCRIPTION

FIG. 1 is an environmental view of pants of the claimed invention, showing as they would be worn by a wearer; FIG. 2 is a front perspective view of the pants; FIG. 3 is a front elevational view of the pants; FIG. 4 is a rear elevational view of the pants; FIG. 5 is a top plan view of the pants; FIG. 6 is a bottom plan view of the pants; FIG. 7 is a right side elevational view of the pants; FIG. 8 is a left side elevational view of the pants; FIG. 9 is a front view of the pants inside out; FIG. 10 is a rear view of the pants inside out; and, FIG. 11 is an exploded view of the pants, wherein a crotch area of the inner layer of the pants is cut out to enhance breathability.

The dash-dot lines shown in the figures are for illustrative purpose of illustrating environment and form no part of the claimed design.

1 Claim, 9 Drawing Sheets



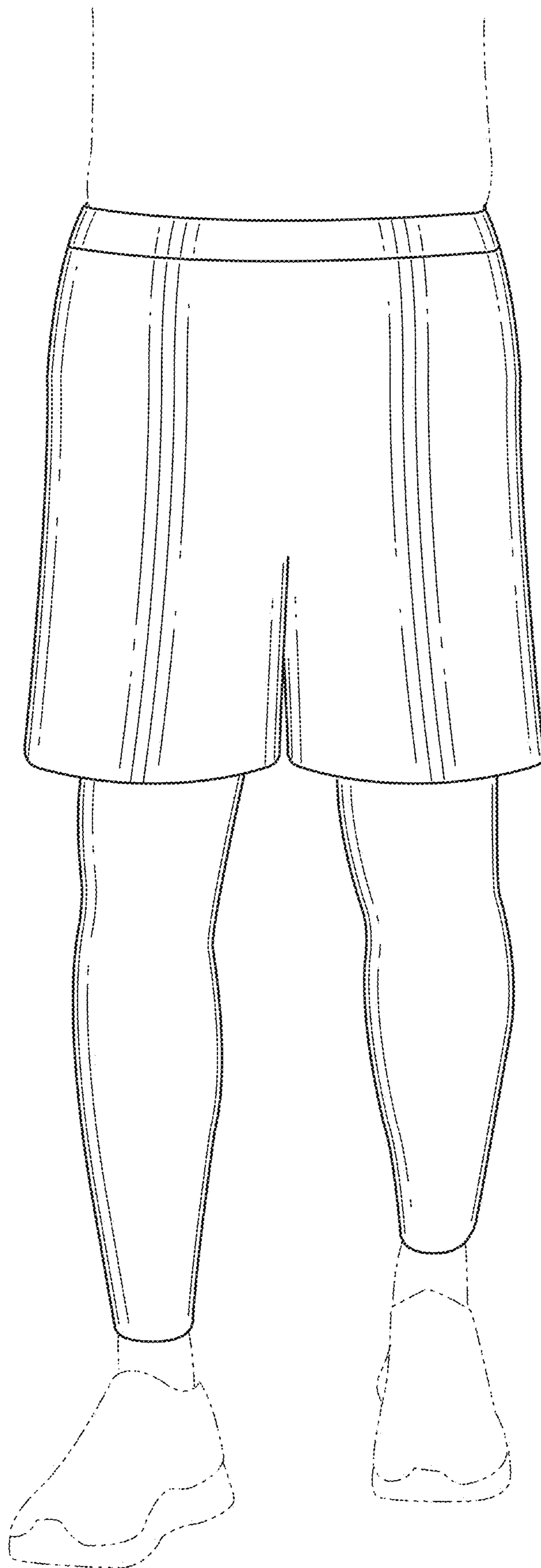


FIG. 1

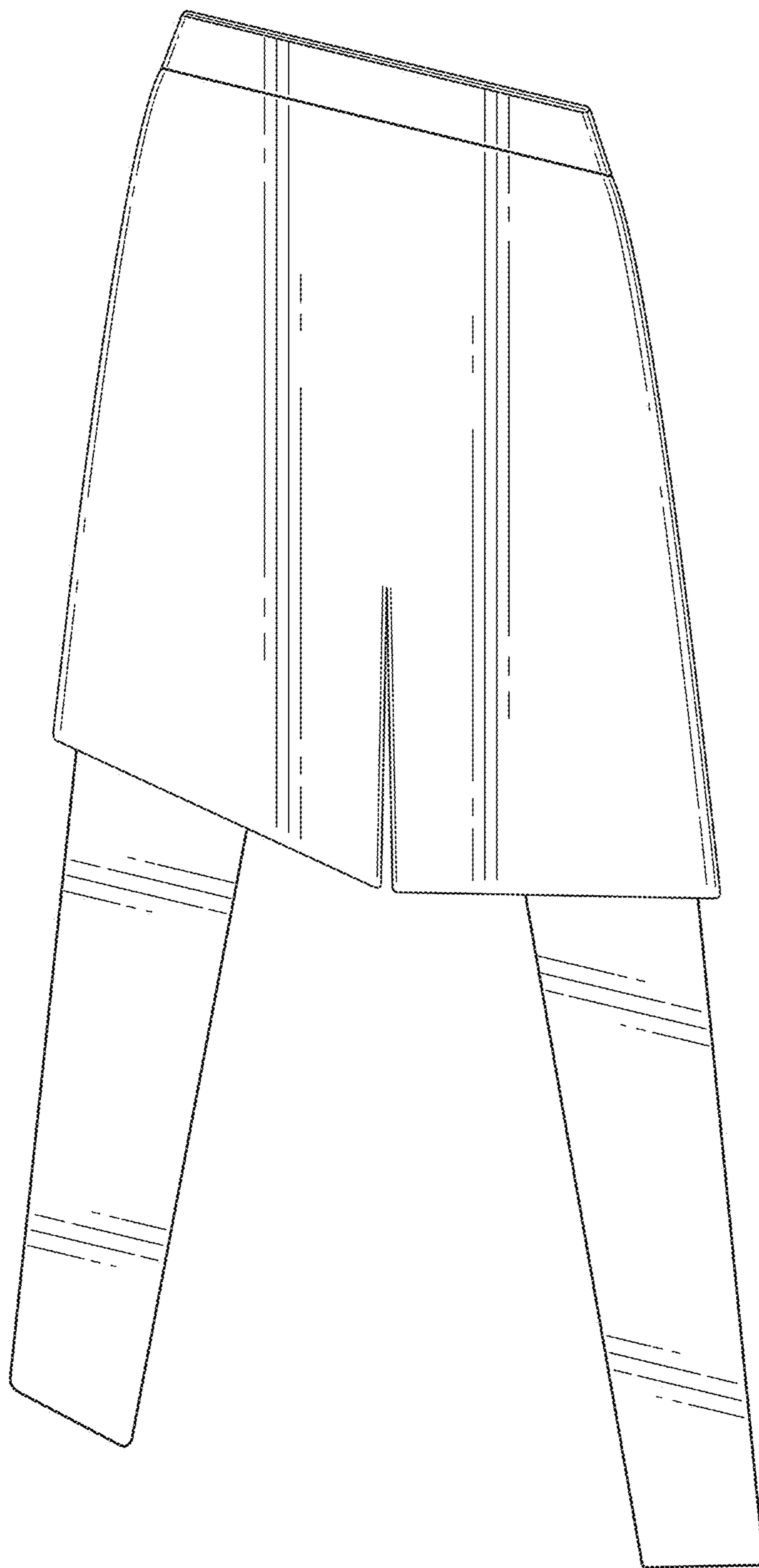


FIG. 2

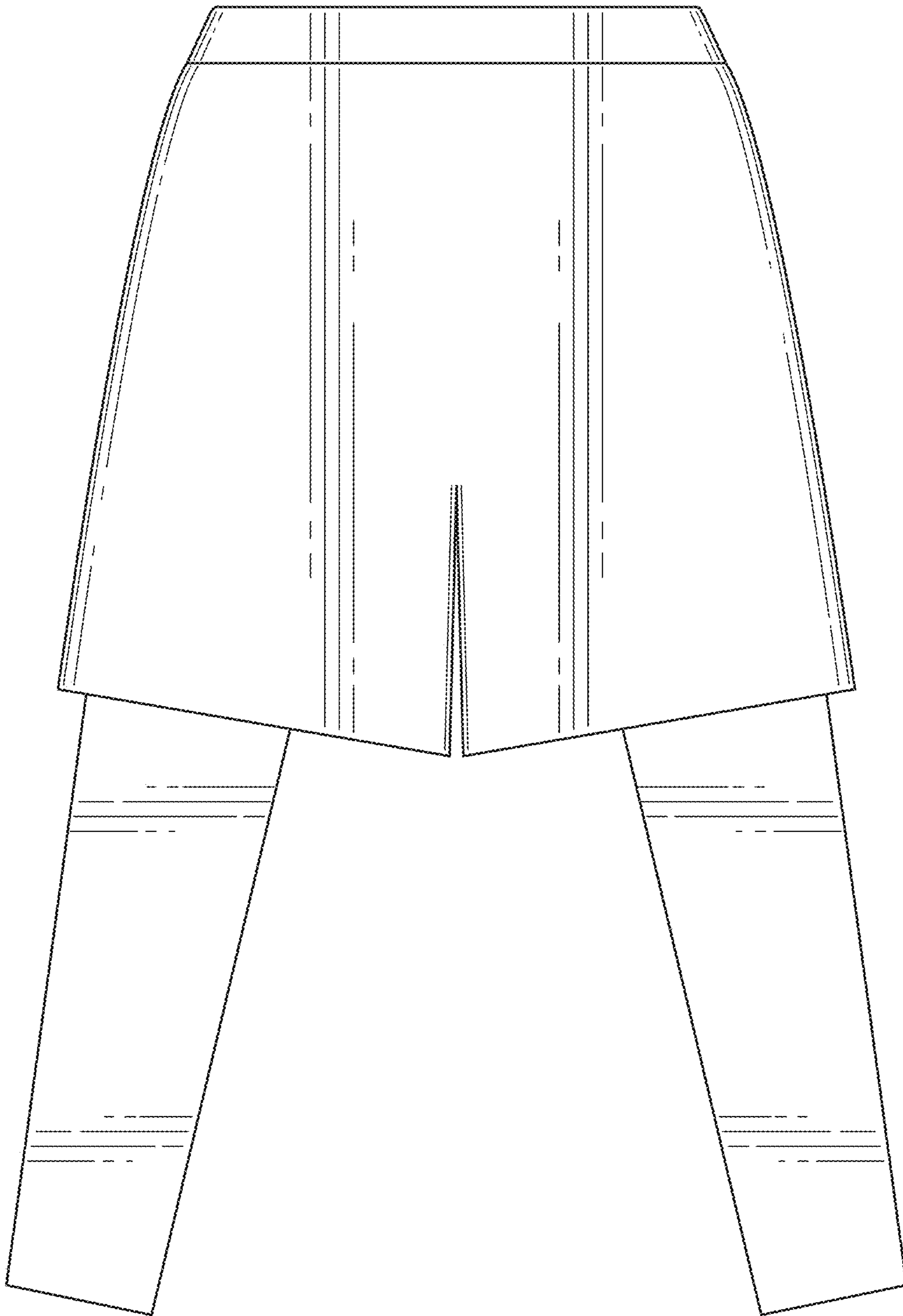


FIG. 3

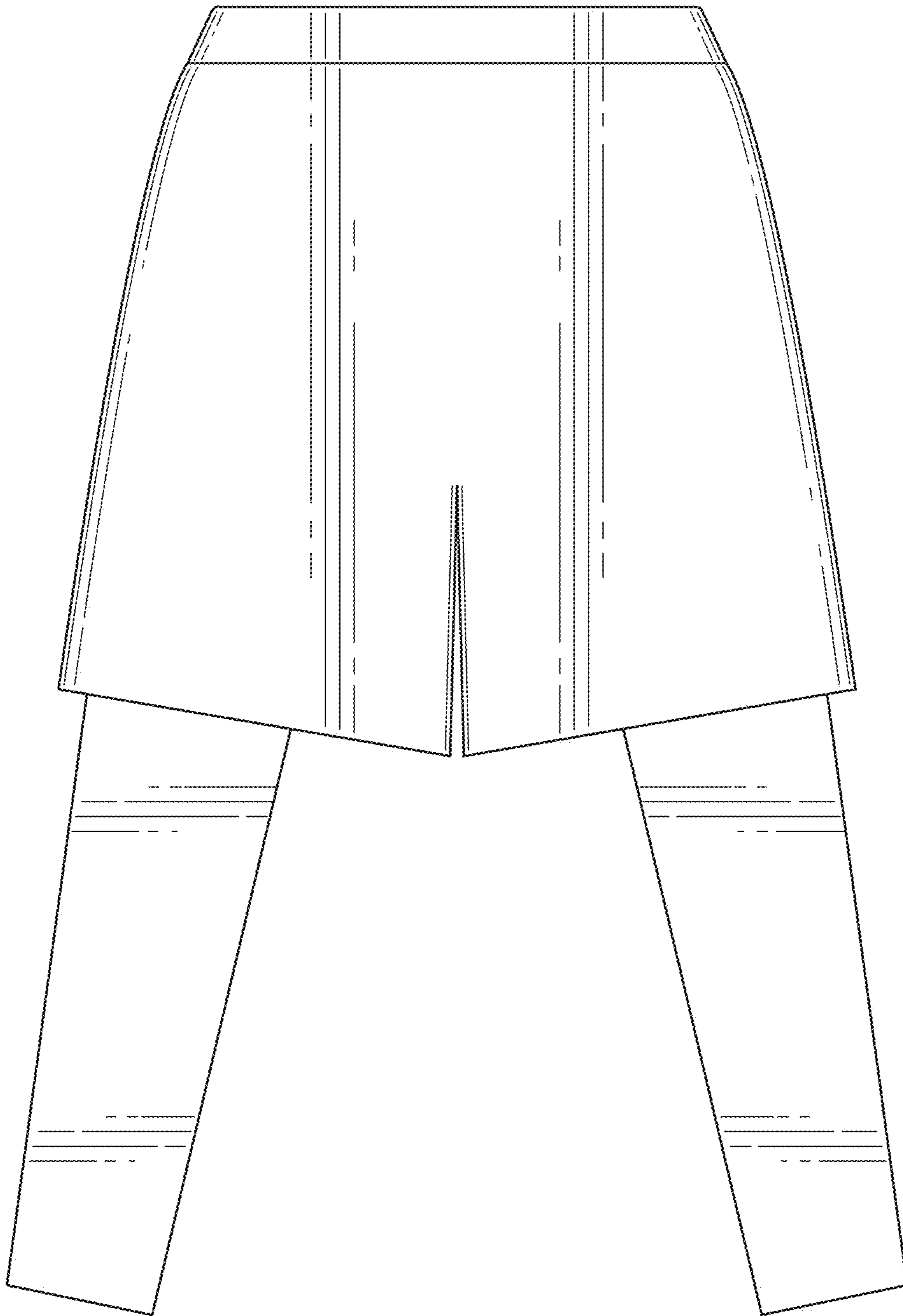


FIG. 4

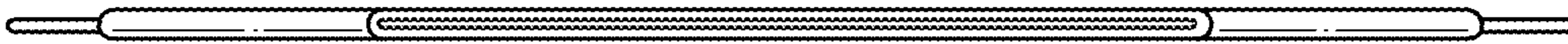


FIG. 5



FIG. 6

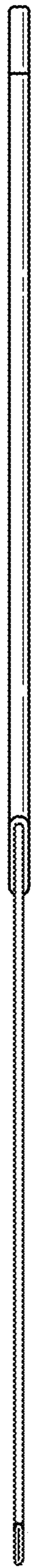


FIG. 7

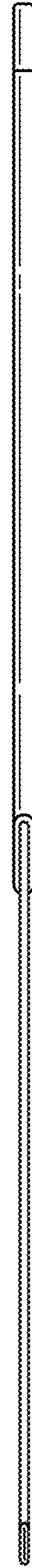


FIG. 8

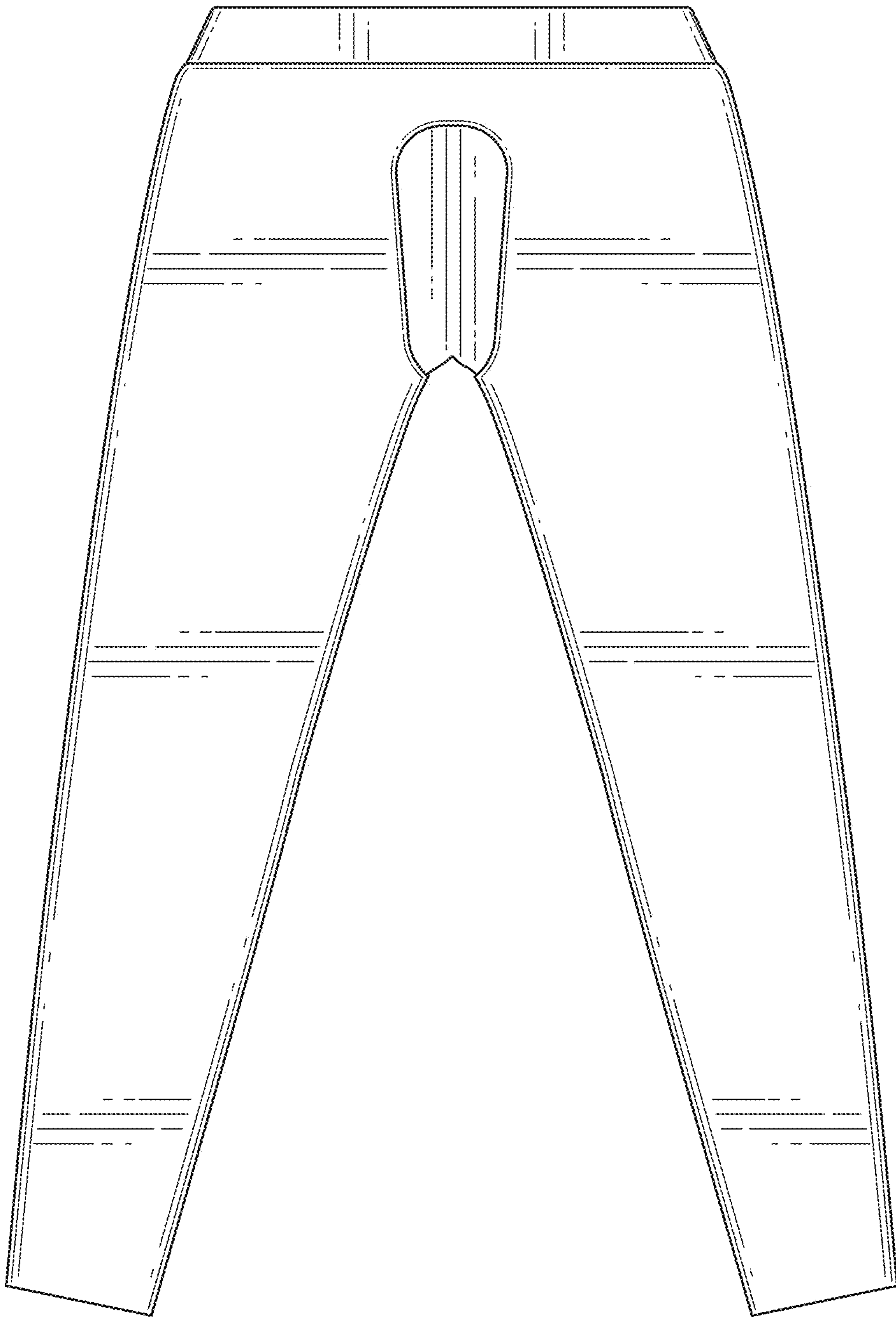


FIG. 9

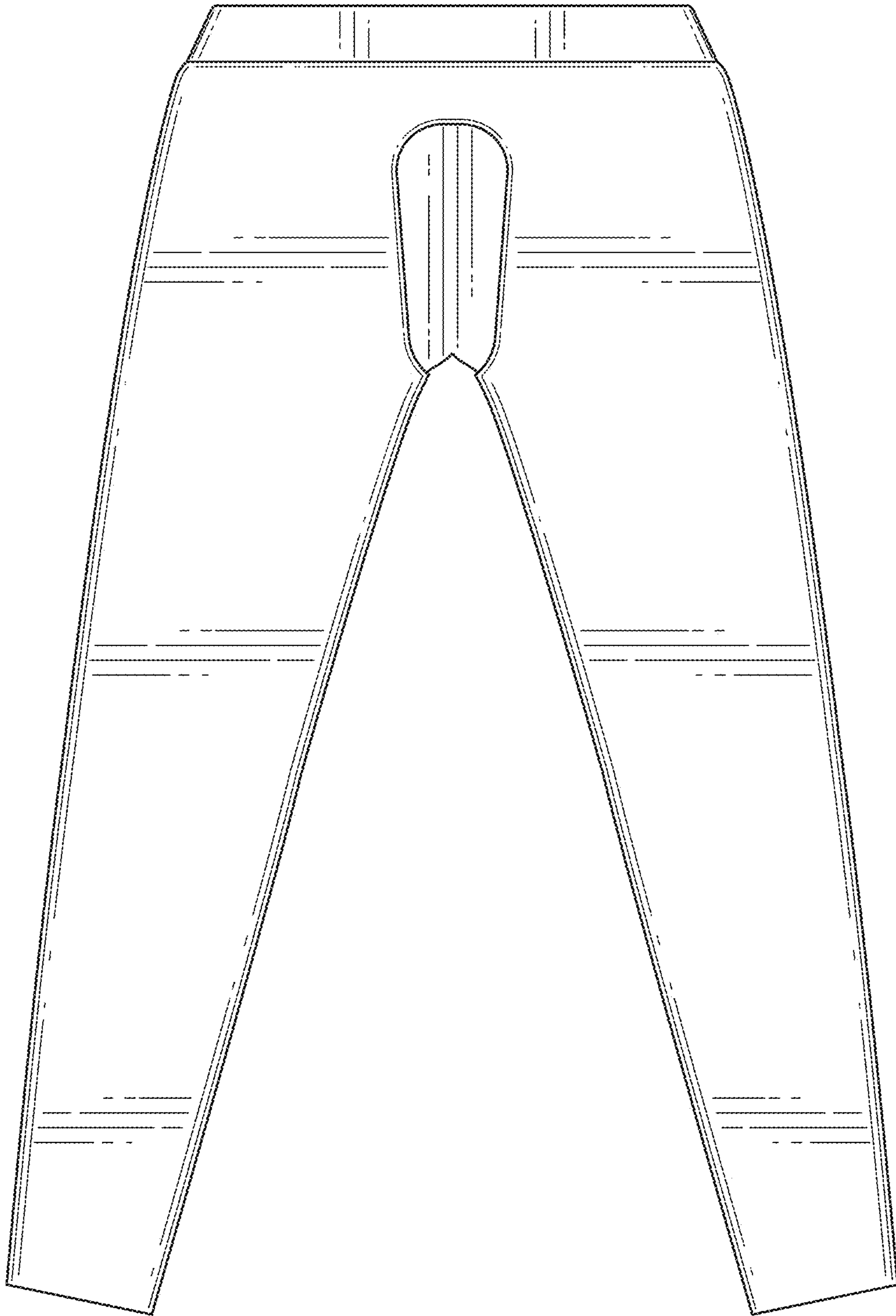


FIG. 10

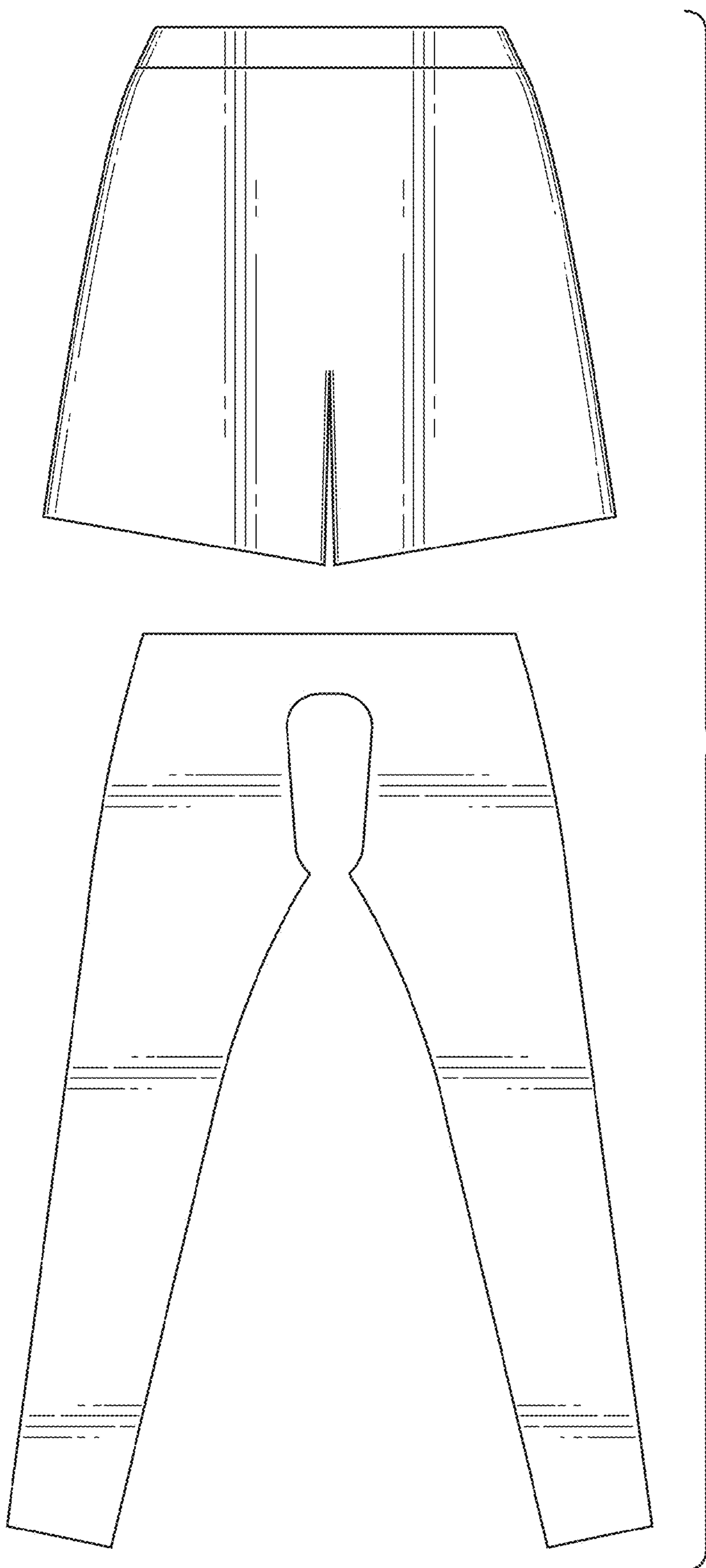


FIG. 11