



US00D960502S

(12) **United States Design Patent** (10) **Patent No.:** **US D960,502 S**
Hasson (45) **Date of Patent:** **** Aug. 16, 2022**

(54) **SCRUB PANTS**

(71) Applicant: **FIGS, INC.**, Santa Monica, CA (US)
(72) Inventor: **Heather Leigh Hasson**, Santa Monica, CA (US)
(73) Assignee: **FIGS, INC.**, Santa Monica, CA (US)
(**) Term: **15 Years**

(21) Appl. No.: **29/704,070**

(22) Filed: **Aug. 30, 2019**

(51) **LOC (13) Cl.** **02-02**

(52) **U.S. Cl.**
USPC **D2/742**

(58) **Field of Classification Search**
USPC D2/742, 731, 739
CPC A41D 1/06; A41D 13/1254
See application file for complete search history.

(56) **References Cited**

U.S. PATENT DOCUMENTS

D610,329 S *	2/2010	Prechel	D2/742
D665,559 S *	8/2012	Ridge	D2/742
D766,545 S *	9/2016	Grosbol	D2/742
D766,546 S *	9/2016	Grosbol	D2/742
D780,404 S *	3/2017	Grosbol	D2/742
D783,941 S *	4/2017	Suarez	D2/742
D838,933 S *	1/2019	Van Der Leden	D2/739
D852,461 S *	7/2019	Grosbol	D2/742
D891,039 S *	7/2020	Burchette	D2/742
D907,331 S *	1/2021	Miller	D2/742
D934,535 S *	11/2021	Greene	D2/742
2005/0251896 A1 *	11/2005	Donlan	A41D 1/06
				2/269
2020/0359722 A1 *	11/2020	Cleghorn	A41D 27/201

OTHER PUBLICATIONS

Women's Rib Knit Drawstring Waist Scrub Pant, posted as early Apr. 26, 2018 [online], (retrieved May 13, 2021). Retrieved from the internet, <https://www.allheart.com/cherokee/infinity-by-cherokee/womens/womens-rib-knit-drawstring-waist-scrub-pant/ck1123a.html> (Year: 2018).*

Mim's Teal Jogger Scrub Pants, posted as early Nov. 18, 2018 [online], (retrieved May 13, 2021). Retrieved from the internet, <https://mimscrubs.com/collections/women-jogger-scrub-pants/products/womens-teal-jogger-scrub-pants> (Year: 2018).*

* cited by examiner

Primary Examiner — Kevin K Rudzinski

Assistant Examiner — J. Thorn, Sr.

(74) *Attorney, Agent, or Firm* — Sterne, Kessler, Goldstein & Fox P.L.L.C.

(57) **CLAIM**

The ornamental design for scrub pants, as shown and described.

DESCRIPTION

FIG. 1 is a front view of scrub pants showing the claimed design;

FIG. 2 is a rear view thereof;

FIG. 3 is a left side view thereof;

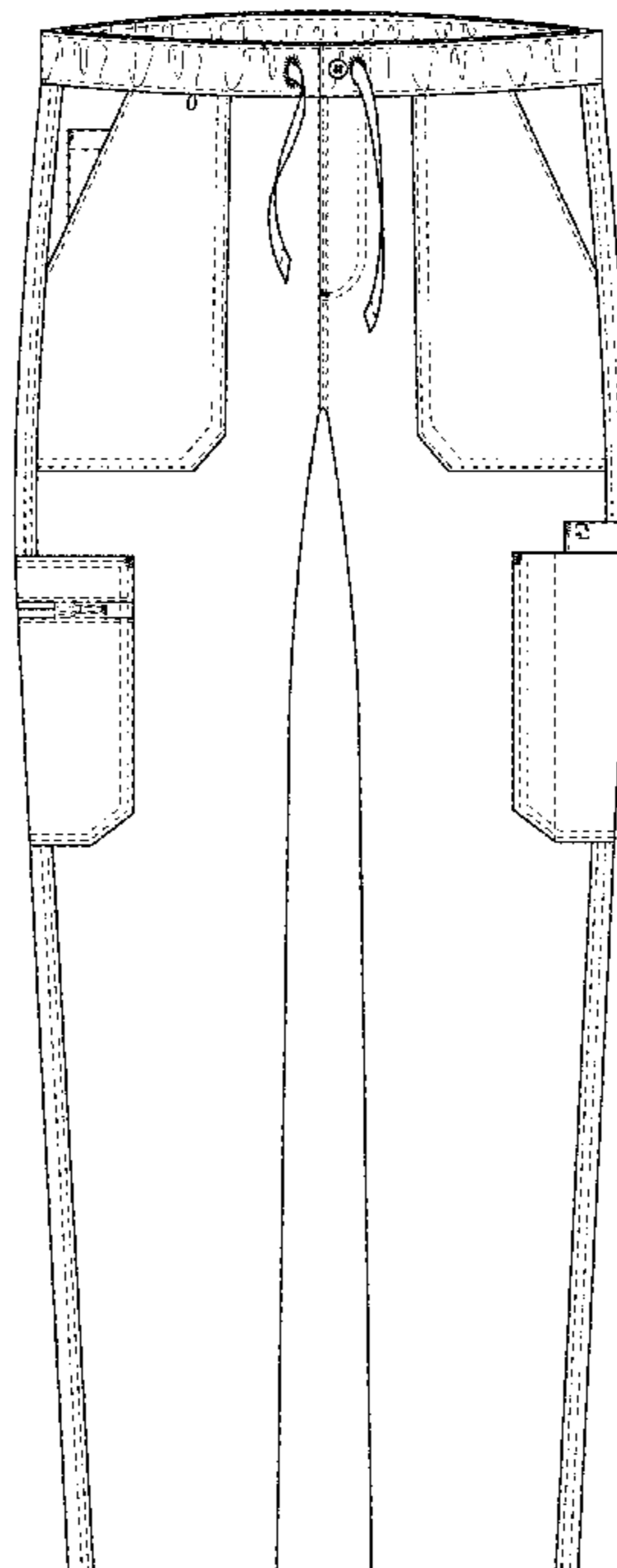
FIG. 4 is a right side view thereof; and,

FIG. 5 is a front perspective view thereof.

The dot-dash broken lines in the figures and the areas within the dot-dash broken lines show portions of the scrub pants that form no part of the claimed design.

The dashed broken lines show a stitching pattern. The dashed broken lines form part of the claimed design.

1 Claim, 5 Drawing Sheets



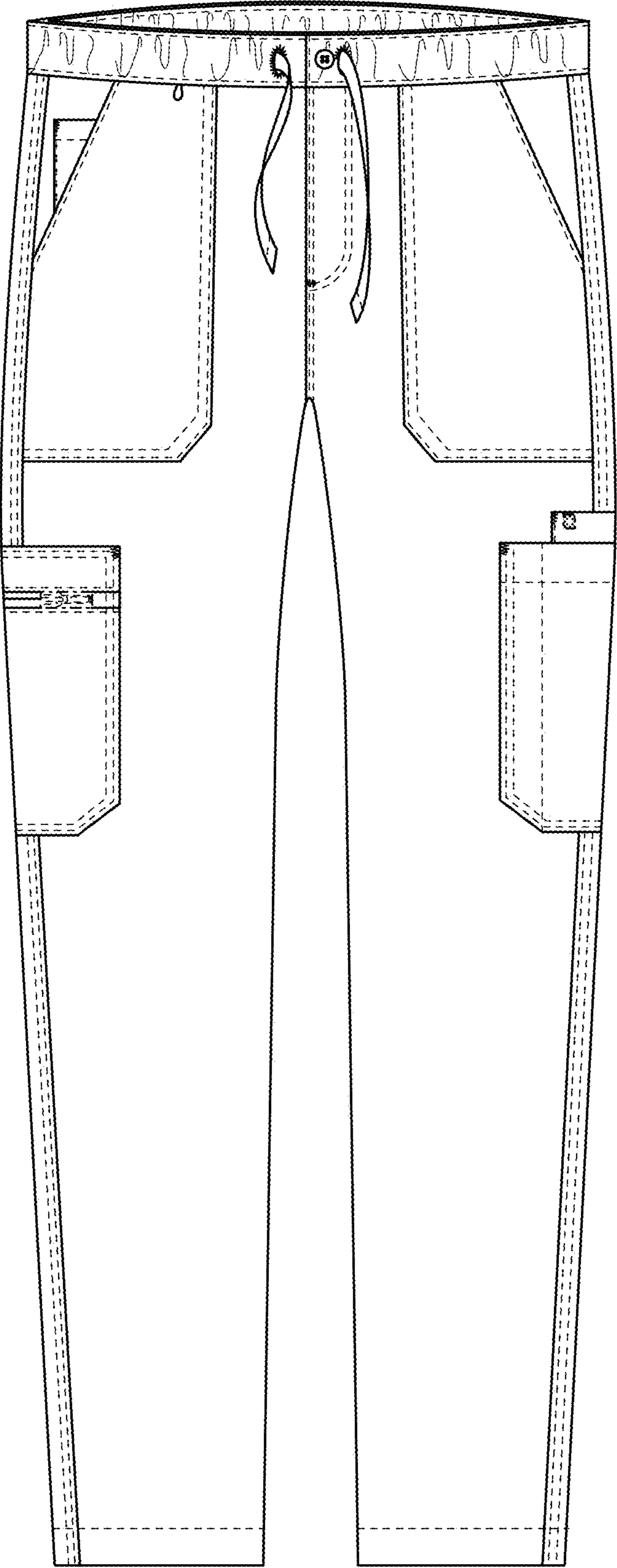


FIG. 1

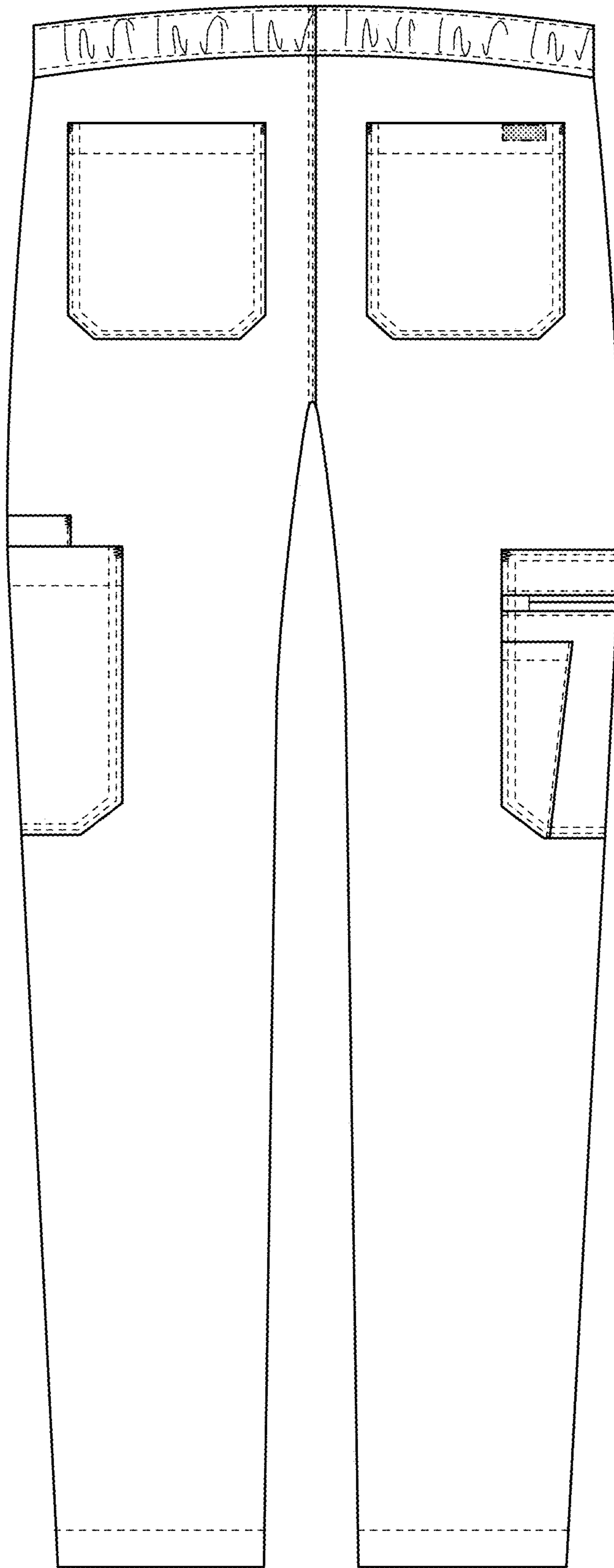


FIG. 2

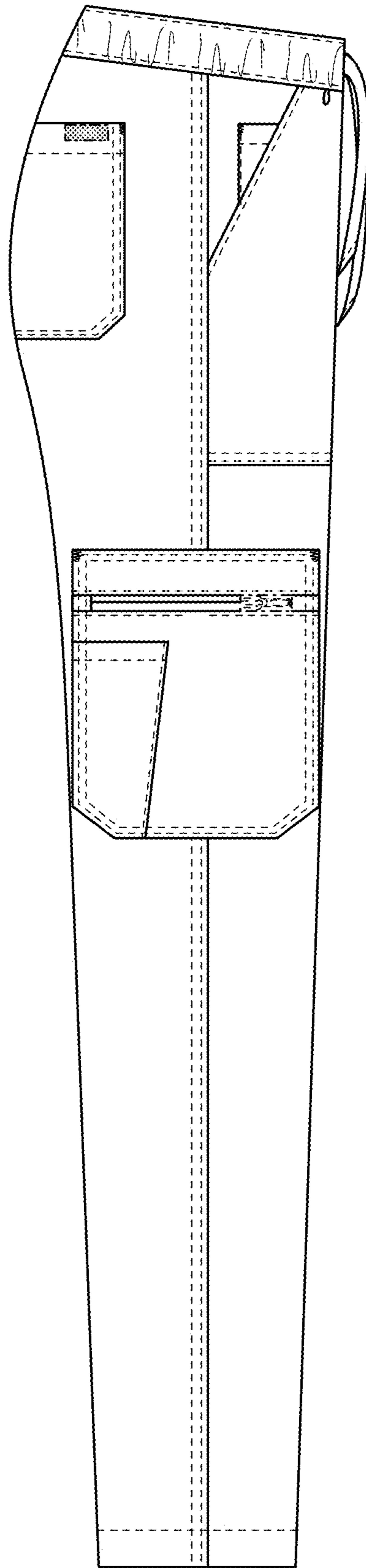


FIG. 3

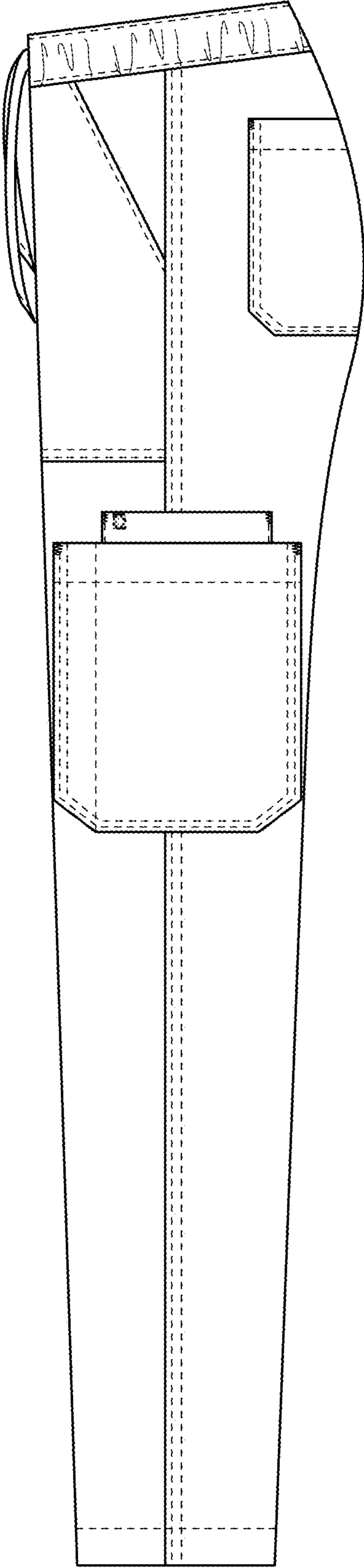


FIG. 4

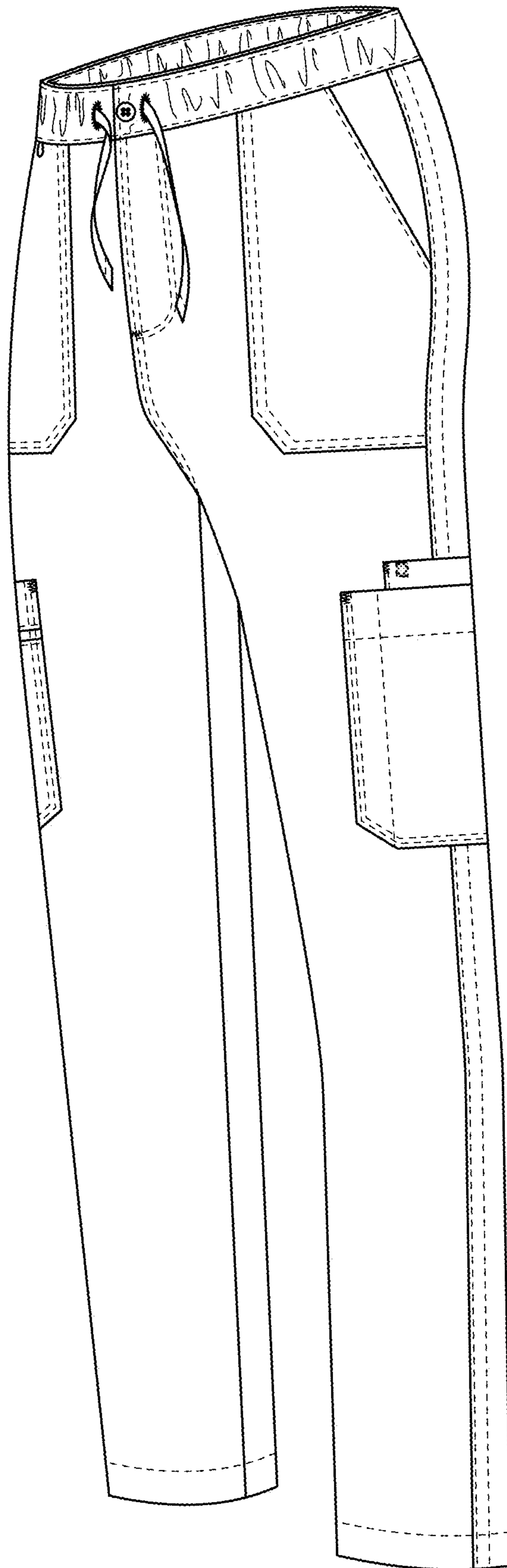


FIG. 5