



US00D960485S

(12) **United States Design Patent** (10) **Patent No.:** **US D960,485 S**
Gibson (45) **Date of Patent:** **** Aug. 9, 2022**

(54) **COLUMBARIUM DOOR**

DESCRIPTION

(71) Applicant: **GESTION MORIN ET GIBSON INC.**, Rouyn-Noranda (CA)
(72) Inventor: **Normand Gibson**, Rouyn-Noranda (CA)
(73) Assignee: **GESTION MORIN ET GIBSON INC.**, Rouyn-Noranda (CA)
(**) Term: **15 Years**
(21) Appl. No.: **35/511,031**
(22) Filed: **Jun. 23, 2020**
(80) **Hague Agreement Data**
Int. Filing Date: **Jun. 23, 2020**
Int. Reg. No.: **DM/211332**
Int. Reg. Date: **Jun. 23, 2020**
Int. Reg. Pub. Date: **Dec. 25, 2020**
(51) **LOC (13) Cl.** **25-03**
(52) **U.S. Cl.**
USPC **D99/17**
(58) **Field of Classification Search**
USPC **D99/17-24; D25/48.1-48.8**
(Continued)

(56) **References Cited**

U.S. PATENT DOCUMENTS

D392,047 S * 3/1998 Davlantes D25/48.7
D490,909 S * 6/2004 Barnard D25/103
(Continued)

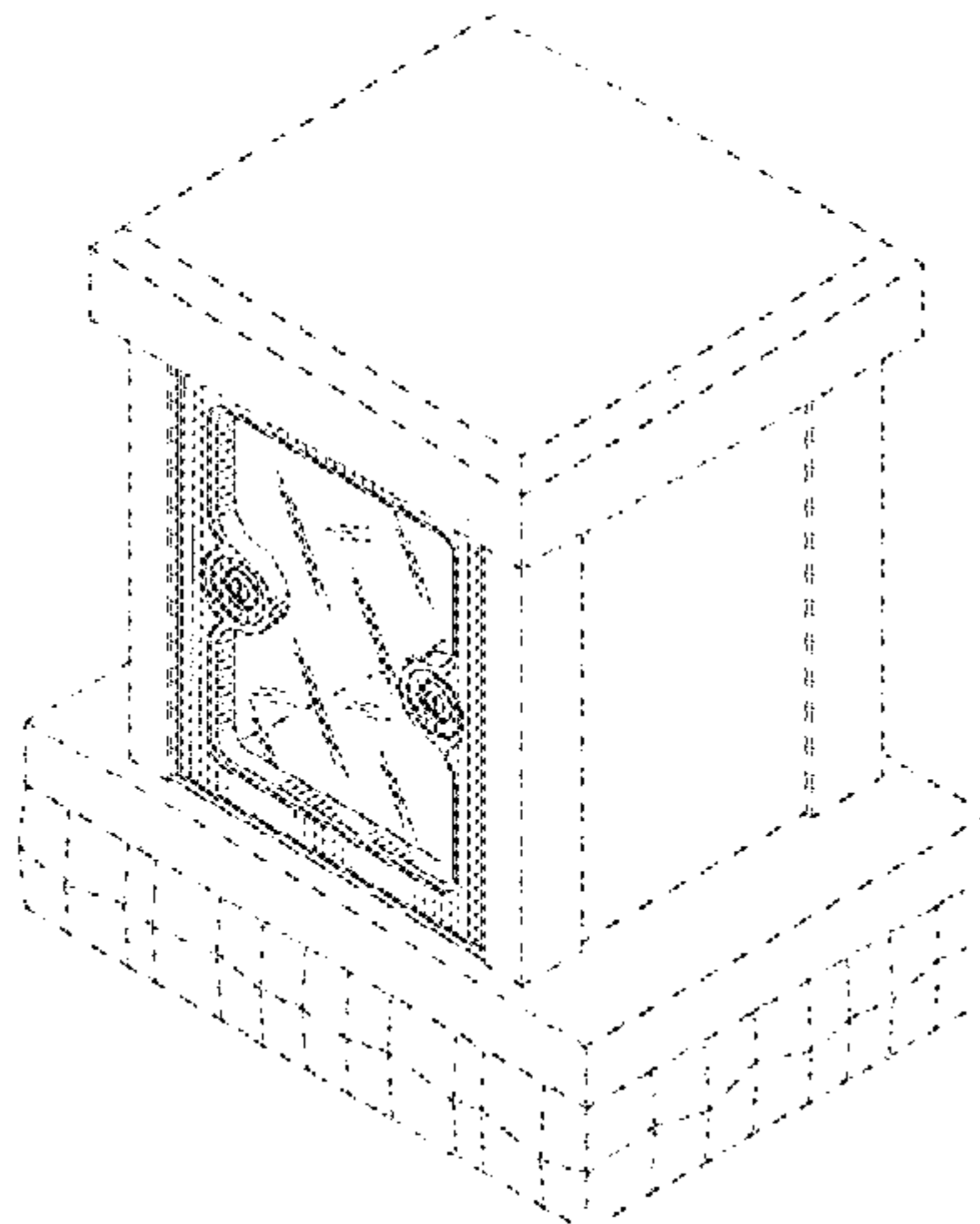
Primary Examiner — Khawaja Anwar
(74) *Attorney, Agent, or Firm* — Jacob M. Ward; Ward Law Office LLC

(57) **CLAIM**

The ornamental design for a columbarium door, as shown and described.

1. Columbarium door
2. Pair of columbarium doors
3. Set of three columbarium doors
1.1 : Perspective
1.2 : Top
1.3 : Front
1.4 : Right
1.5 : Back
1.6 : Bottom
2.1 : Perspective
2.2 : Top
2.3 : Front
2.4 : Right
2.5 : Back
2.6 : Bottom
3.1 : Perspective
3.2 : Top
3.3 : Front
3.4 : Right
3.5 : Bottom
3.6 : Back
1. The columbarium door, the pair of columbarium doors and the set of three columbarium doors for which protection is sought are shown in full lines, other portions of the columbariums are shown in dotted lines for context only and disclaimed; in the drawings: 1.1 is a perspective view of a columbarium door; 1.2 is a top plan view of the columbarium door being concealed; 1.3 is a front elevation view of the columbarium door; 1.4 is a right side elevation of the columbarium door being concealed; the other side elevation view is a mirror image and is not shown; 1.5 is a rear elevation view of the columbarium door being concealed; 1.6 is a bottom plan view of the columbarium door being concealed; 2.1 is a perspective view of a pair of columbarium doors according to a second variant; 2.2 is a top plan view of the pair of columbarium doors being concealed; 2.3 is a front elevation view of the pair of columbarium doors; 2.4 is a right side elevation view of the pair of columbarium doors being concealed; the other side elevation view is a mirror image and is not shown; 2.5 is a rear elevation of the pair of columbarium doors being concealed; 2.6 is a bottom plan view of the pair of columbarium doors being concealed;

(Continued)



3.1 is a perspective view of a set of three columbarium doors according to a third variant; 3.2 is a top plan view of the set of three columbarium doors being concealed; 3.3 is a front elevation of the set of three columbarium doors; 3.4 is a right side elevation of the set of three columbarium doors being concealed; the other side elevation view is a mirror image and is not shown; 3.5 is a rear elevation view of the set of three columbarium doors being concealed; and 3.6 is a bottom plan view of the set of three columbarium doors being concealed.

1 Claim, 18 Drawing Sheets

(58) **Field of Classification Search**

CPC ... E04H 13/006; E04H 13/008; E04H 13/003;
E04H 13/001; E04H 13/00; E04H 1/005;

A47F 11/10; A47F 7/283; A47F 3/00;
A47F 3/001; A47F 3/005; E06B
2009/2464; E06B 9/24; E06B 5/00

See application file for complete search history.

(56)

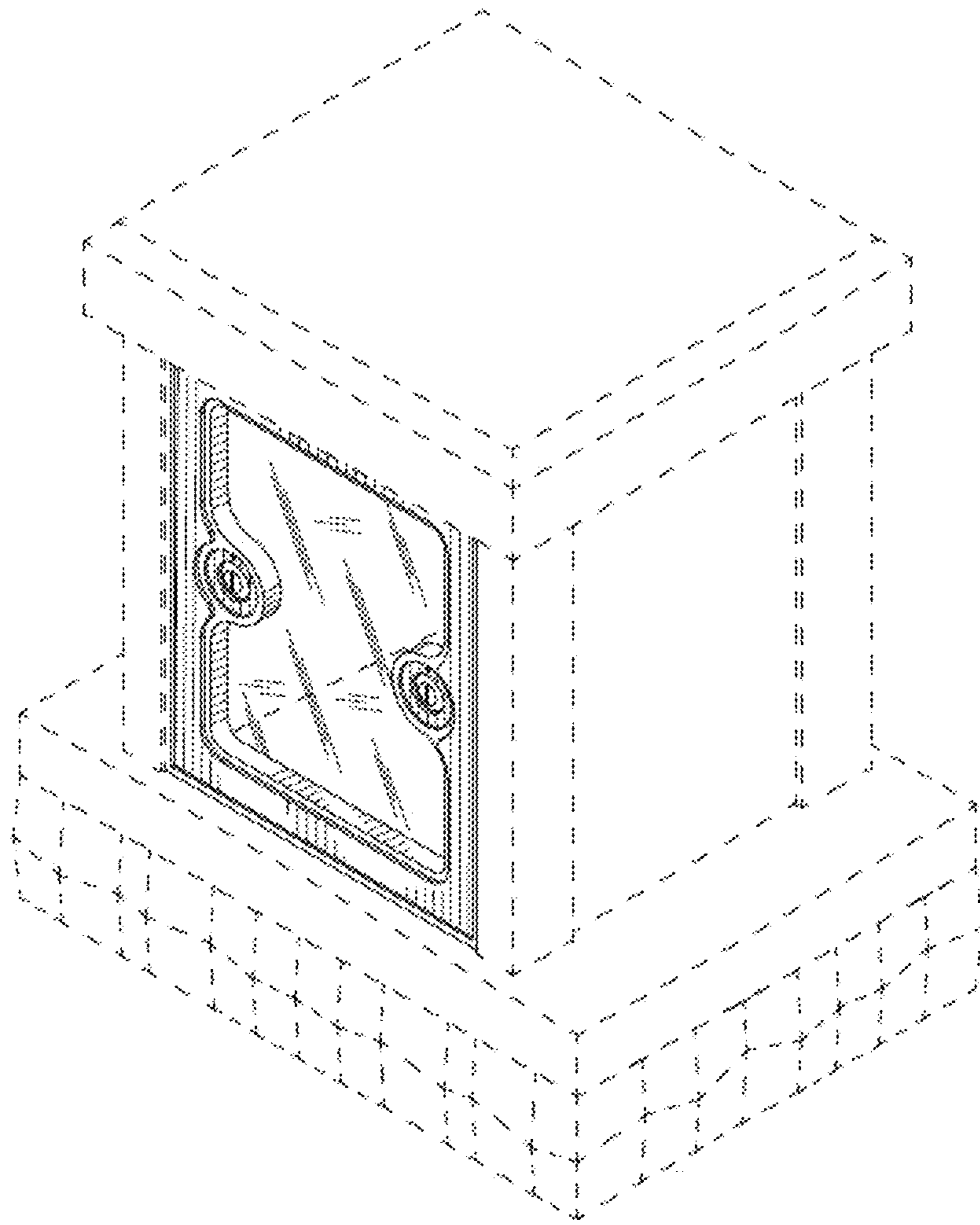
References Cited

U.S. PATENT DOCUMENTS

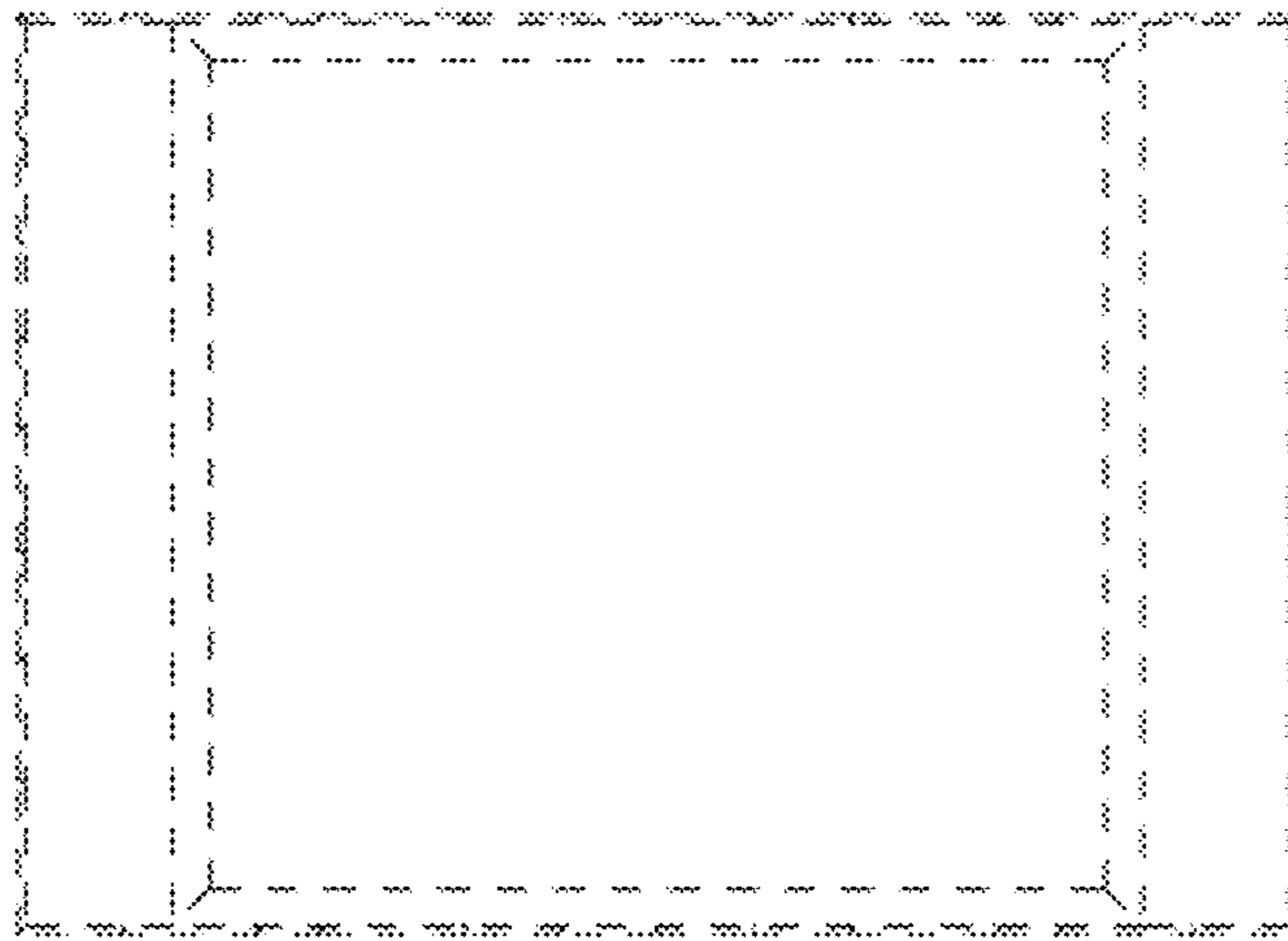
D491,278	S	*	6/2004	Barnard	D25/103
D495,064	S	*	8/2004	Barnard	D25/103
D497,677	S	*	10/2004	Barnard	D25/103
D506,010	S	*	6/2005	Barnard	D25/103
D506,835	S	*	6/2005	Barnard	D25/103
D510,442	S	*	10/2005	Barnard	D25/103
D617,007	S	*	6/2010	Kjærgaard	D25/48.7
D707,852	S	*	6/2014	Maringer	D25/48.7

* cited by examiner

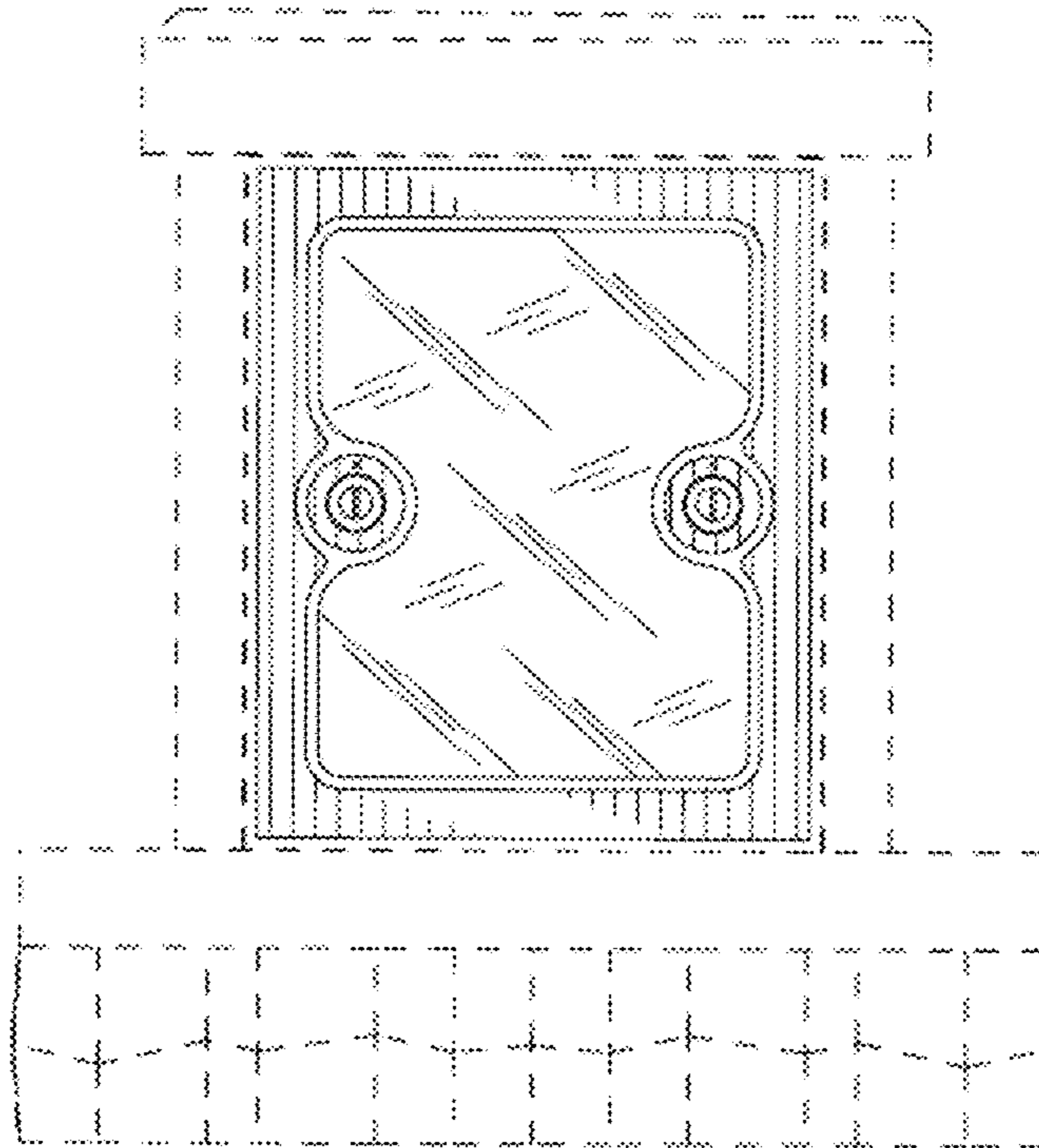
1.1



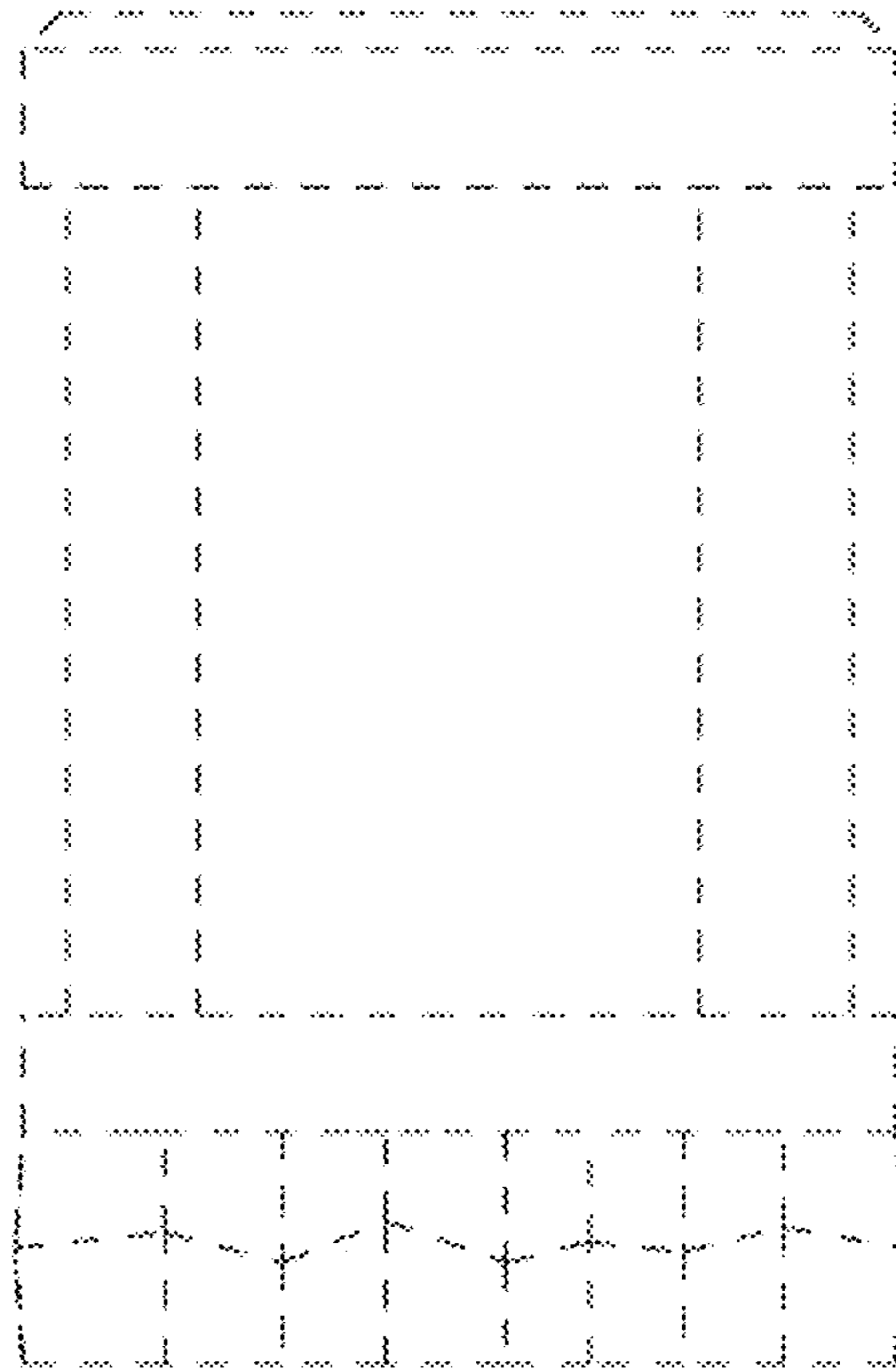
1.2



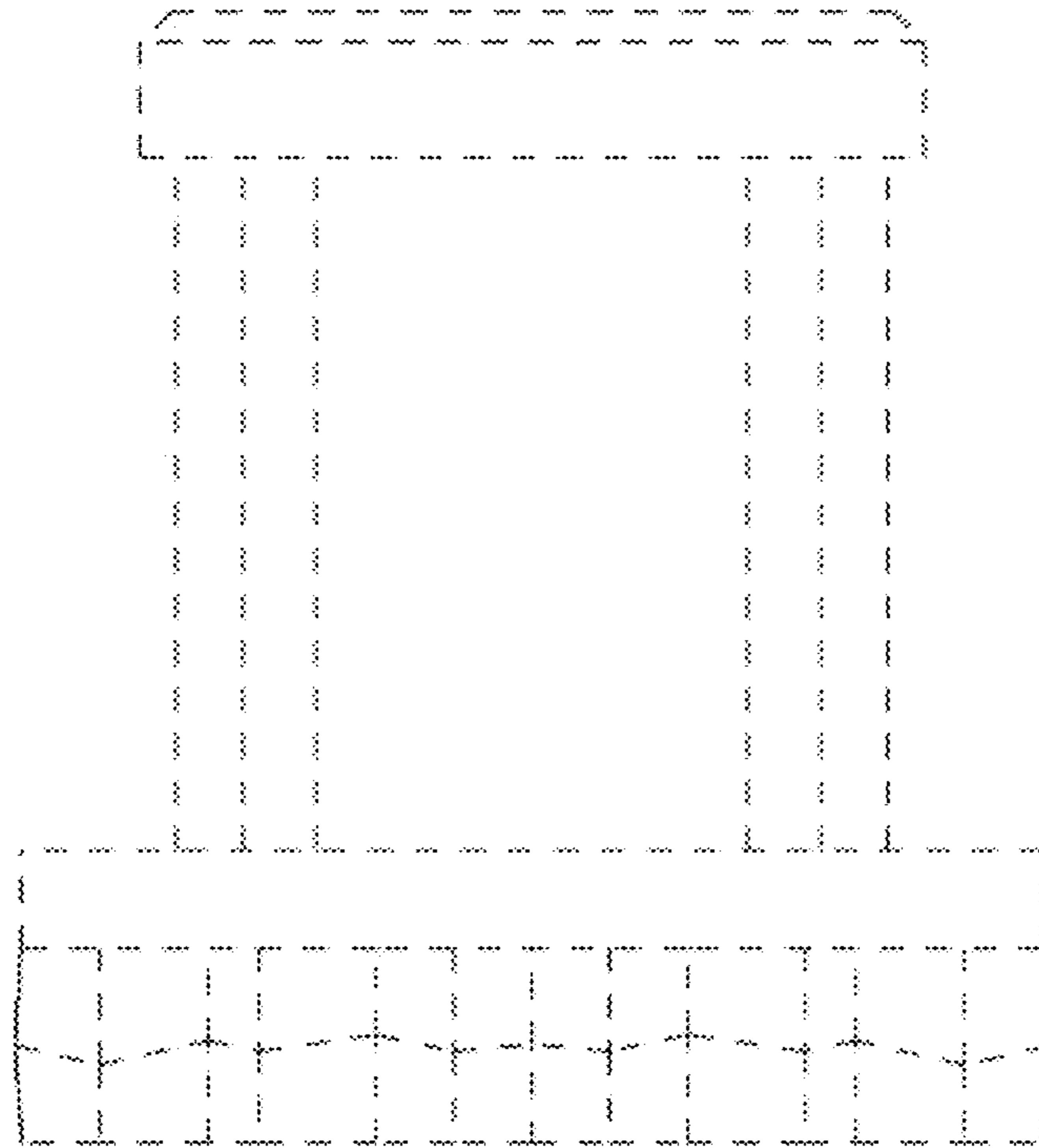
1.3



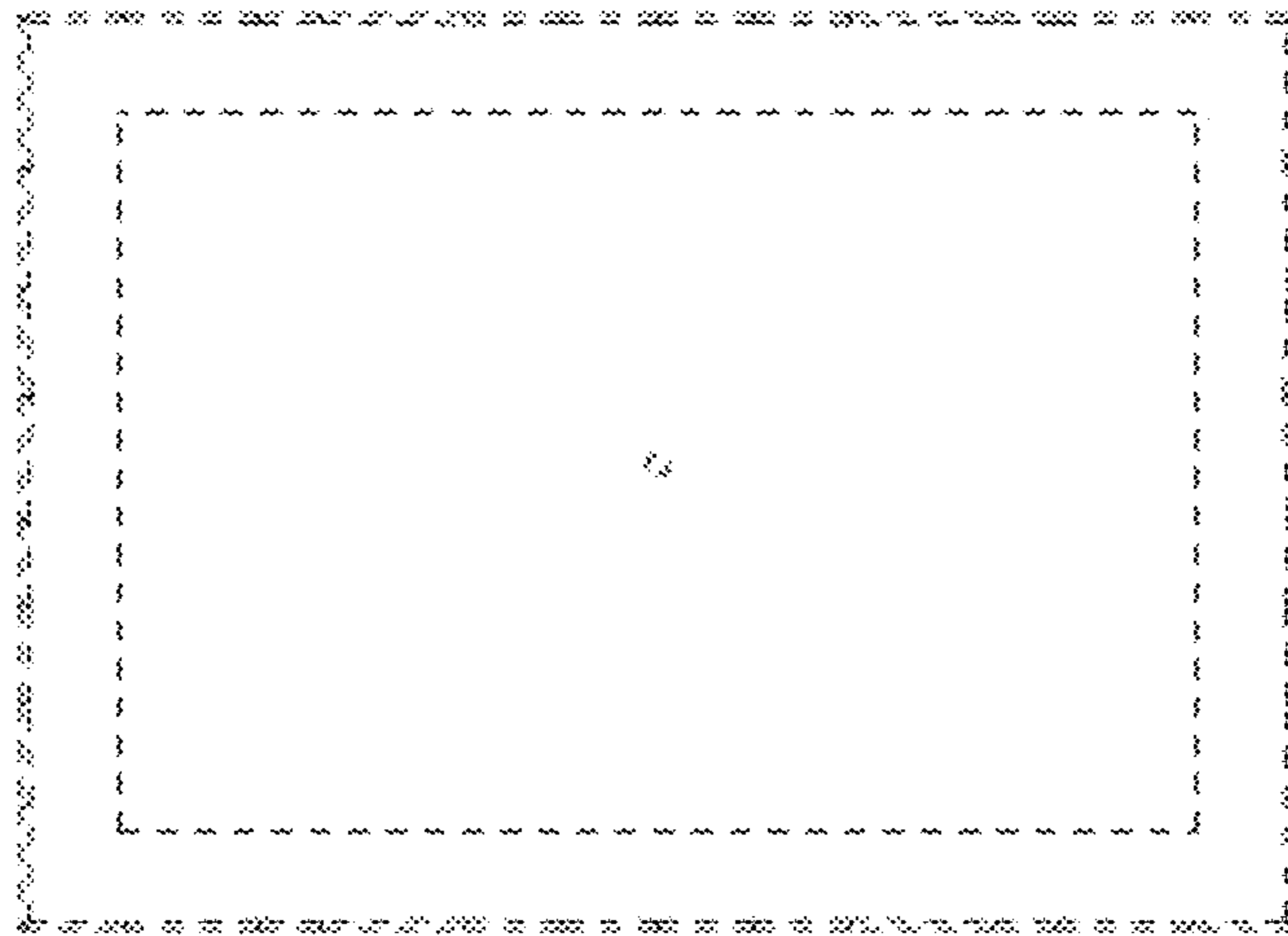
1.4



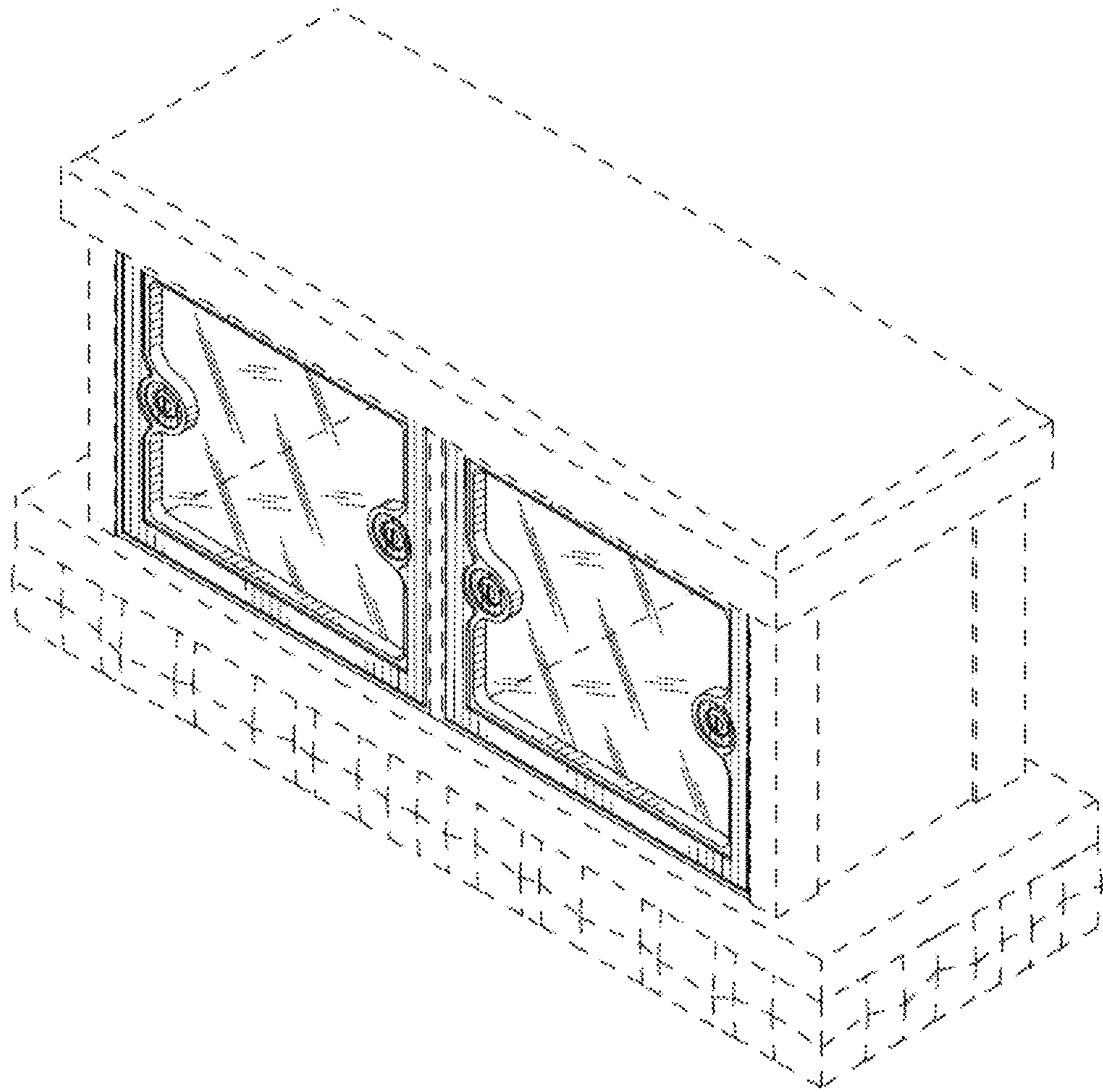
1.5



1.6



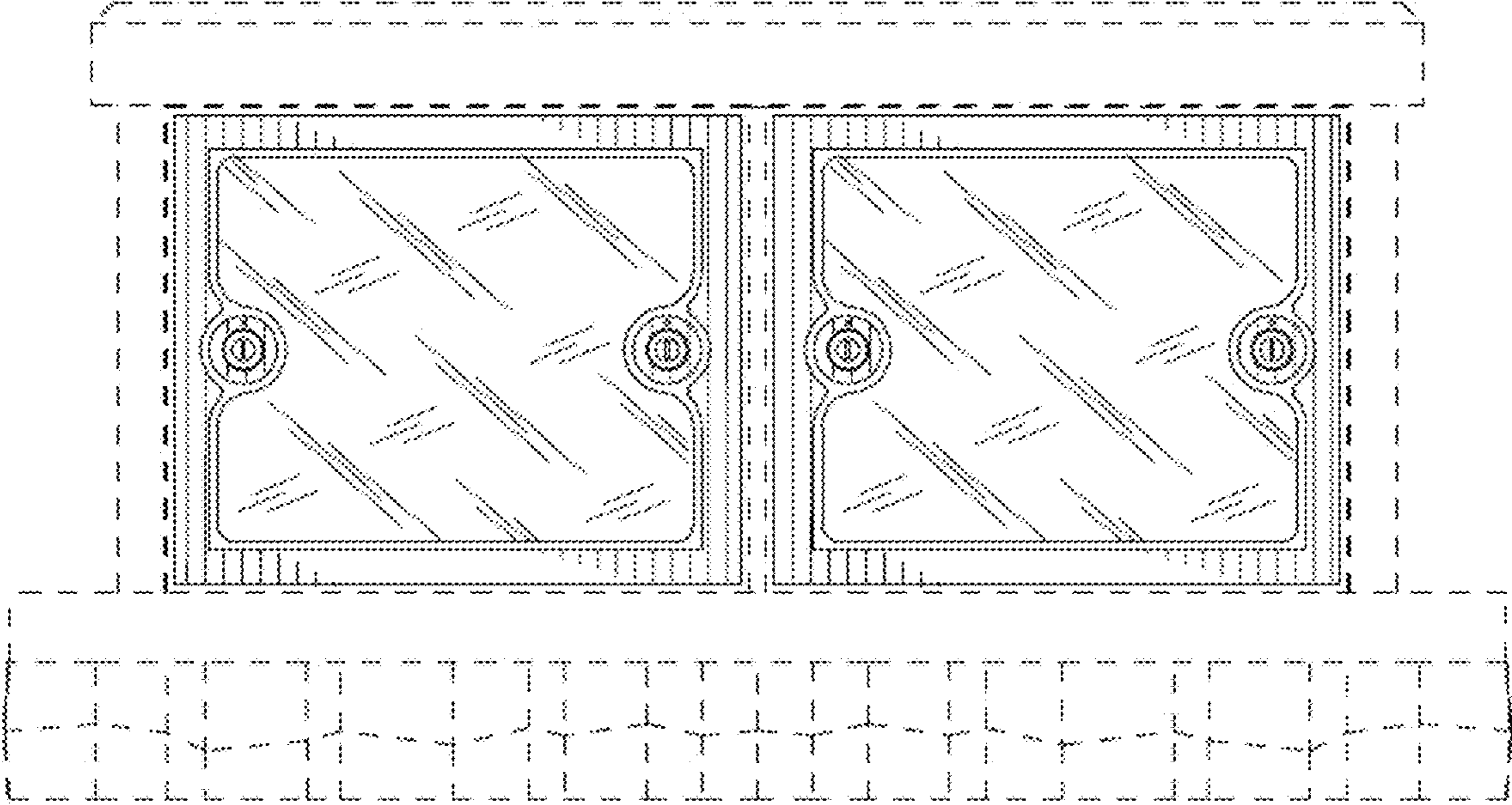
2.1



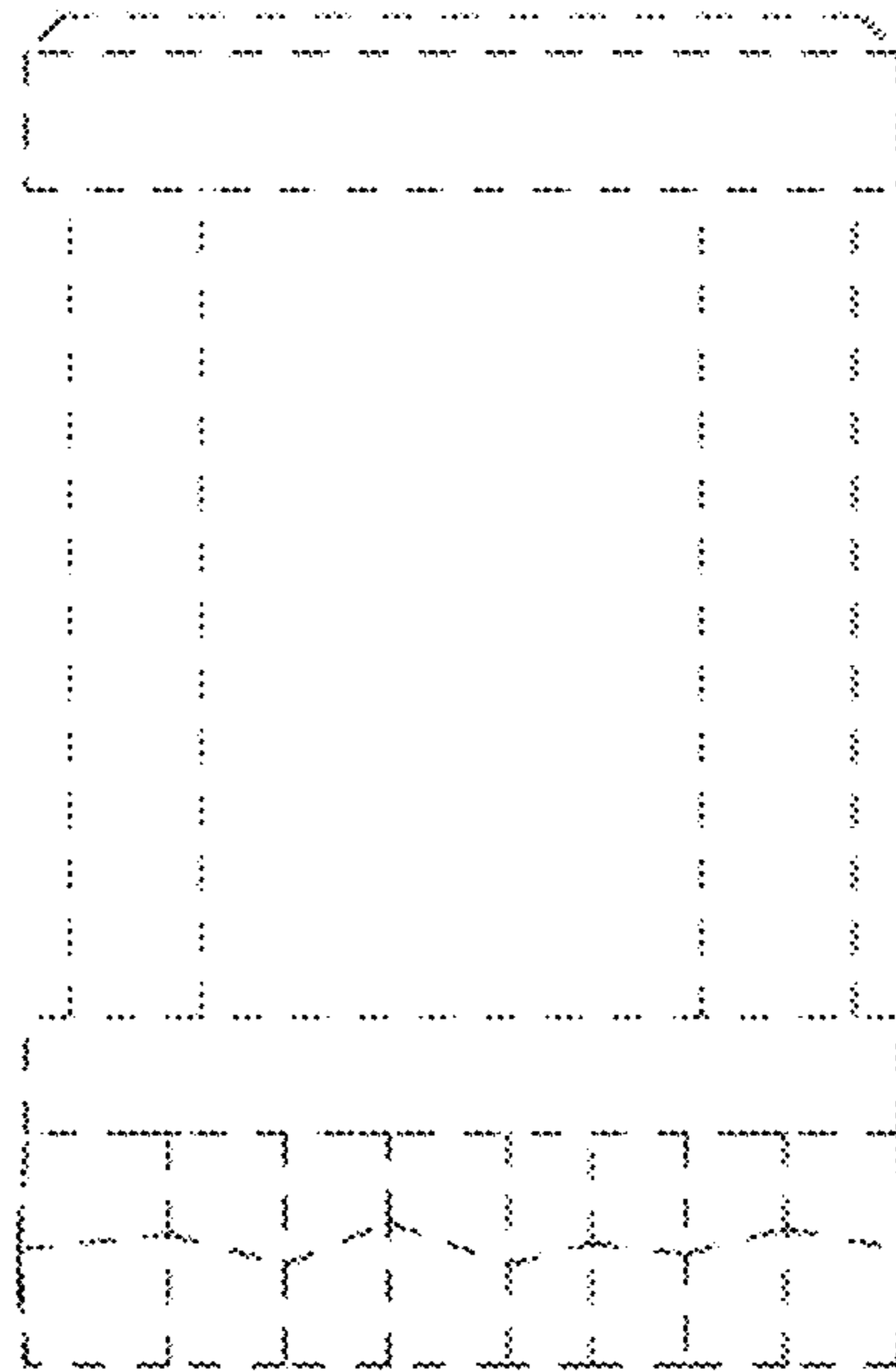
2.2



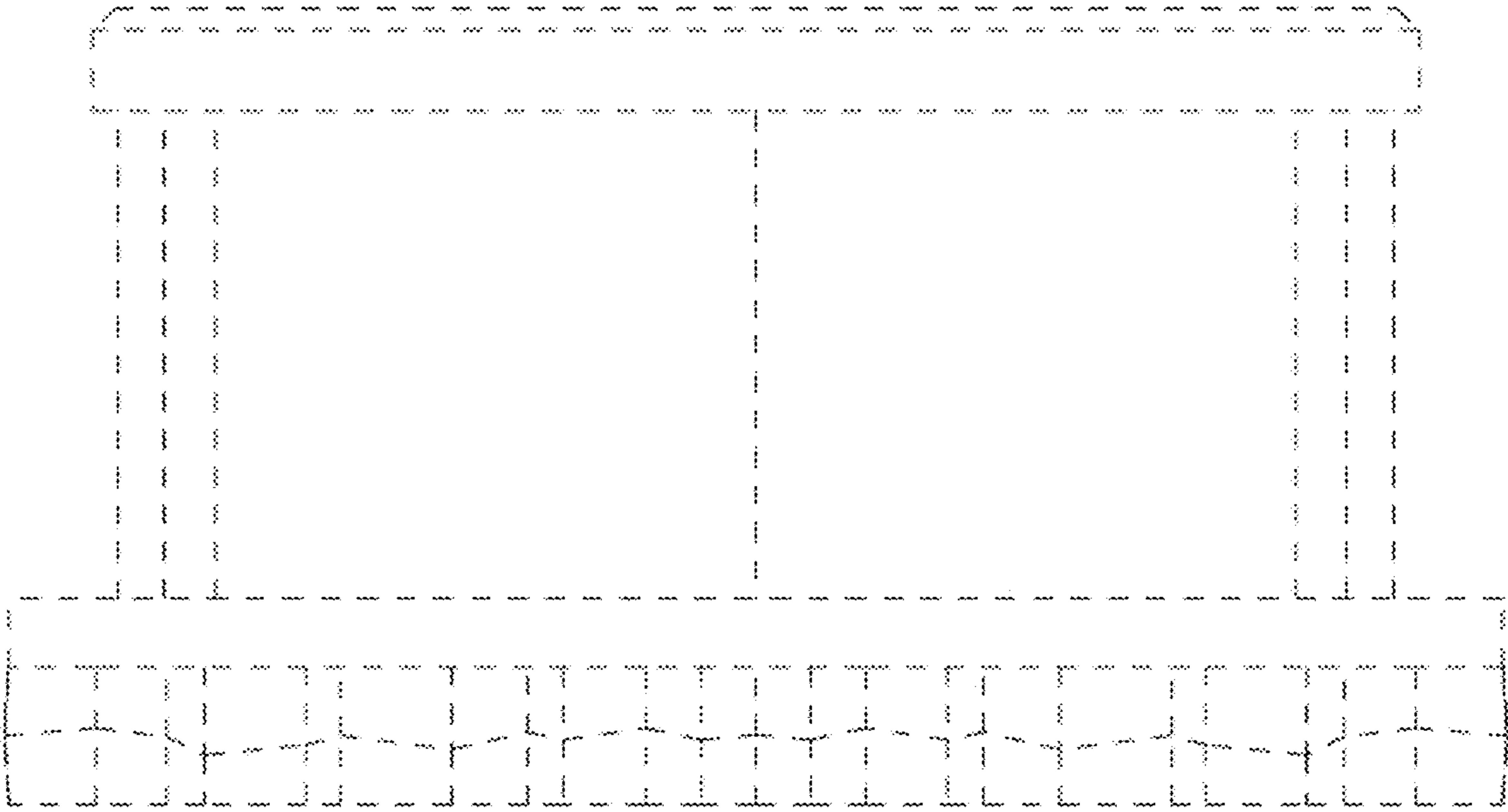
2.3



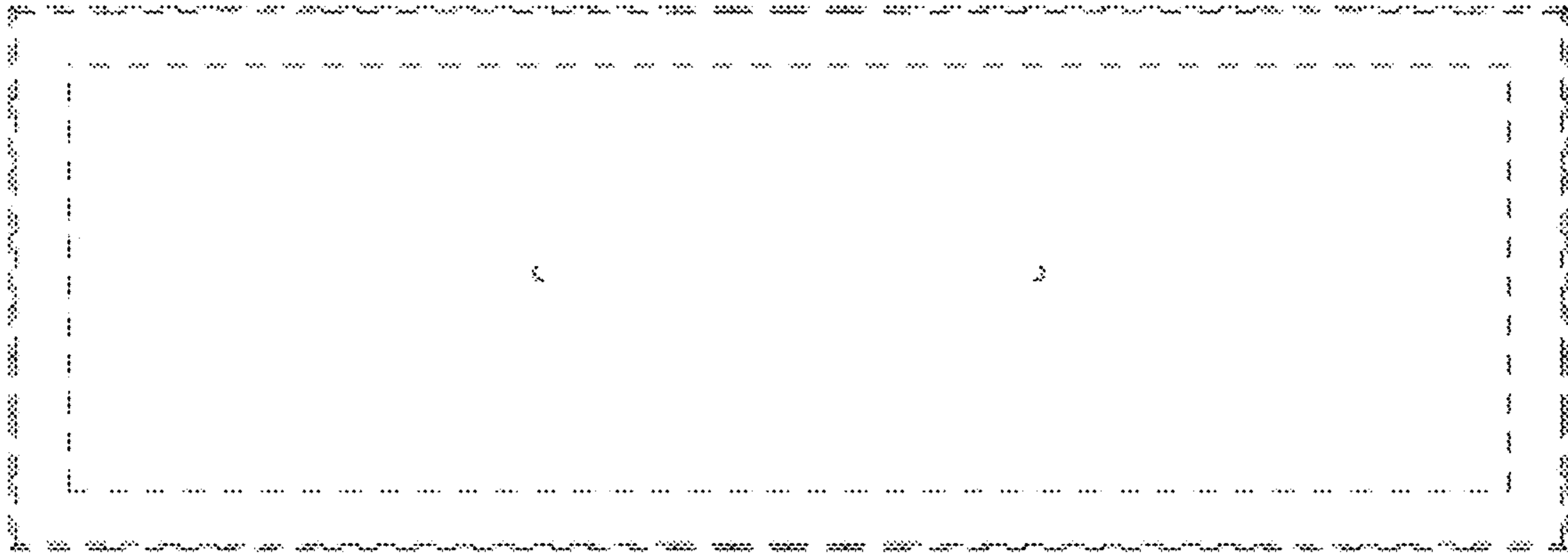
2.4



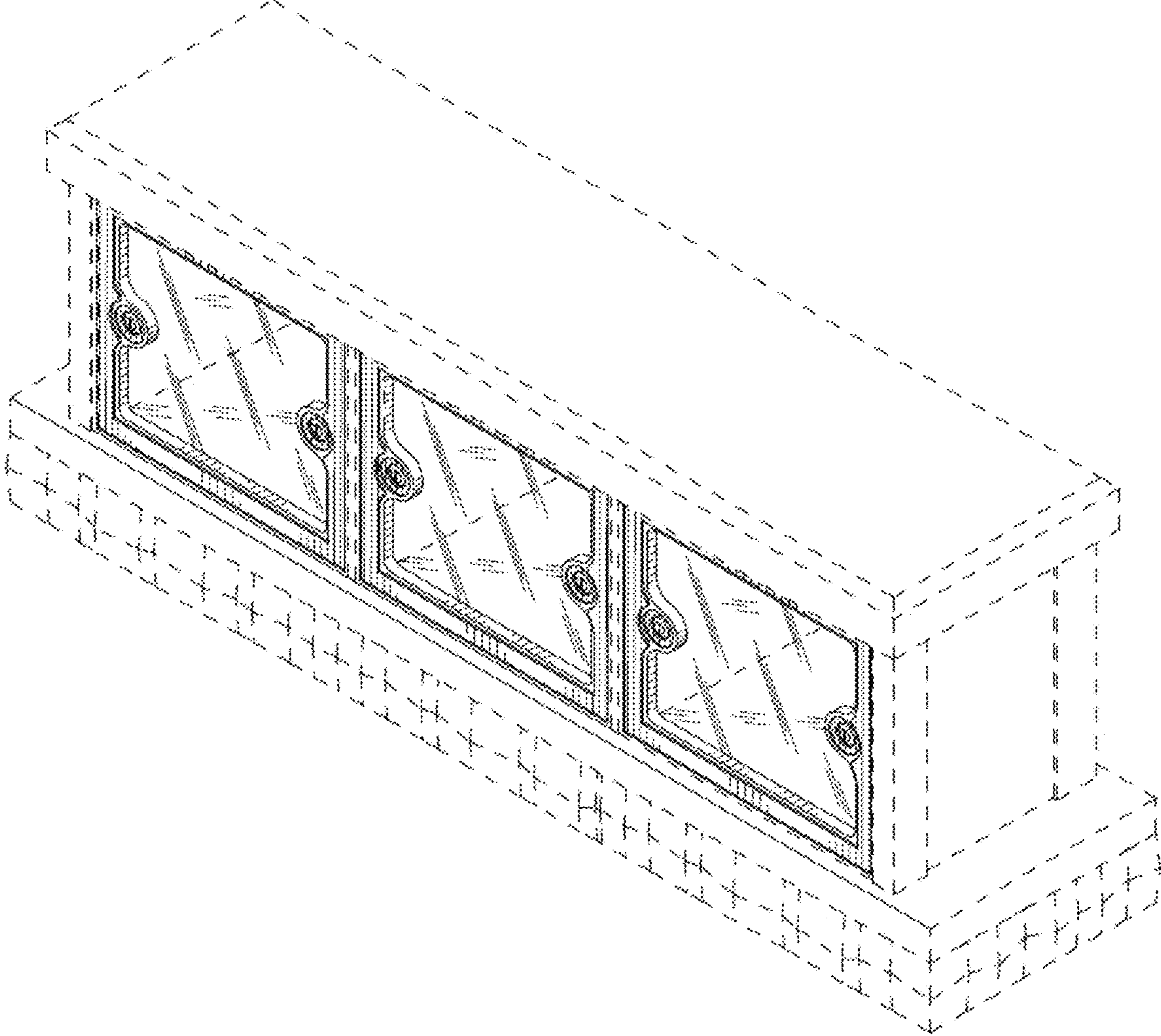
2.5



2.6



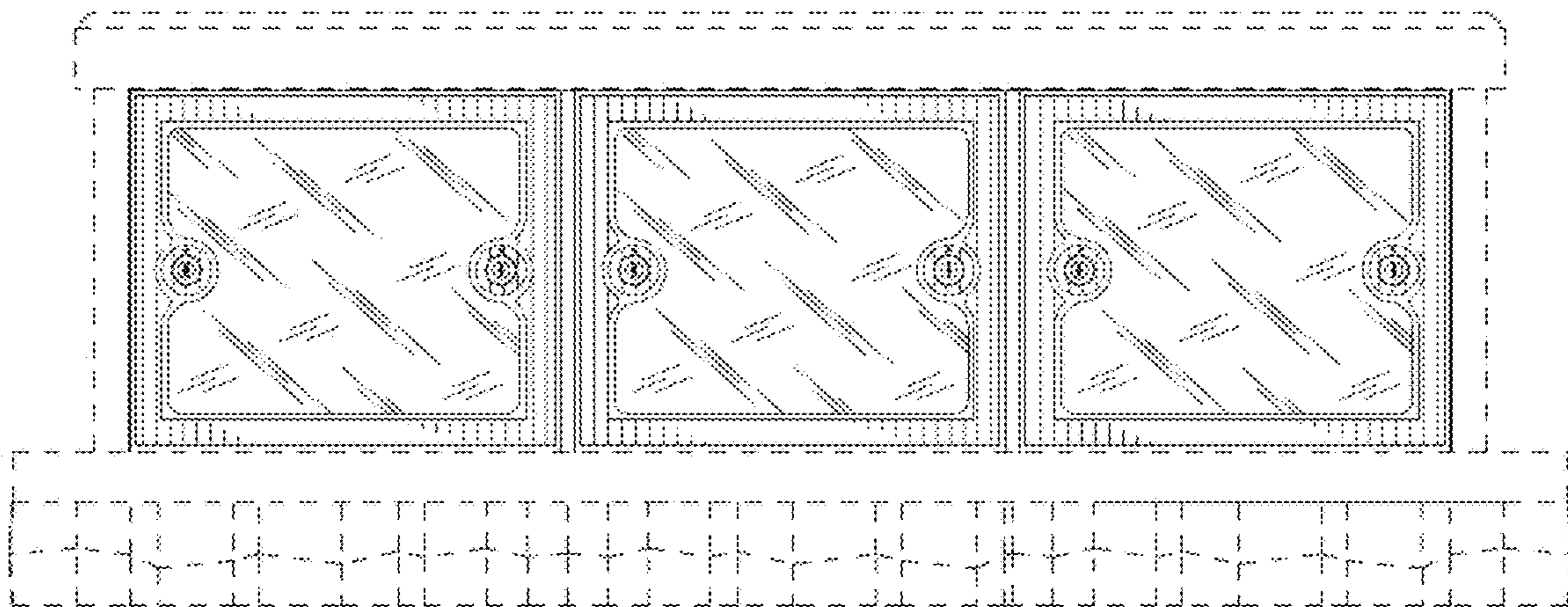
3.1



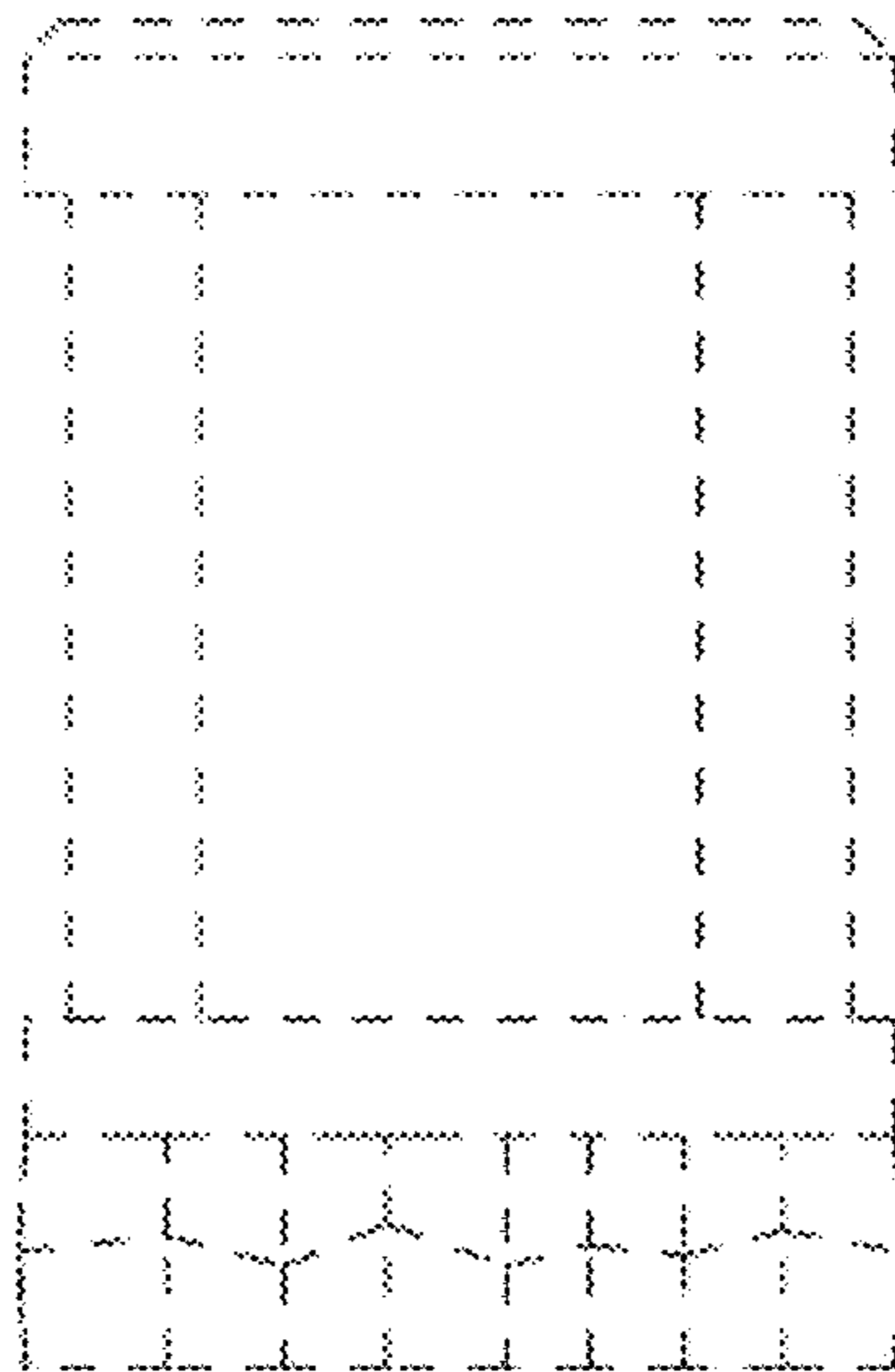
3.2



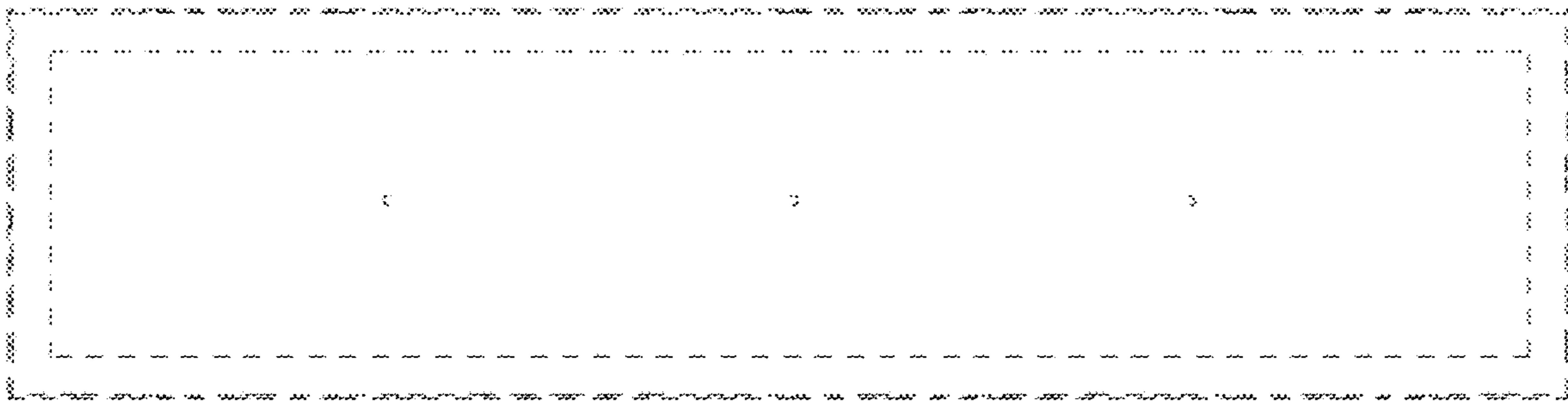
3.3



3.4



3.5



3.6

