

US00D960481S

(12) **United States Design Patent**
Li

(10) **Patent No.:** **US D960,481 S**
(45) **Date of Patent:** **** Aug. 9, 2022**

(54) **RACK**

D920,619 S * 5/2021 Cao D34/21
D927,817 S * 8/2021 Cao D34/21
D942,731 S * 2/2022 Hsu D34/21

(71) Applicant: **39F USA INC**, Rancho Cucamonga,
CA (US)

(72) Inventor: **Yuehai Li**, Rancho Cucamonga, CA
(US)

(73) Assignee: **39F USA INC**, Rancho Cucamonga,
CA (US)

(**) Term: **15 Years**

(21) Appl. No.: **29/758,389**

(22) Filed: **Nov. 14, 2020**

(51) **LOC (13) Cl.** **12-02**

(52) **U.S. Cl.**
USPC **D34/21**

(58) **Field of Classification Search**
USPC D34/12-14, 17, 19, 20, 21, 23, 26, 27
CPC .. B62B 1/00; B62B 1/008; B62B 1/12; B62B
1/10; B62B 3/002; B62B 3/006; B62B
3/02; B62B 3/10; B62B 3/022; B62B
3/001; B62B 3/067; B62B 5/003; B62B
5/0083; B62B 5/005

See application file for complete search history.

(56) **References Cited**

U.S. PATENT DOCUMENTS

D846,824 S * 4/2019 Cao D34/12
D850,753 S * 6/2019 Cao D34/21
D901,123 S * 11/2020 Liu D34/21

OTHER PUBLICATIONS

Alibaba cart, announced 2022 [online], [site visited Mar. 29, 2022].
Available from internet, URL: <https://www.aliexpress.com/item/1005003439055886.html> (Year: 2022).*

* cited by examiner

Primary Examiner — Cynthia Ramirez

Assistant Examiner — Tamara L Hahn

(74) *Attorney, Agent, or Firm* — Raymond Y. Chan;
David and Raymond Patent Firm

(57) **CLAIM**

The ornamental design for a rack, as shown and as described.

DESCRIPTION

FIG. 1 is a perspective view of a rack, showing my new design.

FIG. 2 is a front view thereof.

FIG. 3 is a rear view thereof.

FIG. 4 is a left end view thereof.

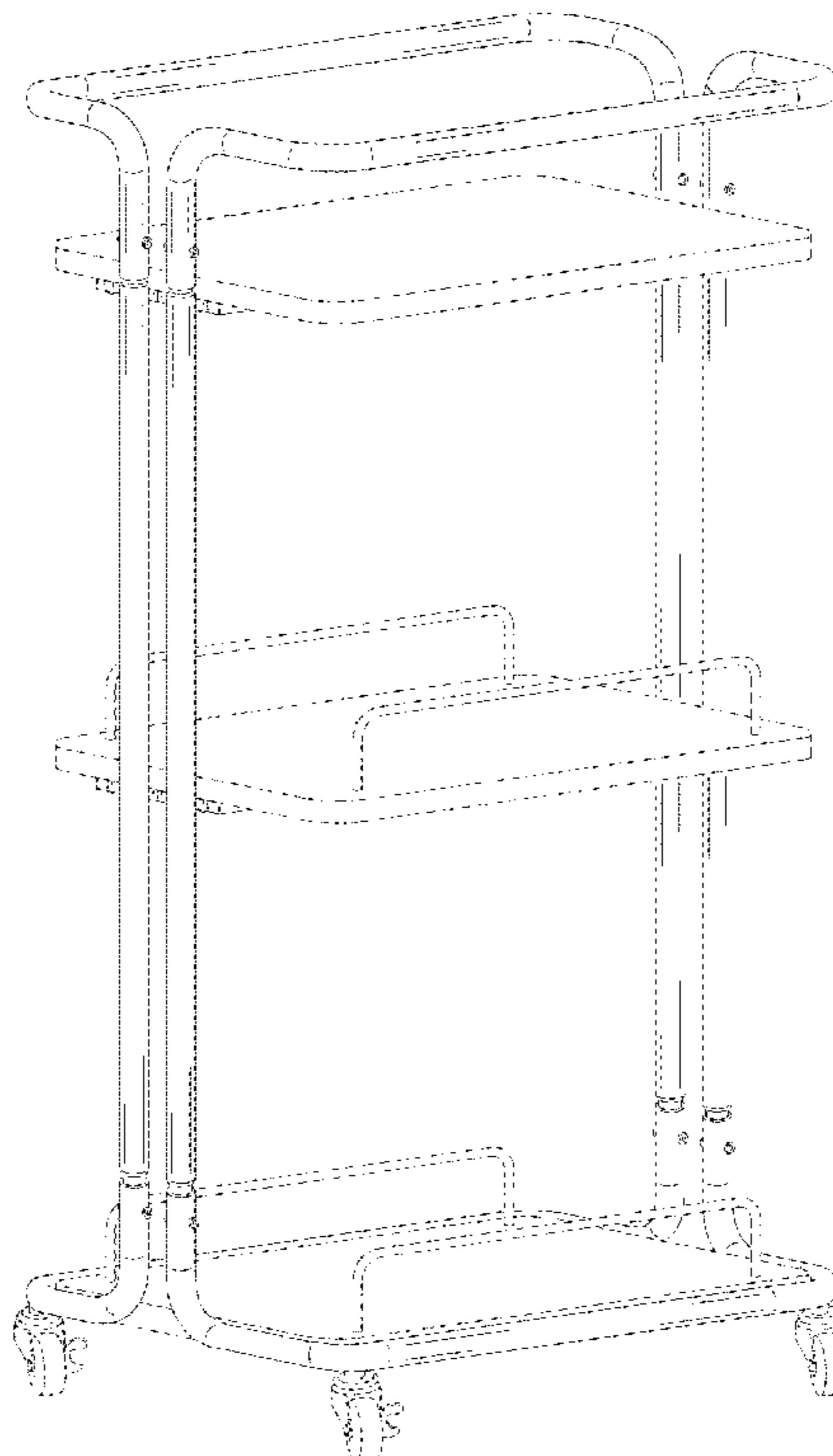
FIG. 5 is a right end view thereof.

FIG. 6 is a top view thereof; and,

FIG. 7 is a bottom view thereof.

The broken lines in the drawings depict portions of a rack that form no part of the claimed design.

1 Claim, 7 Drawing Sheets



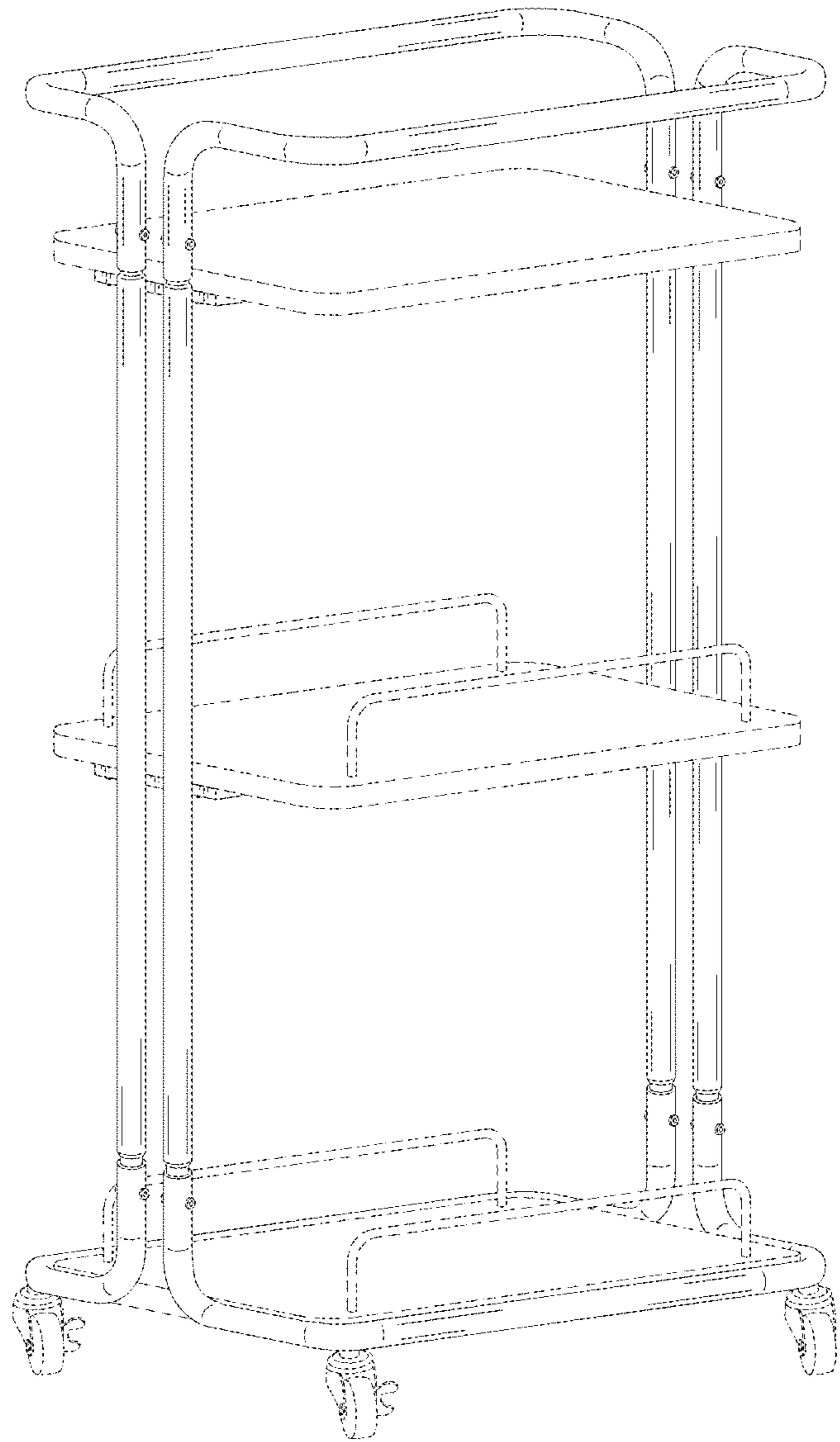


FIG . 1

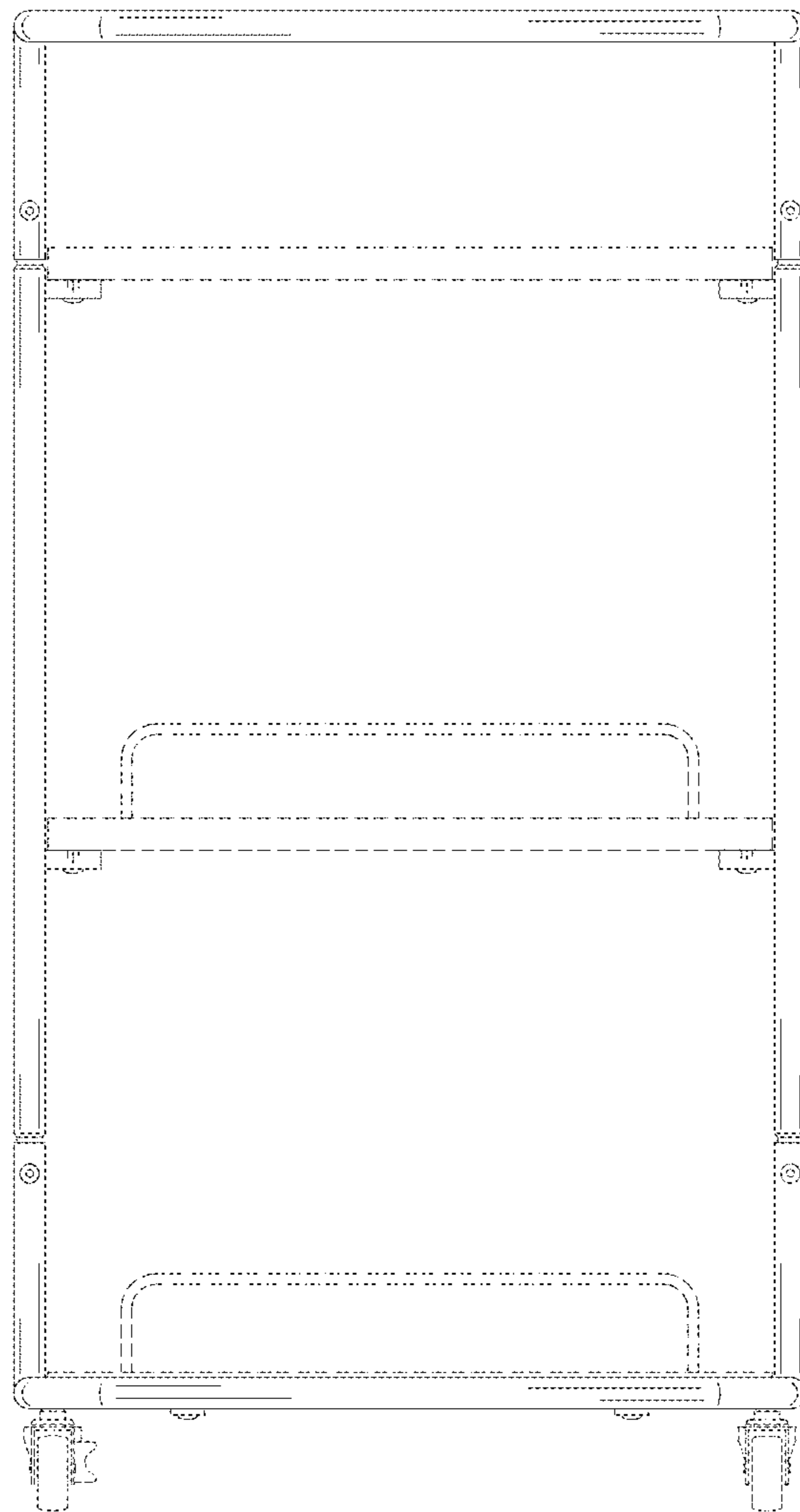


FIG . 2

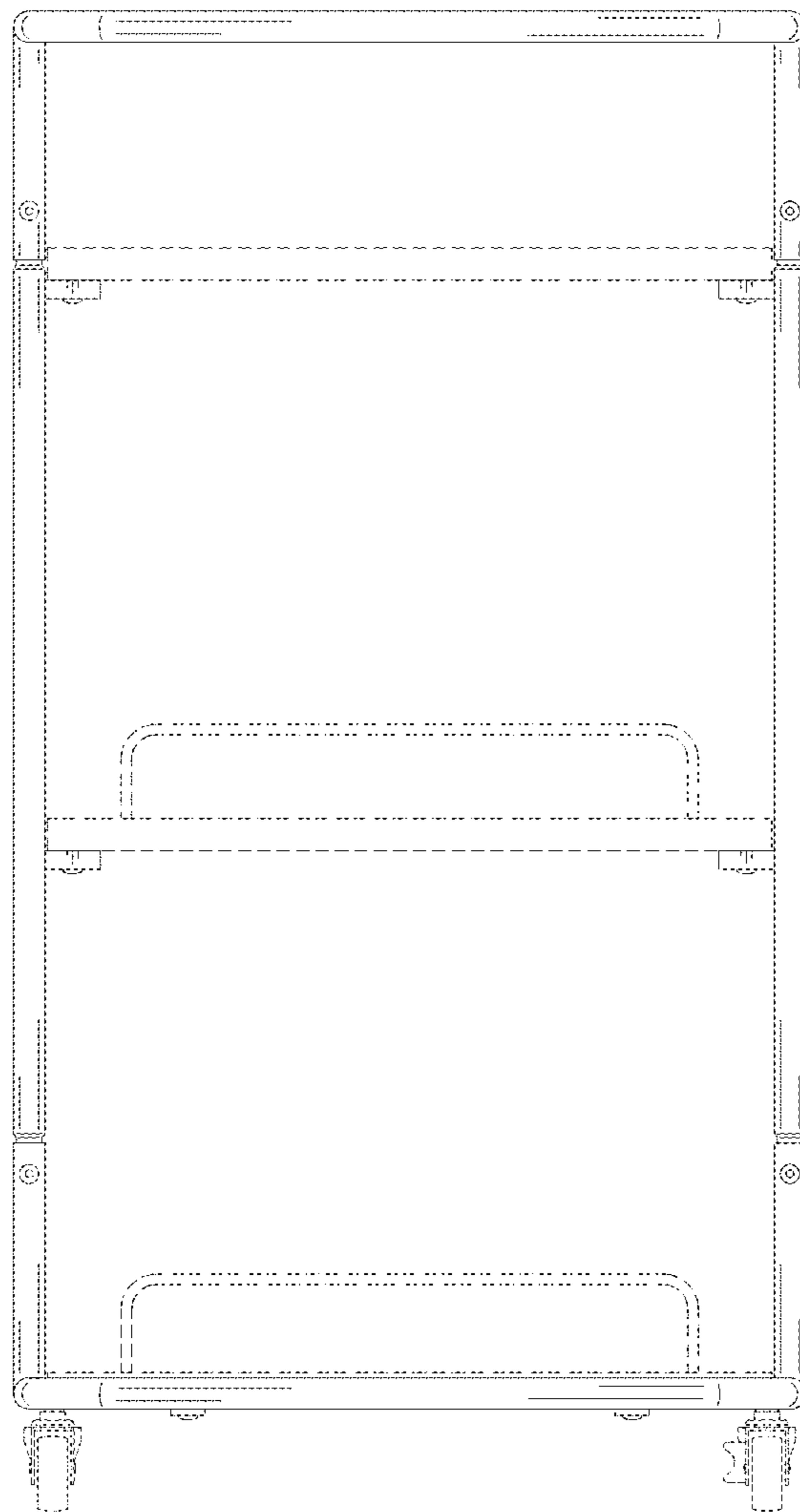


FIG . 3

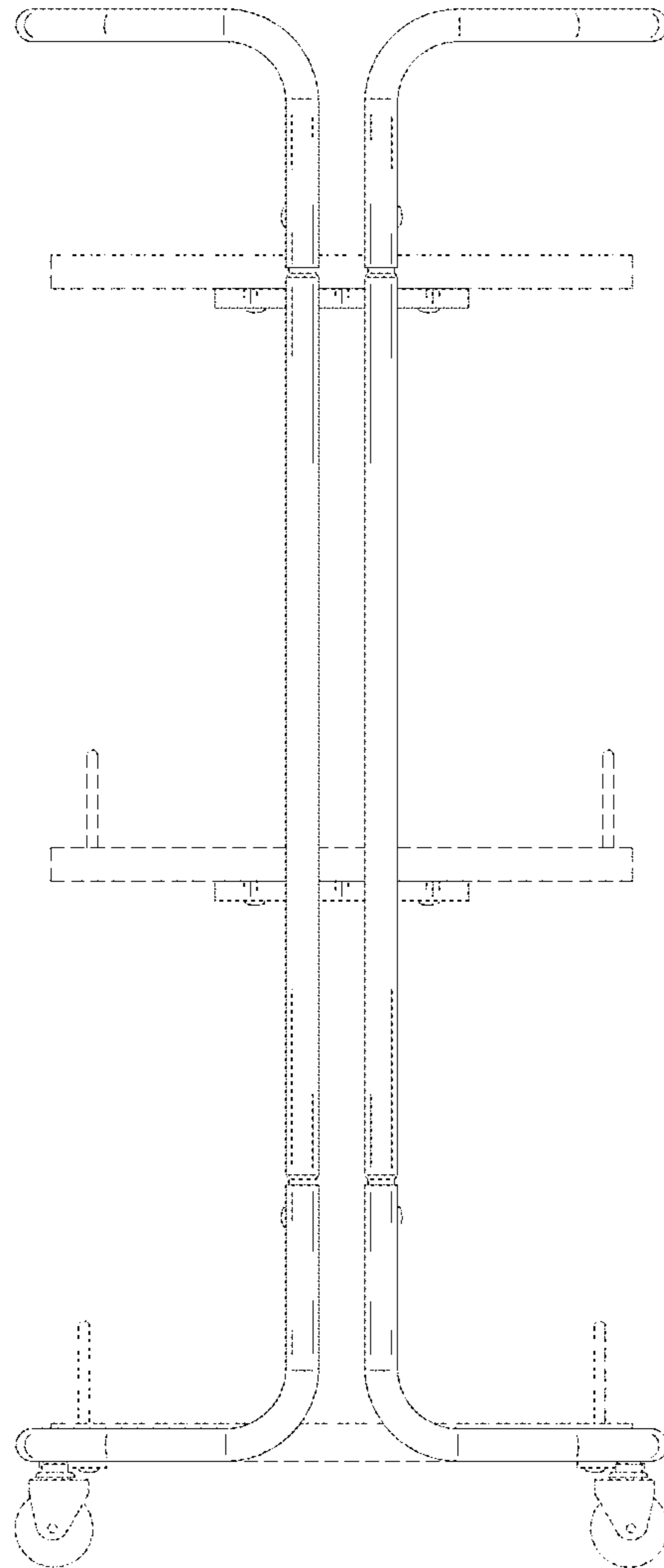


FIG . 4

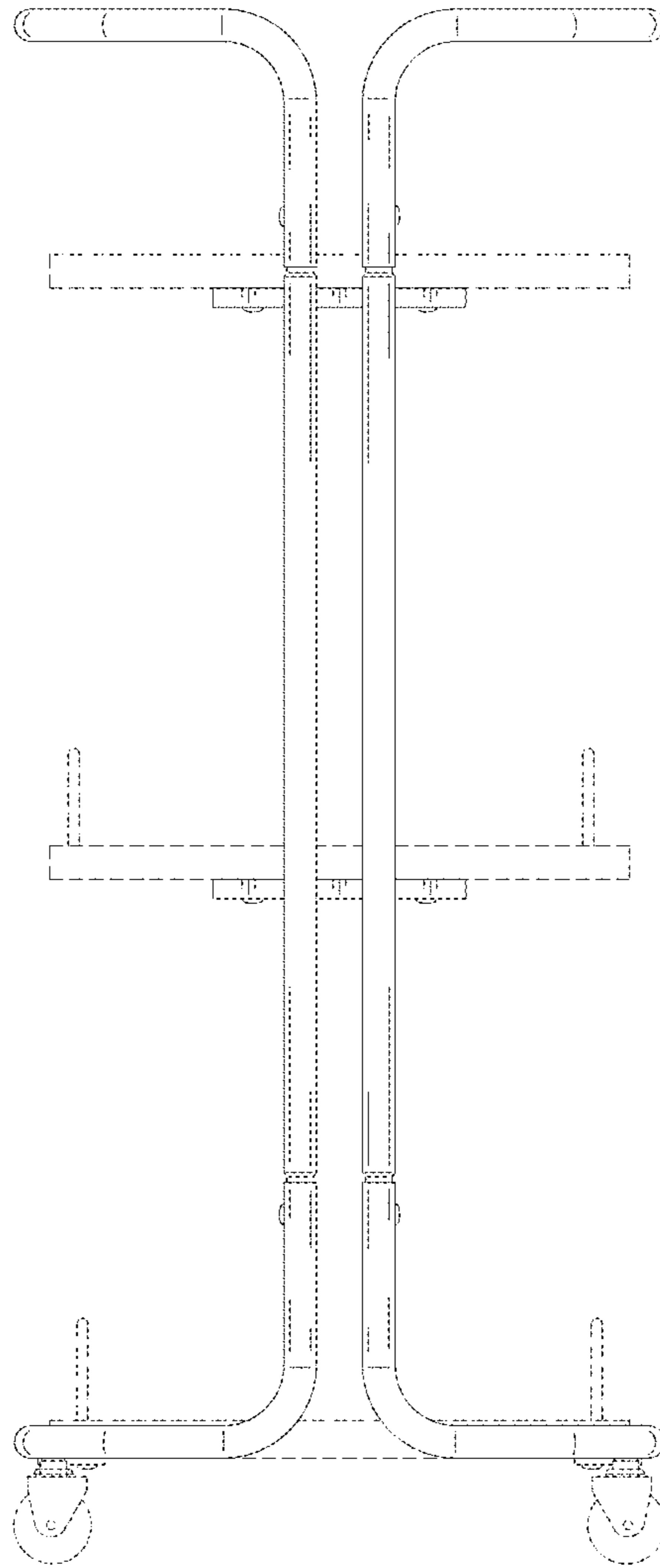


FIG . 5

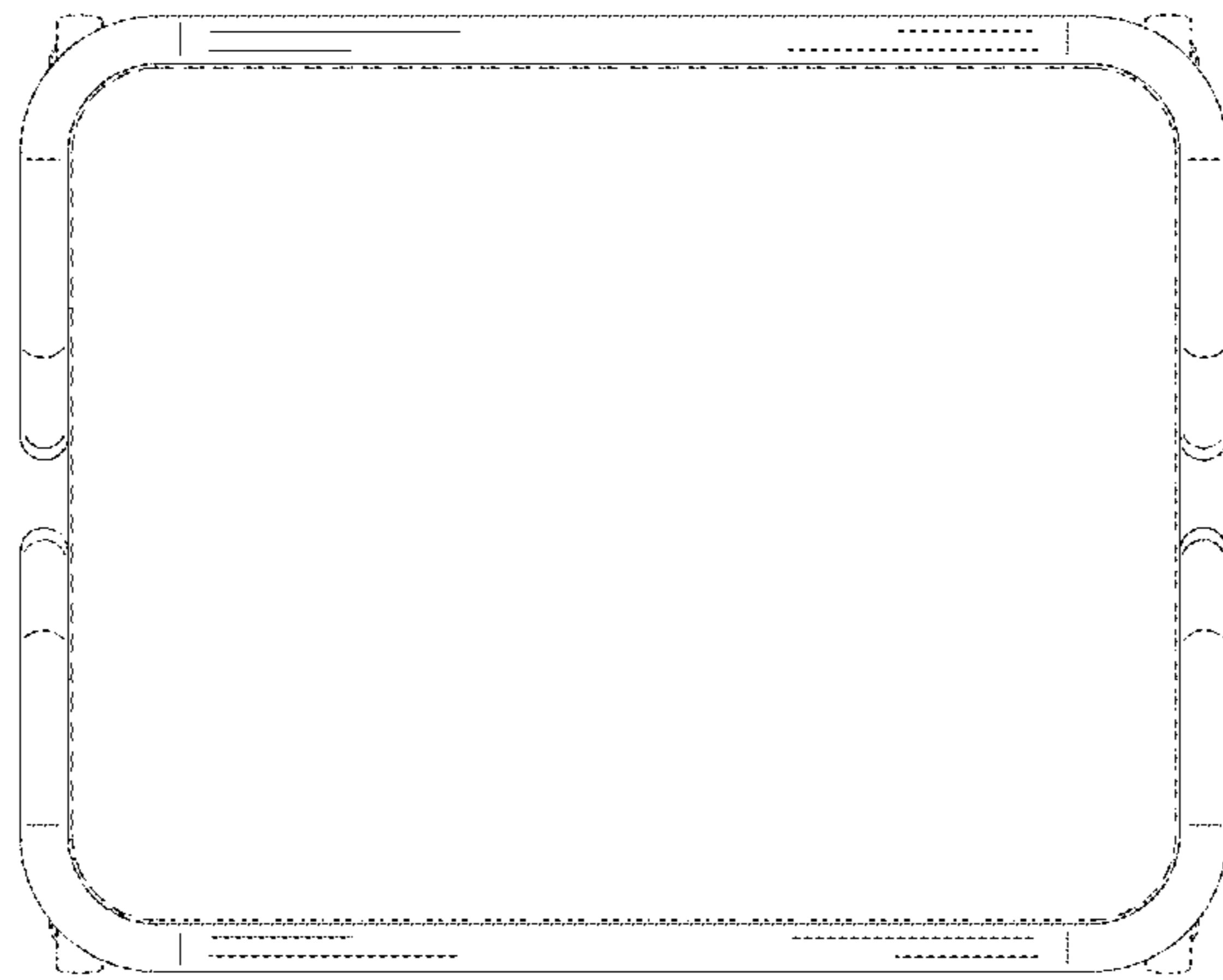


FIG . 6

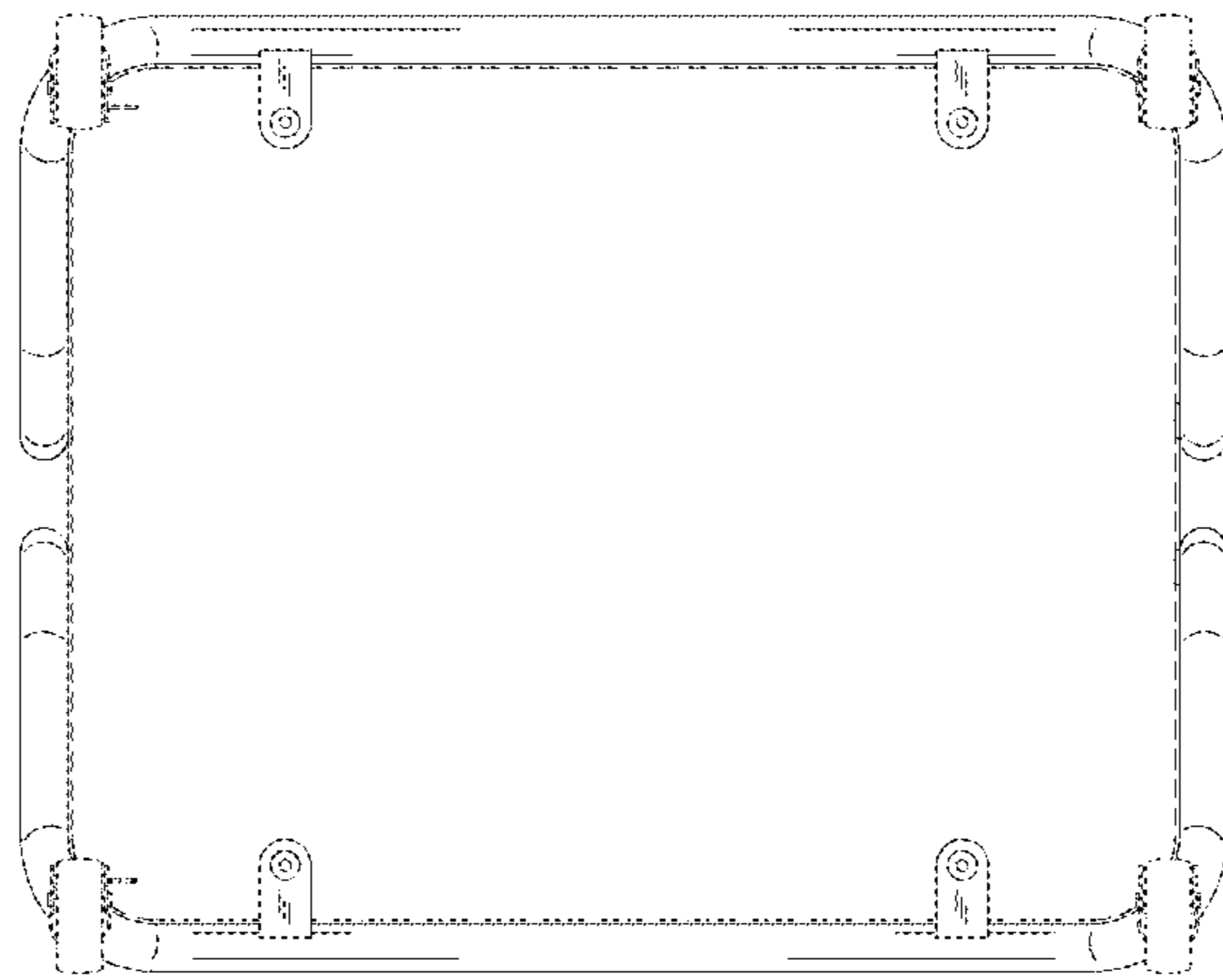


FIG . 7