



US00D960478S

(12) **United States Design Patent**  
**Levi et al.**

(10) **Patent No.:** **US D960,478 S**

(45) **Date of Patent:** **\*\* Aug. 9, 2022**

(54) **DRYING RACK**

(71) Applicant: **KRAUS USA PLUMBING LLC**, Port Washington, NY (US)

(72) Inventors: **Russell Levi**, Port Washington, NY (US); **Serhiy Torak**, Brooklyn, NY (US)

(73) Assignee: **KRAUS USA PLUMBING LLC**, Port Washington, NY (US)

(\*\*) Term: **15 Years**

(21) Appl. No.: **29/744,541**

(22) Filed: **Jul. 29, 2020**

(51) **LOC (13) Cl.** ..... **07-05**

(52) **U.S. Cl.**  
USPC ..... **D32/55**

(58) **Field of Classification Search**  
USPC ..... D6/525; D30/133; D32/55-59  
(Continued)

(56) **References Cited**

**U.S. PATENT DOCUMENTS**

2,163,865 A \* 6/1939 Bitney ..... A47L 19/04  
D32/55  
D174,073 S \* 2/1955 Bliss ..... D32/55  
(Continued)

**FOREIGN PATENT DOCUMENTS**

CN 201342116 Y 11/2009  
CN 201710686 U 1/2011  
(Continued)

**OTHER PUBLICATIONS**

homedepot.com KRAUS Workstation Kitchen Sink Dish Drying Rack Drainer and Utensil Holder <https://www.homedepot.com/p/KRAUS-Workstation-Kitchen-Sink-Dish-Drying-Rack-Drainer-and-Utensil-Holder-in-Stainless-Steel-KDR-3/316975529> (Year: 2021).\*

(Continued)

*Primary Examiner* — Michelle E. Wilson

*Assistant Examiner* — Richard E Yenchesky

(74) *Attorney, Agent, or Firm* — Nirav D. Parikh; Edgar A. Zarins

(57) **CLAIM**

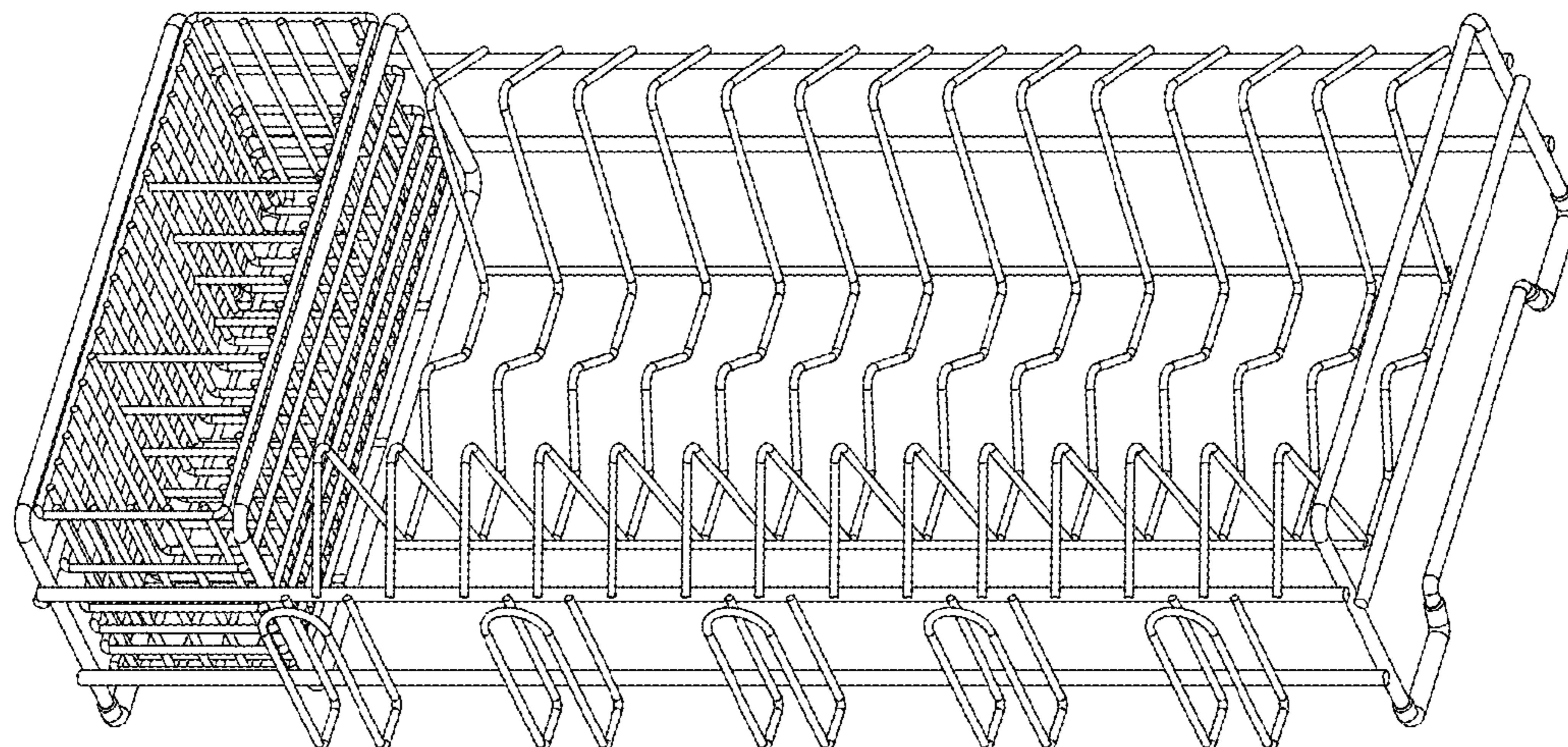
The ornamental design for a drying rack, as shown and described.

**DESCRIPTION**

FIG. 1 is a front perspective view of a drying rack with a utensil holder therein in accordance with the present design; FIG. 2 is a top plan view thereof; FIG. 3 is a bottom plan view thereof; FIG. 4 is a right side elevational view thereof; FIG. 5 is a left side elevational view thereof; FIG. 6 is a front elevational view thereof; FIG. 7 is a rear elevational view thereof; FIG. 8 is a front perspective view of an alternate embodiment of a drying rack without the utensil holder therein in accordance with the present design; FIG. 9 is a top plan view thereof; FIG. 10 is a bottom plan view thereof; FIG. 11 is a right side elevational view thereof; FIG. 12 is a left side elevational view thereof; FIG. 13 is a front elevational view thereof; FIG. 14 is a rear elevational view thereof; FIG. 15 is a front perspective view of an alternative embodiment of a utensil holder for the drying rack in accordance with the present design; FIG. 16 is a top plan view thereof; FIG. 17 is a bottom plan view thereof; FIG. 18 is a right side elevational view thereof; FIG. 19 is a left side elevational view thereof; FIG. 20 is a front elevational view thereof; FIG. 21 is a rear elevational view thereof; and, FIG. 22 is a front perspective view of the present design shown in its environment.

The broken lines shown are included for the purpose of illustrating a portion of the drying rack that form no part of the claimed design.

**1 Claim, 13 Drawing Sheets**



(58) **Field of Classification Search**  
 CPC ..... A47L 19/00; A47L 19/02; A47L 17/00;  
 A47L 17/04; A47J 47/20; A47J 2201/00;  
 A47J 47/00; B65D 35/02  
 See application file for complete search history.

D820,543	S *	6/2018	Huang	.....	D32/55
D825,874	S *	8/2018	Johnson	.....	D32/55
D846,220	S *	4/2019	Kraemer	.....	D32/55
D887,098	S *	6/2020	Li	.....	D32/55
D921,318	S *	6/2021	Ling	.....	D32/55
D940,421	S *	1/2022	Han	.....	D32/55
2006/0138063	A1	6/2006	Johnson		

(56) **References Cited**

U.S. PATENT DOCUMENTS

2,708,037	A *	5/1955	Planeta	.....	A47L 19/04
					211/74
2,739,715	A *	3/1956	Planeta	.....	A47L 19/04
					211/74
2,885,087	A *	5/1959	Bliss	.....	A47L 19/04
					D32/55
3,032,203	A *	5/1962	Romero	.....	A47L 19/04
					D32/55
3,169,641	A	2/1965	Chapman		
D268,878	S *	5/1983	Taylor	.....	D32/55
D353,922	S *	12/1994	Drake	.....	D32/55
D538,496	S	3/2007	Plikuhn		
D554,818	S *	11/2007	Murray	.....	D32/55
D555,310	S *	11/2007	Yang	.....	D32/55
7,325,695	B2 *	2/2008	Yang	.....	A47L 19/04
					211/41.3
D599,068	S *	8/2009	Yang	.....	D32/55
D699,413	S *	2/2014	Huang	.....	D32/55
D723,236	S *	2/2015	Khaitan	.....	D32/55
D783,216	S *	4/2017	Huang	.....	D32/55
D787,769	S *	5/2017	Evans	.....	D32/58
D819,289	S *	5/2018	Umholtz	.....	D32/55

FOREIGN PATENT DOCUMENTS

CN	202361444	U	8/2012
CN	202552941	U	11/2012
CN	203446876	U	2/2014
CN	203524541	U	4/2014
CN	105617429	A	6/2016
CN	205598280	U	9/2016
CN	206822555	U	1/2018
CN	207356055	U	5/2018
CN	108144089	A	6/2018
CN	208784281	U	4/2019
CN	208892375	U	5/2019
CN	208911033	U	5/2019
CN	209475212	U	10/2019
CN	110721327	A	1/2020

OTHER PUBLICATIONS

wayfair.comKraus Kore Stainless Steel Dish Rack <https://www.wayfair.com/kitchen-tabletop/pdp/kraus-kore-stainless-steel-dish-rack-kus10417.html> (Year: 2021).\*

\* cited by examiner

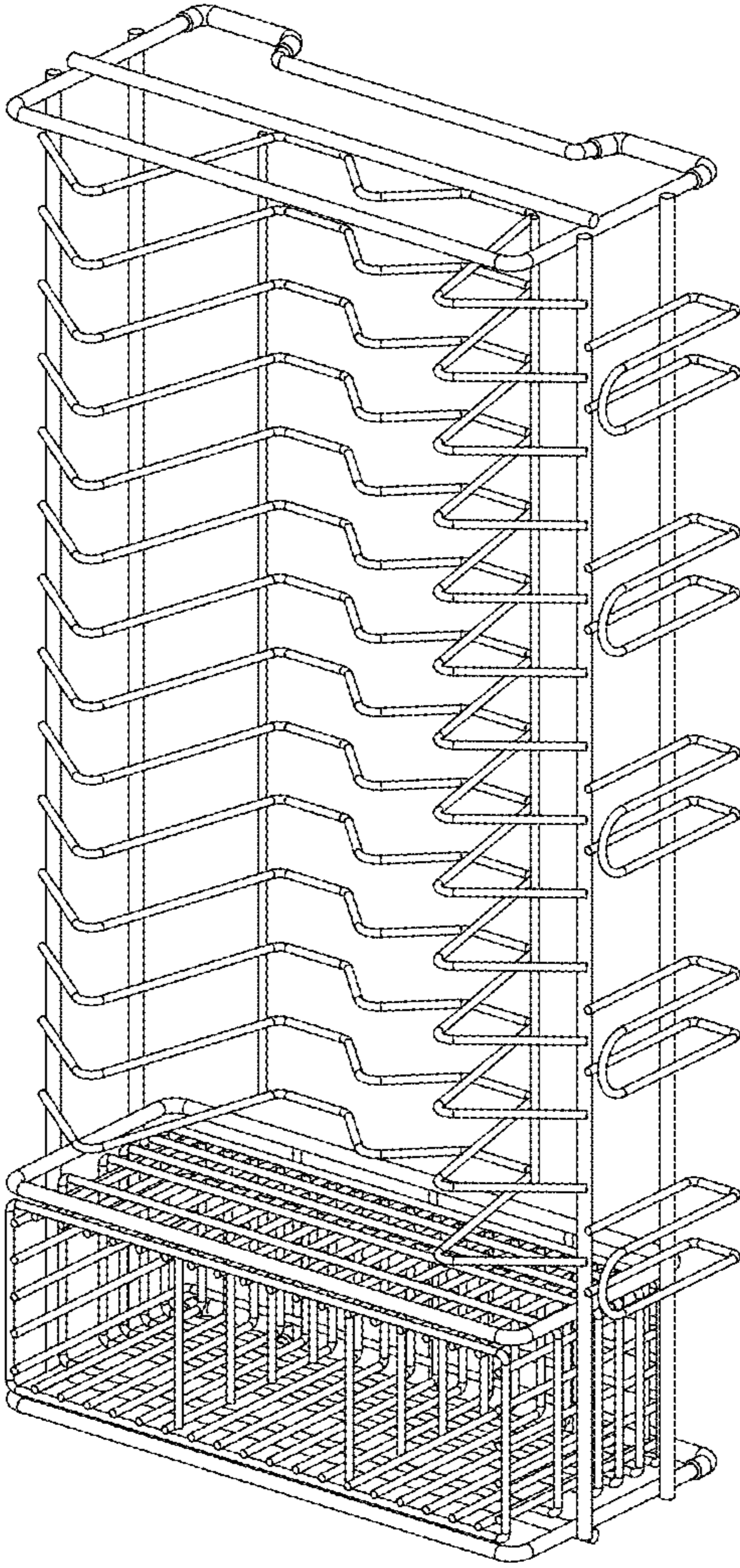


FIG. 1

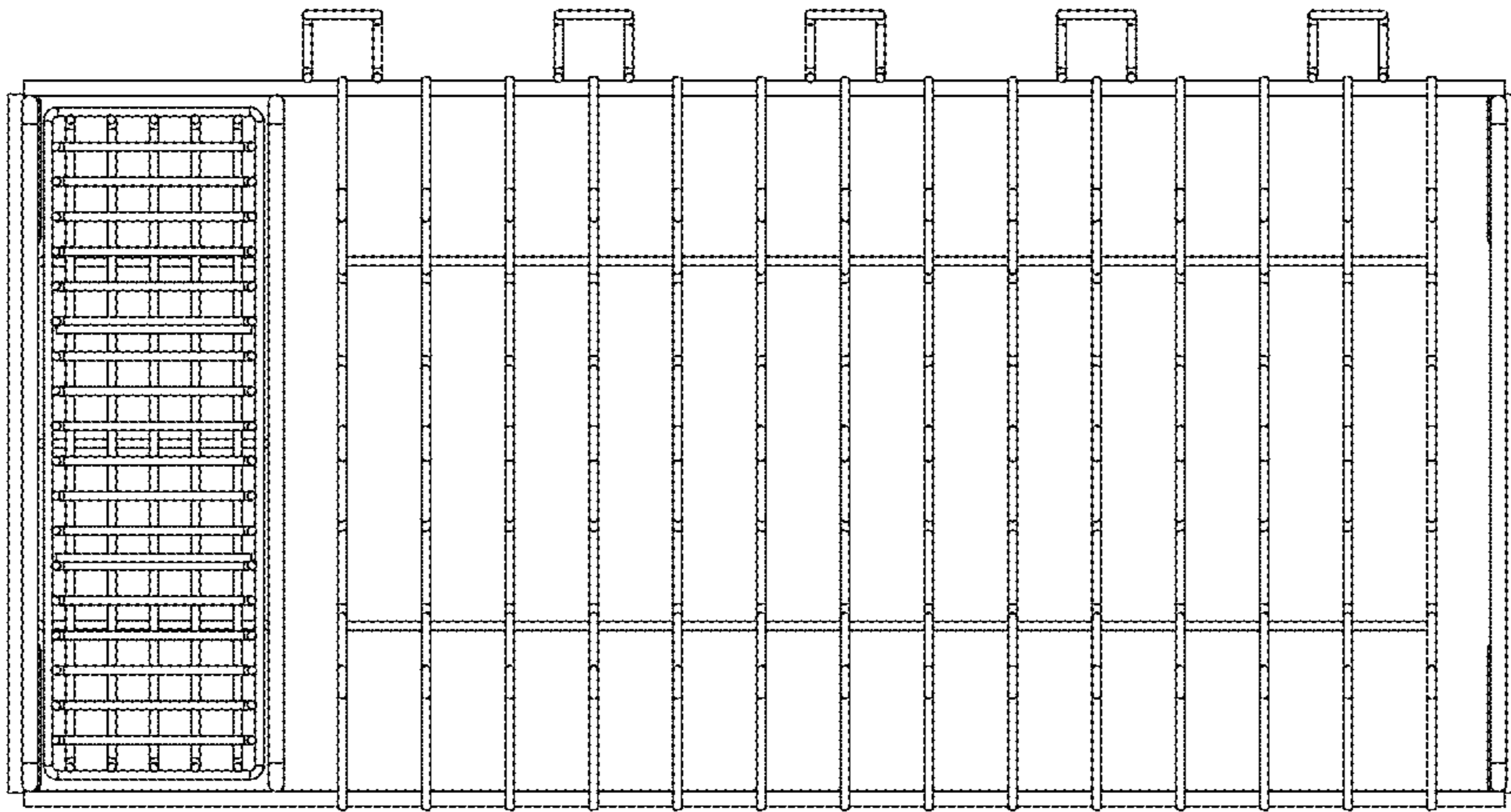


FIG. 3

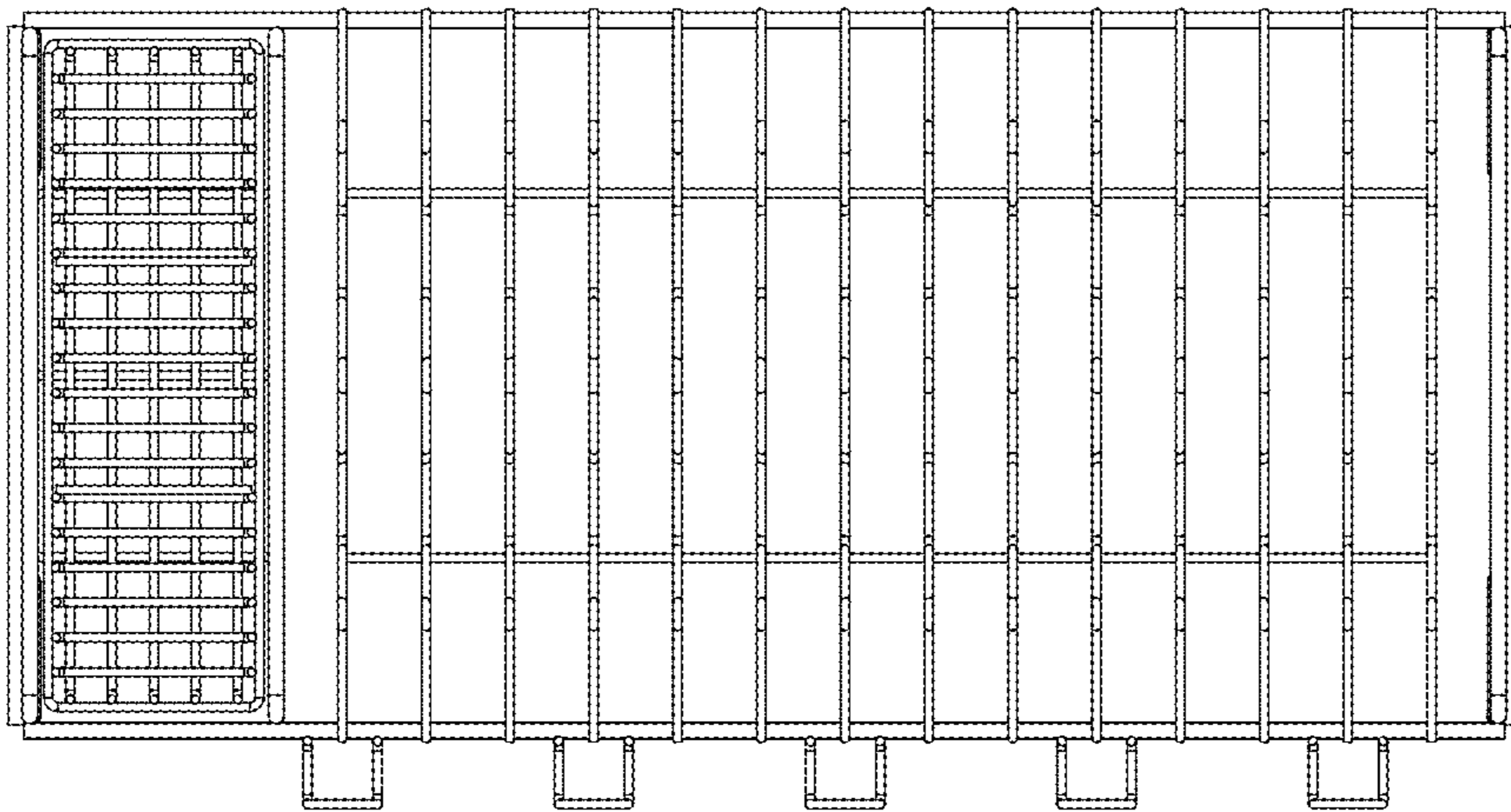


FIG. 2

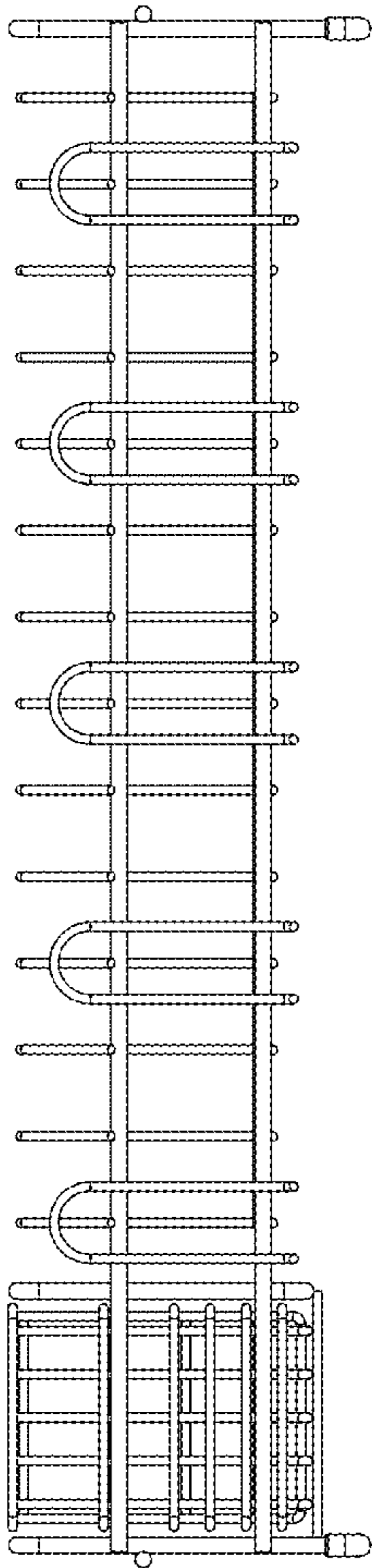


FIG. 4

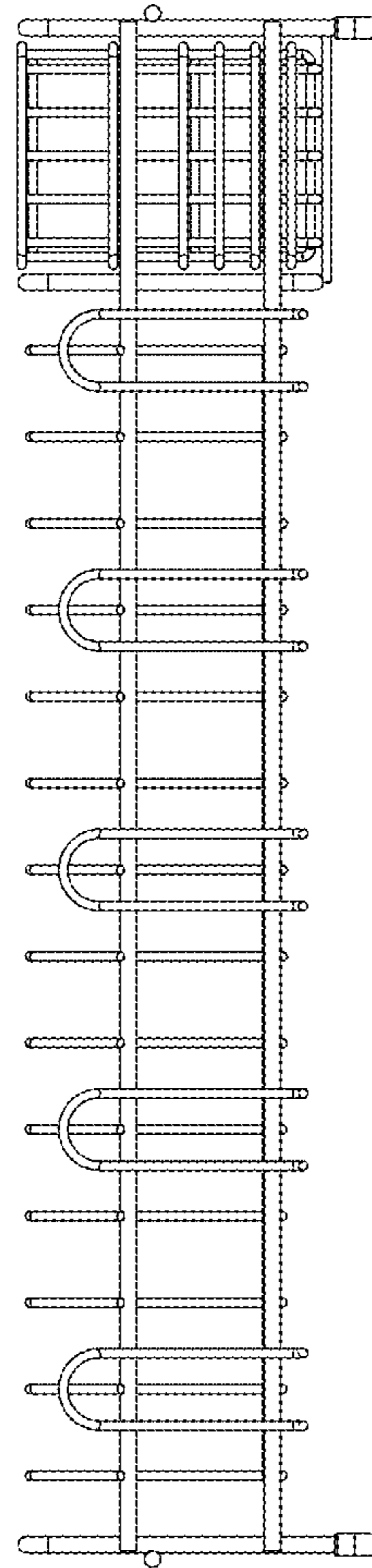


FIG. 5

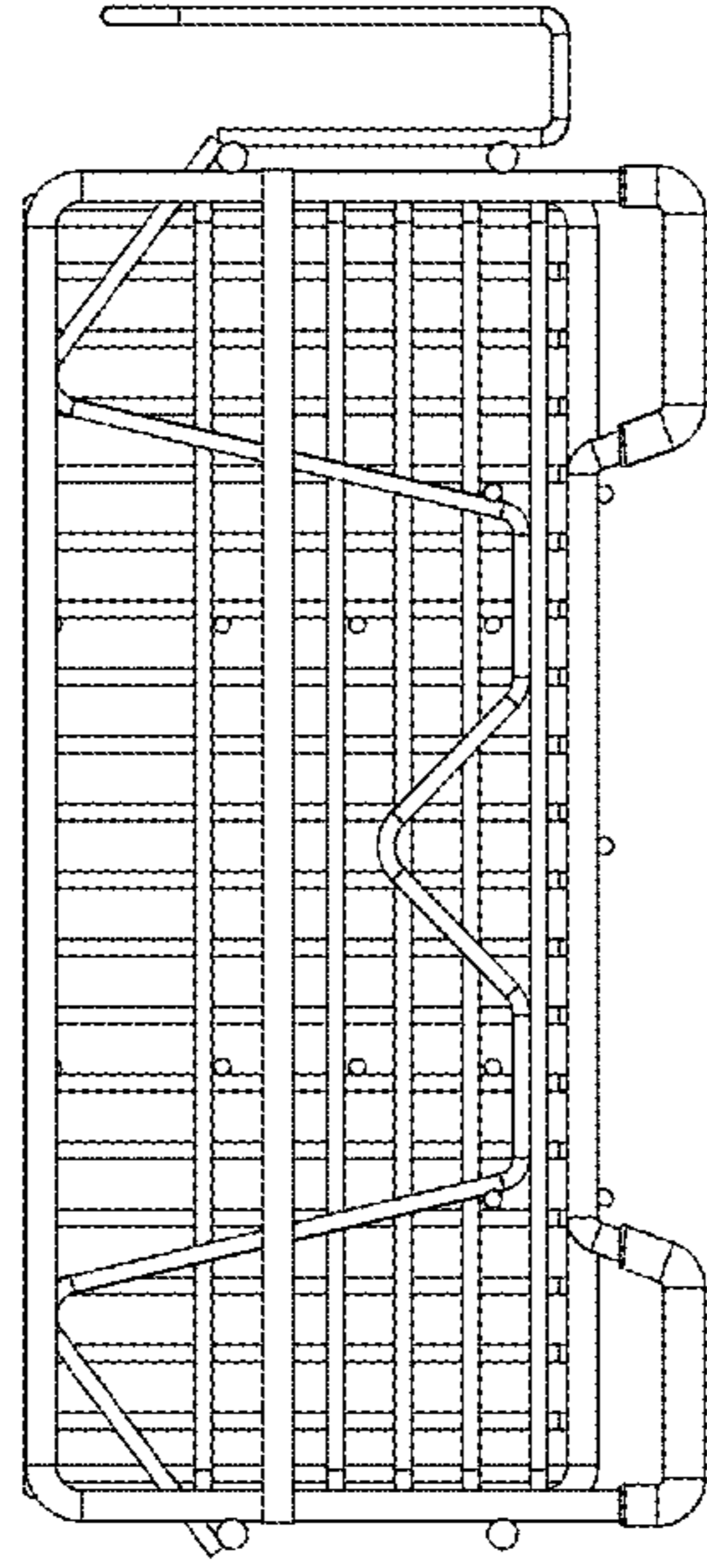


FIG. 6

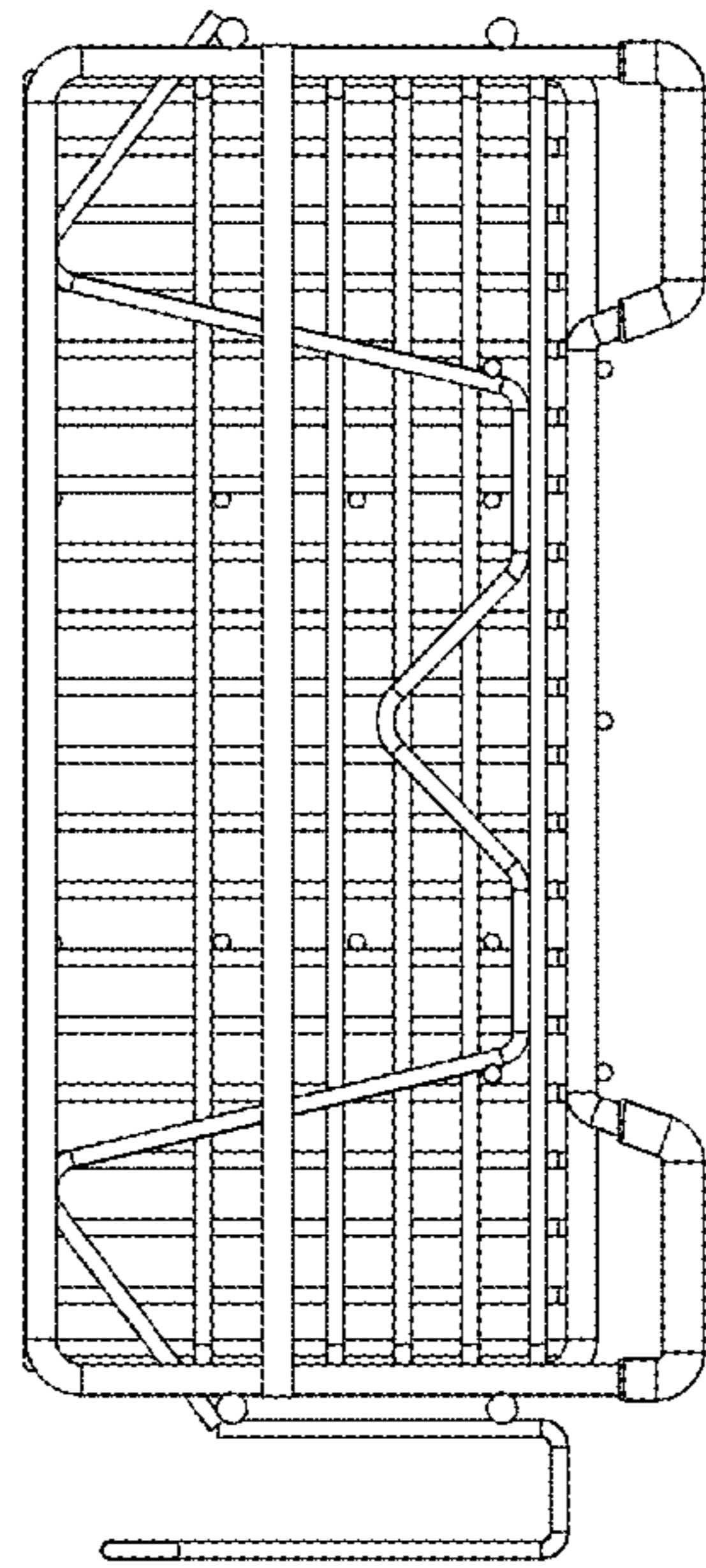


FIG. 7

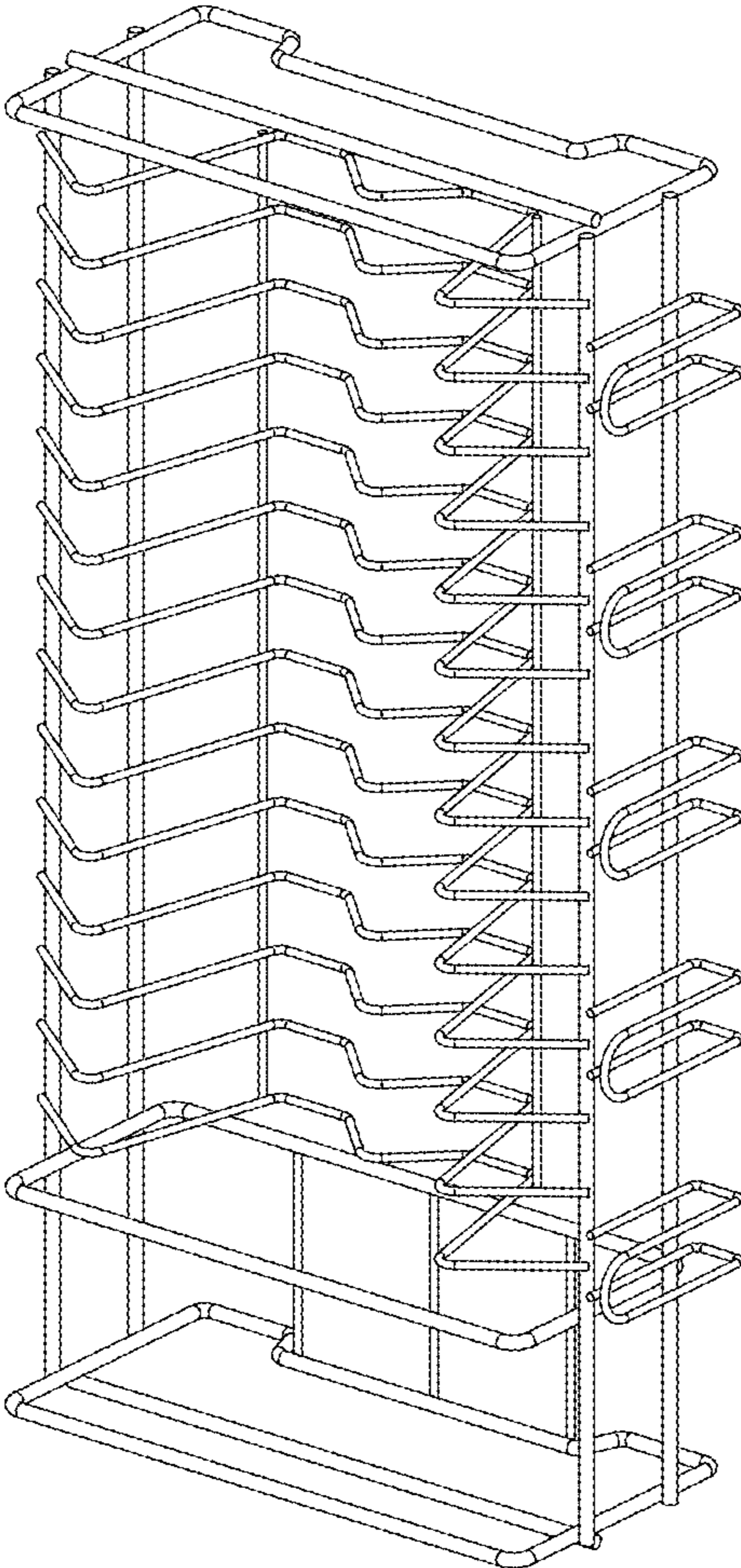


FIG. 8

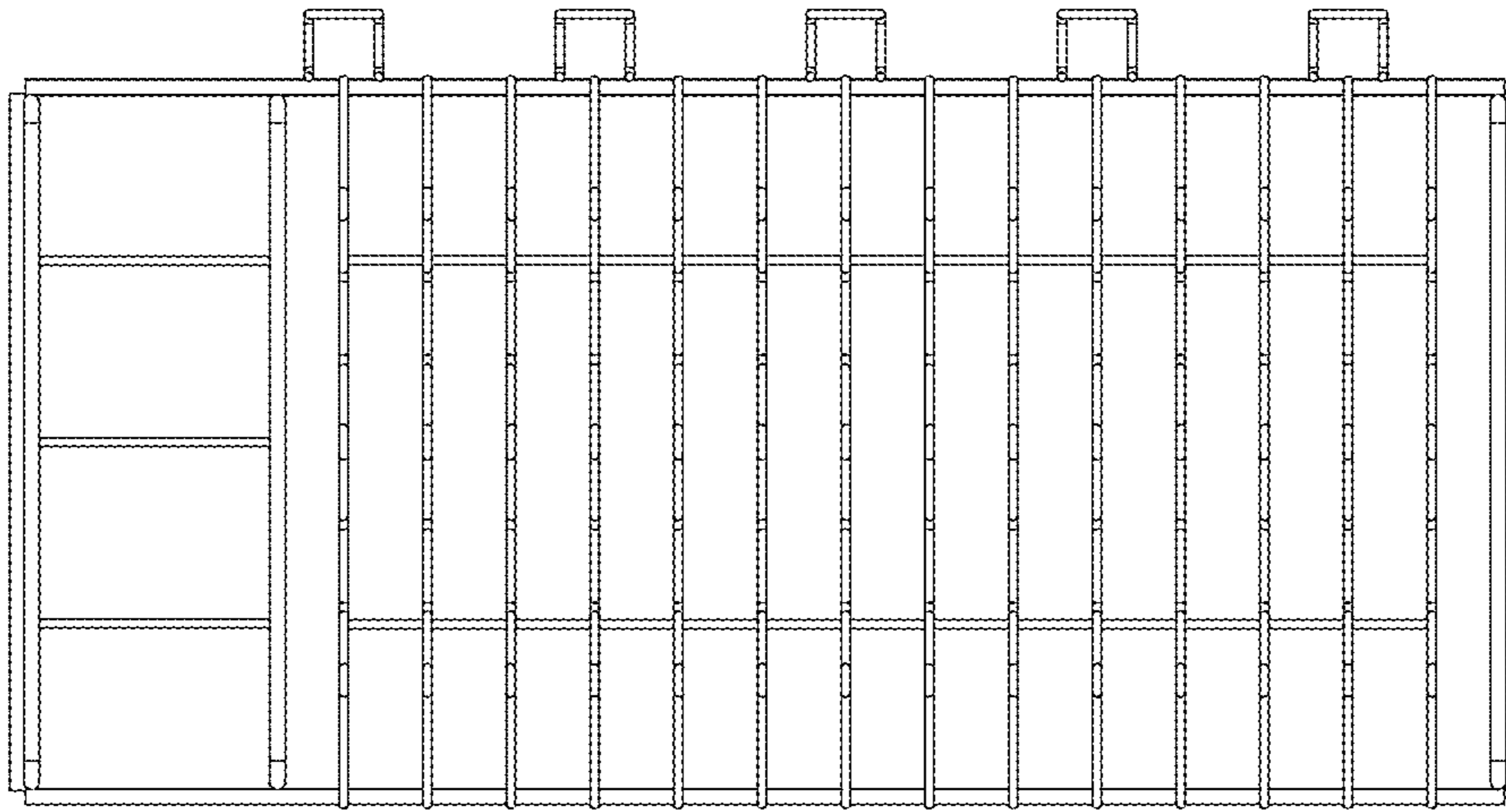


FIG. 10

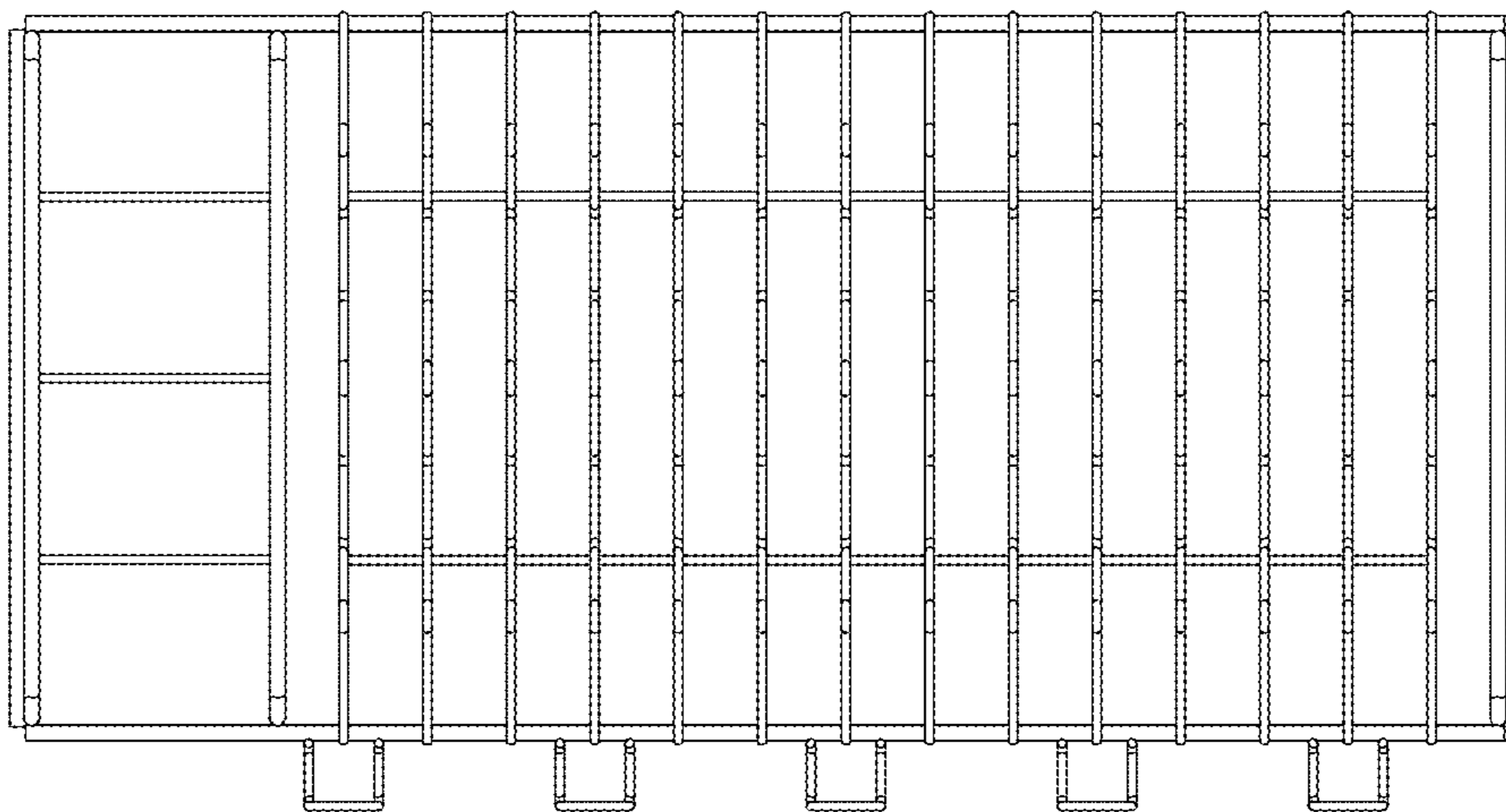


FIG. 9



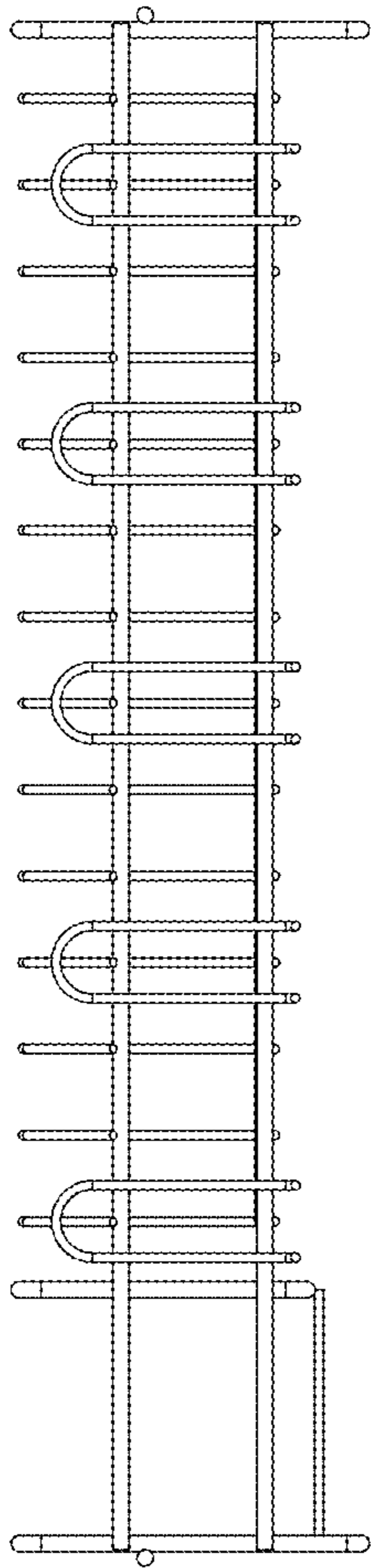


FIG. 11

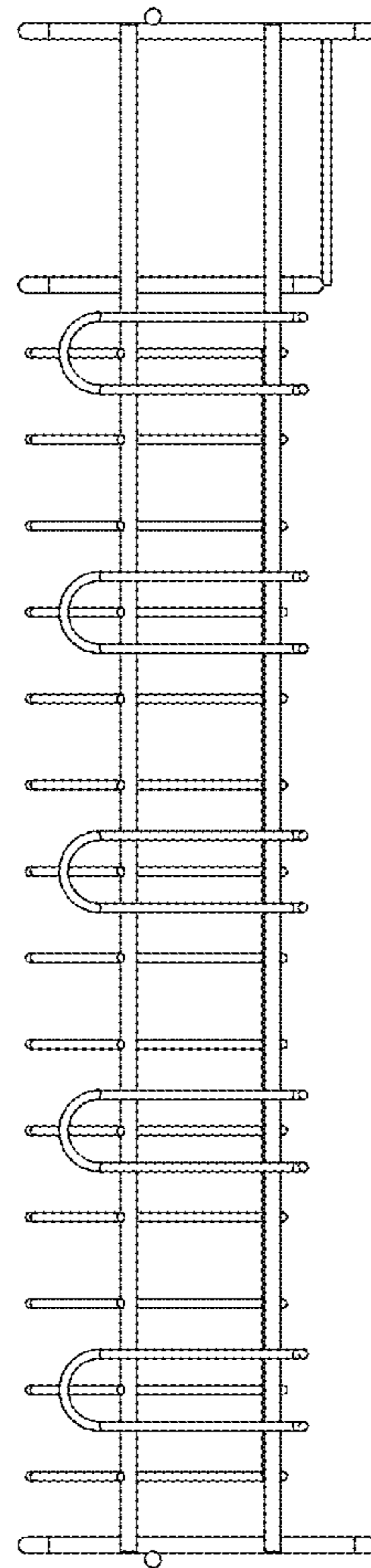


FIG. 12

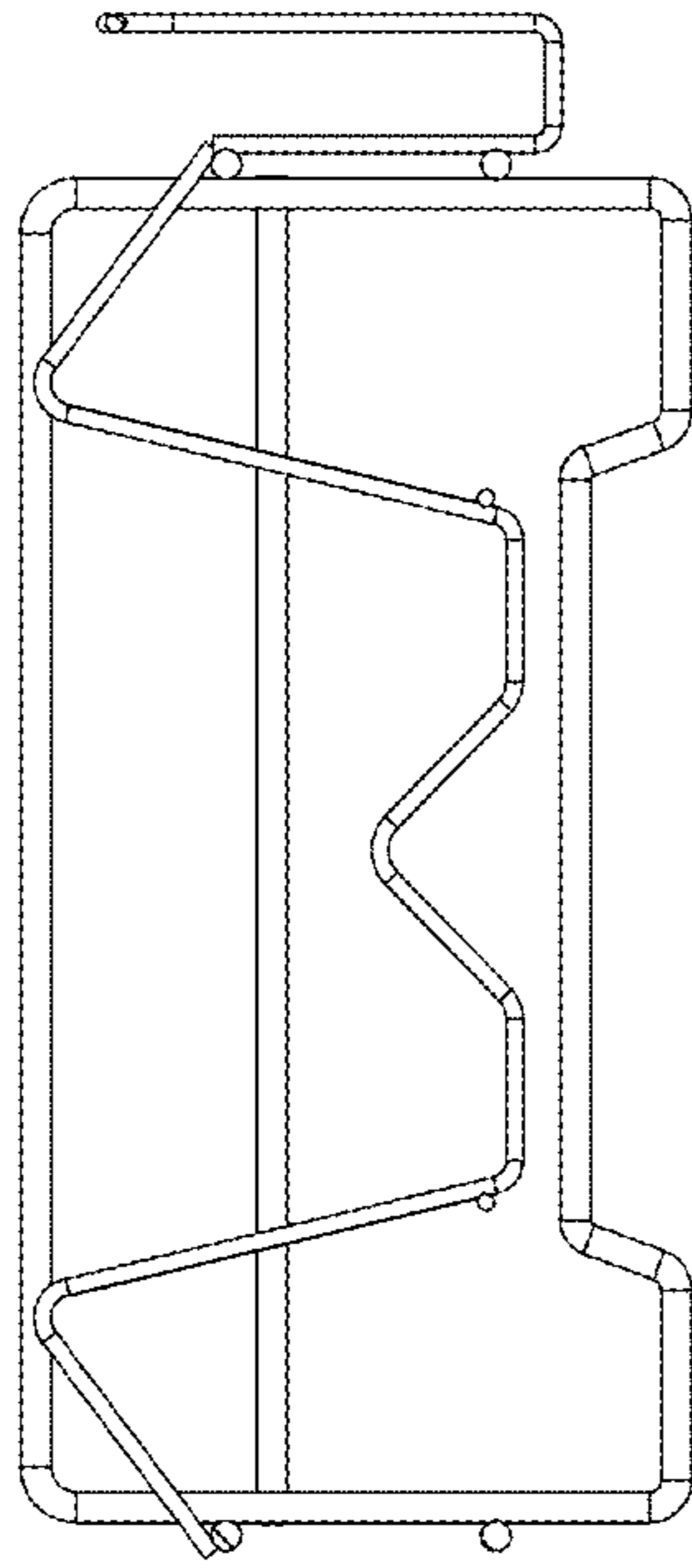


FIG. 14

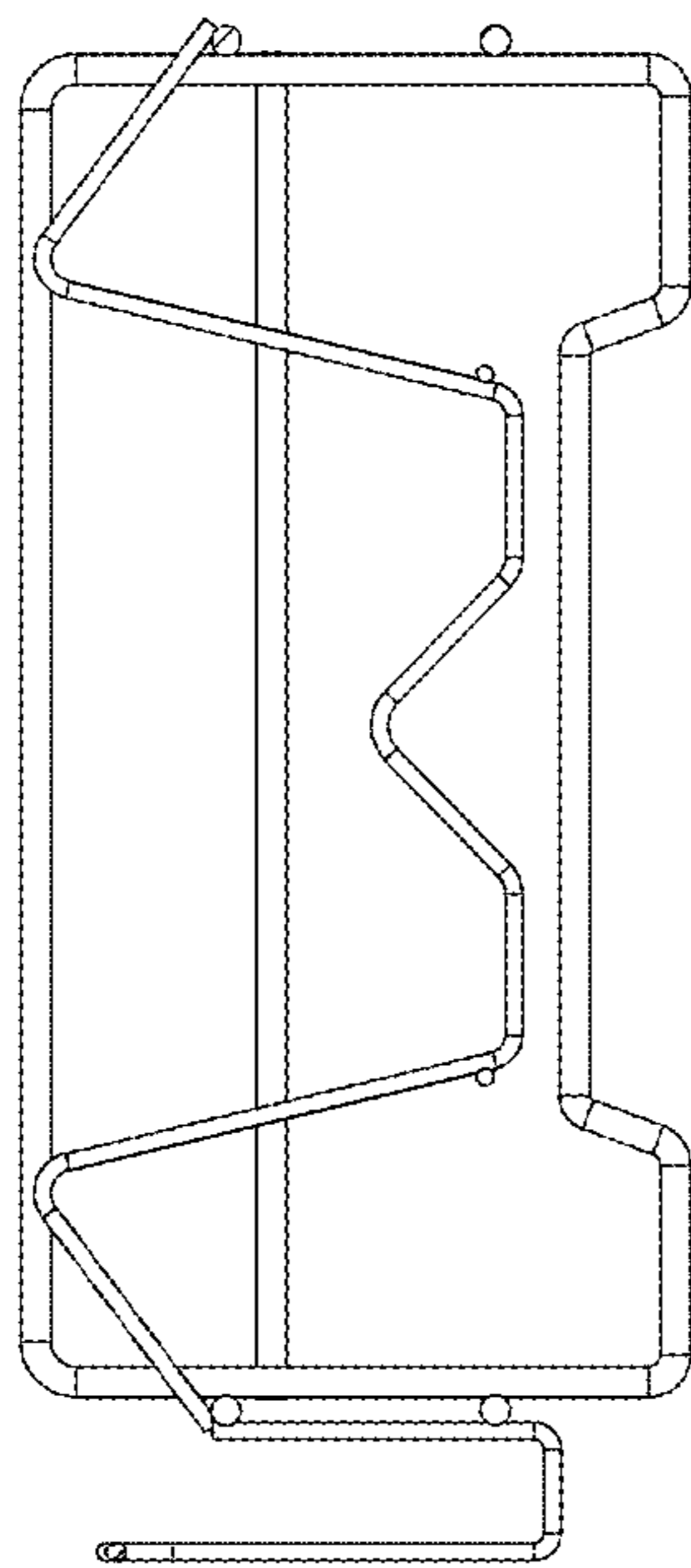


FIG. 13

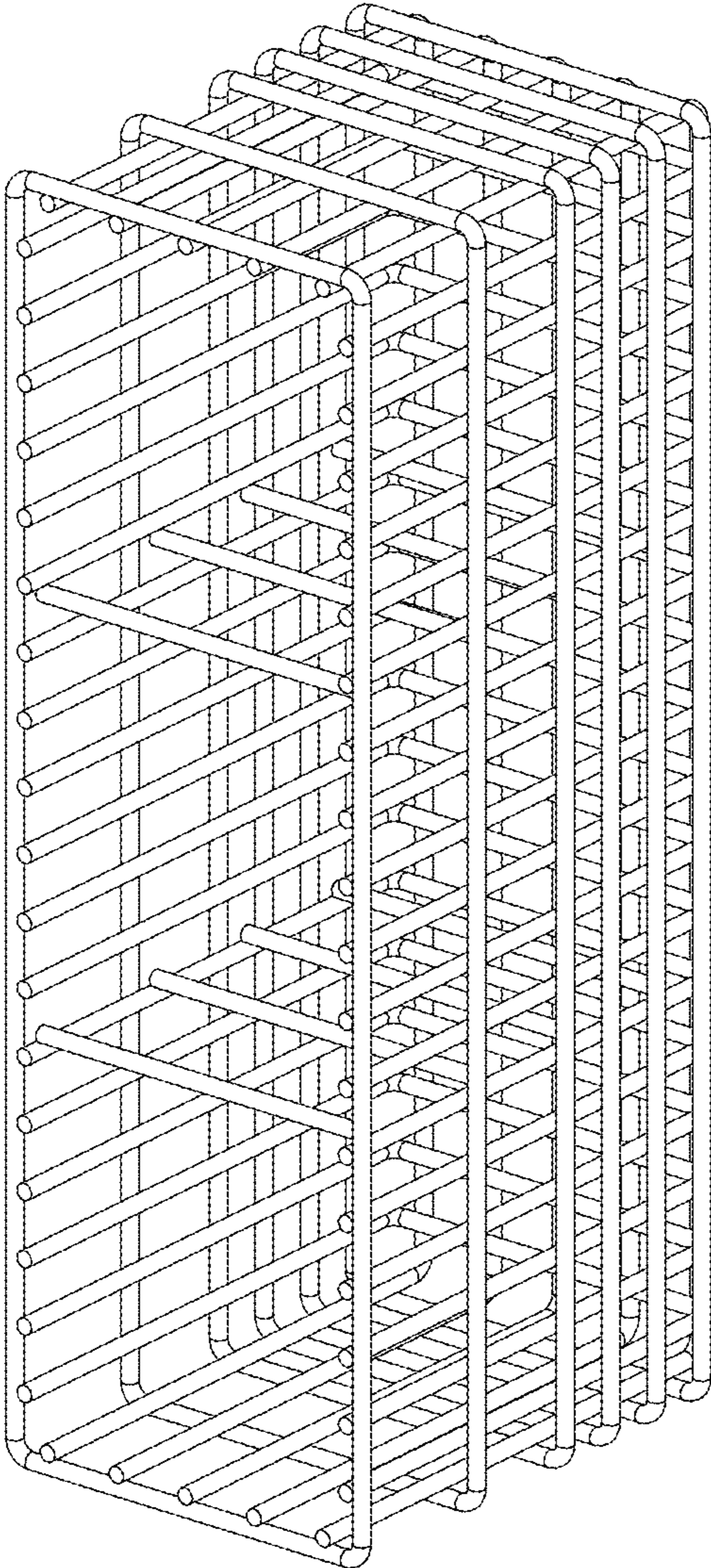


FIG. 15

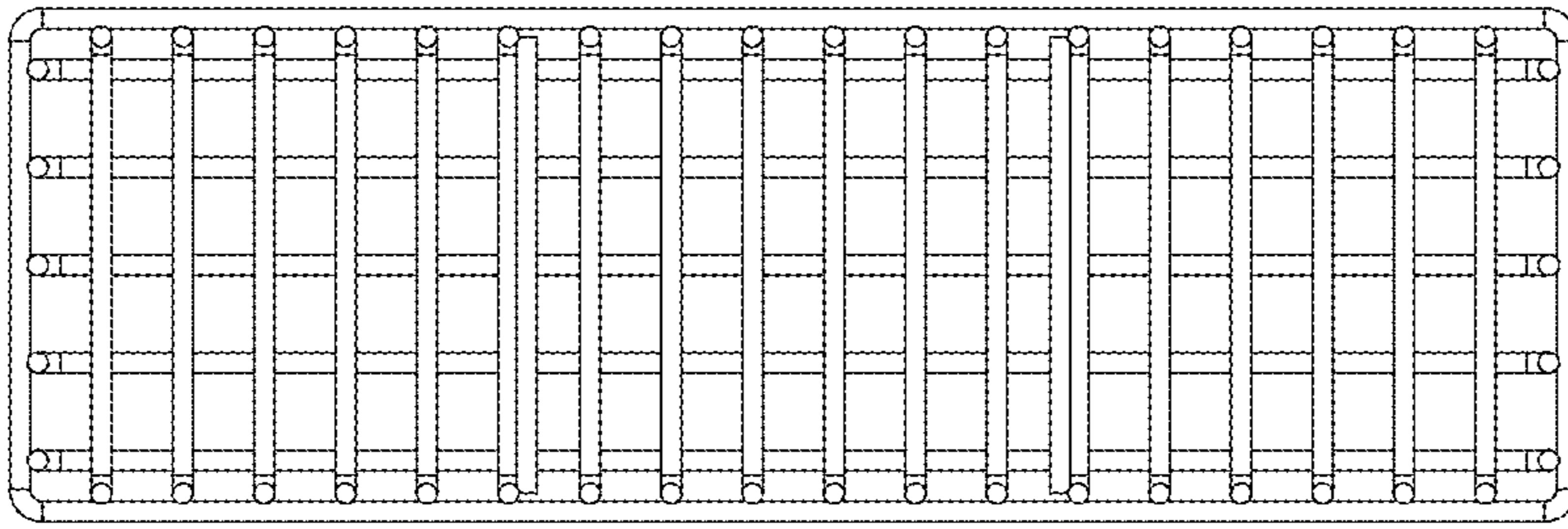


FIG. 17

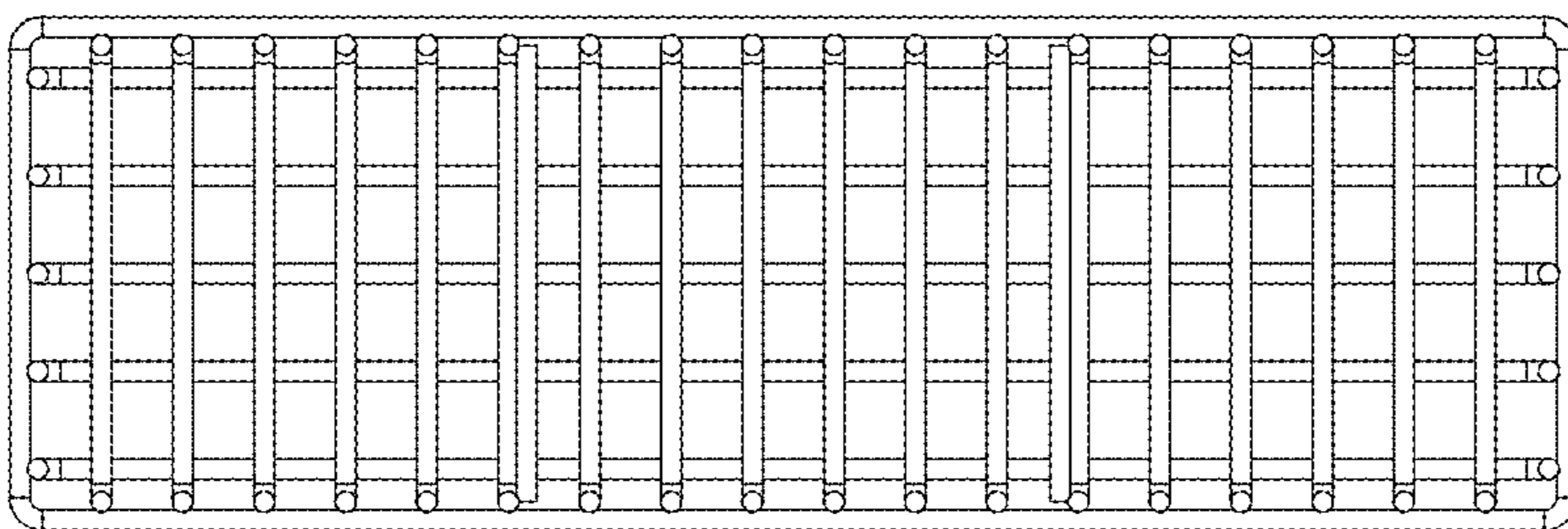


FIG. 16

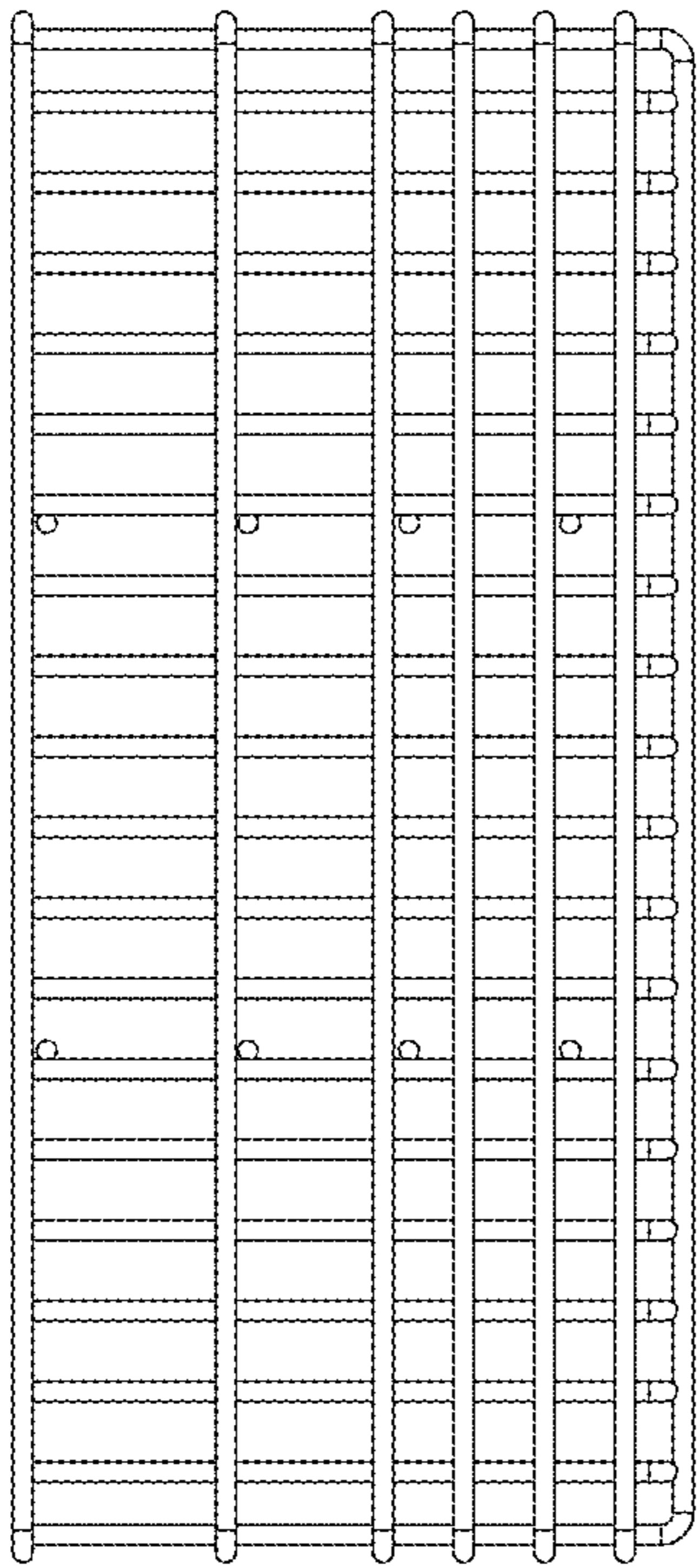


FIG. 18

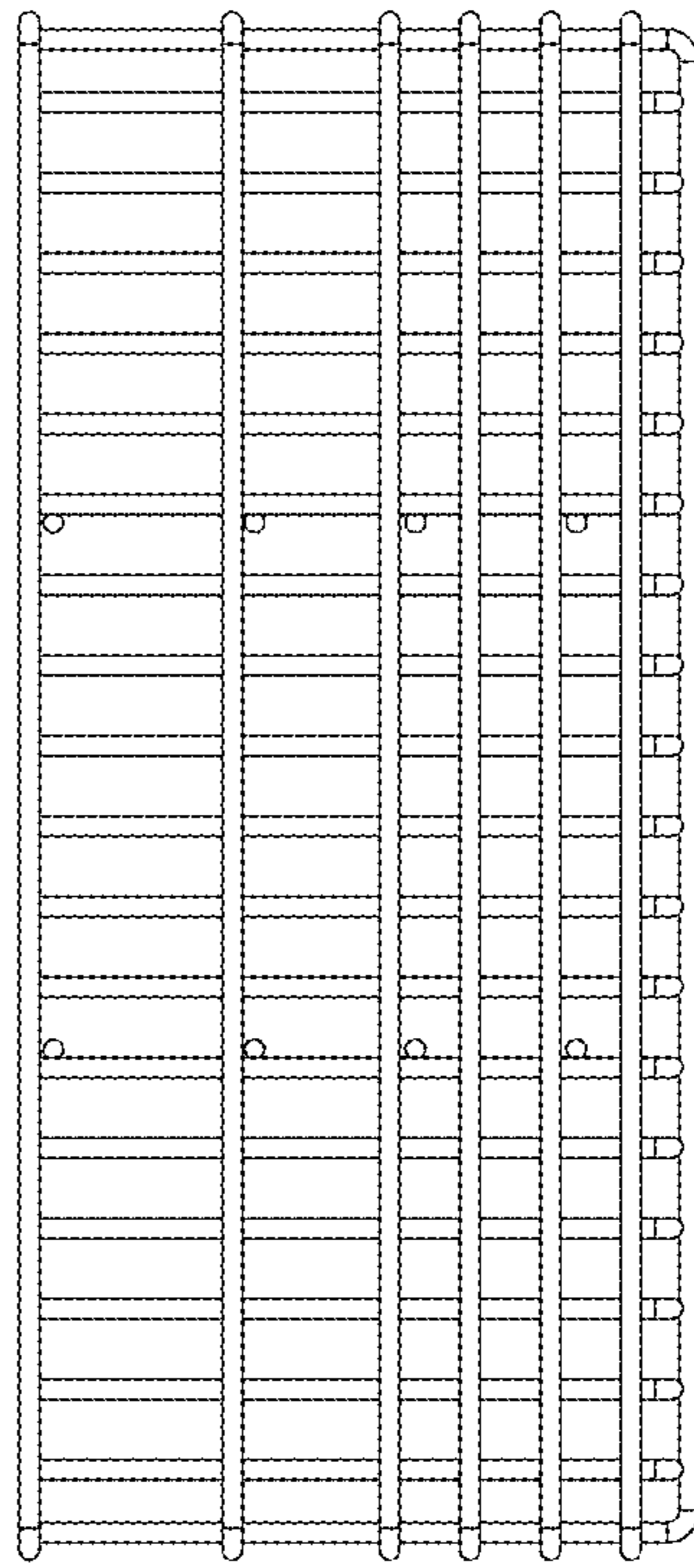


FIG. 19

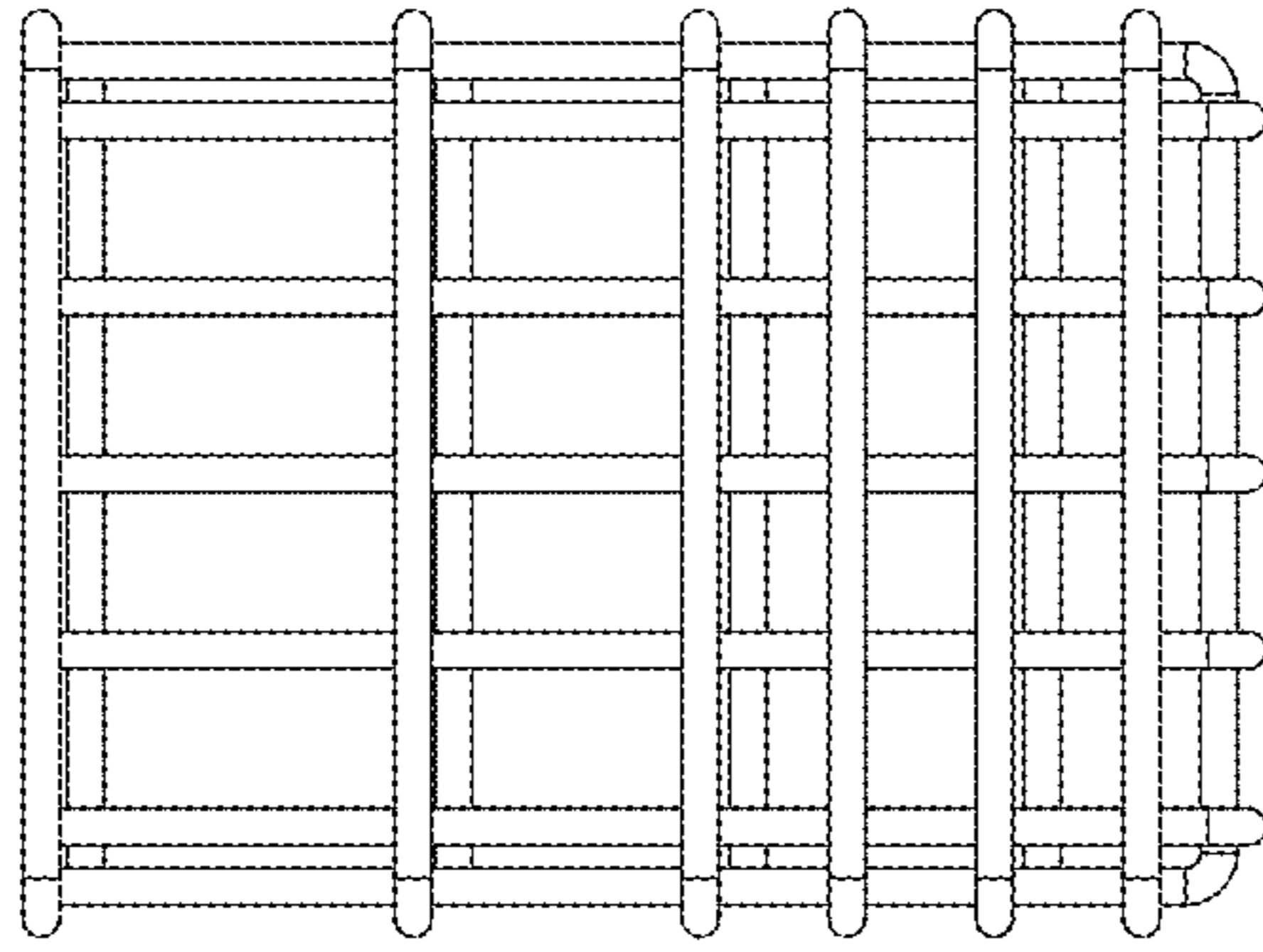


FIG. 21

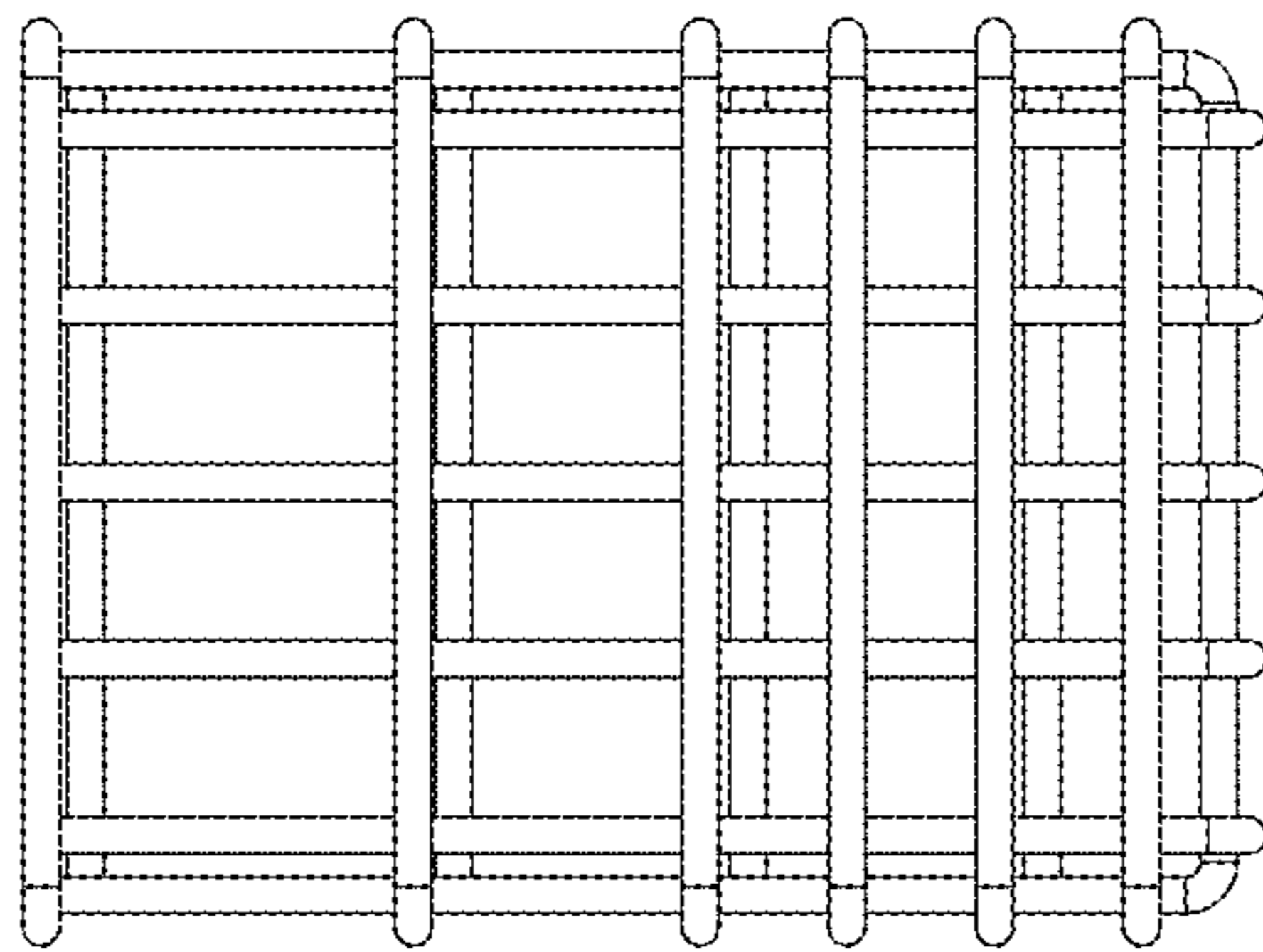


FIG. 20

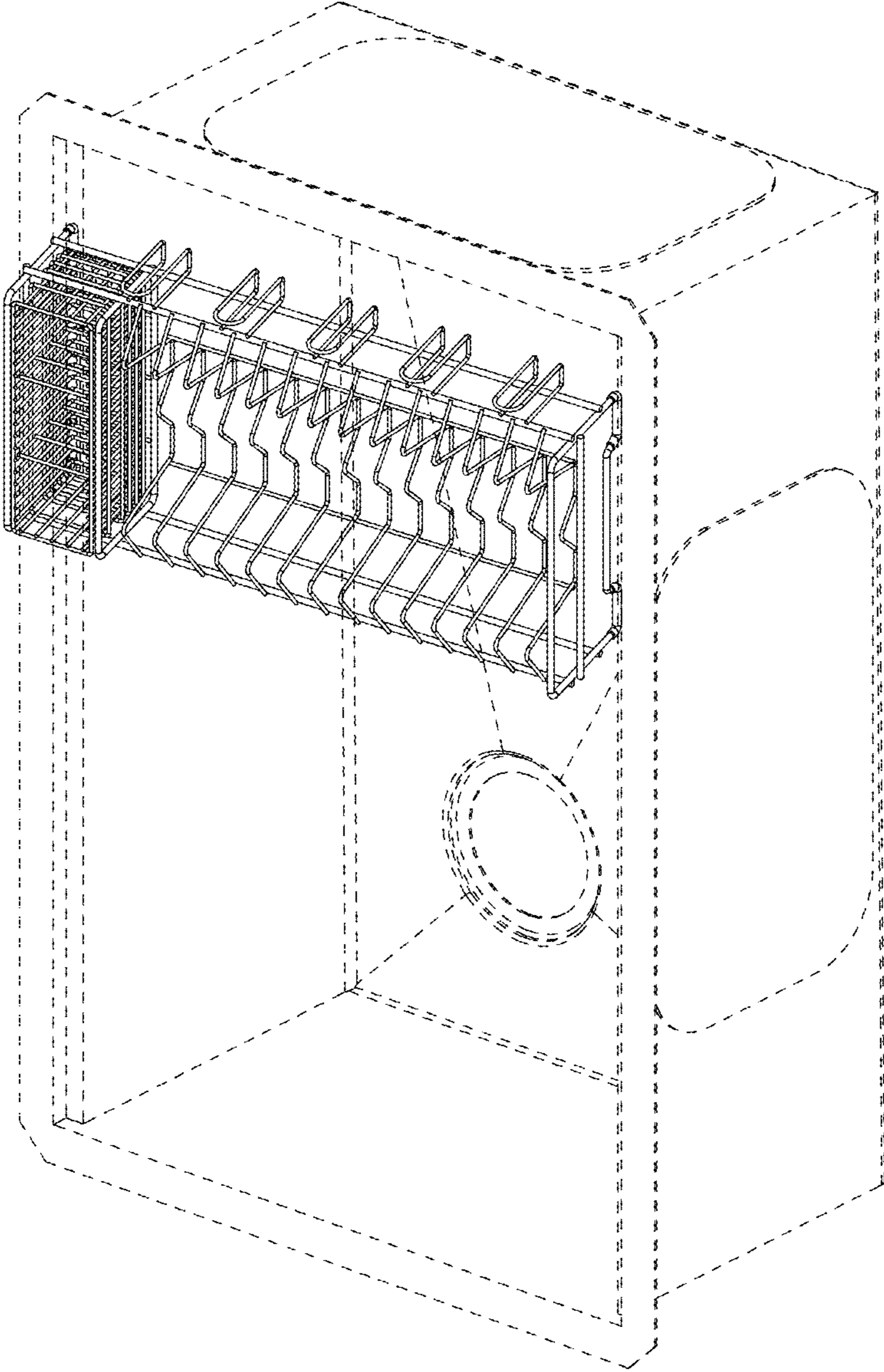


FIG. 22