

US00D960477S

(12) **United States Design Patent**
Wen et al.

(10) **Patent No.: US D960,477 S**

(45) **Date of Patent: ** Aug. 9, 2022**

(54) **PAINT CONTAINER**

FOREIGN PATENT DOCUMENTS

(71) Applicant: **NINGBO ROLLINGDOG TOOLS CO., LTD.**, Zhejiang (CN)

CA 2516892 A1 * 4/2006 B44D 3/121

(72) Inventors: **Jiajia Wen**, Zhejiang (CN); **Jiyao Zhang**, Zhejiang (CN)

OTHER PUBLICATIONS

Purdy Dual Roll-Off 5-Gallon Bucket <http://shop37004.patrahost.com/content?c=paint%20tray%20for%205%20gallon%20bucket&id=14> (Year: 2022).*

(**) Term: **15 Years**

(Continued)

(21) Appl. No.: **29/795,168**

Primary Examiner — Kevin K Rudzinski
Assistant Examiner — Richard E Yenchesky

(22) Filed: **Jun. 17, 2021**

(51) **LOC (13) Cl.** **07-05**

(52) **U.S. Cl.**

USPC **D32/53.1**

(58) **Field of Classification Search**

USPC D32/53, 53.1

CPC B65D 25/2829; B44D 3/121; B44D 3/123;

B44D 3/128; B44D 3/12; B44D 3/126;

B44D 3/127

See application file for complete search history.

(57) **CLAIM**

The ornamental design for a paint container, as shown and described.

DESCRIPTION

(56) **References Cited**

U.S. PATENT DOCUMENTS

D223,302 S * 4/1972 Golden D32/53.1

3,707,242 A * 12/1972 Golden E06C 7/14

220/570

D248,335 S * 6/1978 Cooke D32/53.1

4,297,762 A * 11/1981 Crysedale B44D 3/126

222/424.5

5,493,751 A * 2/1996 Misiukowicz E06C 7/146

D32/53.1

D457,995 S * 5/2002 Clark D32/53.1

D477,702 S * 7/2003 Kohn D32/53.1

6,622,340 B2 * 9/2003 Rosa B05C 17/0245

220/570

D482,830 S * 11/2003 Kohn D32/53.1

D518,263 S * 3/2006 Verhaar D32/53.1

D549,913 S * 8/2007 Bergman D32/53

D581,119 S * 11/2008 Bergman D32/53.1

D606,720 S * 12/2009 Bergman D32/53

D678,638 S * 3/2013 Bergman D32/54

D692,198 S * 10/2013 Bergman D32/54

(Continued)

FIG. 1 is a front and top perspective view of a paint container, showing our new design;

FIG. 2 is a rear and bottom perspective view thereof;

FIG. 3 is a front elevation view thereof;

FIG. 4 is a rear elevation view thereof;

FIG. 5 is a left side elevation view thereof;

FIG. 6 is a right side elevation view thereof;

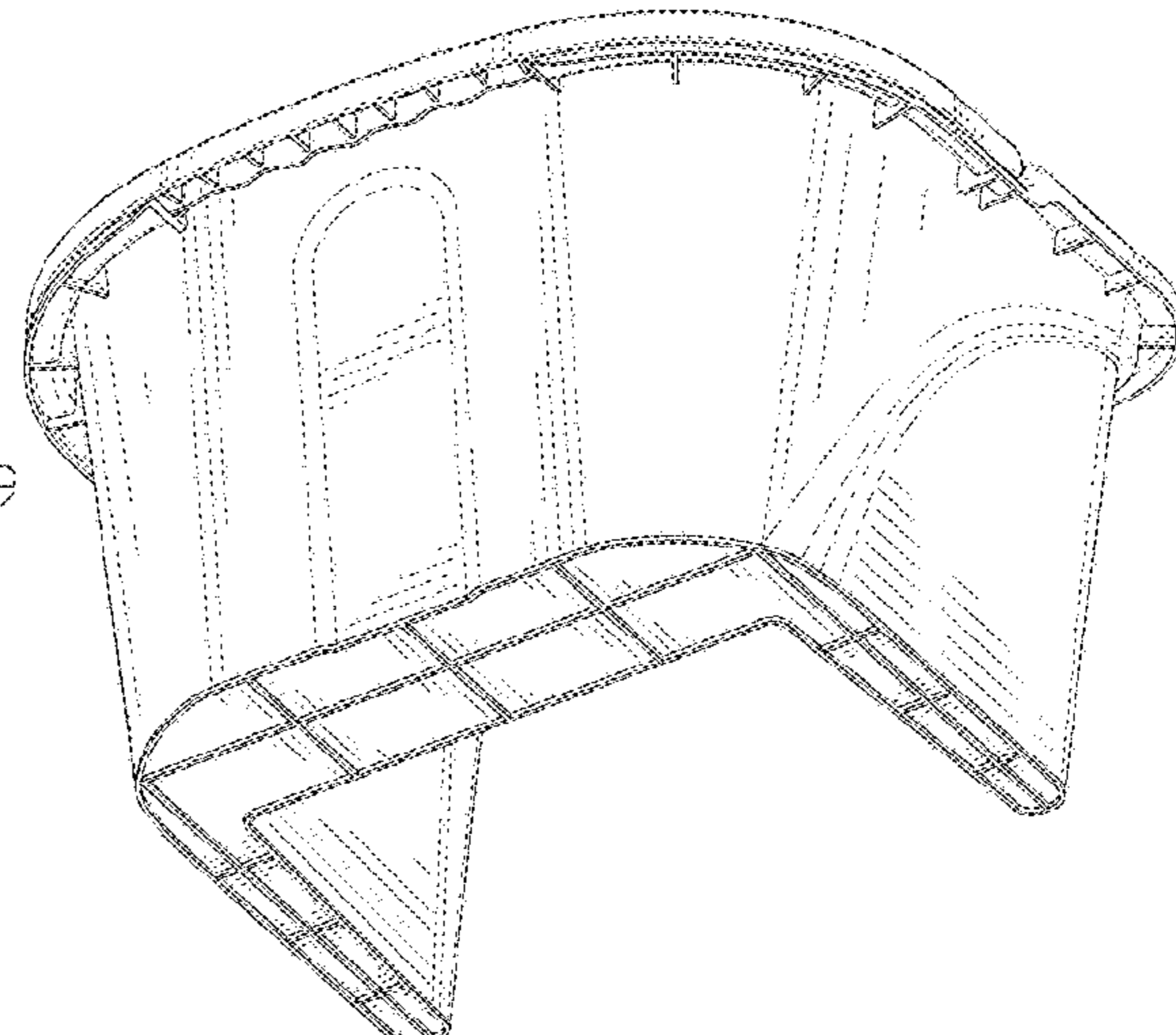
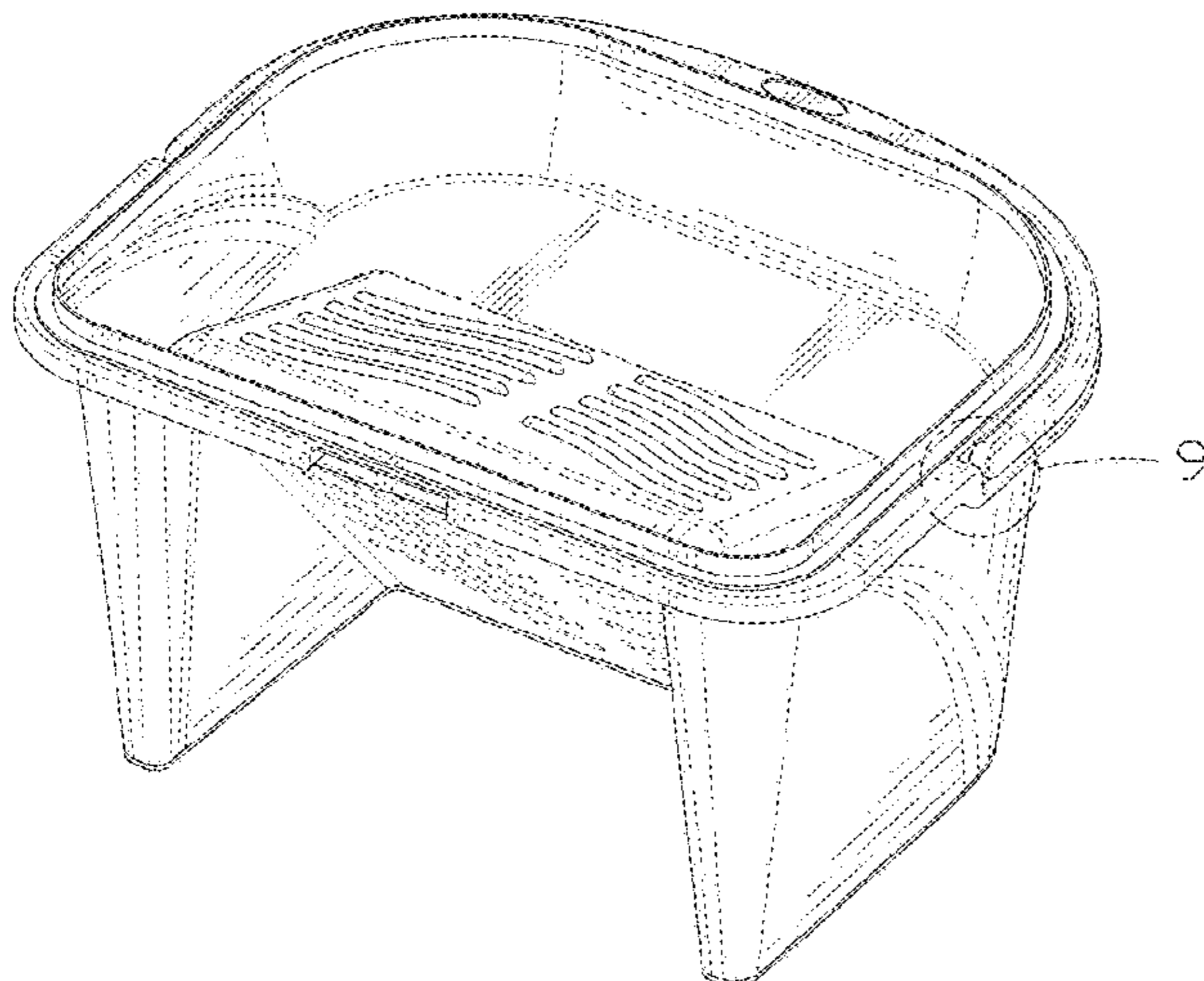
FIG. 7 is a top plan view thereof;

FIG. 8 is a bottom plan view thereof; and,

FIG. 9 is an enlarged view of a portion labeled of a portion indicated with numeric 9 in FIG. 1.

The broken lines in the figures illustrate portions of the paint container that form no part of the claimed design. The dash dot dash lines in FIGS. 1 and 9 are for the purpose of depicting the cut line of the enlarged view and form no part of the claim. The broken lines in the figures illustrate portions of the article that form no part of the claimed design.

1 Claim, 9 Drawing Sheets



(56)

References Cited

U.S. PATENT DOCUMENTS

D694,976 S * 12/2013 Lambertson, Jr. D32/53
D728,884 S * 5/2015 Waffensmith D32/54
D756,049 S * 5/2016 Arvinte D32/53
D832,544 S * 10/2018 Bergman D32/53.1
D867,708 S 11/2019 Bergman et al.
D917,122 S * 4/2021 Hamilton D32/53.1
2004/0195248 A1 * 10/2004 Garcia B44D 3/121
220/570
2009/0019659 A1 * 1/2009 Hill B44D 3/123
220/570
2009/0020451 A1 * 1/2009 Ospina B44D 3/126
220/570

OTHER PUBLICATIONS

Amazon.com Mini Roller Paint Pail https://www.amazon.com/Richard-92095-Roller-Paint-Ladder/dp/B06Y8RKCR5/ref=zg_bs_17881638011_82/138-2376753-8489502?pd_rd_i=B06Y8RKCR5&pssc=1 (Year: 2017).*
marshalltown.com Heavy-Duty Paint Tray <https://marshalltown.com/pro-3714-heavy-duty-paint-tray> (Year: 2022).*

* cited by examiner

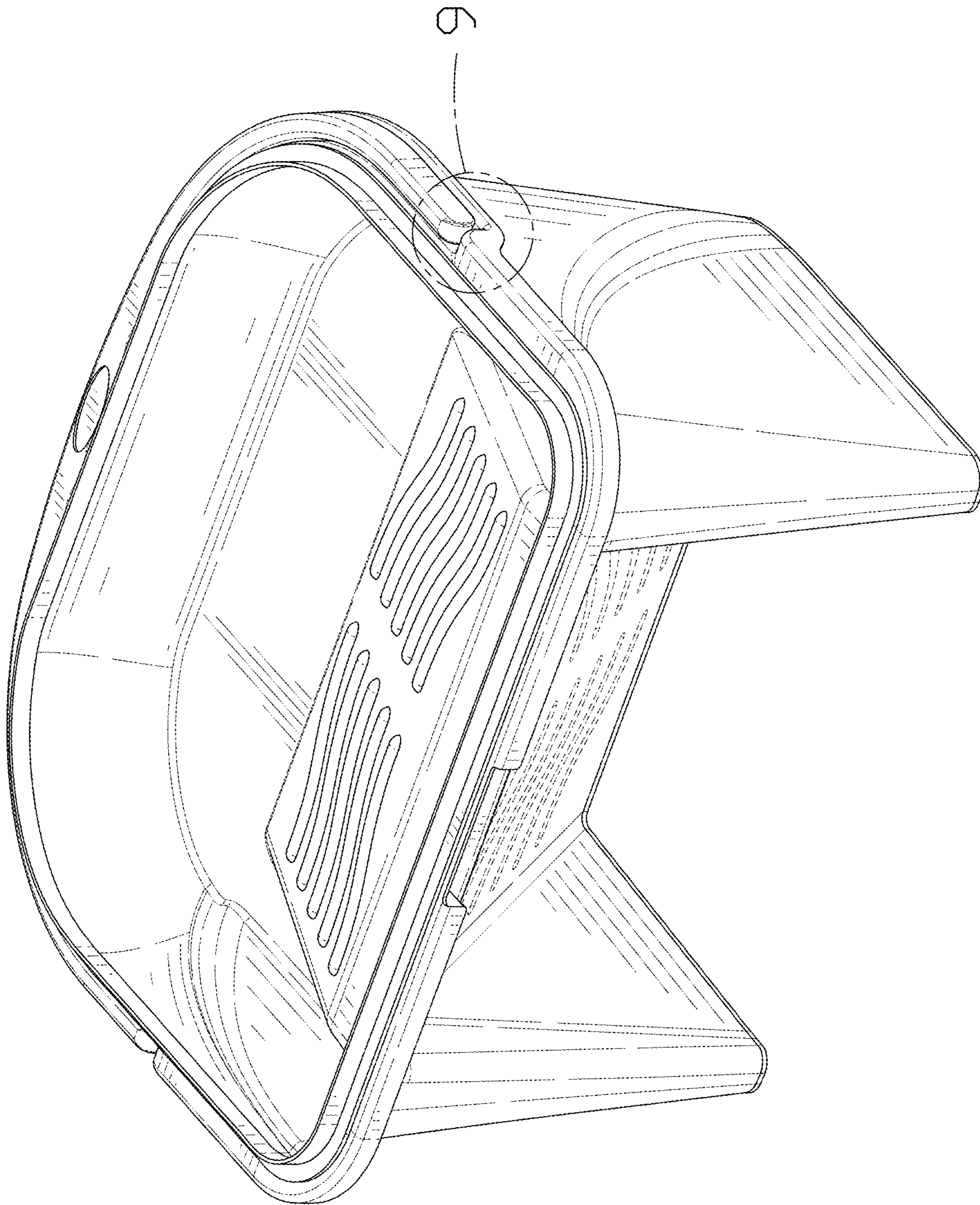


FIG. 1

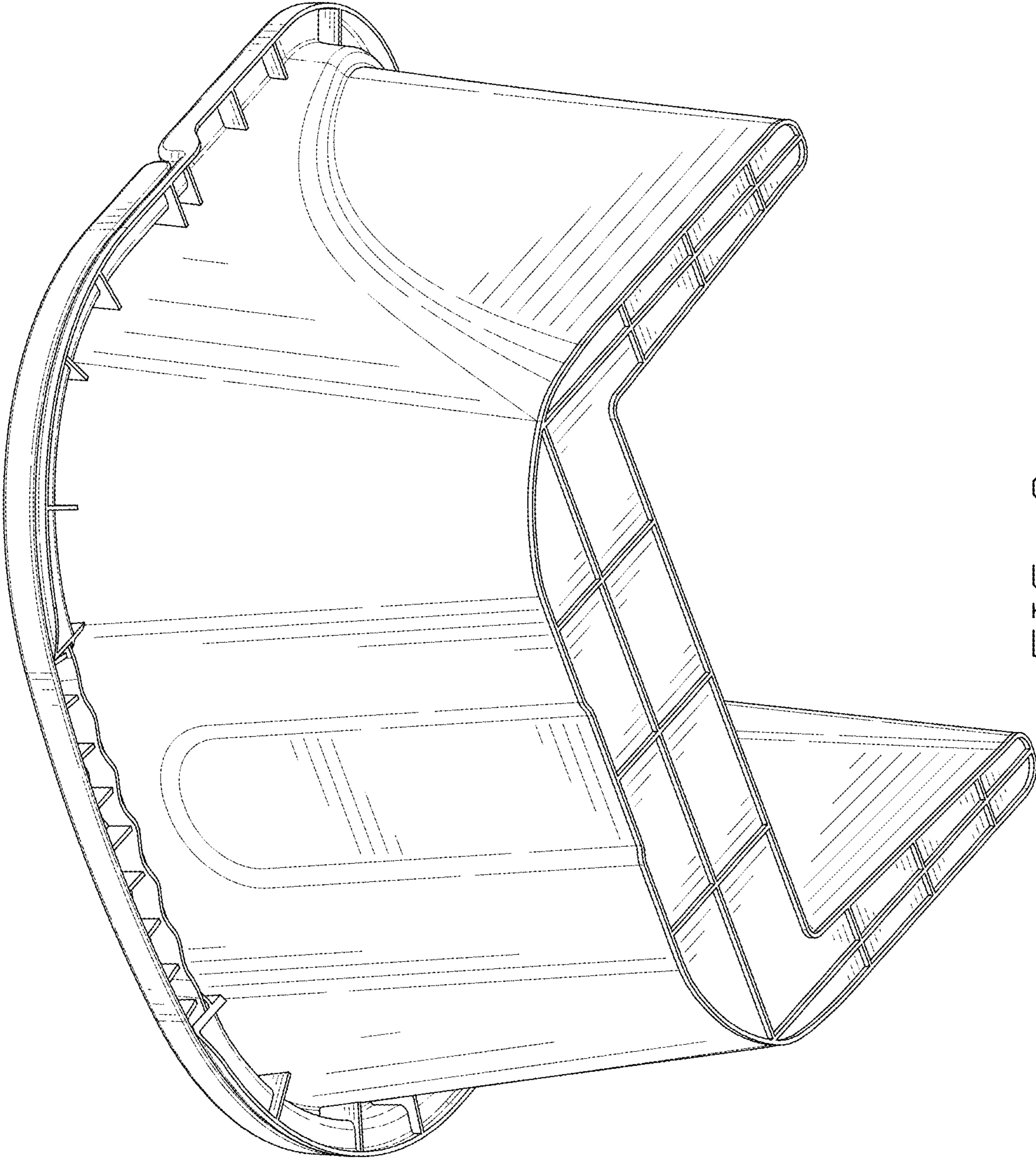


FIG. 2

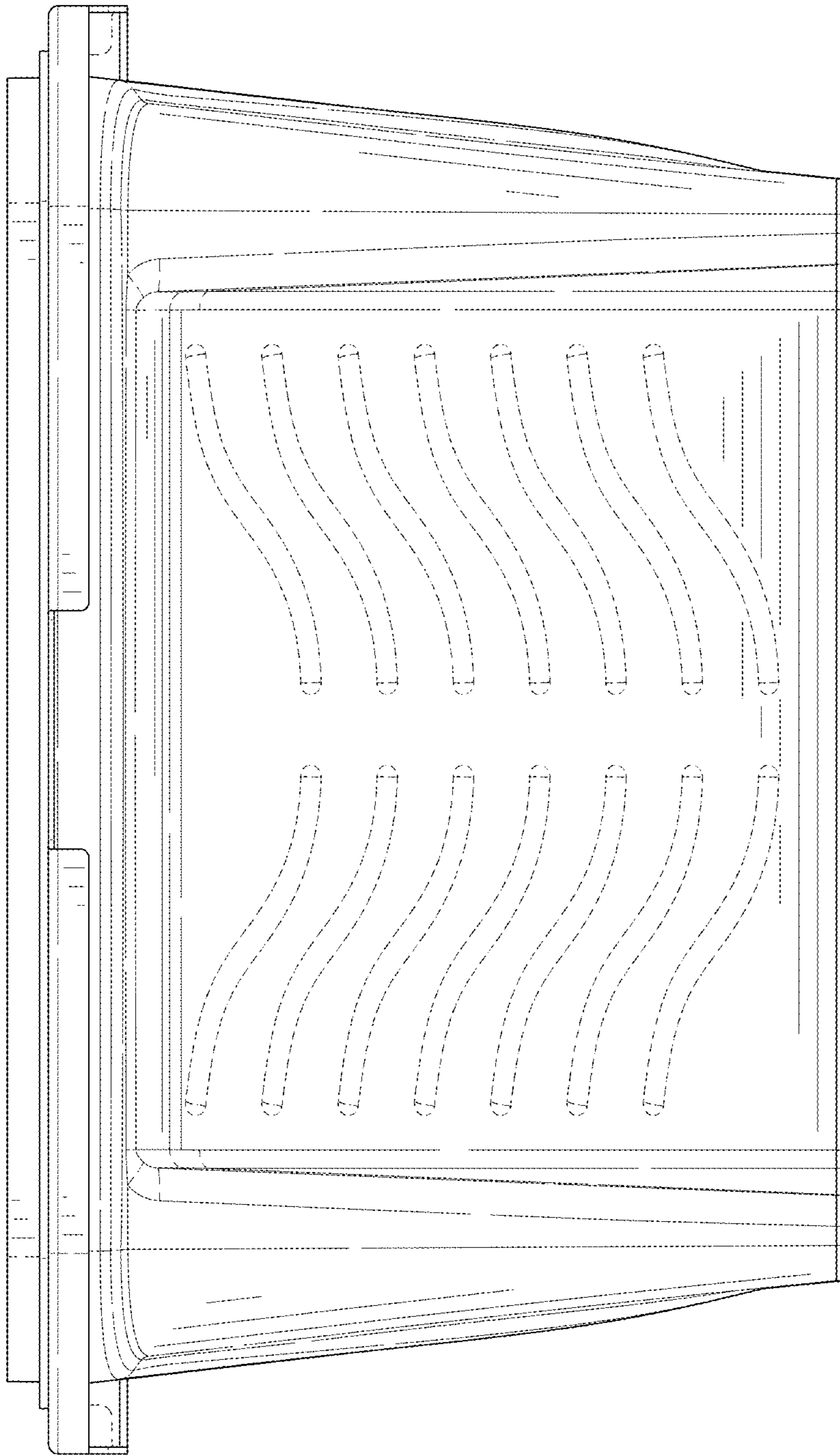


FIG. 3

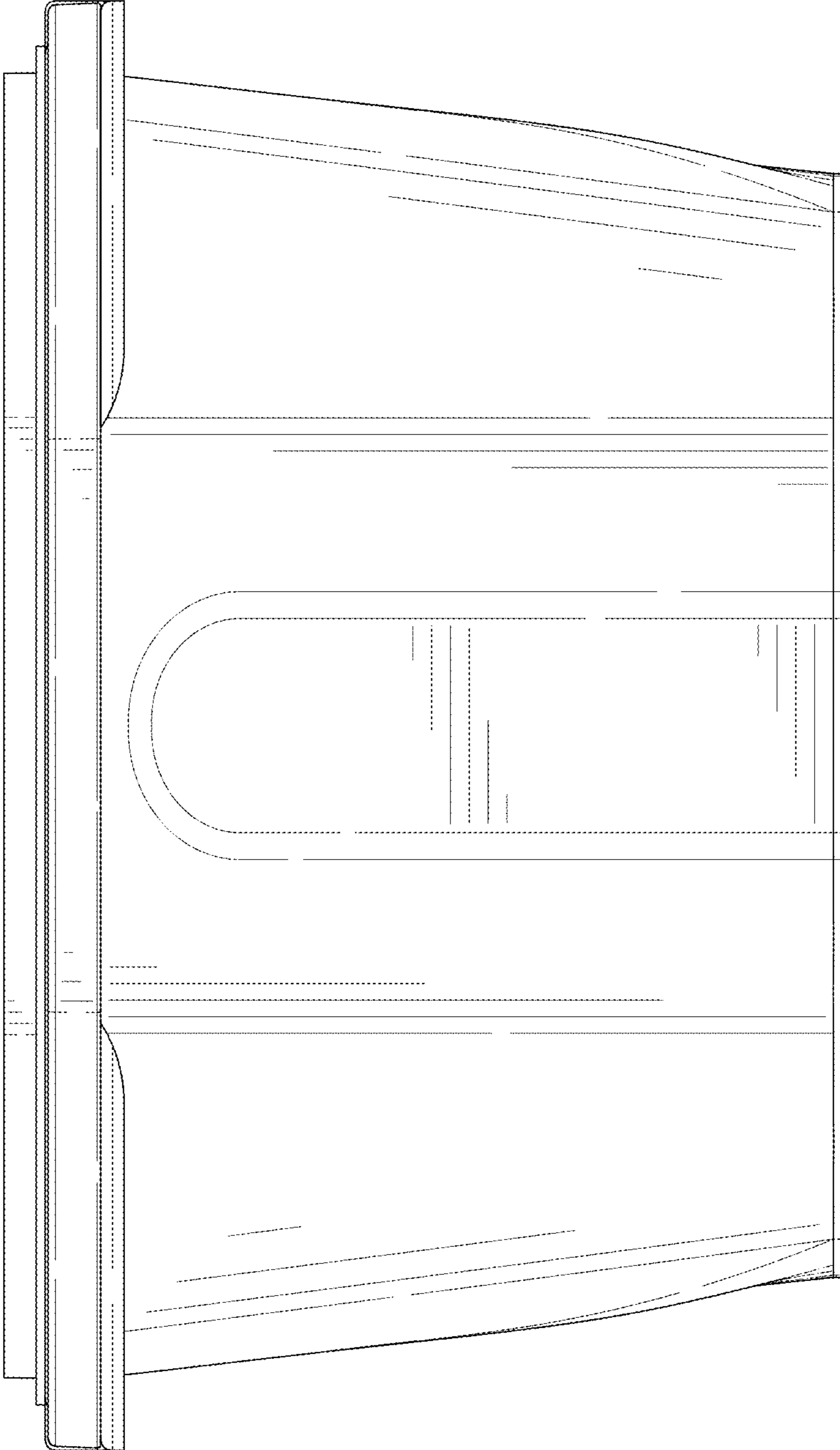


FIG. 4

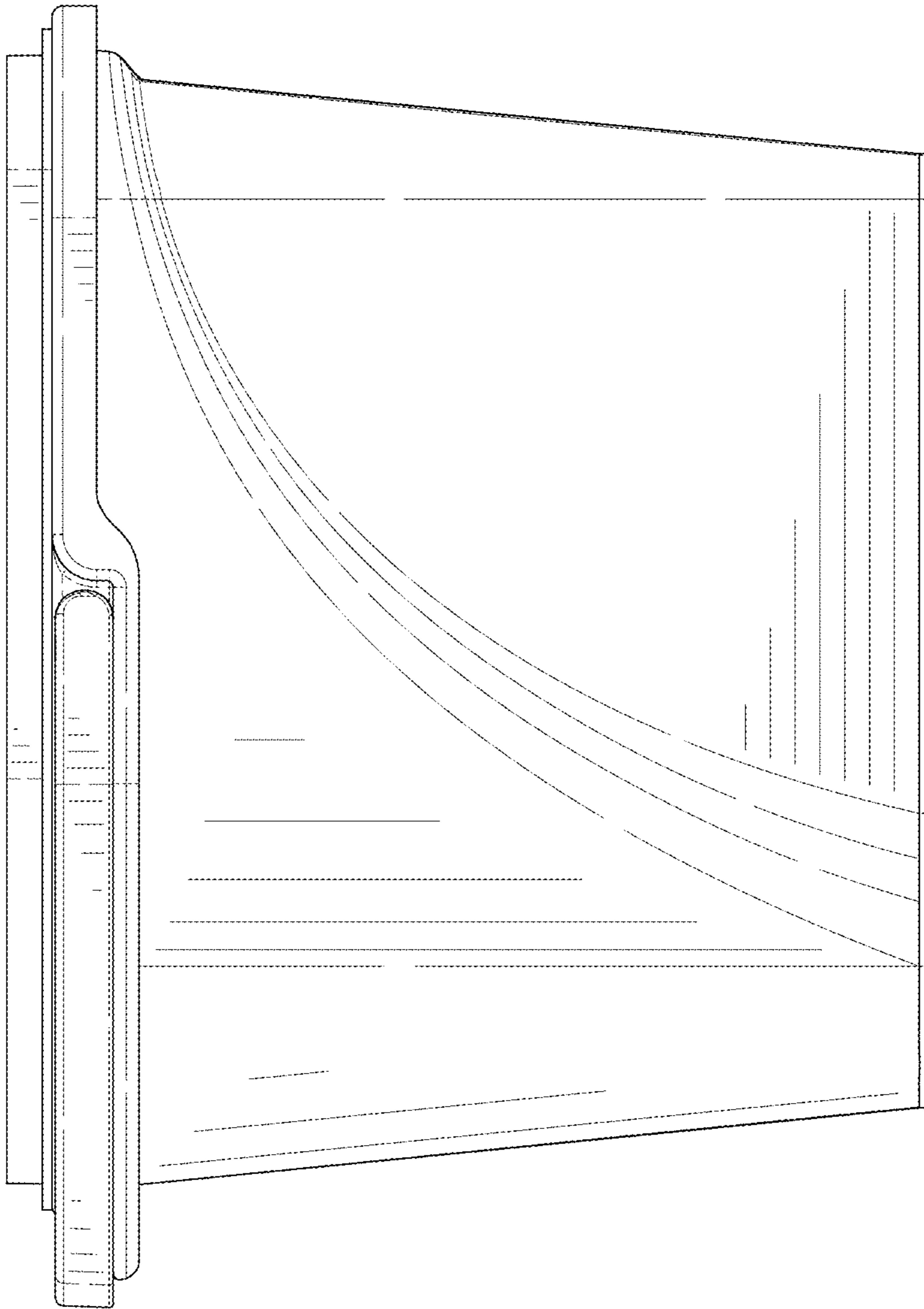


FIG. 5

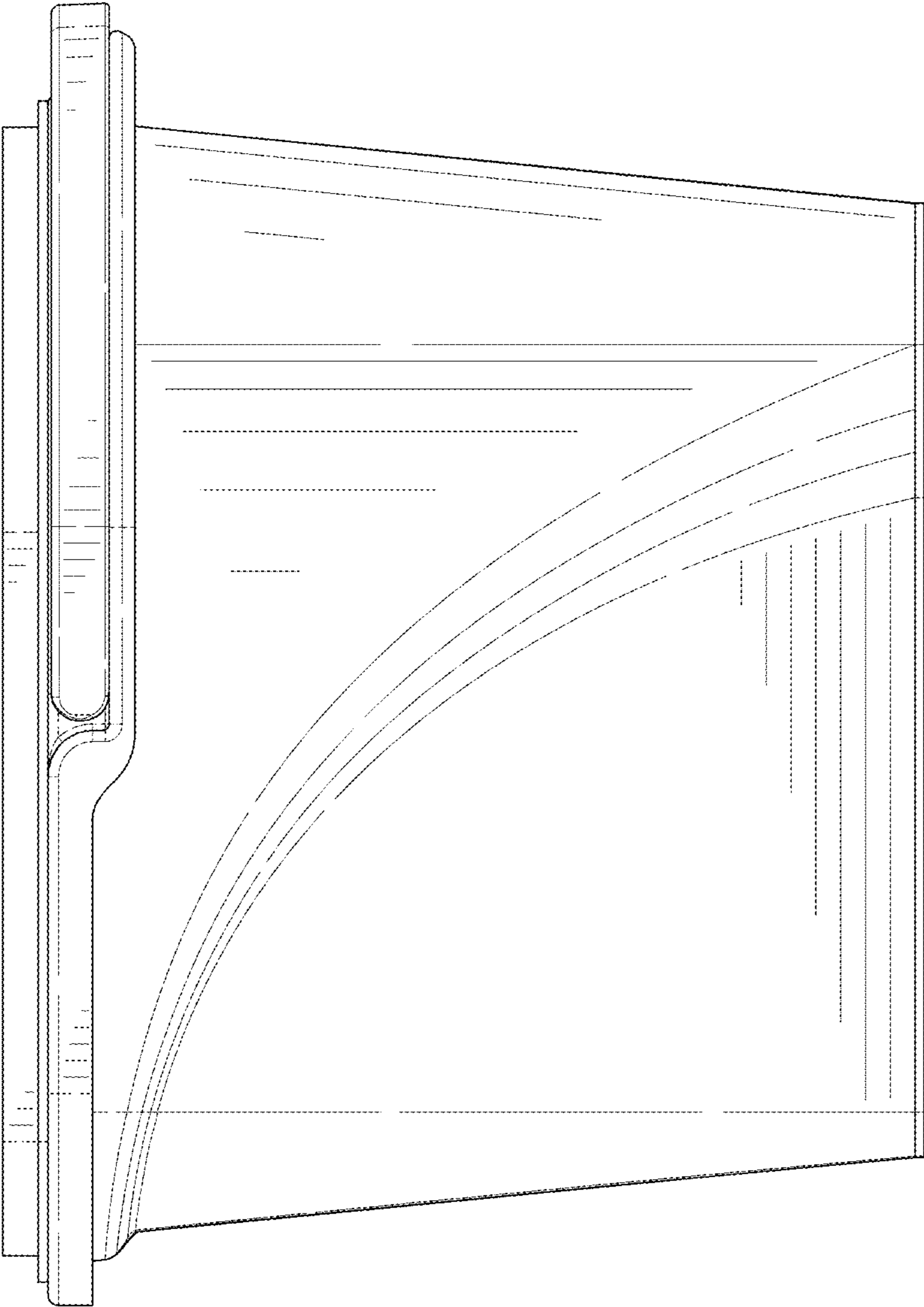


FIG. 6

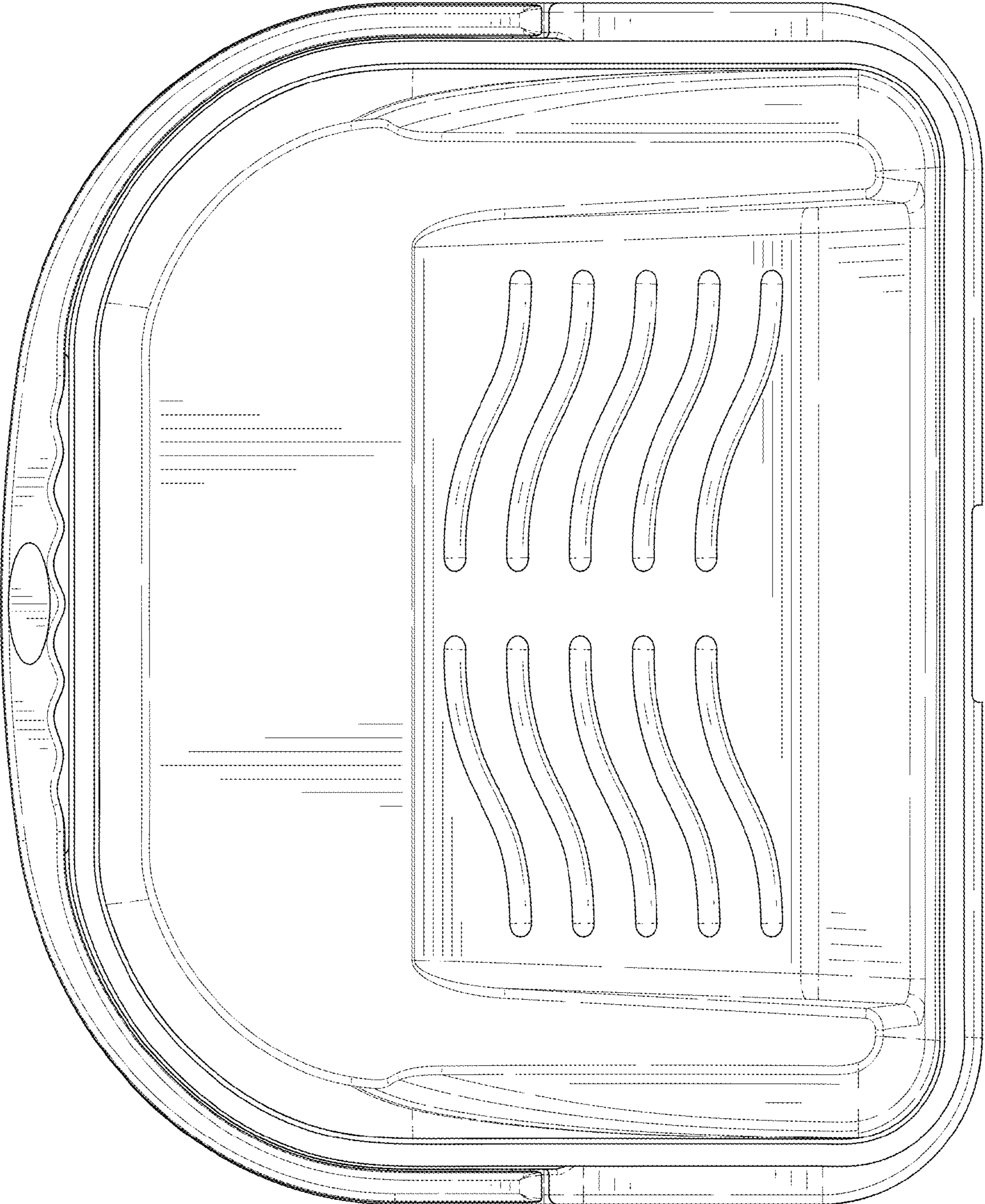


FIG. 7

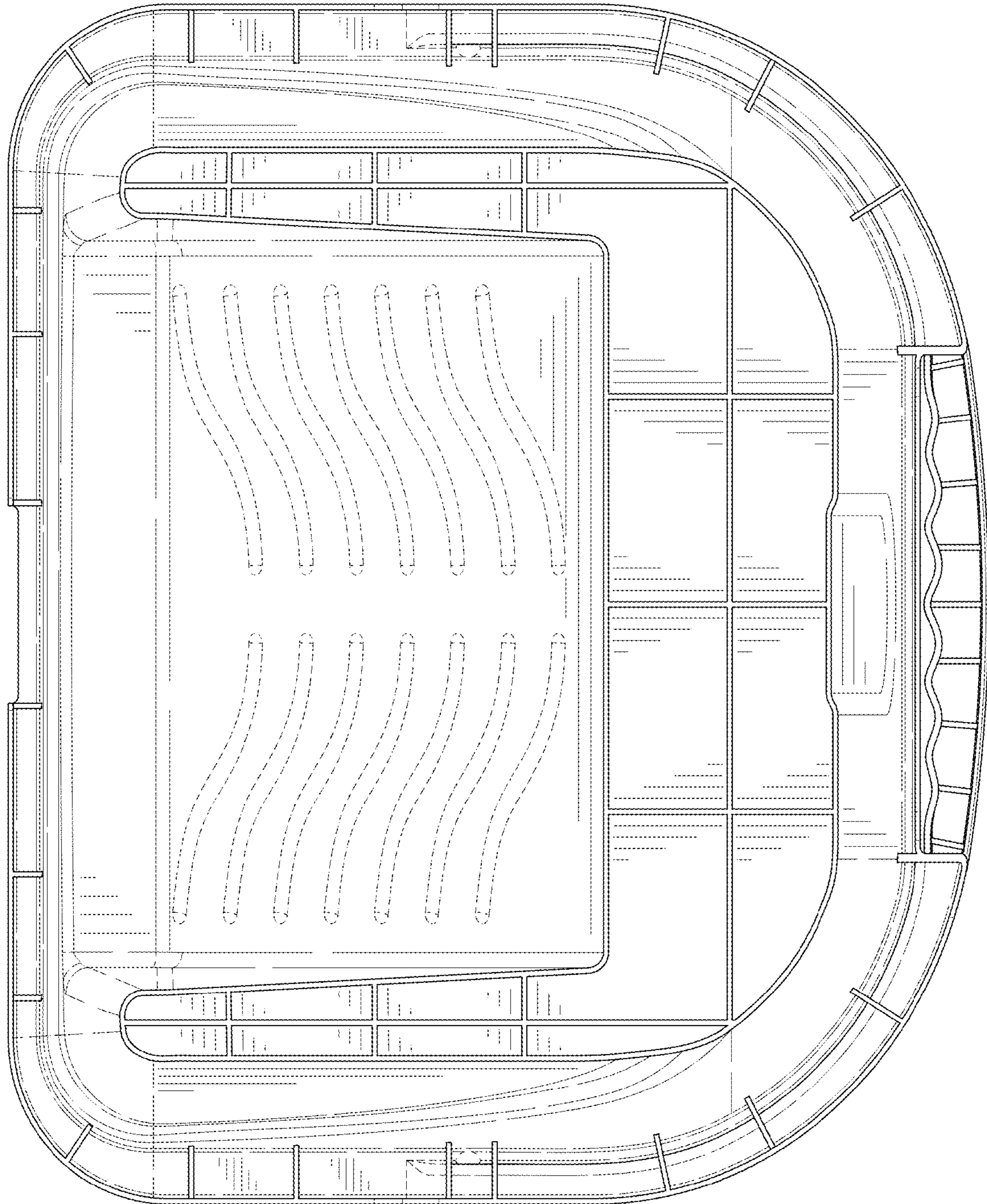


FIG. 8

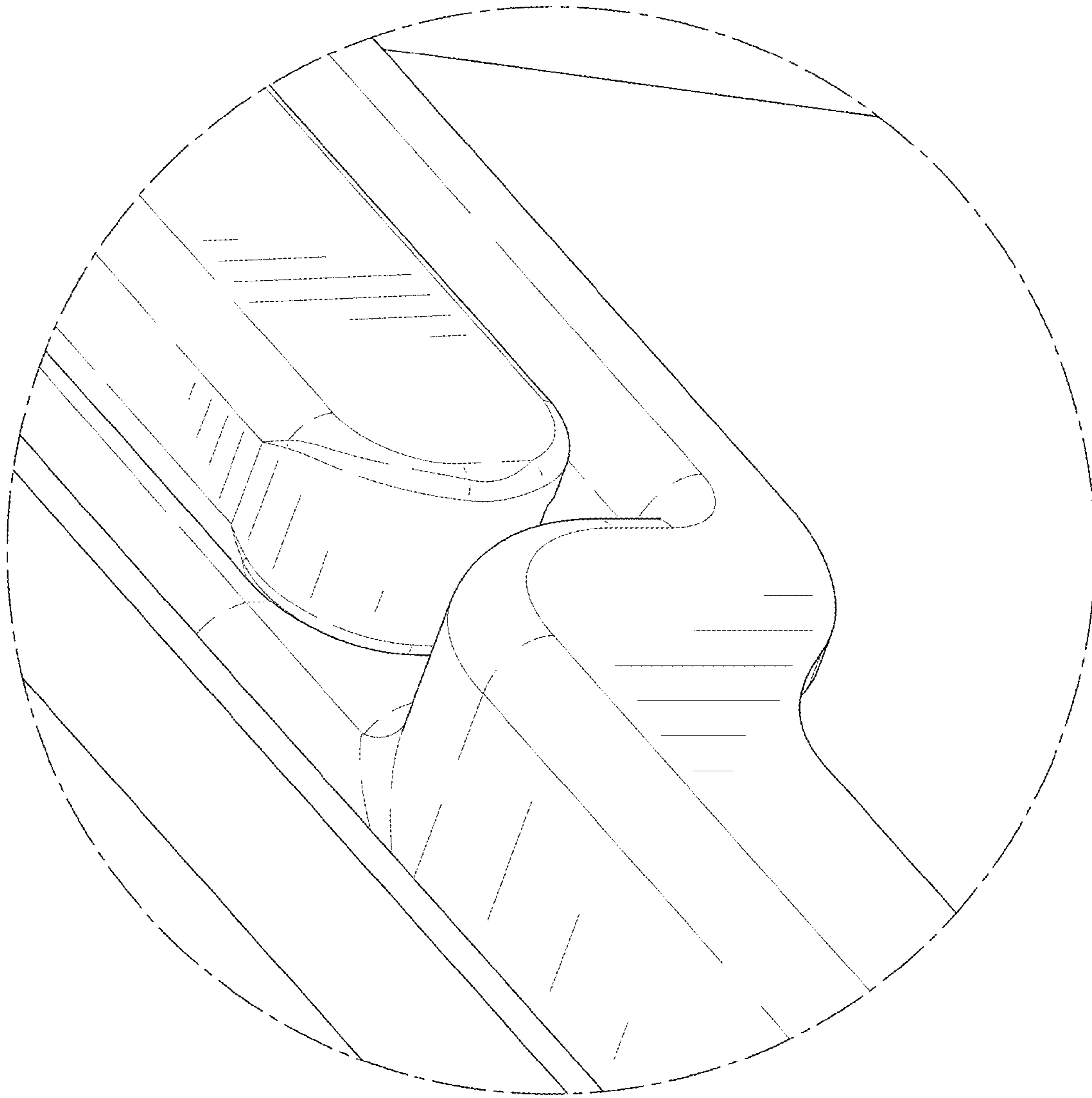


FIG. 9