



US00D960476S

(12) **United States Design Patent** (10) **Patent No.:** **US D960,476 S**  
**Scimone et al.** (45) **Date of Patent:** **\*\* Aug. 9, 2022**

(54) **LONG HANDLE SCRAPER**

(71) Applicant: **Slice, Inc.**, San Jose, CA (US)

(72) Inventors: **Thomas Scimone**, Campbell, CA (US);  
**Scot Herbst**, Santa Cruz, CA (US)

(73) Assignee: **Slice, Inc.**, Sunny Isles, FL (US)

(\*\*) Term: **15 Years**

(21) Appl. No.: **29/735,089**

(22) Filed: **May 18, 2020**

(51) **LOC (13) Cl.** ..... **07-05**

(52) **U.S. Cl.**  
USPC ..... **D32/46**

(58) **Field of Classification Search**  
USPC ..... D32/40-42, 46-49  
CPC ..... A47L 1/16; A47J 43/288  
See application file for complete search history.

(56) **References Cited**

**U.S. PATENT DOCUMENTS**

D253,874 S *	1/1980	Kaufman	.....	D32/42
D256,473 S *	8/1980	Wagner	.....	D18/14
D296,946 S *	7/1988	Stirling	.....	D32/41
D307,963 S *	5/1990	Newman, Sr.	.....	D32/41
D343,265 S *	1/1994	Pollak	.....	D32/49
D360,505 S *	7/1995	Goodman	.....	D32/41
D424,767 S *	5/2000	Shea	.....	D32/49
D487,830 S *	3/2004	Snell	.....	D32/41
D500,184 S *	12/2004	Libman	.....	D32/41
D518,934 S *	4/2006	Williams	.....	D32/49
D627,532 S *	11/2010	Yang	.....	D32/41
D630,812 S *	1/2011	Williams	.....	D32/41
D685,550 S *	7/2013	Tronconi	.....	D32/40
D702,905 S *	4/2014	Holma	.....	D32/49
D787,144 S *	5/2017	Thompson	.....	D32/41
D863,706 S *	10/2019	Hadad	.....	D32/41

D915,999 S *	4/2021	Hodge	.....	D12/415
D942,232 S *	2/2022	Mendez	.....	D32/41
2006/0251465 A1 *	11/2006	Savoia	.....	A47L 1/16 401/265

**OTHER PUBLICATIONS**

Slice scraper, Uline website 2022, site visited Mar. 11, 2022, <https://www.uline.com/Product/Detail/H-7946/Scrapers/Slice-Utility-Scraper-Safety?pricode=WB8311> . . . \*

Slice Scraper, Amazon image reviews 2020, site visited Mar. 10, 2022, <https://www.amazon.com/Slice-10599-Long-Handled-Scraper-10599-CS/dp/B08J6KNZMW?th=1>.\*

\* cited by examiner

*Primary Examiner* — John R Yeh

(74) *Attorney, Agent, or Firm* — Ellenoff Grossman & Schole LLP; James M. Smedley; Alex Korona

(57) **CLAIM**

We claim the ornamental design for a long handle scraper, as shown and described.

**DESCRIPTION**

FIG. 1 is a top, right side perspective view of our new design for a long handle scraper;

FIG. 2 is a bottom, left side perspective view thereof;

FIG. 3 is a top view thereof;

FIG. 4 is a bottom view thereof;

FIG. 5 is front view thereof;

FIG. 6 is a rear side view thereof;

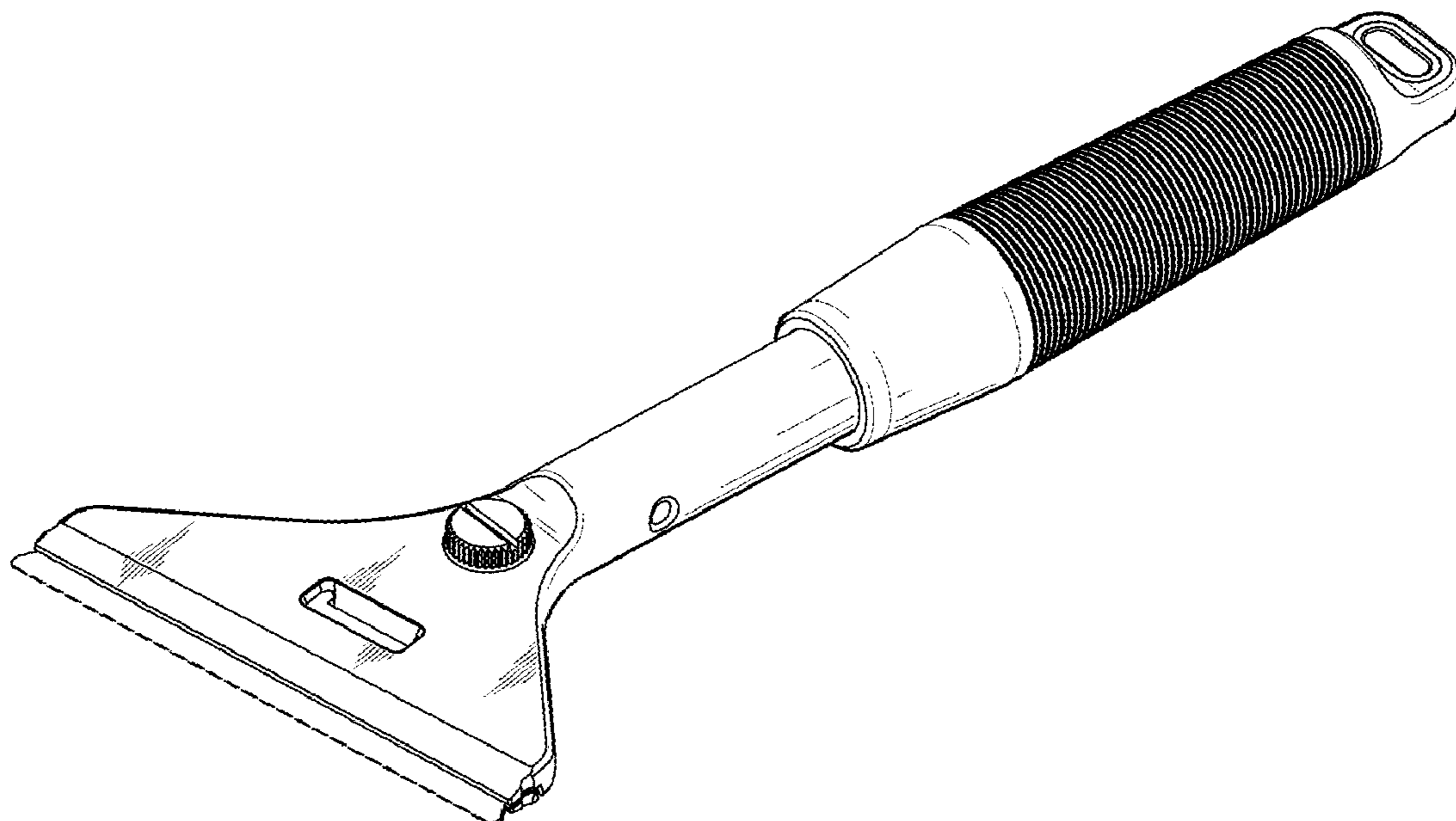
FIG. 7 is a right side view thereof; and,

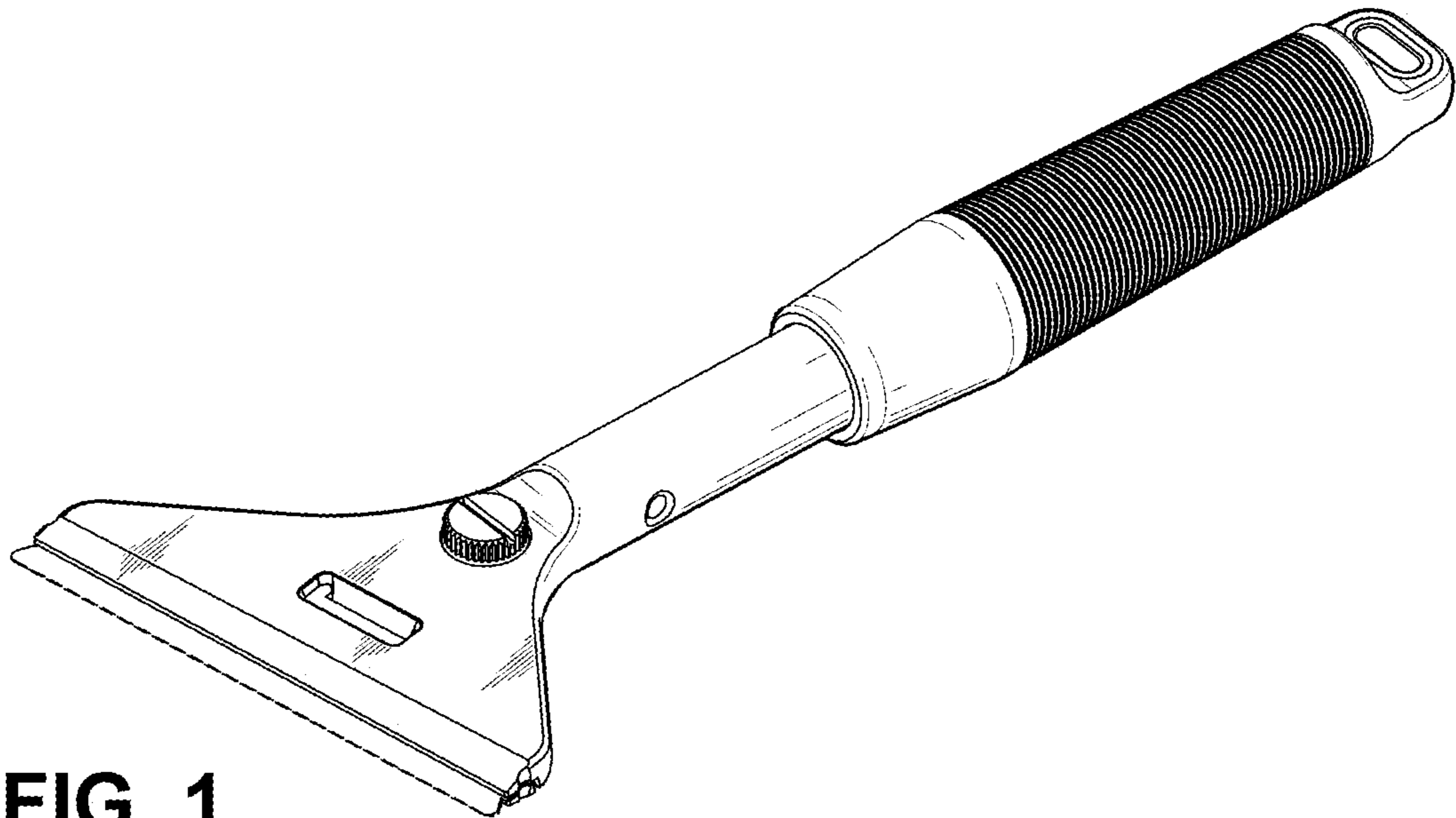
FIG. 8 is a left side view thereof.

The shading lines shown in the drawings represent the approximate three-dimensional contour of the design, and are not intended to indicate surface decoration.

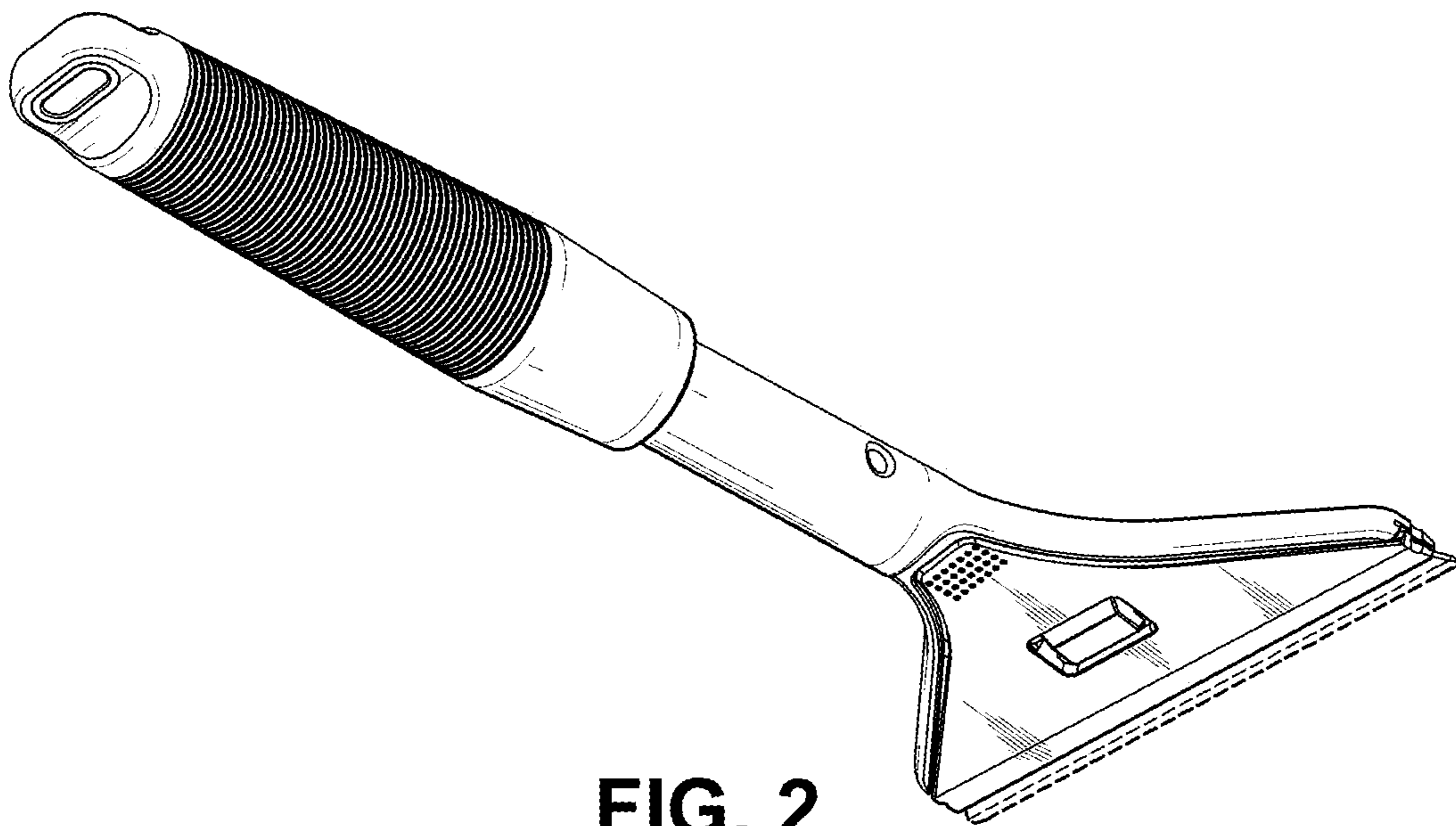
The broken line(s) in the drawings depict portions of the long handle scraper that form no part of the claimed design.

**1 Claim, 3 Drawing Sheets**

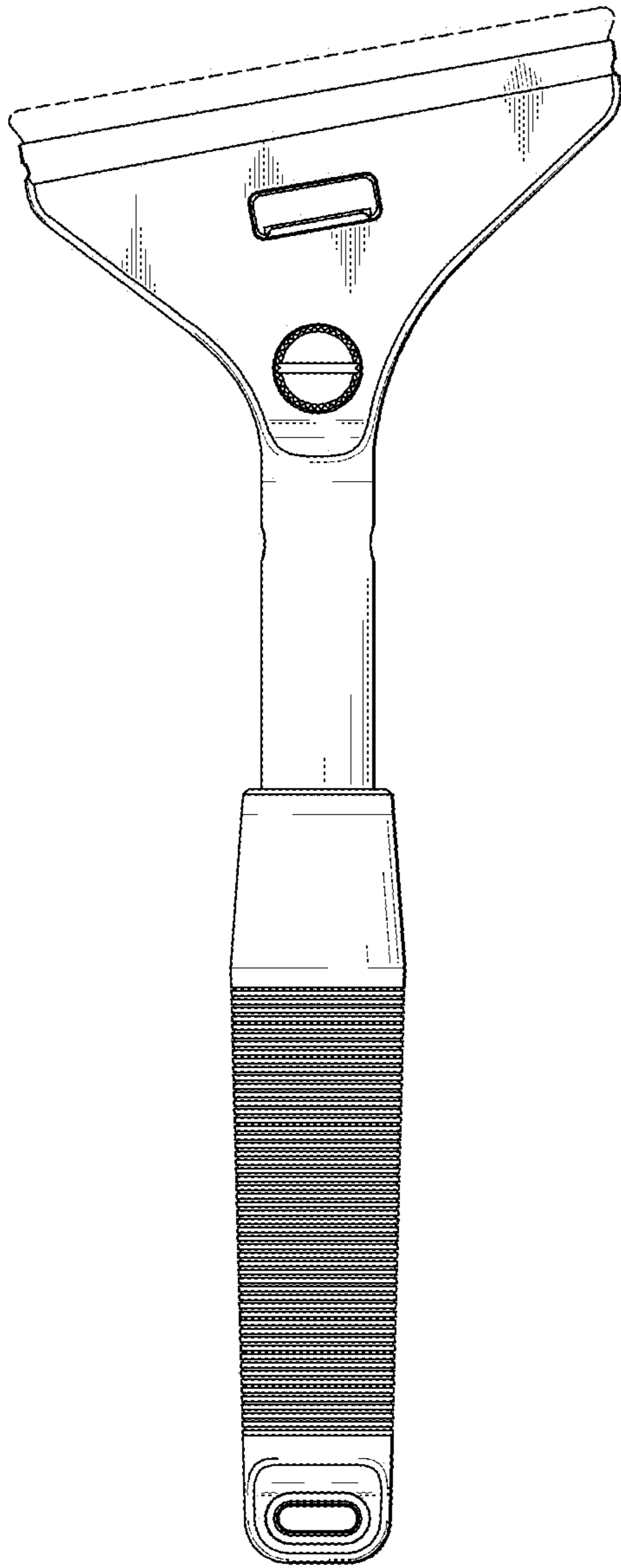




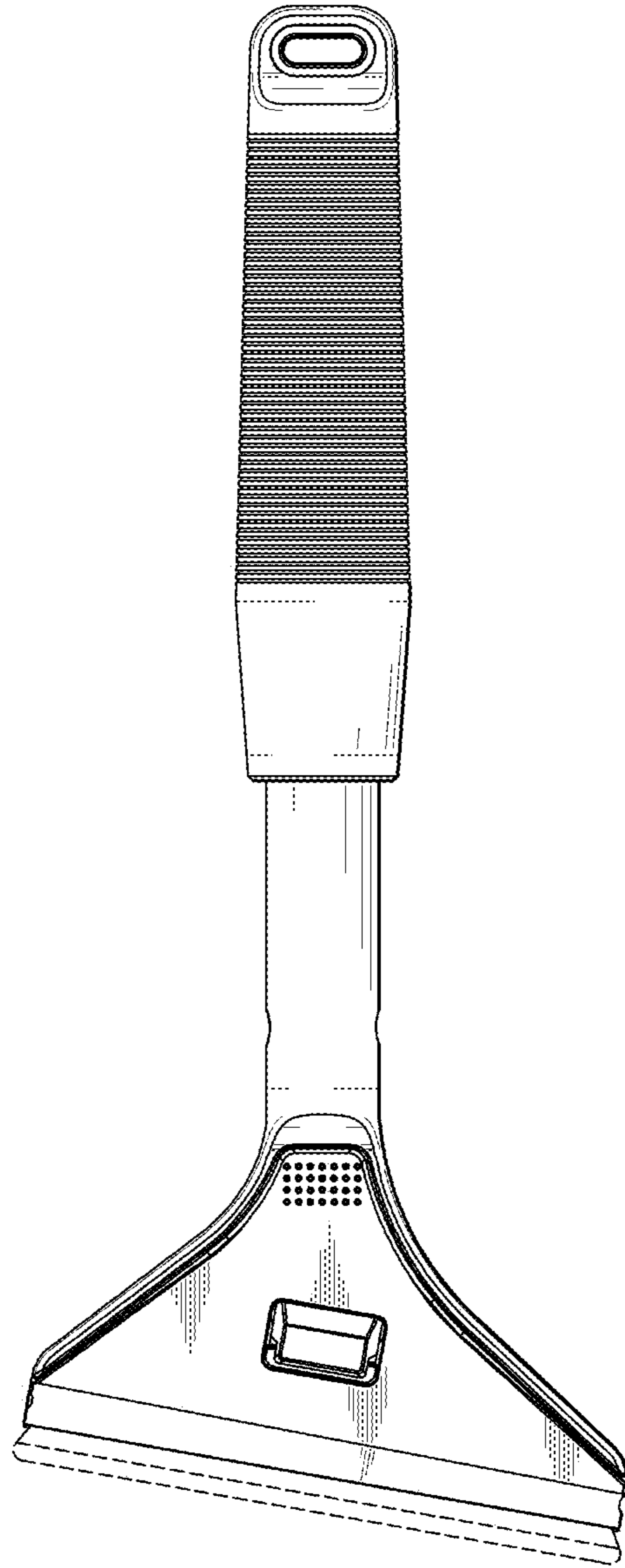
**FIG. 1**



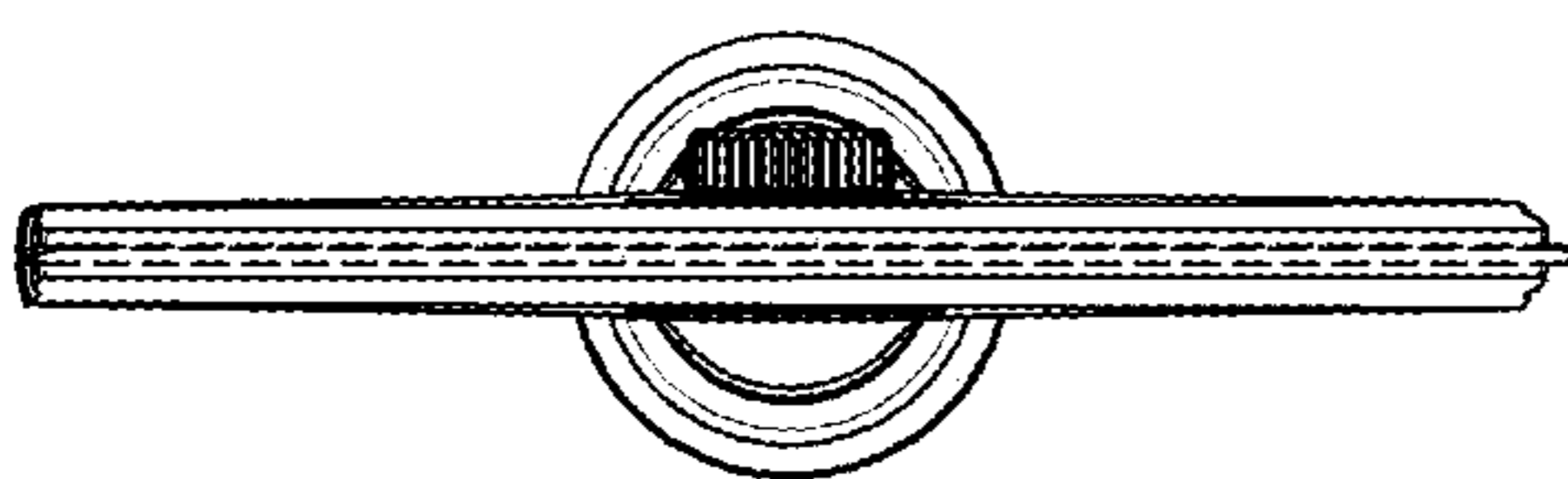
**FIG. 2**



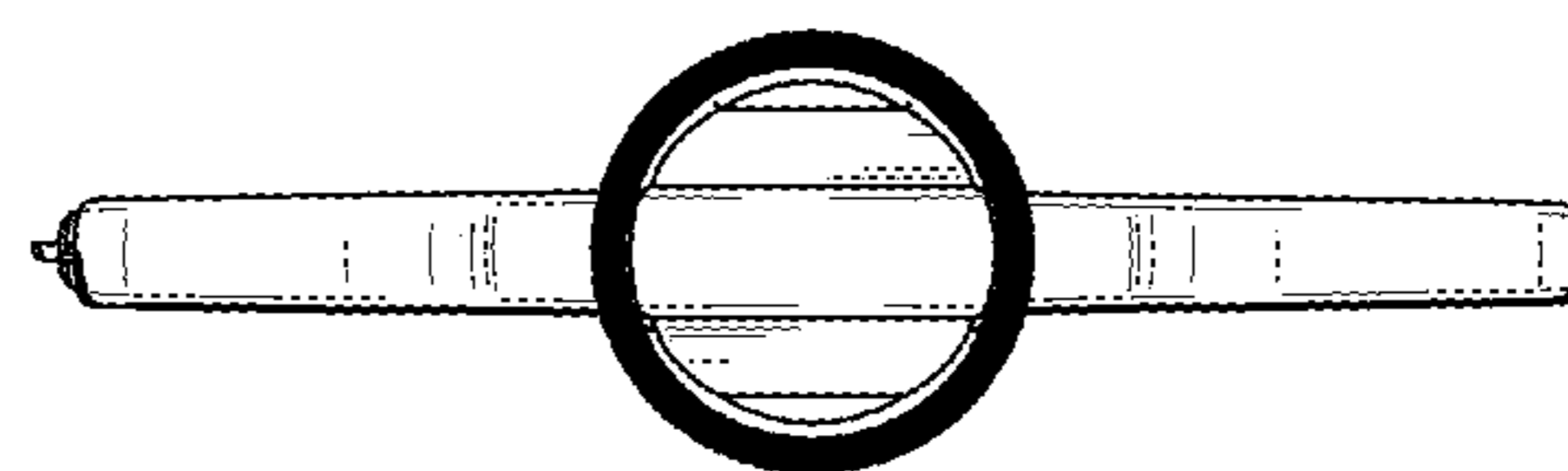
**FIG. 3**



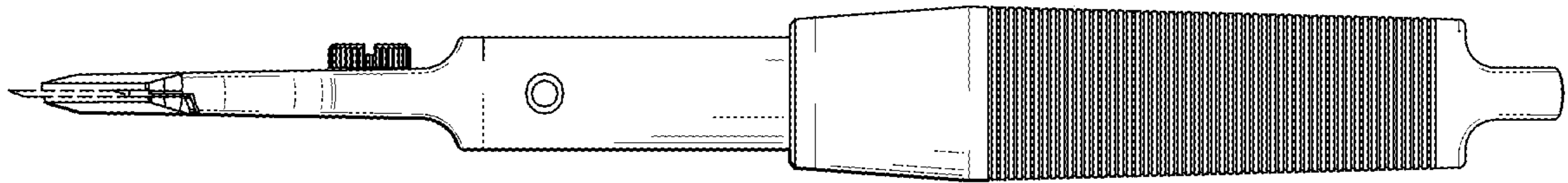
**FIG. 4**



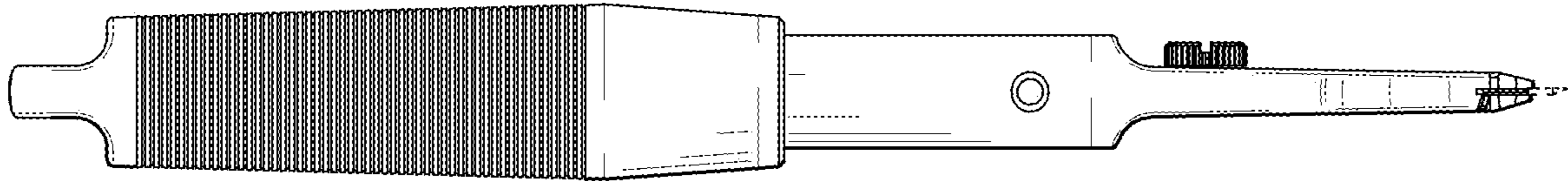
**FIG. 5**



**FIG. 6**



**FIG. 7**



**FIG. 8**