

US00D960475S

(12) **United States Design Patent**
Dunn et al.

(10) **Patent No.:** **US D960,475 S**
(45) **Date of Patent:** **** Aug. 9, 2022**

(54) **SPONGE**

(71) Applicant: **MUNCHKIN, INC.**, Van Nuys, CA (US)

(72) Inventors: **Steven Bryan Dunn**, Beverly Hills, CA (US); **Matthew Joseph Saxton**, Moorpark, CA (US); **Kwok Ping Kuen**, Kowloon (CN)

(73) Assignee: **Munchkin Inc.**, Van Nuys, CA (US)

(**) Term: **15 Years**

(21) Appl. No.: **29/777,628**

(22) Filed: **Apr. 7, 2021**

Related U.S. Application Data

(63) Continuation of application No. 17/177,139, filed on Feb. 16, 2021, now Pat. No. 11,185,208.

(51) **LOC (13) Cl.** **07-05**

(52) **U.S. Cl.**
USPC **D32/40**

(58) **Field of Classification Search**
USPC D32/40-43
CPC A47L 13/16
See application file for complete search history.

(56) **References Cited**

U.S. PATENT DOCUMENTS

2,030,911	A *	2/1936	Borden	A47L 1/08 401/266
2,745,128	A *	5/1956	Zeuner	A47K 7/02 15/244.1
2,942,285	A *	6/1960	Gray	A47L 13/16 15/244.4
D307,497	S *	4/1990	Giallourakis	D32/35
D379,697	S *	6/1997	Freudenberg	D32/40
6,052,856	A *	4/2000	DeMoya	A47L 13/282 36/100
D440,770	S *	4/2001	Chen	D4/137

D464,472	S *	10/2002	Haro	D32/43
8,684,619	B2	4/2014	Uchiyama et al.		
9,707,988	B1	7/2017	Chanatski		
D838,422	S *	1/2019	Zimmerman	D32/40
D857,987	S *	8/2019	Kang	D28/7
D869,805	S *	12/2019	Catania	D32/40
D902,000	S *	11/2020	Coughenour, Jr.	D8/90
10,986,979	B2 *	4/2021	Sullivan	A47L 13/16
D934,573	S *	11/2021	Tuman	D5/58
2003/0046783	A1 *	3/2003	Chen	C08J 9/28 15/244.4
2003/0192141	A1 *	10/2003	Rademacher	A47L 17/08 15/118
2008/0205965	A1	8/2008	LaFlamme et al.		
2009/0094772	A1 *	4/2009	Lee	A47K 7/02 15/244.3

(Continued)

FOREIGN PATENT DOCUMENTS

CN	302524578	*	8/2013
CN	304320502	*	10/2017

Primary Examiner — John R Yeh

(74) *Attorney, Agent, or Firm* — Robert Z. Evora, Esq.

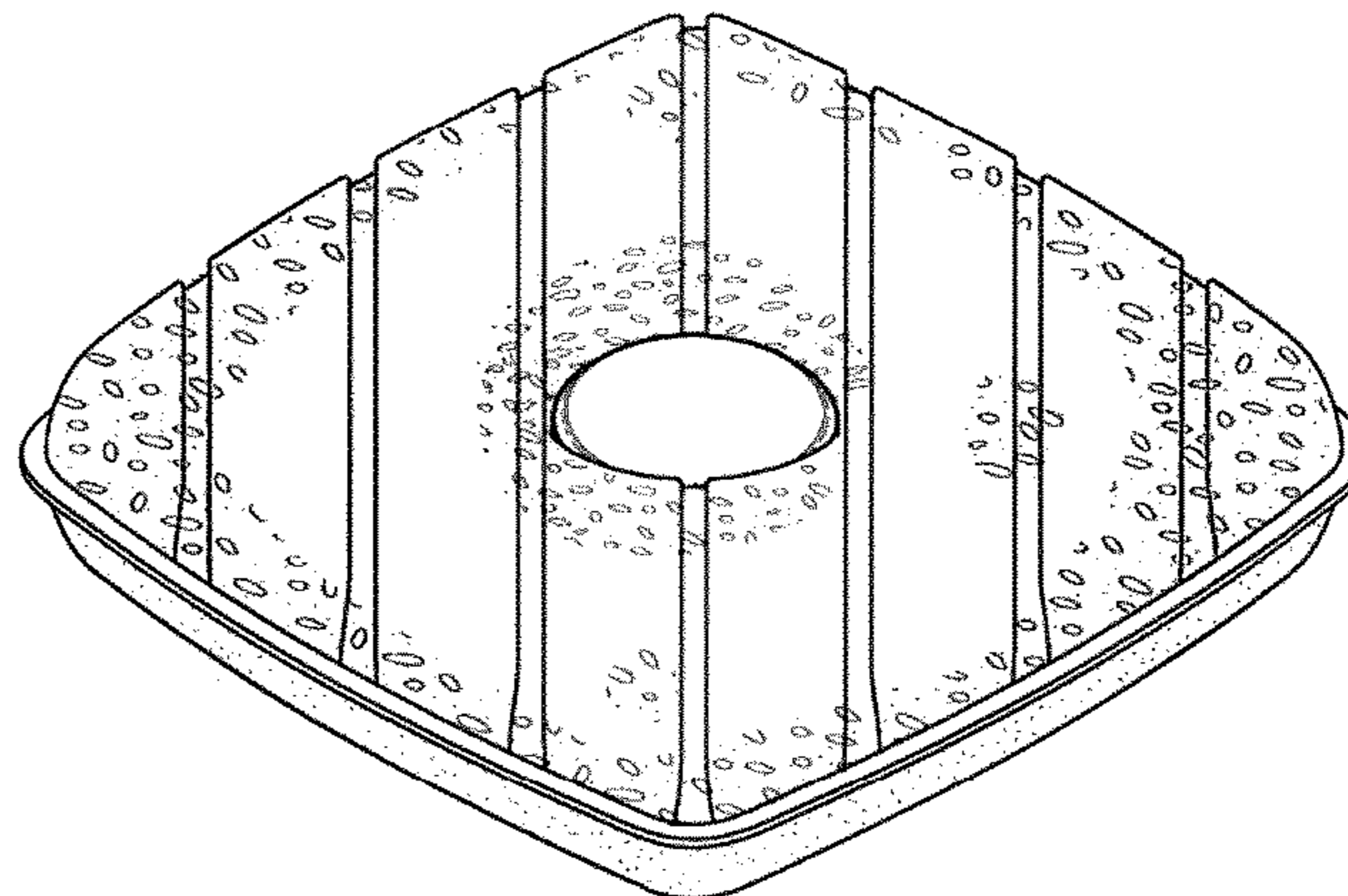
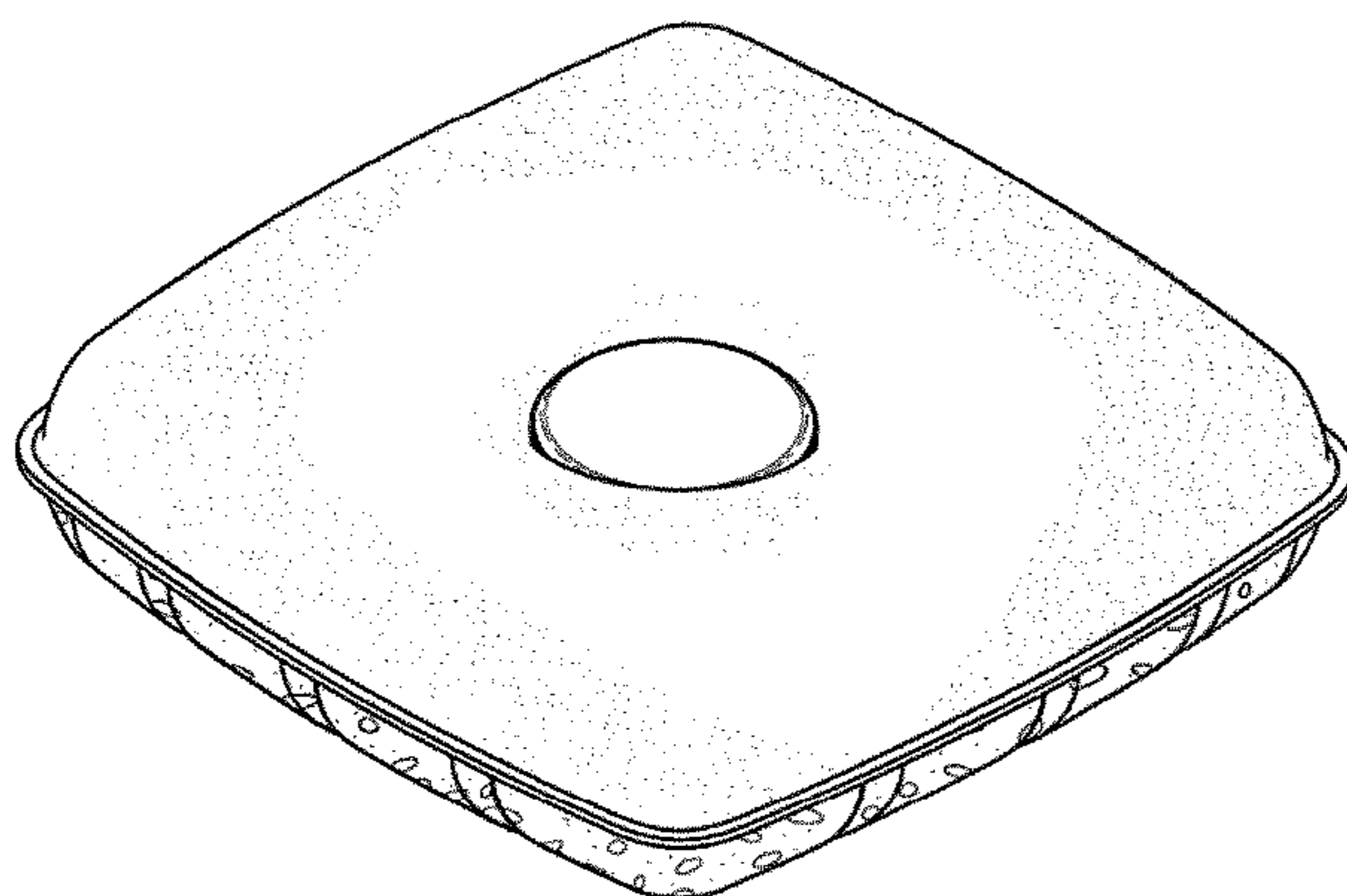
(57) **CLAIM**

The ornamental design for a sponge, as shown and described.

DESCRIPTION

FIG. 1 is an upper perspective view of a sponge of our new design;
FIG. 2 is a bottom perspective view thereof;
FIG. 3 is a top view thereof;
FIG. 4 is a bottom view thereof;
FIG. 5 is a right side view thereof, the opposite side being an identical image thereof; and,
FIG. 6 is a front side view thereof, the opposite side being an identical image thereof.

1 Claim, 6 Drawing Sheets



(56)

References Cited

U.S. PATENT DOCUMENTS

2015/0066083 A1 3/2015 Ramos
2018/0098653 A1 4/2018 Pinchuk
2020/0268230 A1* 8/2020 Bunch B32B 5/245
2020/0329942 A1* 10/2020 Omotola A47L 13/16
2021/0307583 A1* 10/2021 Consolo B32B 3/30
2021/0345763 A1* 11/2021 Ramirez A47L 25/00

* cited by examiner

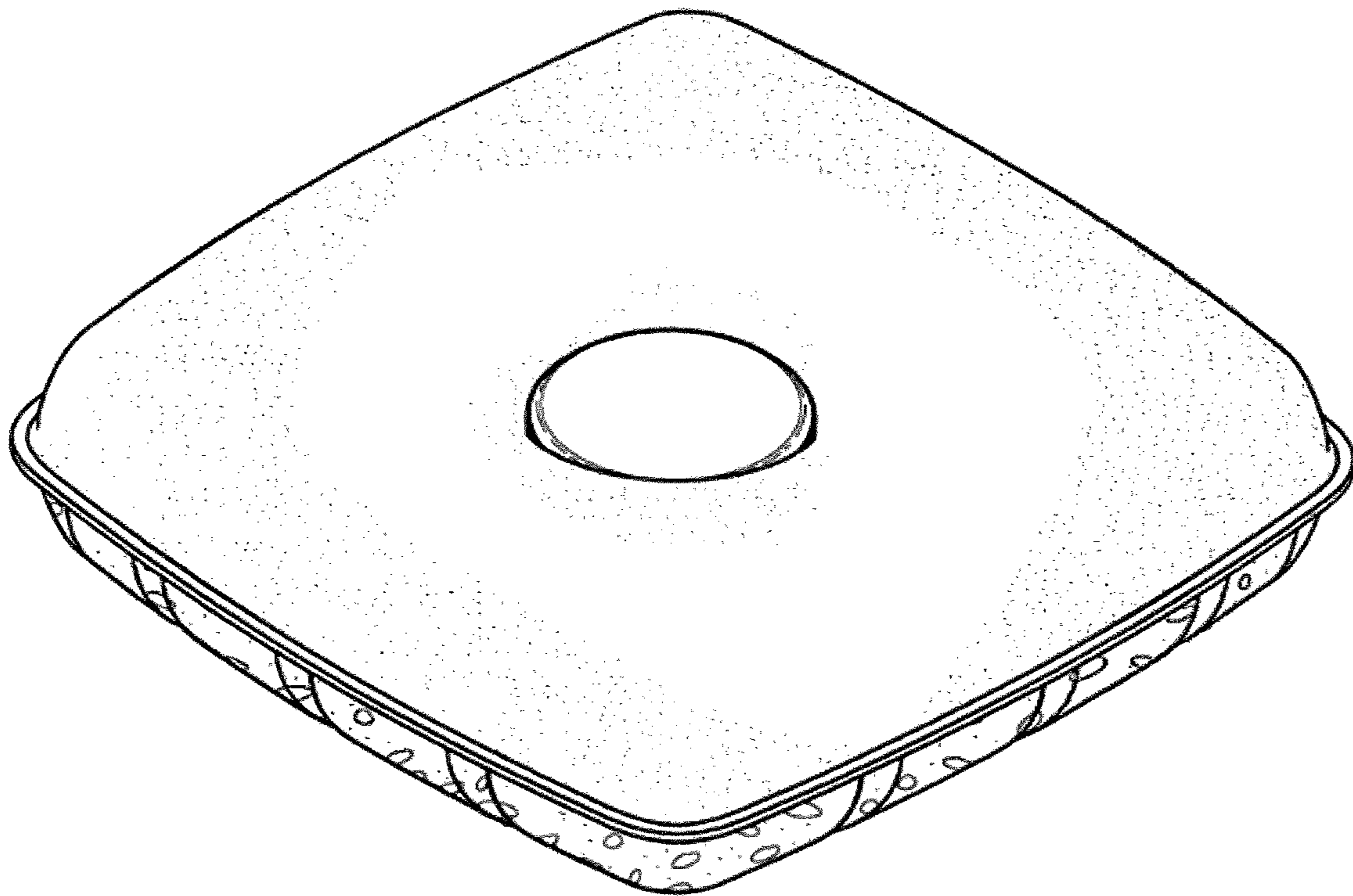


FIG. 1

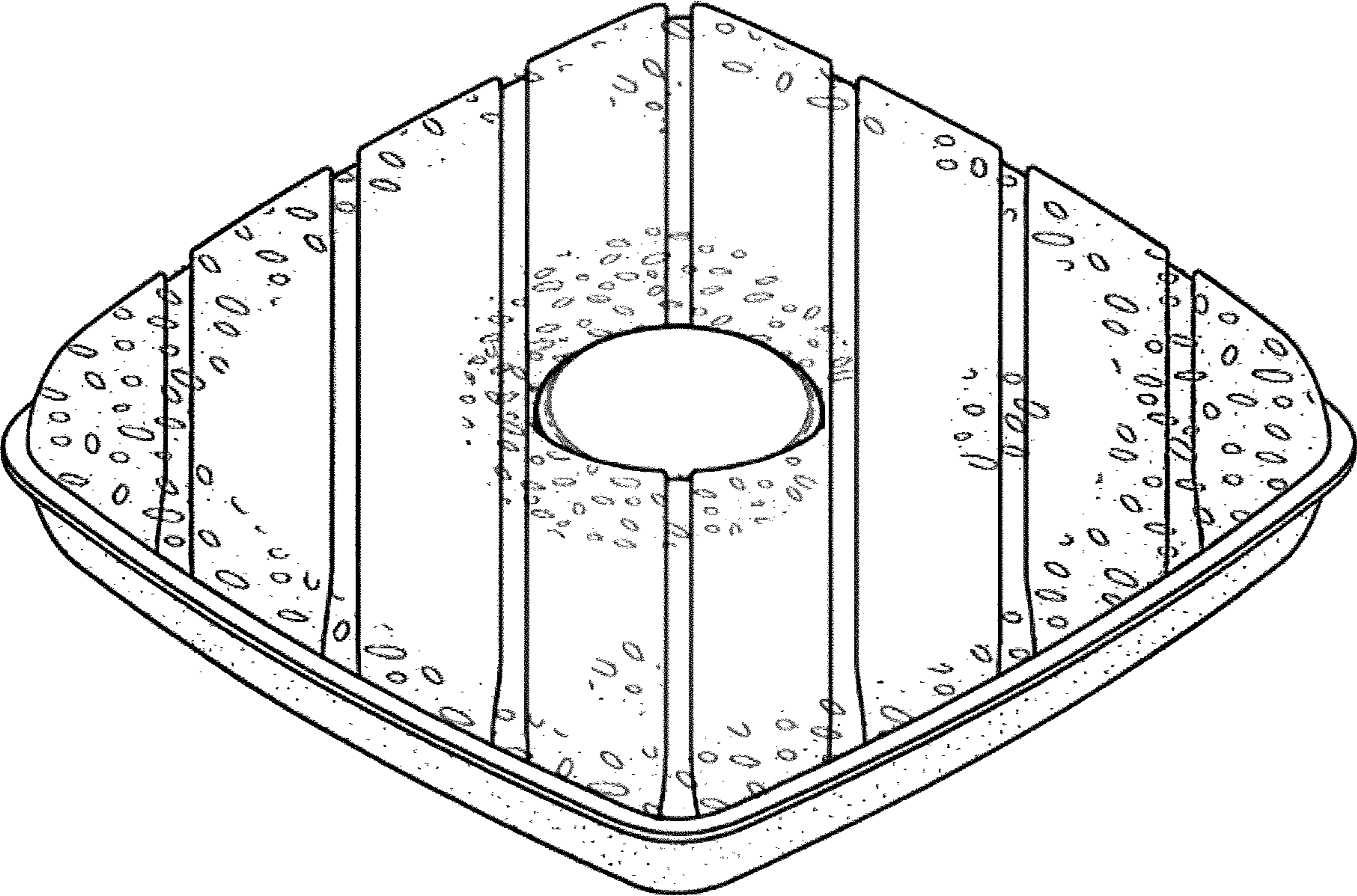


FIG. 2

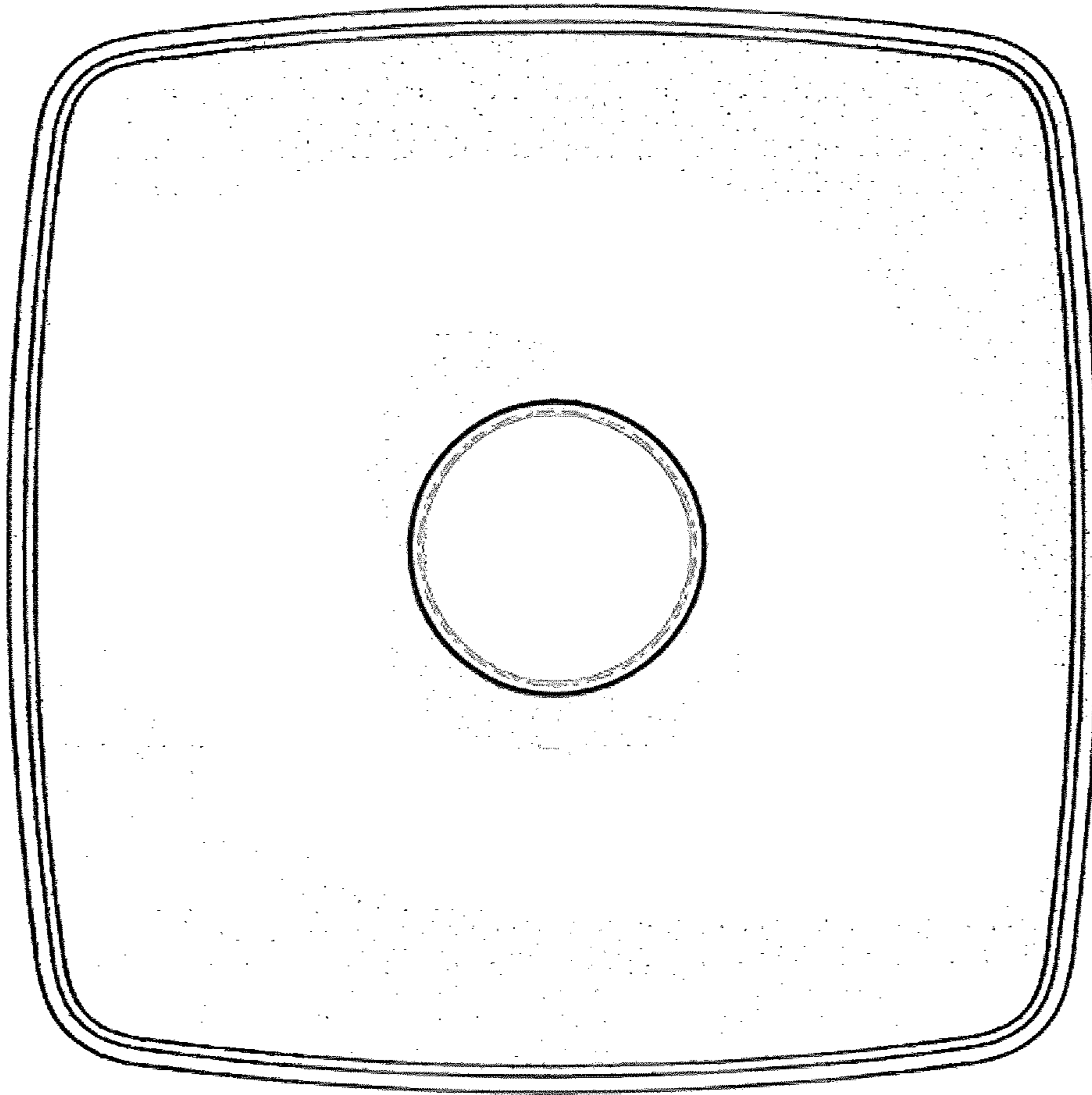


FIG. 3

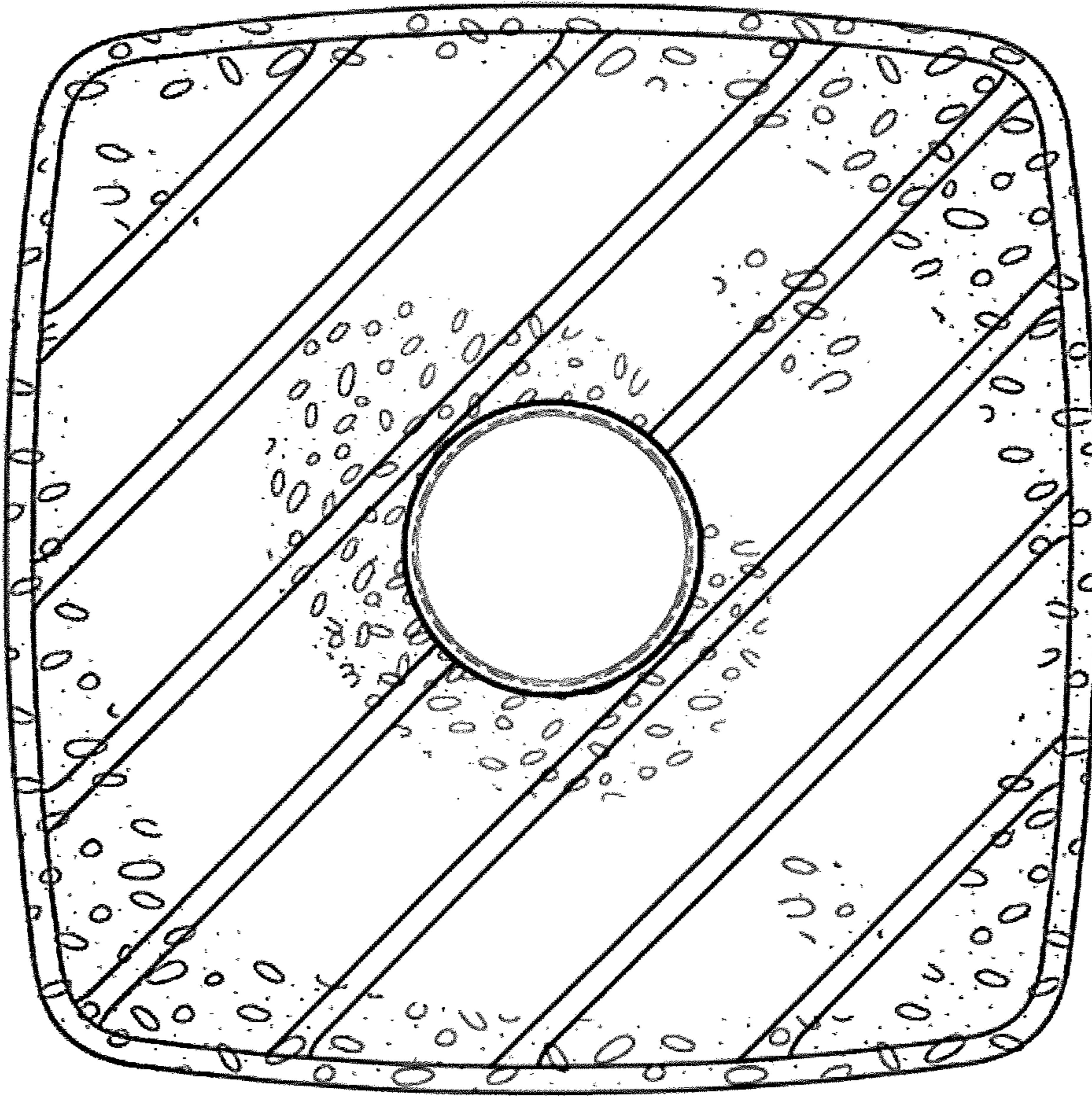


FIG. 4

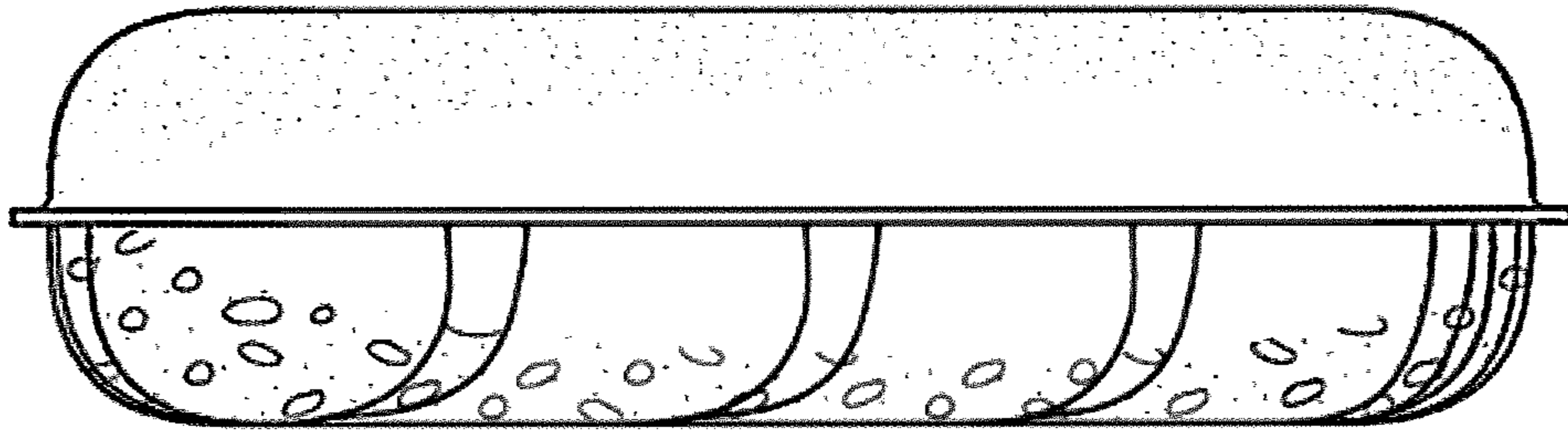


FIG. 5

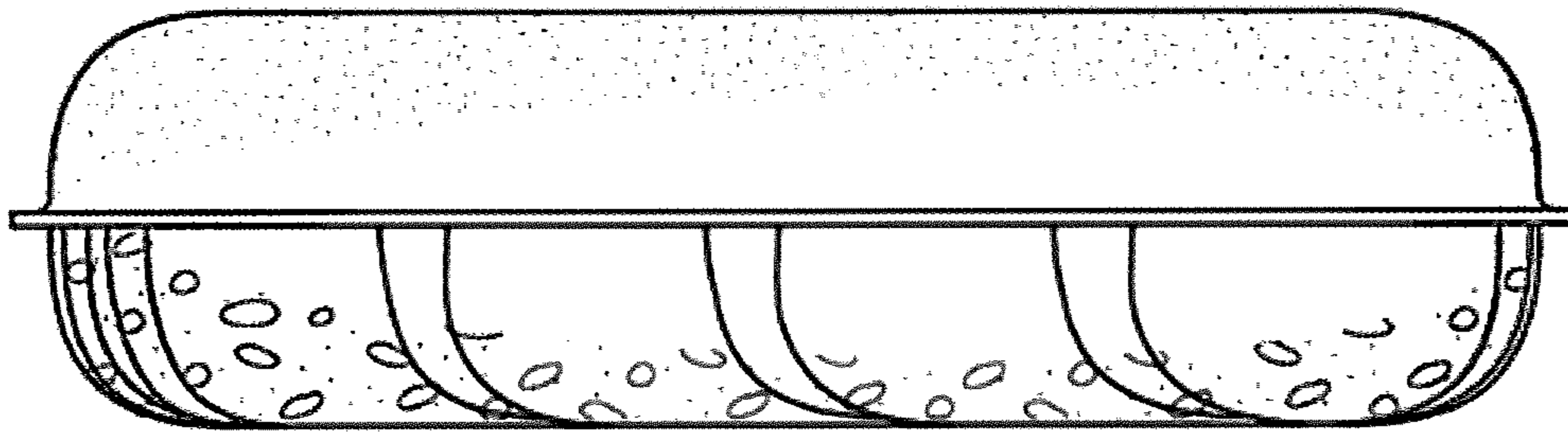


FIG. 6