

US00D960474S

(12) **United States Design Patent** (10) **Patent No.:** **US D960,474 S**
Chaffee et al. (45) **Date of Patent:** **** Aug. 9, 2022**

(54) **HAND-HELD SCRUBBING TOOL**
(71) Applicant: **3M INNOVATIVE PROPERTIES COMPANY**, St. Paul, MN (US)
(72) Inventors: **Matthew D. Chaffee**, Minneapolis, MN (US); **Mark W. Baldwin**, Woodbury, MN (US)
(73) Assignee: **3M Innovative Properties Company**, St. Paul, MN (US)
(**) Term: **15 Years**
(21) Appl. No.: **29/753,937**
(22) Filed: **Oct. 5, 2020**
(51) **LOC (13) Cl.** **07-05**
(52) **U.S. Cl.**
USPC **D32/40**
(58) **Field of Classification Search**
USPC D32/40-42, 46-49
CPC .. A47L 1/16; A47L 13/46; A47L 13/06; A47J 43/288
See application file for complete search history.

D851,346 S * 6/2019 Kamody D32/46
D904,704 S * 12/2020 Buckley D32/45
D922,018 S * 6/2021 Chaffee D32/45
D922,709 S * 6/2021 Xiao D32/40

FOREIGN PATENT DOCUMENTS

CN 305875067 * 6/2020

OTHER PUBLICATIONS

3M Scotch Brite Scrubber w Handle, Berings website no date, site visited Mar. 22, 2022, [https://www.berings.com/product/scotch-brite-switchable-cleaning-scrubber-with-handle/?...*](https://www.berings.com/product/scotch-brite-switchable-cleaning-scrubber-with-handle/?...)

* cited by examiner

Primary Examiner — John R Yeh

(74) *Attorney, Agent, or Firm* — 3M Innovative properties compa

(57) **CLAIM**

The ornamental design for a hand held scrubbing tool, as shown and described.

DESCRIPTION

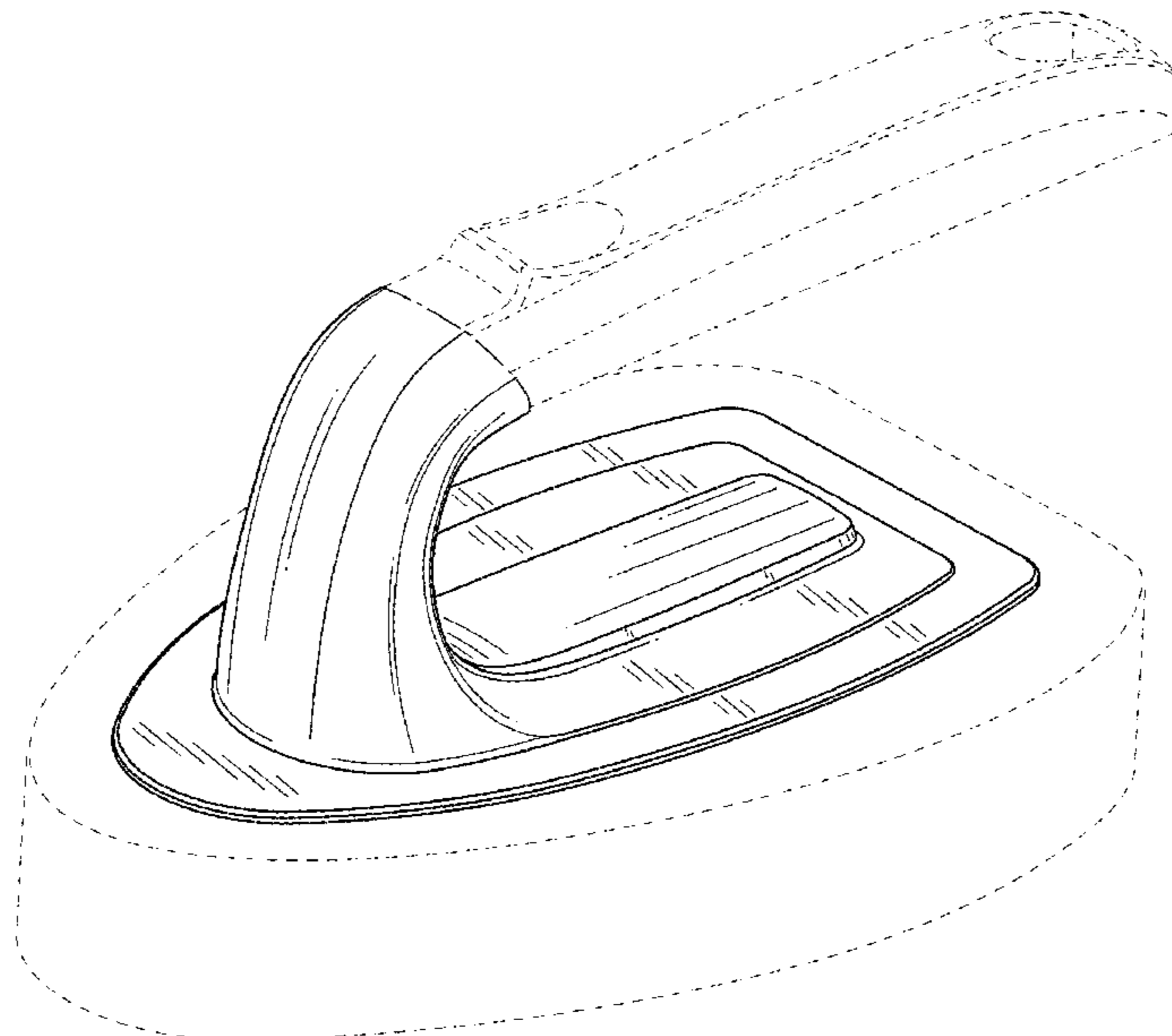
FIG. 1 is a perspective view showing the new design for a hand-held scrubbing tool;
FIG. 2 is a right view thereof;
FIG. 3 is a left view thereof;
FIG. 4 is a top view thereof;
FIG. 5 is a bottom view thereof;
FIG. 6 is a rear view thereof; and,
FIG. 7 is a front view thereof.
The portions of the hand-held scrubbing tool in FIGS. 1-7 shown in broken lines are included to show features that form no part of the claimed design.

1 Claim, 6 Drawing Sheets

(56) **References Cited**

U.S. PATENT DOCUMENTS

D292,449 S * 10/1987 Anderson D32/42
D304,513 S * 11/1989 Loffredo D4/137
D392,079 S * 3/1998 Omerza D32/40
D392,432 S * 3/1998 Henrie D4/137
D398,110 S * 9/1998 Zemel D4/118
D437,095 S * 1/2001 Osiecki D32/40
D519,012 S * 4/2006 Miller D8/107
D544,213 S * 6/2007 Dow D4/119
D578,720 S * 10/2008 Norcorn D32/52
D620,215 S * 7/2010 Peng D4/137
D764,916 S * 8/2016 Mount, III D9/443
D770,712 S * 11/2016 Neumann D32/45
D841,912 S * 2/2019 Renner D32/40



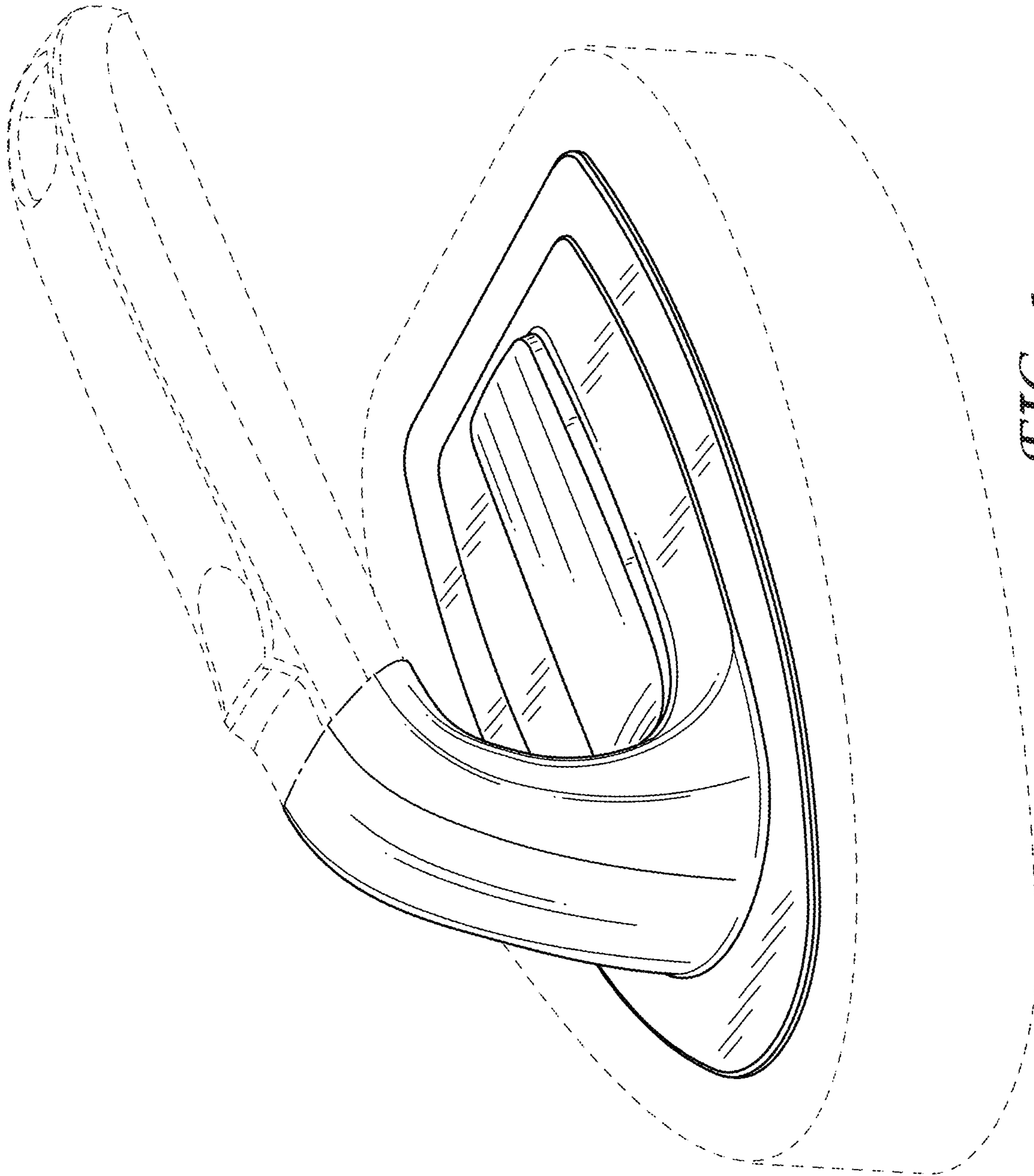


FIG. 1

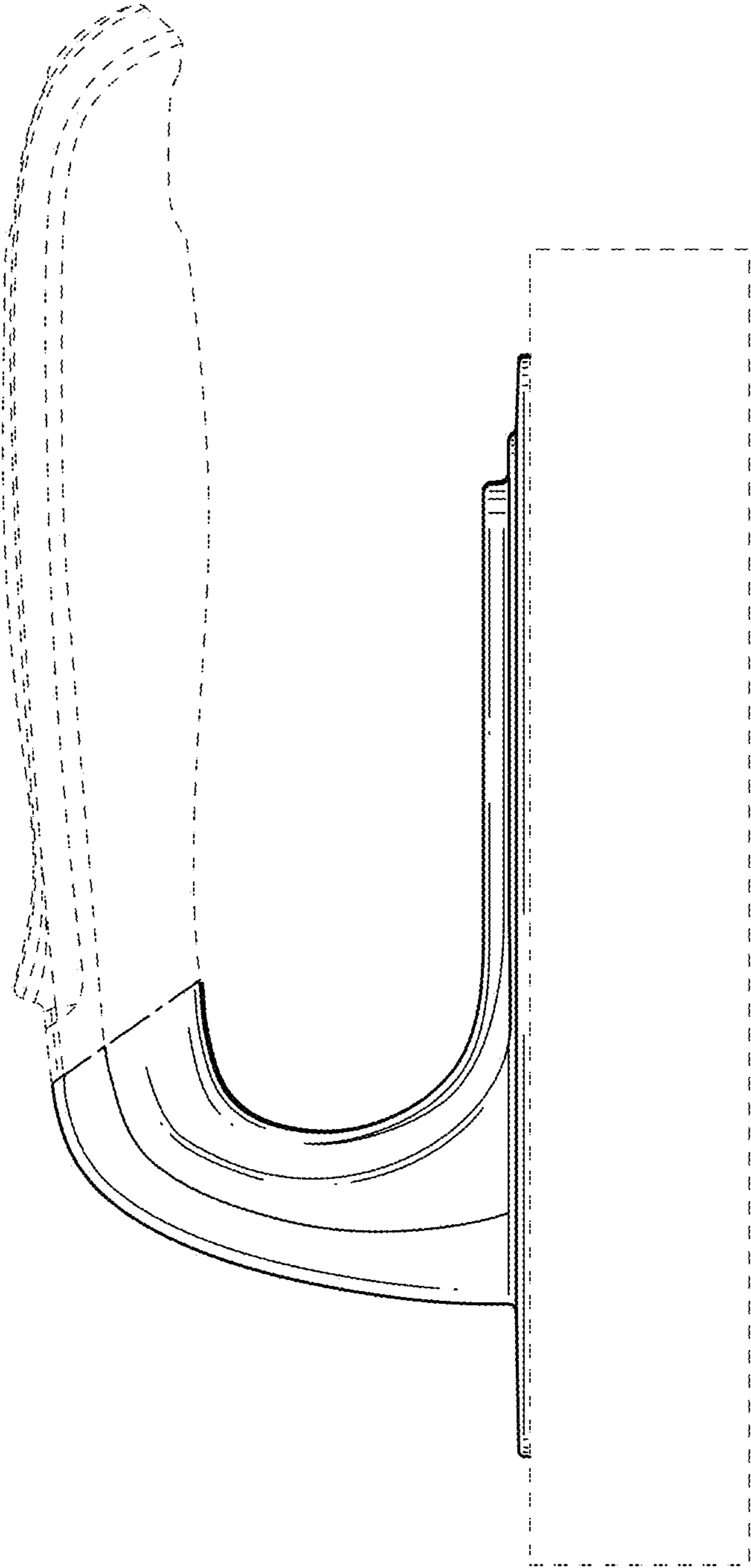


FIG. 2

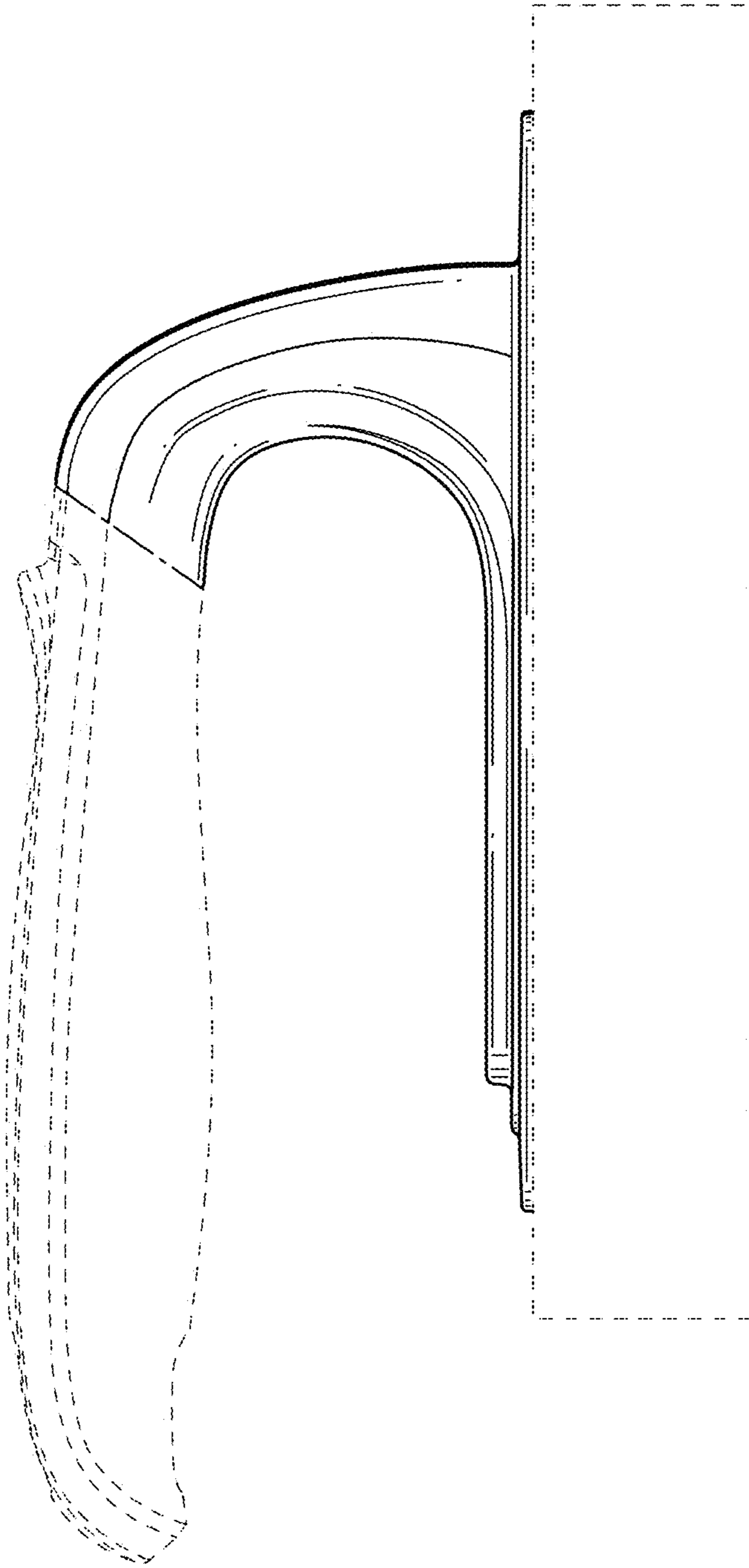


FIG. 3

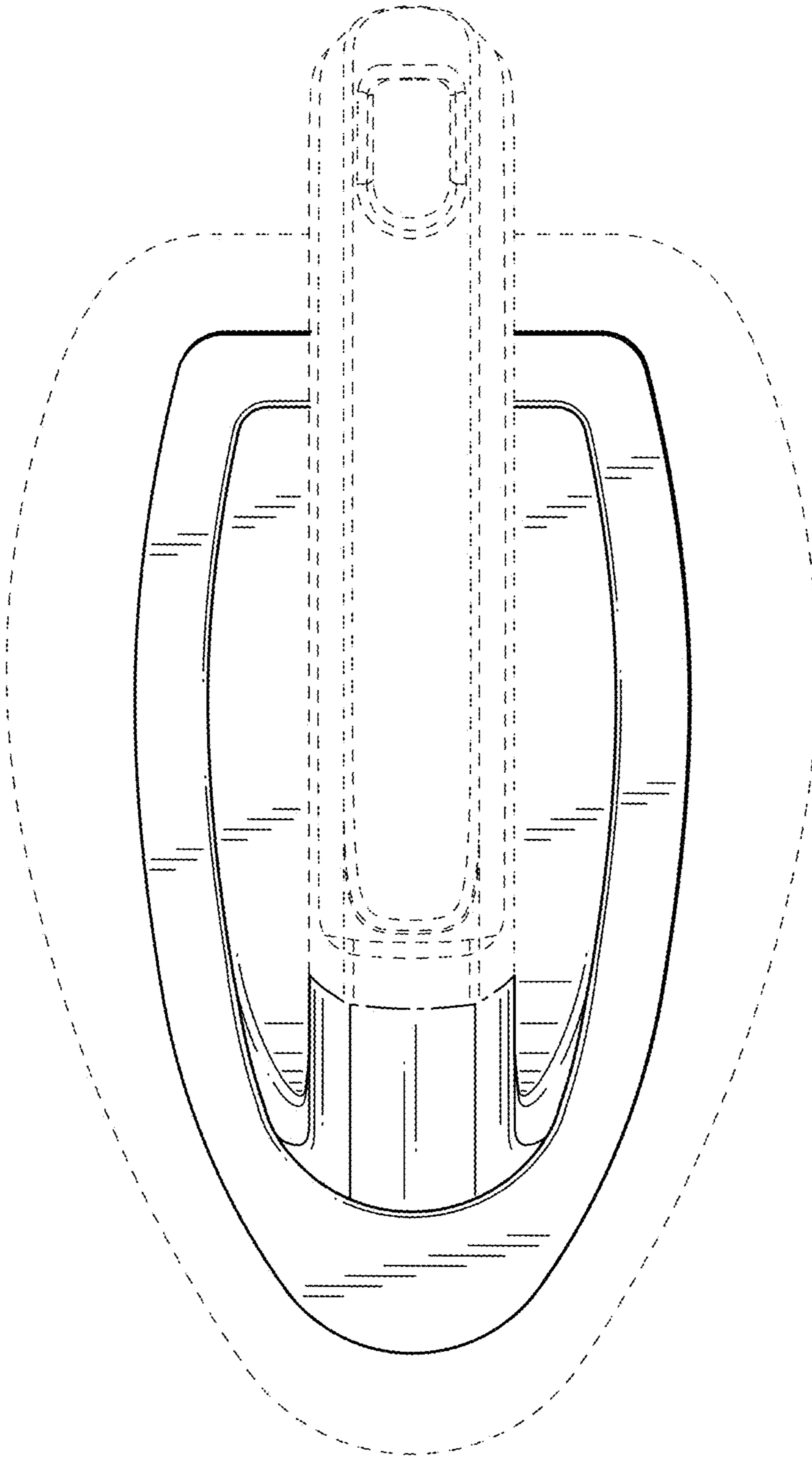


FIG. 4

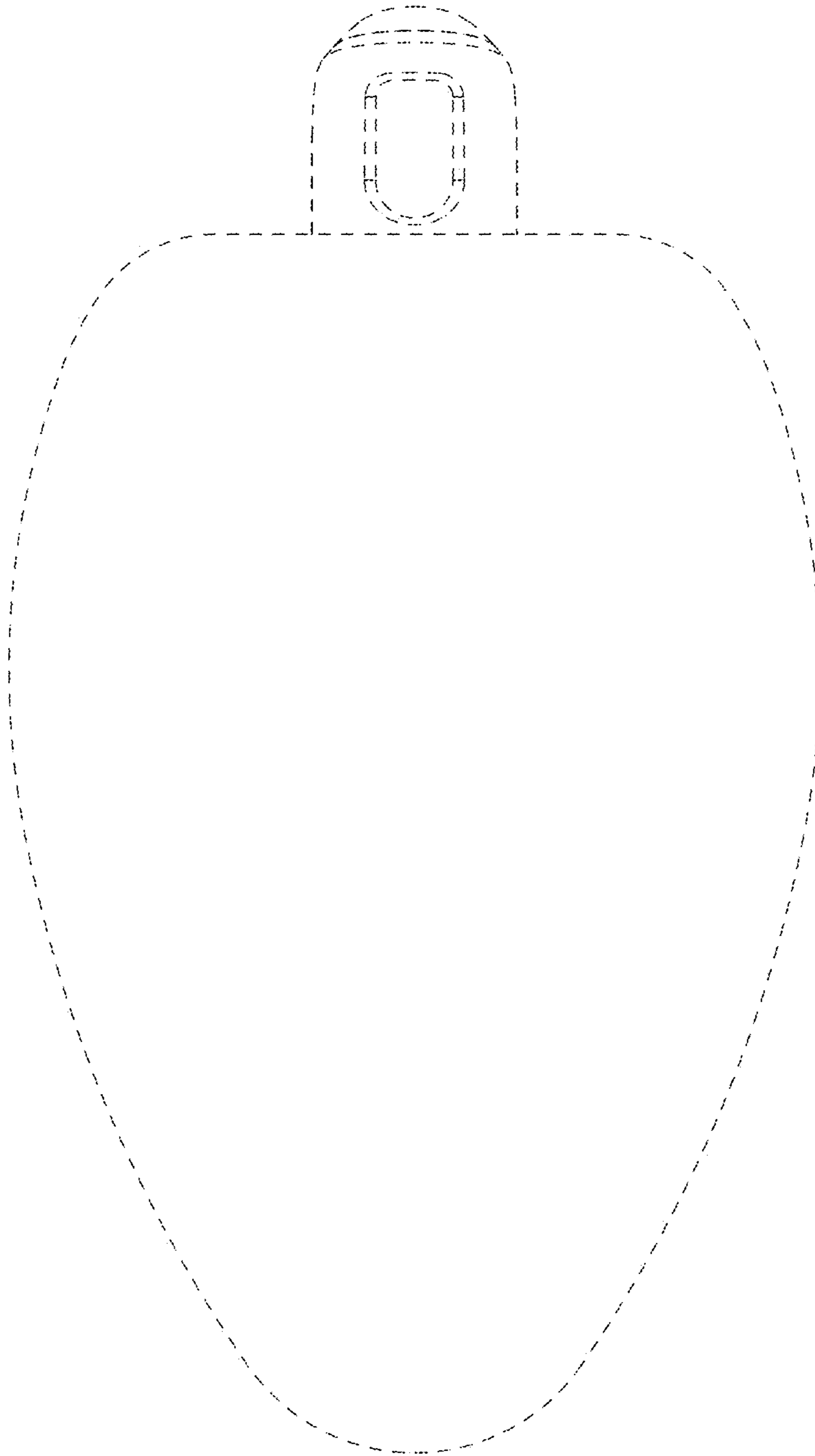


FIG. 5

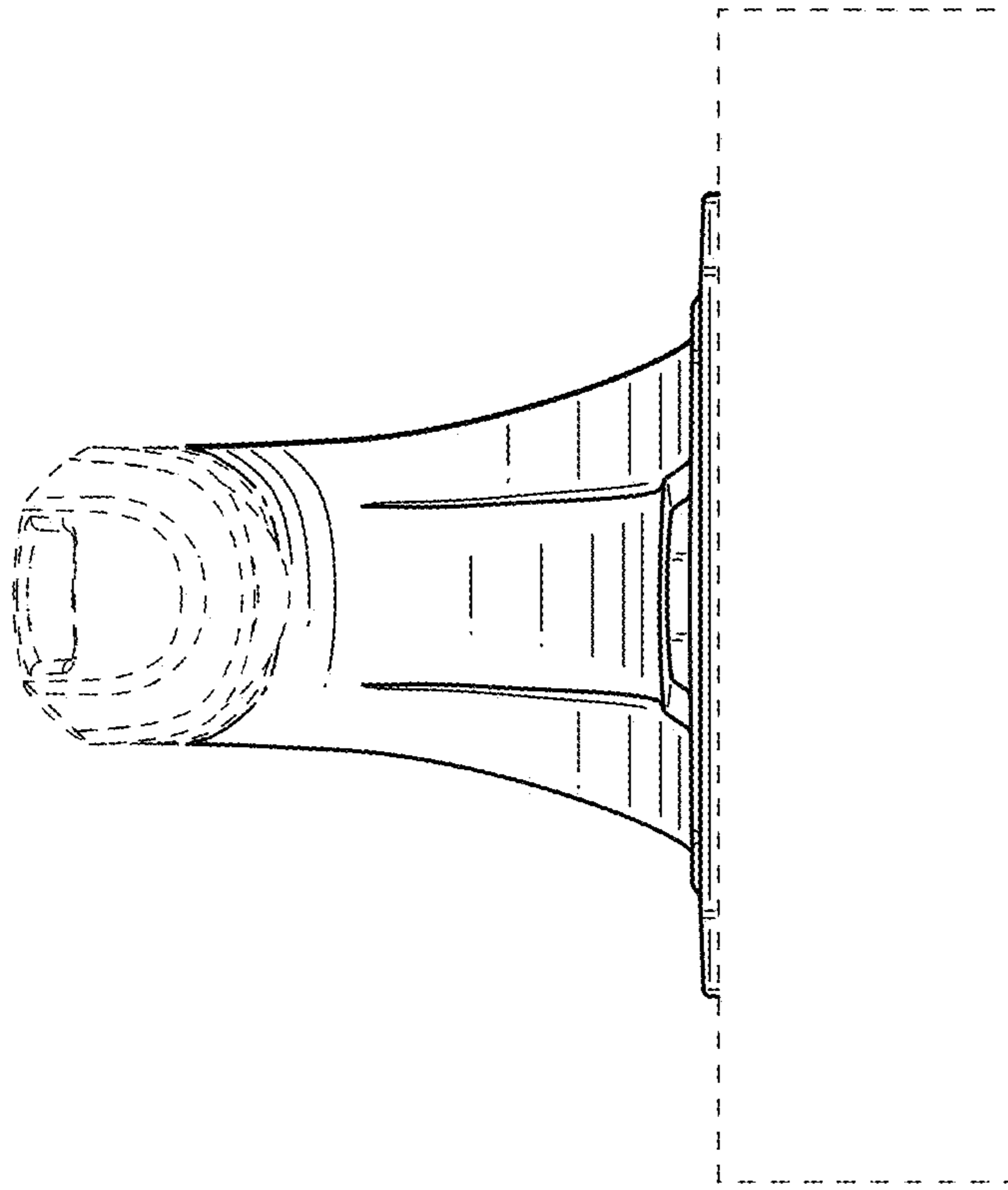


FIG. 7

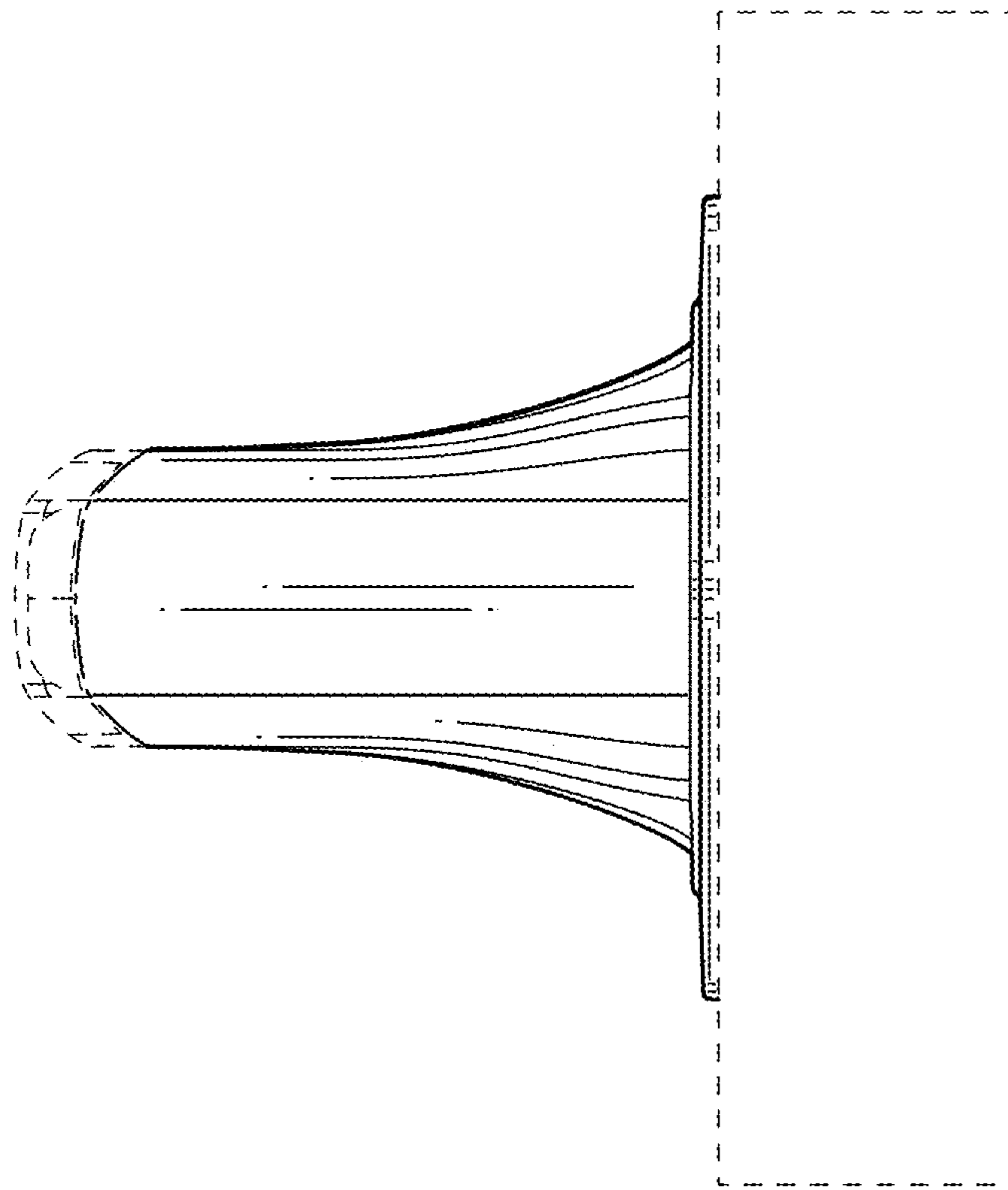


FIG. 6