



US00D960471S

(12) **United States Design Patent**
Yu et al.

(10) **Patent No.:** **US D960,471 S**
(45) **Date of Patent:** **** Aug. 9, 2022**

(54) **ROBOTIC CLEANER**

(71) Applicant: **Ecovacs Robotics Co., Ltd., Suzhou (CN)**

(72) Inventors: **Xintong Yu**, Baiyin (CN); **Xiaowen Li**, Nanjing (CN); **Pingxing Huang**, Shaowu (CN); **XiaoJuan Chen**, Xiamen (CN)

(73) Assignee: **ECOVACS ROBOTICS CO., LTD., Suzhou (CN)**

(**) Term: **15 Years**

(21) Appl. No.: **29/656,120**

(22) Filed: **Jul. 10, 2018**

(30) **Foreign Application Priority Data**

Jan. 10, 2018 (CN) 201830010367.0

(51) **LOC (13) Cl.** **15-05**

(52) **U.S. Cl.**
USPC **D32/21**

(58) **Field of Classification Search**
USPC D32/21, 31; D21/526, 578; D8/70, 310, D8/330; D10/37, 38, 50, 106.2, 106.5; D13/108, 209; D14/218, 248, 341, 344; D23/254
CPC . A47L 5/08; A47L 5/30; A47L 7/0004; A47L 9/04; A47L 9/168; A47L 9/2805; A47L 9/2873; A47L 11/4011; A47L 11/4016; A47L 11/4038; A47L 11/4041; A47L 11/4044; A47L 2201/02; A47L 2201/04; A47L 2201/06; B25J 9/0003; B25J 9/1694; E04H 4/1636; G05D 1/0225; G06N 3/008

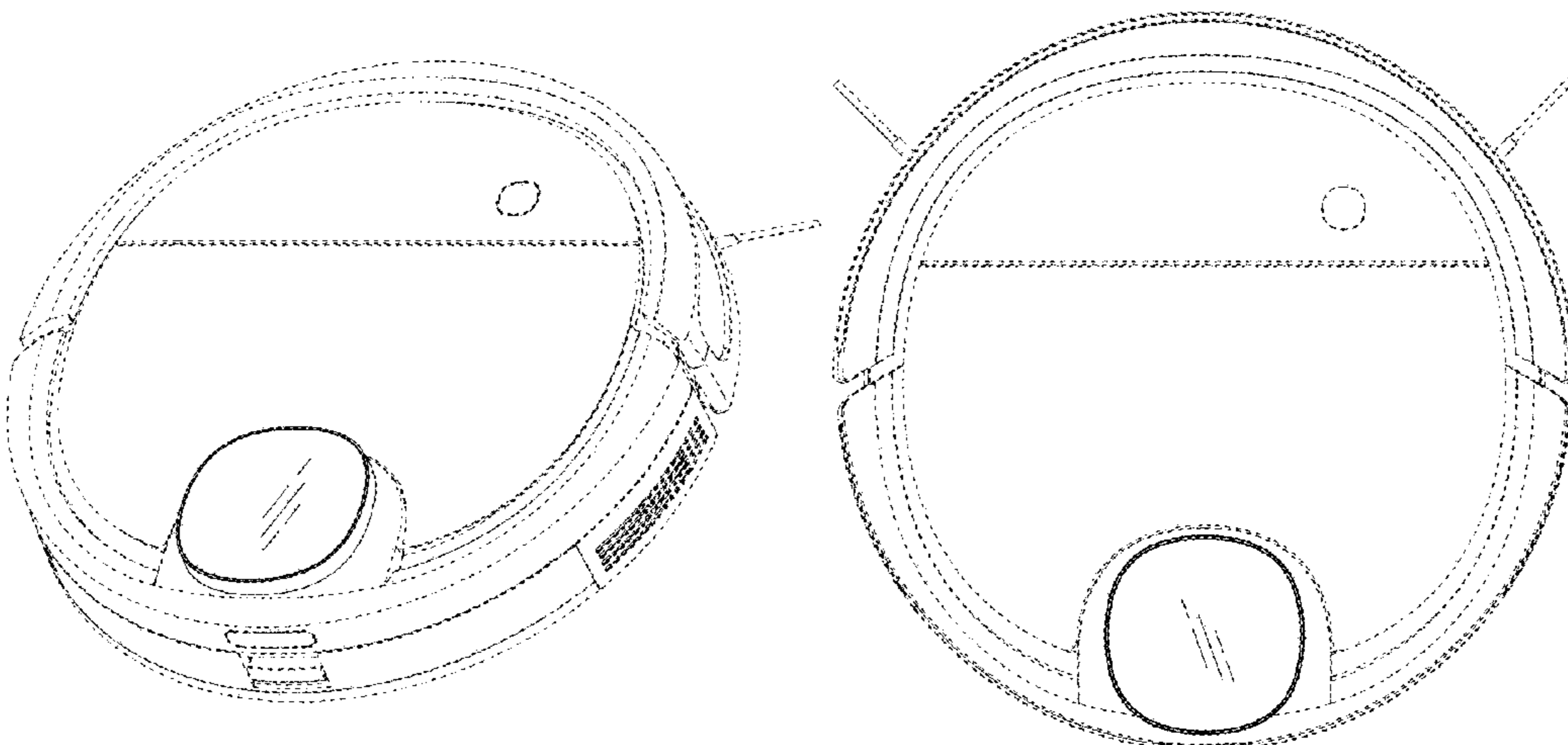
See application file for complete search history.

(56) **References Cited**

U.S. PATENT DOCUMENTS

D40,188 S * 7/1909 Crane D23/205
D399,392 S * 10/1998 Husted D7/511

D588,066 S * 3/2009 Kettula D13/108
D593,265 S * 5/2009 Carr D32/21
D598,375 S * 8/2009 Nomi D13/108
D598,522 S * 8/2009 Schoenherr D23/254
D606,545 S * 12/2009 Salmon D13/108
D609,311 S * 2/2010 Schoenherr D23/250
D610,238 S * 2/2010 Urquiola D23/250
D625,059 S * 10/2010 Morenstein D32/21
D627,728 S * 11/2010 Smith D13/138.1
D628,153 S * 11/2010 Fujii D13/108
D675,190 S * 1/2013 Nylen D14/215
D675,303 S * 1/2013 Raupach D23/364
D691,337 S * 10/2013 Kim D32/21
D703,397 S * 4/2014 Sungkyung D32/21
D704,400 S * 5/2014 Shin D32/21
D706,145 S * 6/2014 Pavlak D10/50
D709,255 S * 7/2014 Wang D32/21
D709,873 S * 7/2014 Aumiller D14/344
D714,288 S * 9/2014 Aumiller D14/344
D718,234 S * 11/2014 Rautiainen D13/108
D720,510 S * 12/2014 Shin D32/21
D720,511 S * 12/2014 Shin D32/21
D722,259 S * 2/2015 Conner D8/300
D722,962 S * 2/2015 Kim D13/108
D736,468 S * 8/2015 Goswell D28/83
D738,302 S * 9/2015 Jeong D13/108
D743,645 S * 11/2015 Lee D32/21
D761,135 S * 7/2016 Allen, Sr. D10/50
D769,224 S * 10/2016 Xu D14/215
D769,867 S * 10/2016 Aumiller D14/344
D770,930 S * 11/2016 Li D10/106.2
D772,866 S * 11/2016 Park D14/344
D778,515 S * 2/2017 Choi D32/21
D782,455 S * 3/2017 Kim D14/248
D786,710 S * 5/2017 Repp D10/50
D789,352 S * 6/2017 Kong D14/314
D818,325 S * 5/2018 Ogilvie D7/630
D819,189 S * 5/2018 Chen D23/332
D835,070 S * 12/2018 DePasquale D14/216
D840,617 S * 2/2019 Dou D32/21
D841,140 S * 2/2019 Chen D23/336
D843,235 S * 3/2019 McKinnon D10/50
D845,277 S * 4/2019 Yoon D14/216
D845,551 S * 4/2019 Weinrich D28/83
D847,805 S * 5/2019 Lederer D14/250
D853,036 S * 7/2019 Lee D28/82
D858,758 S * 9/2019 Mulumudi D24/134
D867,701 S * 11/2019 Mi D32/31
D867,905 S * 11/2019 McKinnon D10/50
D869,109 S * 12/2019 Yu D32/21
D875,041 S * 2/2020 Chen D13/108
D877,068 S * 3/2020 Wang D13/108
D883,511 S * 5/2020 Li D24/217



D884,298	S	*	5/2020	Li	D32/21
D884,489	S	*	5/2020	Yu	D10/15
D884,615	S	*	5/2020	Ito	D13/108
D903,664	S	*	12/2020	Riot	D14/344
D905,118	S	*	12/2020	Thun	D15/7
D910,617	S	*	2/2021	Vandenbussche	D14/344
D912,621	S	*	3/2021	Qiu	D13/108
D912,665	S	*	3/2021	Zhang	D14/344
D915,015	S	*	3/2021	Tan	D32/31
D915,398	S	*	4/2021	Yu	D14/344
D916,601	S	*	4/2021	Ylikorkko	D10/38
D917,117	S	*	4/2021	Cao	D32/21
D919,211	S	*	5/2021	Chang	D32/21
D920,238	S	*	5/2021	Xiao	D13/108
D920,907	S	*	6/2021	Cox	D13/108
D921,308	S	*	6/2021	Cao	D32/21
D921,309	S	*	6/2021	Liu	D32/21
D922,011	S	*	6/2021	Ren	D32/21
D923,451	S	*	6/2021	Kelsch	D8/330
D924,796	S	*	7/2021	Ye	D13/108
D927,107	S	*	8/2021	Choi	D32/21
D927,108	S	*	8/2021	Choi	D32/21
D927,805	S	*	8/2021	Choi	D32/21
D930,300	S	*	9/2021	Lee	D32/21
D933,319	S	*	10/2021	Lyu	D32/21
D935,712	S	*	11/2021	Wang	D32/21
2018/0344118	A1	*	12/2018	Kim	B62D 55/125
2020/0205627	A1	*	7/2020	Choi	A47L 9/106

FOREIGN PATENT DOCUMENTS

CN	302560172	*	9/2013
CN	302606593	*	10/2013
CN	302865240	*	7/2014
CN	302917427	*	8/2014
CN	303226190	*	5/2015
CN	303979123	*	12/2016
CN	304018914	*	1/2017
CN	304018914	S	1/2017
CN	304184717	*	6/2017
CN	304184717	S	6/2017
CN	304184718	S	6/2017
CN	304245842	*	8/2017
CN	304245842	S	8/2017
CN	304257729	*	8/2017
CN	304257729	S	8/2017
CN	304369871	*	11/2017
CN	304369871	S	11/2017
CN	304437192	*	1/2018
CN	304566598	*	4/2018
CN	304630366	*	5/2018
CN	304651528	*	5/2018
CN	304705643	*	6/2018
CN	304717345	*	7/2018
CN	304732111	*	7/2018
CN	304926998	*	12/2018
CN	305109773	*	4/2019
CN	305211139	*	6/2019
KR	300931398.0000	*	11/2020

OTHER PUBLICATIONS

Product Maintenance Deebot Ozmo 900, announced in YouTube on Dec. 9, 2018 [online], [site visited Nov. 30, 2020], Available from the internet URL: <https://www.youtube.com/watch?v=iMosO9FtcRg&app=desktop> (Year: 2018).*

Ecovacs Deebot Ozmo 950, announced in YouTube on Aug. 13, 2019 [online], [site visited Nov. 30, 2020], Available from the internet URL: <https://www.youtube.com/watch?v=IZuHgVoJnok> (Year: 2019).*

Smart Garage Door Opener available in amazon.com, date first available Aug. 20, 2020 [online], [site visited Nov. 30, 2020], Internet URL: https://www.amazon.com/dp/B08GD3D9YJ/ref=cm_sw_r_em_apa_fabt1_d1C_3bXWfB8DXY9N0?_encoding=UTF8&th=1 (Year: 2020).*

Cuchen Rice Cooker, available in behance.net, announced Year 2020 [online], [site visited Nov. 30, 2020], Internet URL: https://www.behance.net/gallery/92339069/Cuchen-Rice-Cooker?tracking_source=search_projects_recommended%7CCuchen%20Rice%20Cooker (Year: 2020).*

Midea Induction Cooker, available in behance.net, announced Year 2020 [online], [site visited Nov. 30, 2020], Internet URL: https://www.behance.net/gallery/103879799/Midea-Induction-Cooker?tracking_source=search_projects_recommended%7CCuchen%20Rice%20Cooker (Year: 2020).*

Ecobee Smart Wi-Fi, available in amazon.com, date first available Aug. 31, 2017 [online], [site visited Nov. 30, 2020], Internet URL: https://www.amazon.com/dp/B0759JDTT6/ref=cm_sw_r_em_apa_fabt1_R-WWFbJGR5ANH?_encoding=UTF8&psc=1 (Year: 2017).*

Samsung Wi-Fi Mesh Router, available in amazon.com, date first available Aug. 12, 2018 [online], [site visited Nov. 30, 2020], Internet URL: <https://www.amazon.com/Samsung-SmartThings-Extender-Functionality-Whole-Home/dp/B07FCRCD93> (Year: 2018).*

Fan Design, available in pinterest.com, announced Year 2020 [online], [site visited Nov. 30, 2020], Internet URL: https://www.pinterest.com/pin/586171707742780109/sent/?invite_code=666c93dfc5914b6db1806b35c8cf220f&sender=796504021505466042&sfo=1 (Year: 2020).*

Philips Compact Automotive Clean Air System, available in pinterest.com, announced Year 2020 [online], [site visited Nov. 30, 2020], Internet URL: <https://www.pinterest.com/pin/427912402071818895/?d=t&mt=login> (Year: 2020).*

Odistar Desktop Vacuum Cleaner, available in Amazon.com, date first available Mar. 22, 2019 [online], [site visited May 4, 2021], Available from the internet URL: https://www.amazon.co.uk/dp/B07Y349YLD/ref=cm_sw_em_r_mt_imm_awdb_6Z4FFPN6BAKKMRHZXE2B (Year: 2019).*

2G 4/8GB Zune Review, announced in YouTube on Apr. 3, 2008 [online], [site visited May 4, 2021], Available from the internet URL: <https://www.youtube.com/watch?v=1WpfNOhQrgl> (Year: 2008).*

* cited by examiner

Primary Examiner — Amy C Wierenga
Assistant Examiner — Jennylou M Binas
(74) *Attorney, Agent, or Firm* — Maschoff Brennan

(57) **CLAIM**

We claim the ornamental design for a robotic cleaner, as shown and described.

DESCRIPTION

FIG. 1 is a front perspective view of a robotic cleaner, showing our new design;
FIG. 2 is a top view thereof;
FIG. 3 is a bottom view thereof;
FIG. 4 is a front view thereof;
FIG. 5 is a right-side view thereof;
FIG. 6 is a rear view thereof; and,
FIG. 7 is a left side view thereof.
The broken lines shown in the drawings illustrate portions of the robotic cleaner that form no part of claimed design.

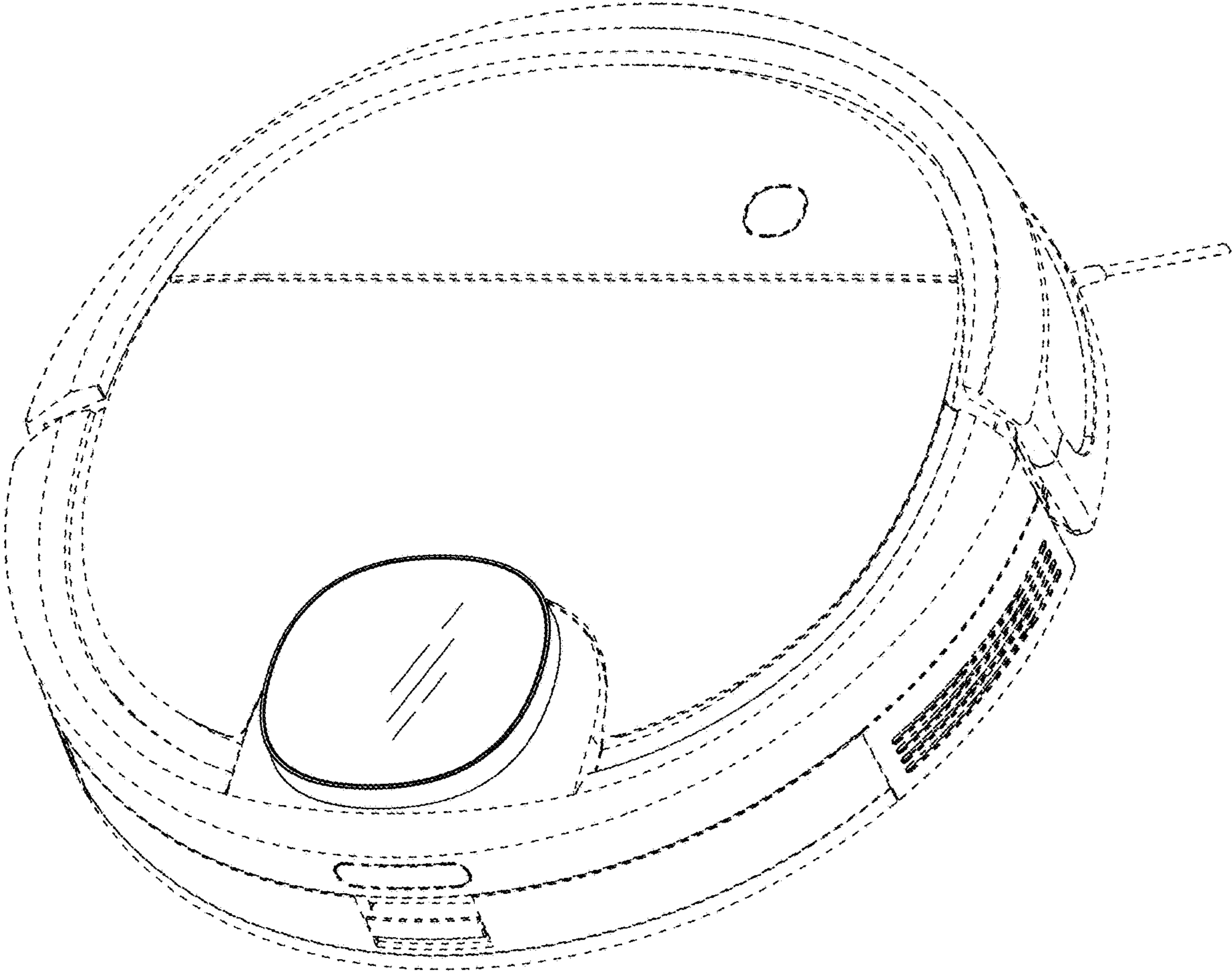


FIG. 1

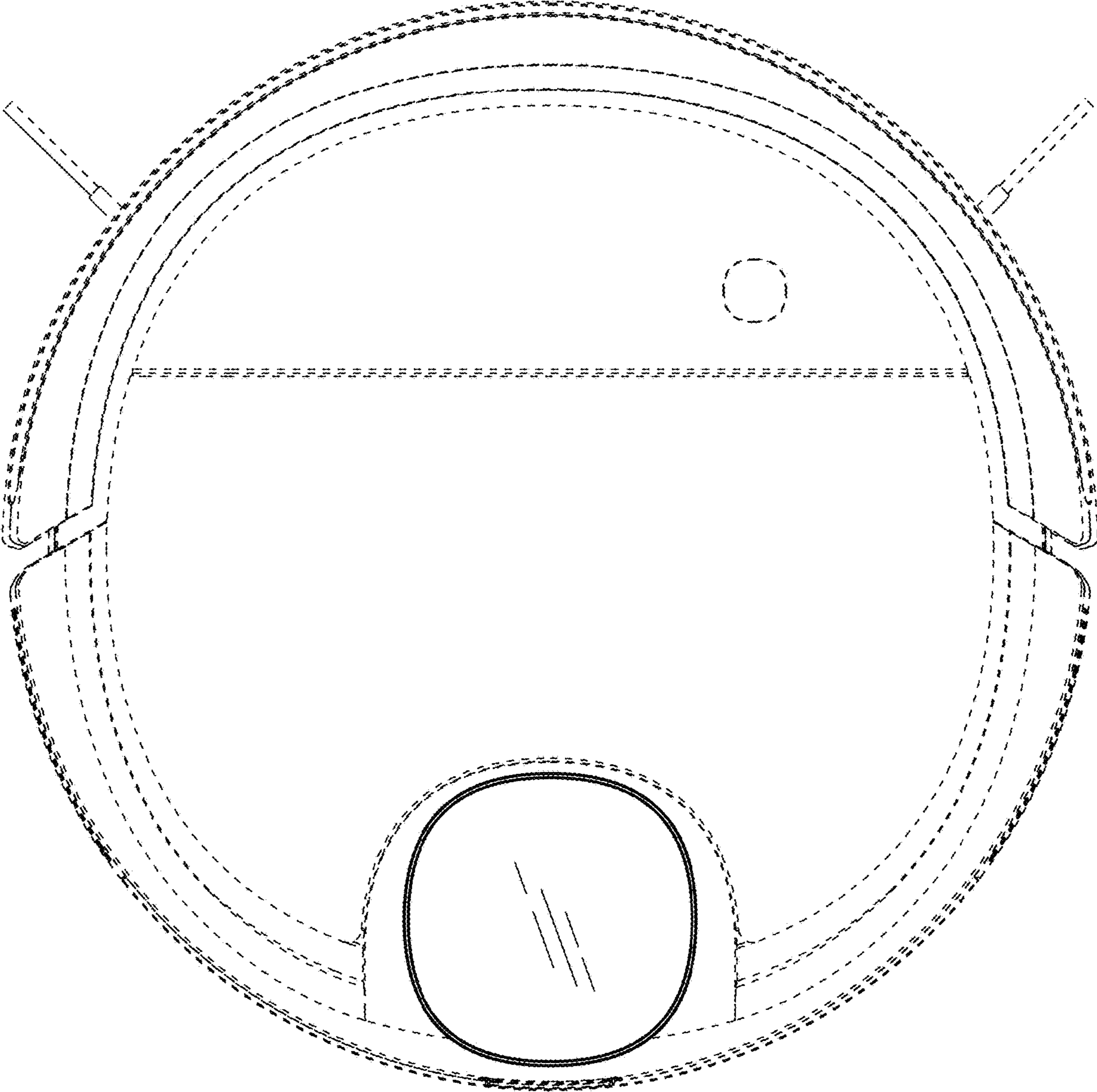


FIG. 2

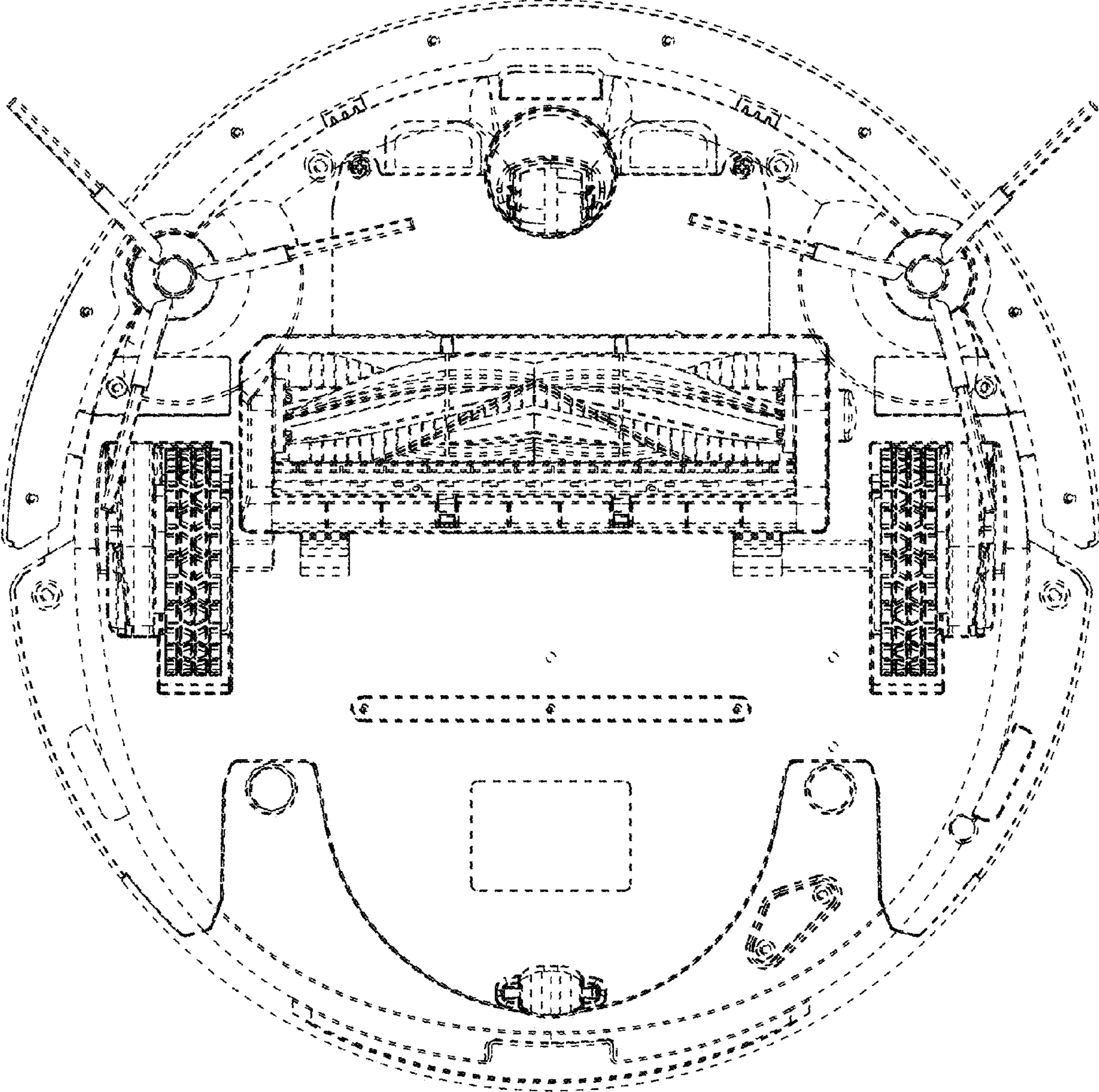


FIG. 3

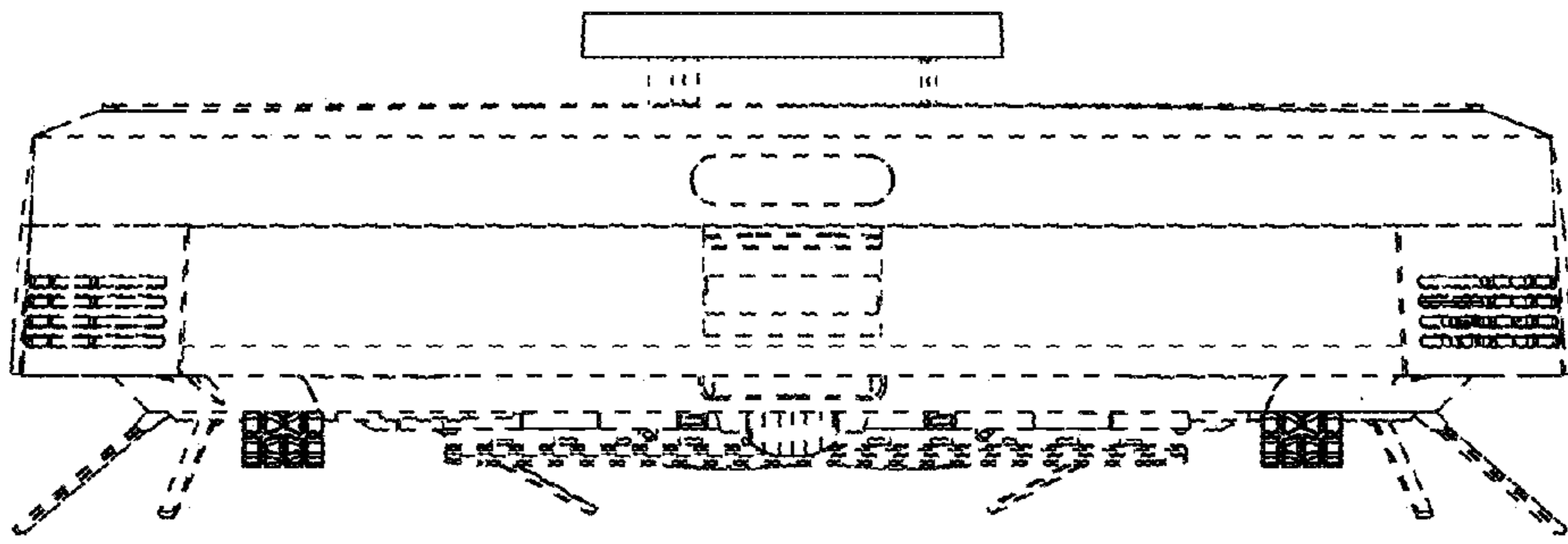


FIG. 4

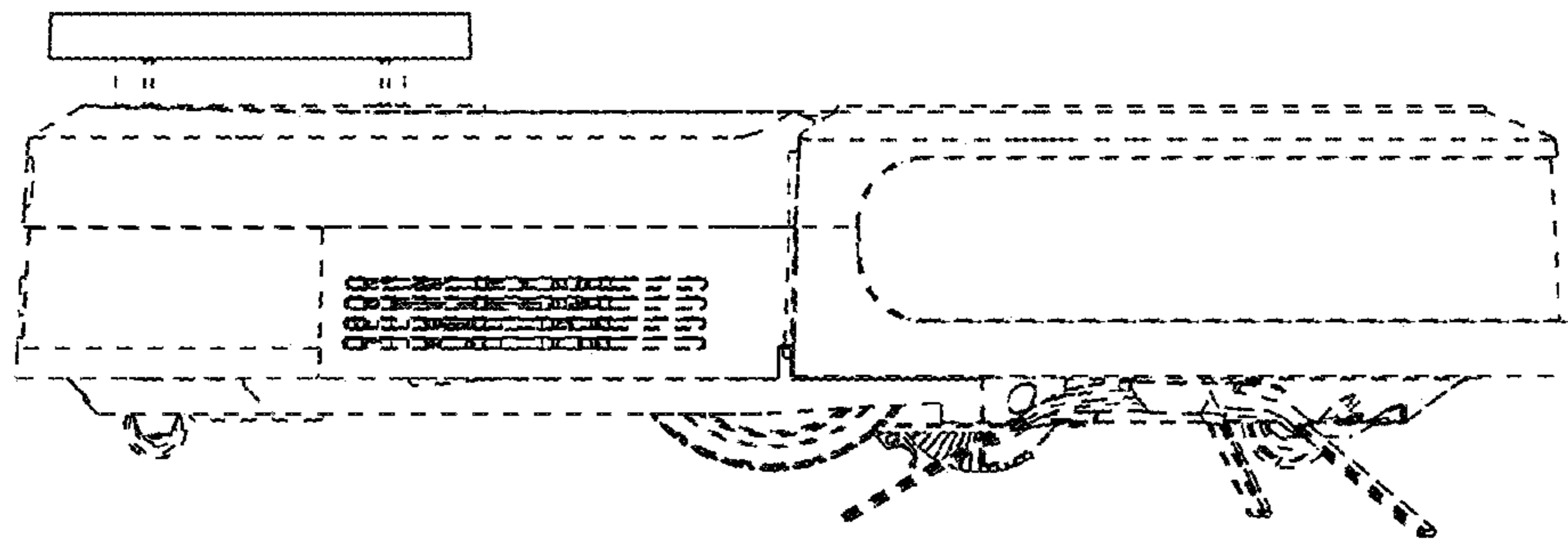


FIG. 5

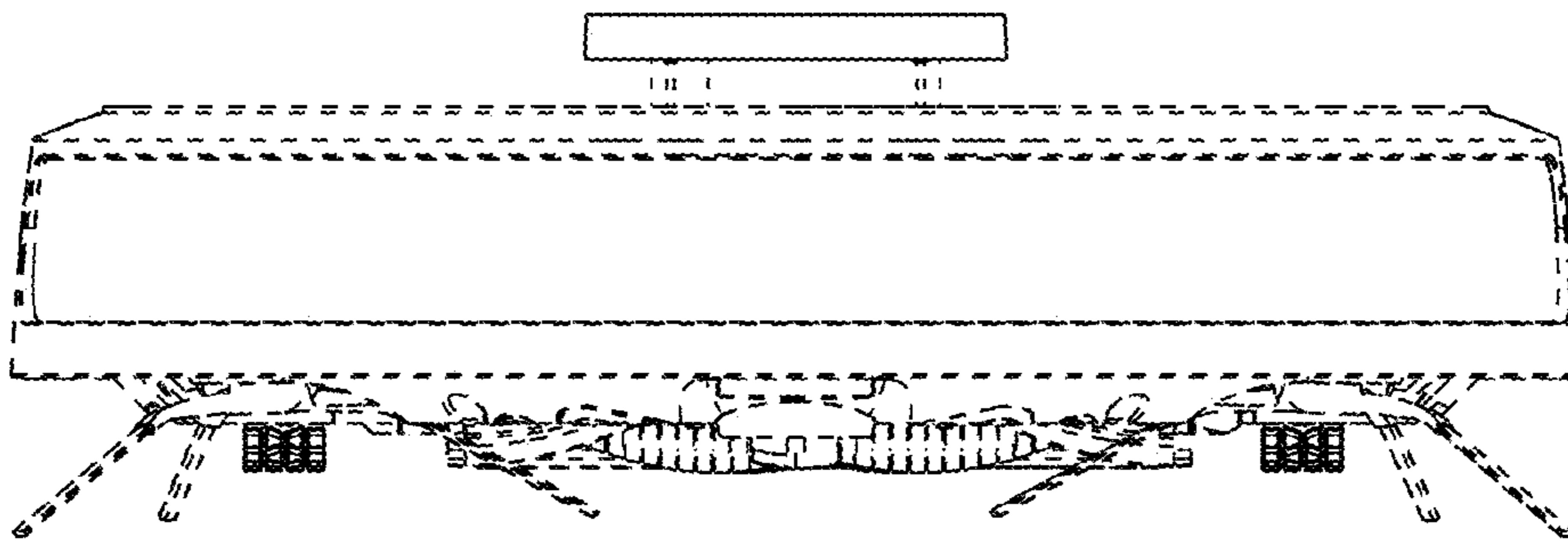


FIG. 6

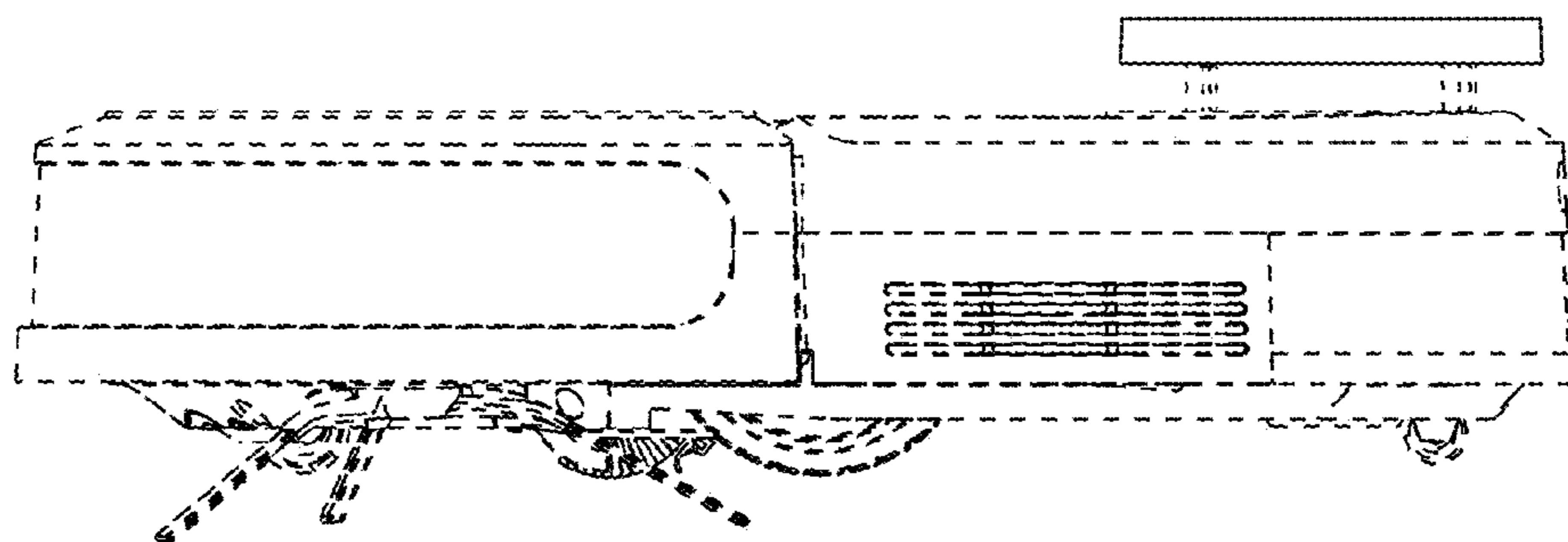


FIG. 7