

US00D960467S

(12) **United States Design Patent**
Lee et al.

(10) **Patent No.:** **US D960,467 S**
(45) **Date of Patent:** **** Aug. 9, 2022**

(54) **ELECTRONIC WASHING AND DRYING MACHINE FOR LAUNDRY PURPOSE**

(71) Applicant: **LG ELECTRONICS INC., Seoul (KR)**

(72) Inventors: **Junghwan Lee, Seoul (KR); Sojin Park, Seoul (KR); Eunyoung Chee, Seoul (KR); Nerry Son, Seoul (KR); Hyewon Kim, Seoul (KR)**

(73) Assignee: **LG ELECTRONICS INC., Seoul (KR)**

(**) Term: **15 Years**

(21) Appl. No.: **29/728,711**

(22) Filed: **Mar. 20, 2020**

(30) **Foreign Application Priority Data**

Sep. 20, 2019 (KR) 30-2019-0045276

(51) **LOC (13) Cl.** **15-05**

(52) **U.S. Cl.**
USPC **D32/5**

(58) **Field of Classification Search**
USPC D21/526; D32/5, 6, 8, 11, 25
CPC D06F 25/00; D06F 95/00; D06F 39/125;
D06F 23/02; D06F 58/02; D06F 29/005;
D06F 58/26; D06F 39/12; D06F 39/083
See application file for complete search history.

(56) **References Cited**

U.S. PATENT DOCUMENTS

D298,873 S * 12/1988 Erickson D32/5
D374,521 S * 10/1996 Jackovin D32/5
6,671,978 B1 * 1/2004 McGowan D06F 29/00
34/527
D517,254 S * 3/2006 Geyer D32/5
D640,020 S * 6/2011 Helot D32/5
D739,095 S * 9/2015 Shu D32/6

D776,374 S * 1/2017 Lee D32/11
D780,386 S * 2/2017 Lee D32/6
D781,004 S * 3/2017 Lee D32/6
D851,844 S * 6/2019 Kong D32/5
D853,062 S * 7/2019 Yoo D32/25
2007/0169519 A1 * 7/2007 Hershey D06F 95/00
68/3 R
2021/0148030 A1 * 5/2021 Lv D06F 37/30
2021/0254265 A1 * 8/2021 Cho D06F 29/005
2021/0277559 A1 * 9/2021 Kwon D06F 58/26
2021/0277567 A1 * 9/2021 Jung D06F 34/34
(Continued)

OTHER PUBLICATIONS

Home Depot <https://www.homedepot.com/p/LG-Electronics-27-in-Black-Steel-WashTower-Laundry-Center-with-4-5-cu-ft-Front-Load-Washer-and-7-4-cu-ft-Electric-Dryer-WKEX200HBA/314744262>
(Year: 2021).*

Primary Examiner — Michelle E. Wilson

Assistant Examiner — Richard E Yenchesky

(74) *Attorney, Agent, or Firm* — Birch, Stewart, Kolasch & Birch, LLP

(57) **CLAIM**

The ornamental design for an electronic washing and drying machine for laundry purpose, as shown and described.

DESCRIPTION

FIG. 1 is a front perspective view of the electronic washing and drying machine for laundry purpose showing our new design;

FIG. 2 is a front view thereof;

FIG. 3 is a rear view thereof;

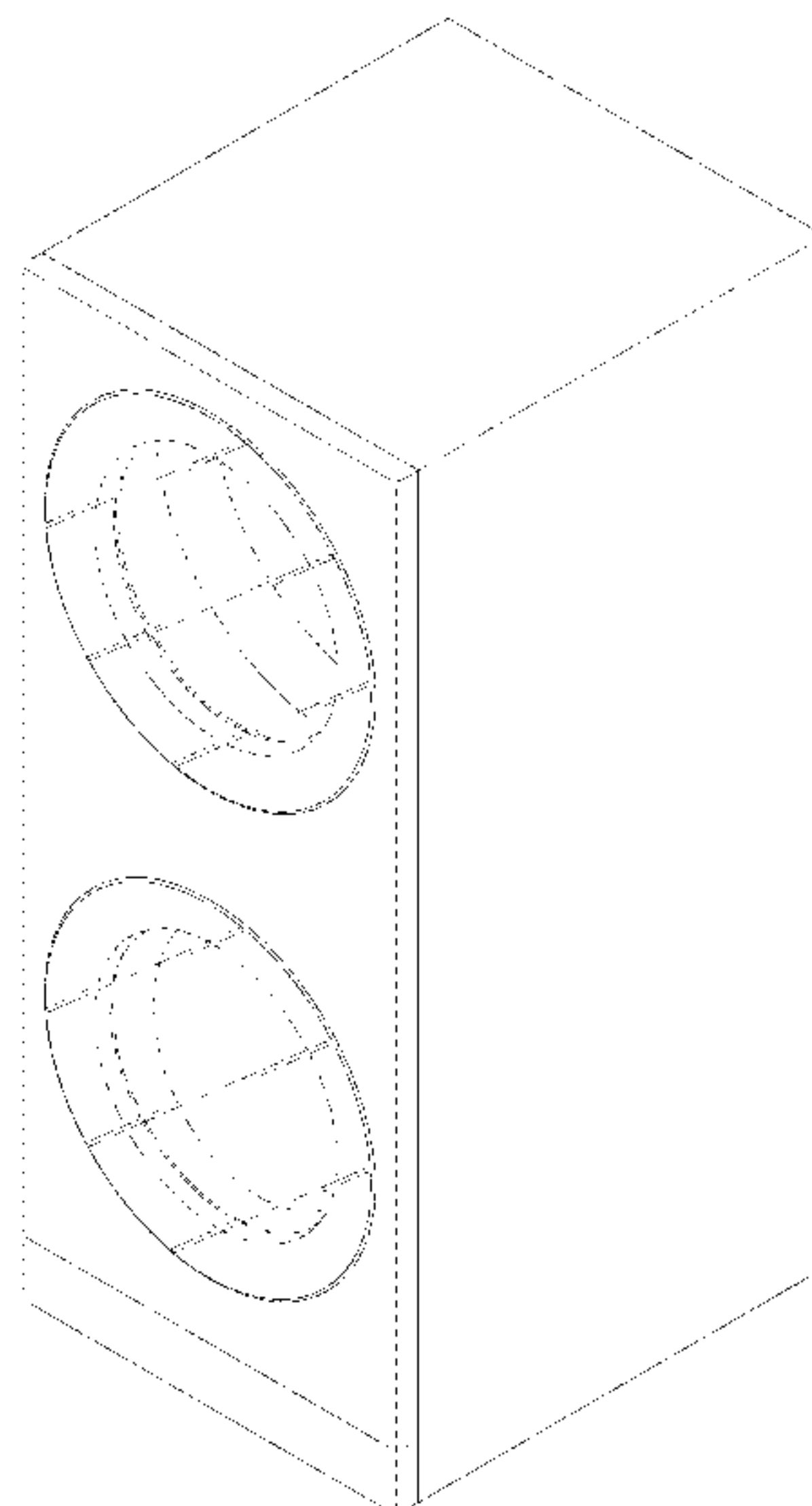
FIG. 4 is a left side view thereof where the right side view is a mirror image;

FIG. 5 is a top view thereof;

FIG. 6 is a bottom view thereof; and,

FIG. 7 is a perspective view, with the control panel shown in use.

1 Claim, 7 Drawing Sheets



(56)

References Cited

U.S. PATENT DOCUMENTS

2021/0277568 A1* 9/2021 Jung D06F 58/02
2021/0277580 A1* 9/2021 Jung D06F 23/02
2021/0277581 A1* 9/2021 Cho D06F 39/125

* cited by examiner

FIG. 1

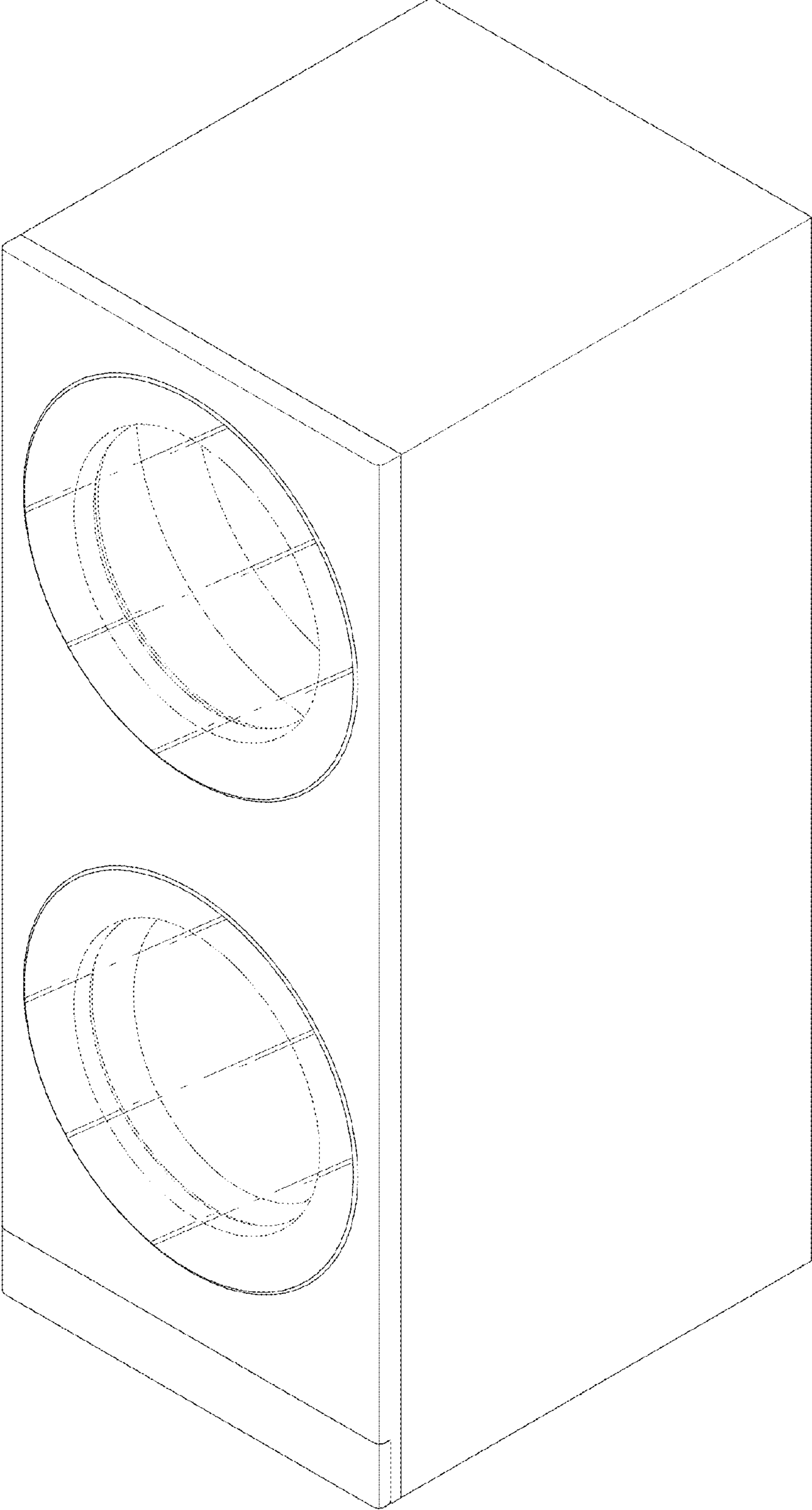


FIG. 2

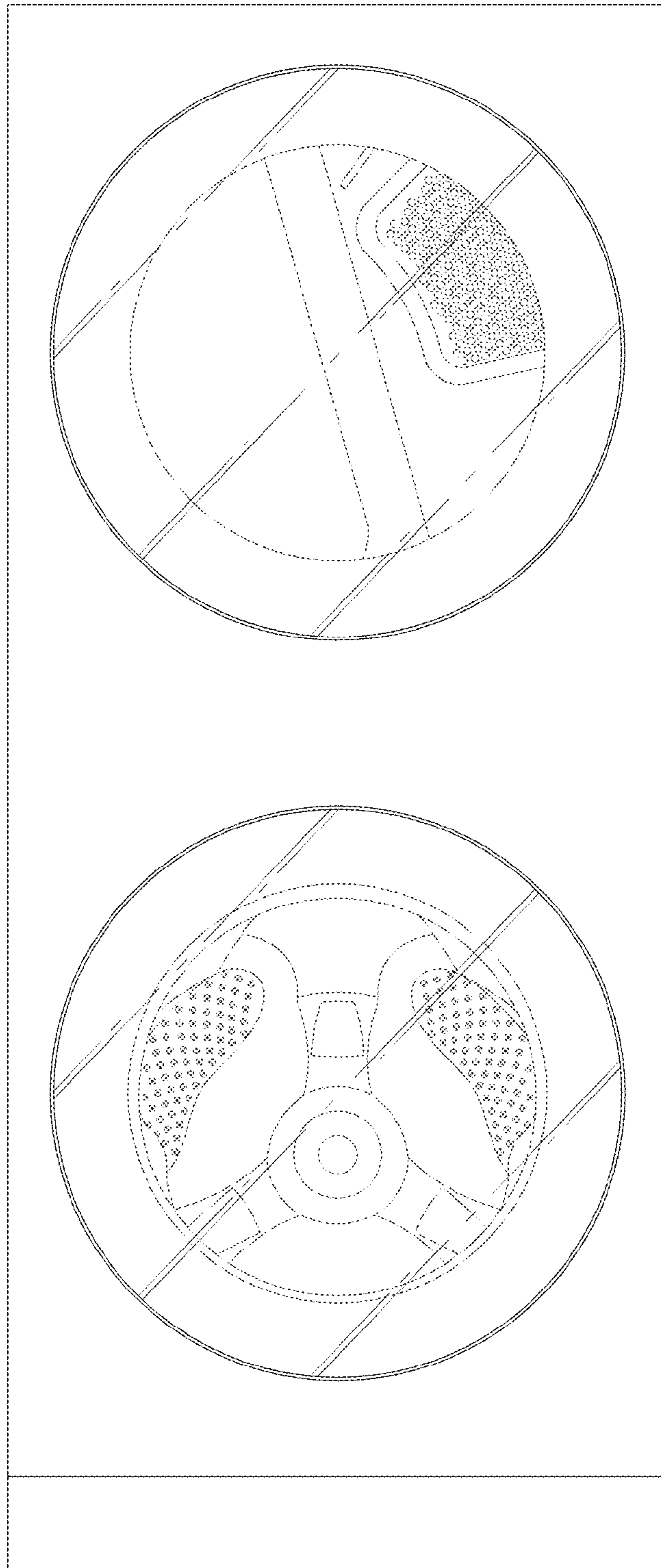


FIG. 3

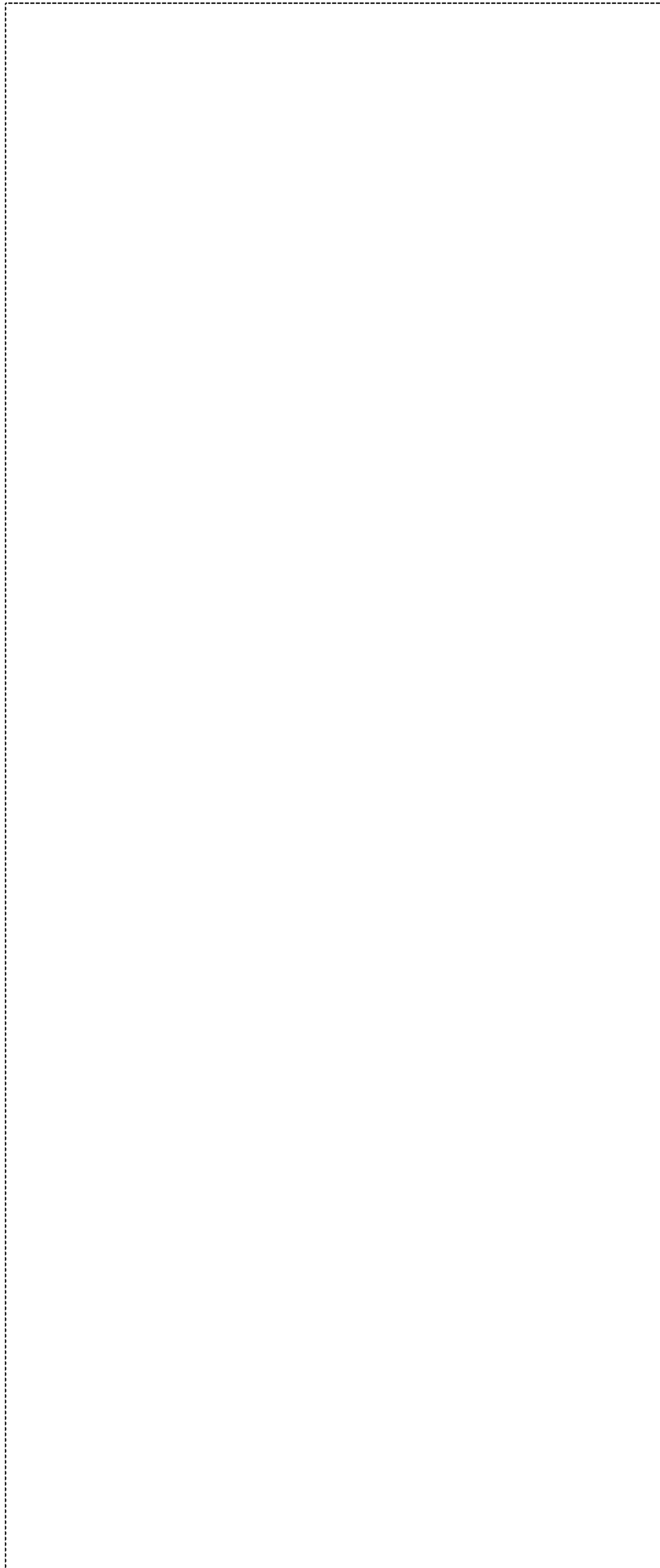


FIG. 4

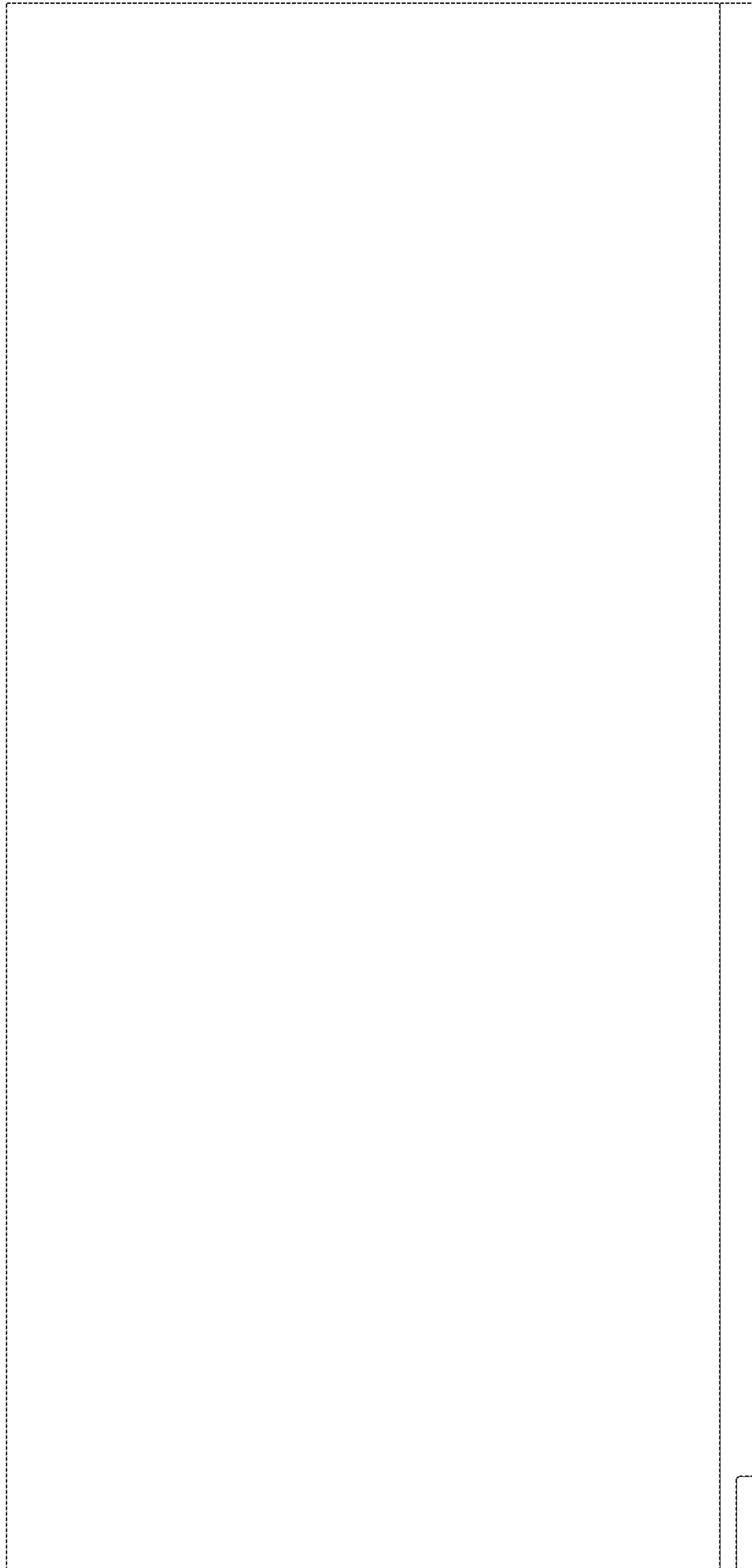


FIG. 5

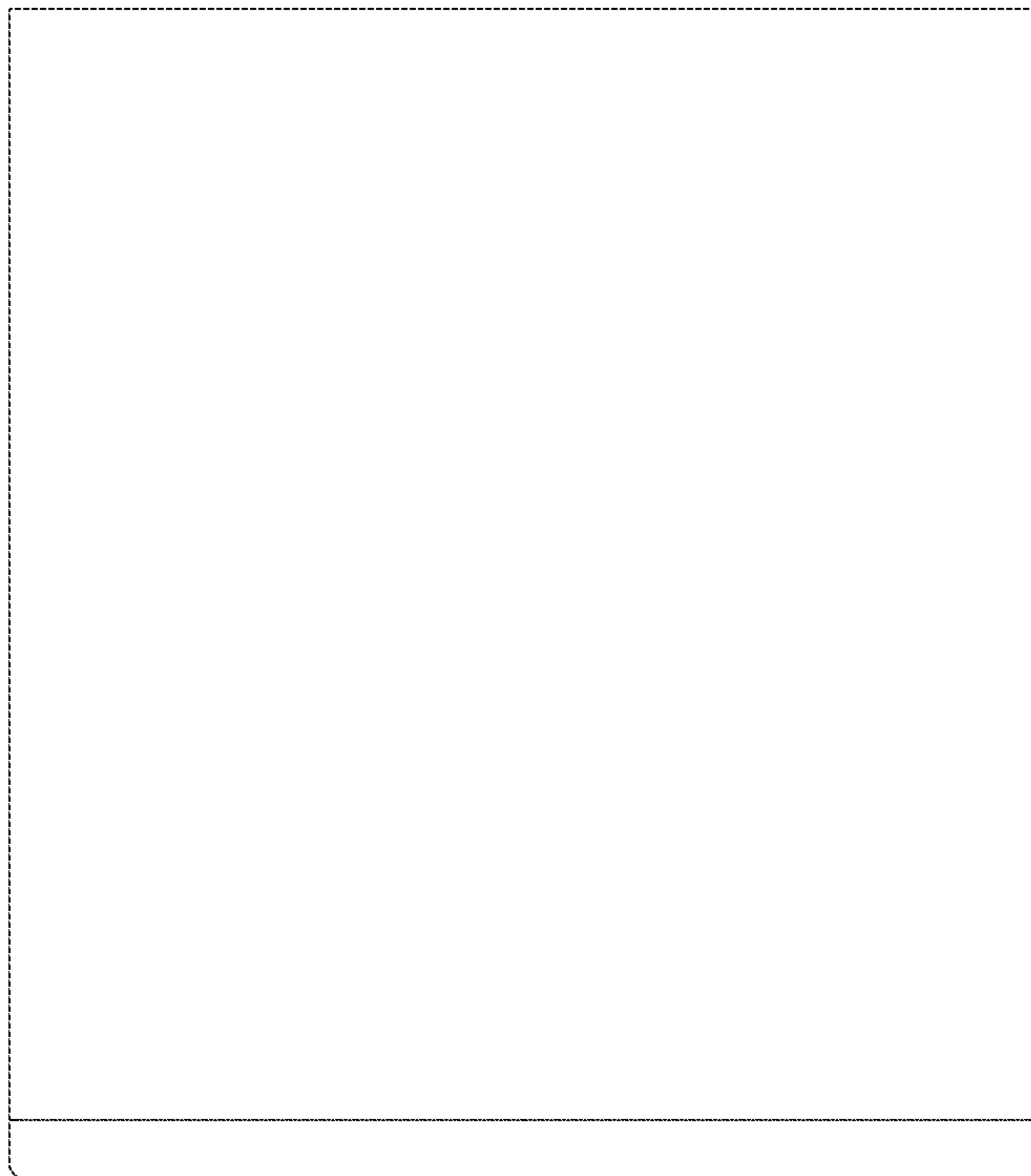


FIG. 6

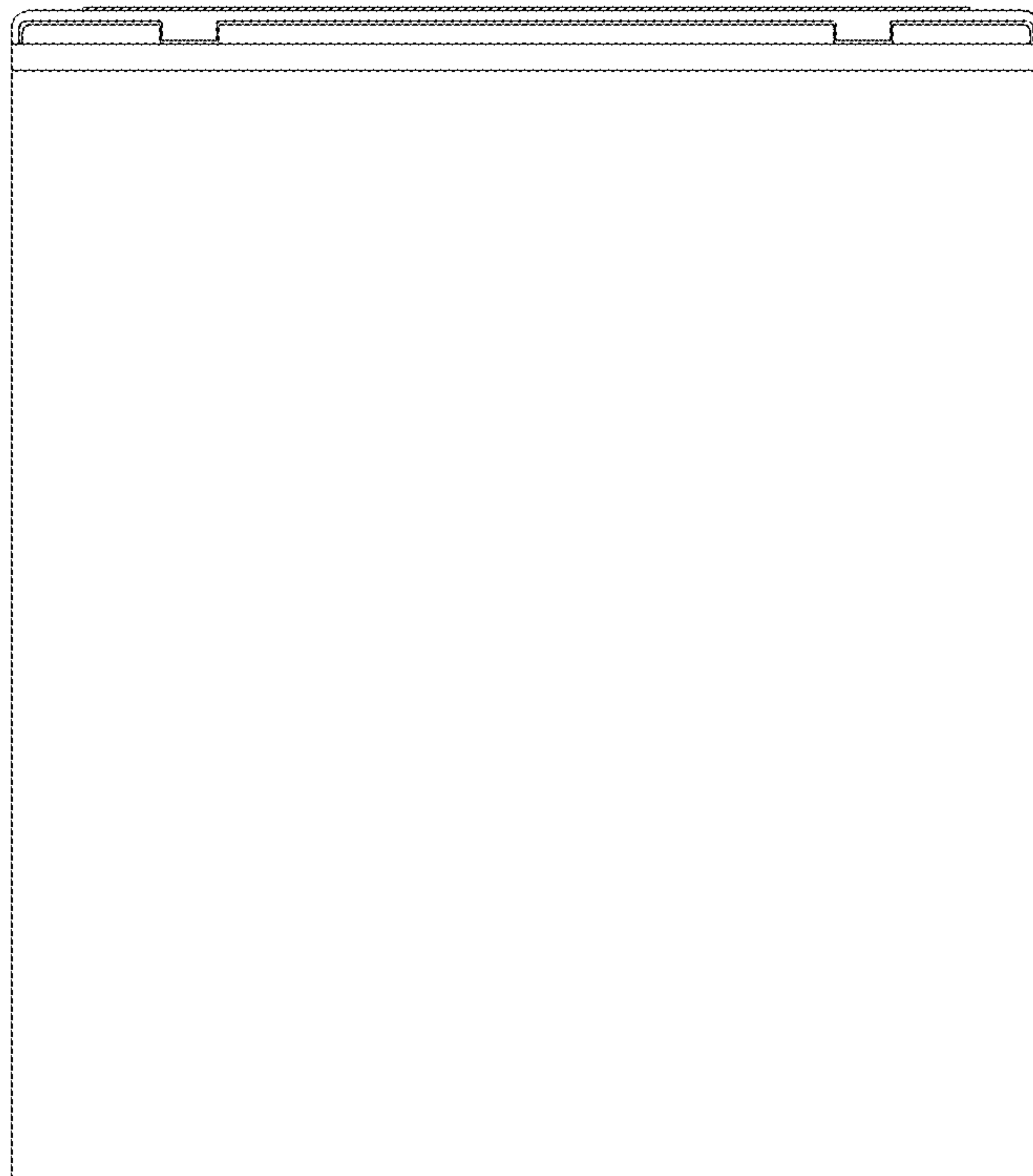


FIG. 7

