

US00D960466S

(12) **United States Design Patent** (10) **Patent No.:** **US D960,466 S**  
**Viswanathan et al.** (45) **Date of Patent:** **\*\* Aug. 9, 2022**

(54) **DISHWASHER RACK ASSEMBLY**

FOREIGN PATENT DOCUMENTS

(71) Applicant: **Whirlpool Corporation**, Benton Harbor, MI (US)

CN 307125899 \* 2/2022  
EP 0186157 A1 7/1986

(Continued)

(72) Inventors: **Ameresh B. Viswanathan**, Saint Joseph, MI (US); **Jonathan D. Pugh**, Benton Harbor, MI (US); **Darryl C. Bodine**, Saint Joseph, MI (US); **Mark S. Feddema**, Kalamazoo, MI (US); **Ajay Satish Singhal**, Saint Joseph, MI (US)

OTHER PUBLICATIONS

An Overview of KitchenAid Dishwasher KDTM404KPS, announced in YouTube on Jan. 19, 2021 [online], [site visited Apr. 5, 2022], Available from the internet URL: An Overview of KitchenAid Dishwasher (KDTM404KPS) | KitchenAid Dishwasher Review (2021) (Year: 2021).\*

(Continued)

(73) Assignee: **Whirlpool Corporation**, Benton Harbor, MI (US)

*Primary Examiner* — Amy C Wierenga  
*Assistant Examiner* — Jennylou M Binas

(74) *Attorney, Agent, or Firm* — McGarry Bair PC

(\*\*) Term: **15 Years**

(21) Appl. No.: **29/702,779**

(57) **CLAIM**

The ornamental design for a dishwasher rack assembly, as shown and described.

(22) Filed: **Aug. 22, 2019**

**DESCRIPTION**

**Related U.S. Application Data**

(63) Continuation of application No. 16/220,796, filed on Dec. 14, 2018, now Pat. No. 10,888,212, and a  
(Continued)

(51) **LOC (13) Cl.** ..... **15-05**

(52) **U.S. Cl.**  
USPC ..... **D32/3**

(58) **Field of Classification Search**  
USPC ..... D32/2, 3, 55; D3/304, 306, 311–312;  
D6/663, 675.2, 705, 705.6; D7/600.1,  
D7/600.3  
(Continued)

FIG. 1 is a top perspective view of a dishwasher rack assembly showing my new design;  
FIG. 2 is a bottom perspective view thereof;  
FIG. 3 is a front view thereof;  
FIG. 4 is rear side view thereof;  
FIG. 5 is a left side view thereof;  
FIG. 6 is a right side view thereof;  
FIG. 7 is a top view thereof; and  
FIG. 8 is a bottom view thereof.  
FIG. 9 is a top perspective view of the dishwasher rack and sprayer only from FIG. 1.  
FIG. 10 is a bottom perspective view thereof;  
FIG. 11 is a left side view thereof;  
FIG. 12 is a right side view thereof;  
FIG. 13 is a top view thereof; and  
FIG. 14 is a bottom view thereof.  
FIG. 15 is a front perspective view of the sprayer assembly only shown in a disassemble state from FIG. 1.  
FIG. 16 is a bottom perspective view thereof;

(Continued)

(56) **References Cited**

U.S. PATENT DOCUMENTS

2,910,207 A 10/1959 Andrew  
3,040,901 A 6/1962 Andrew

(Continued)

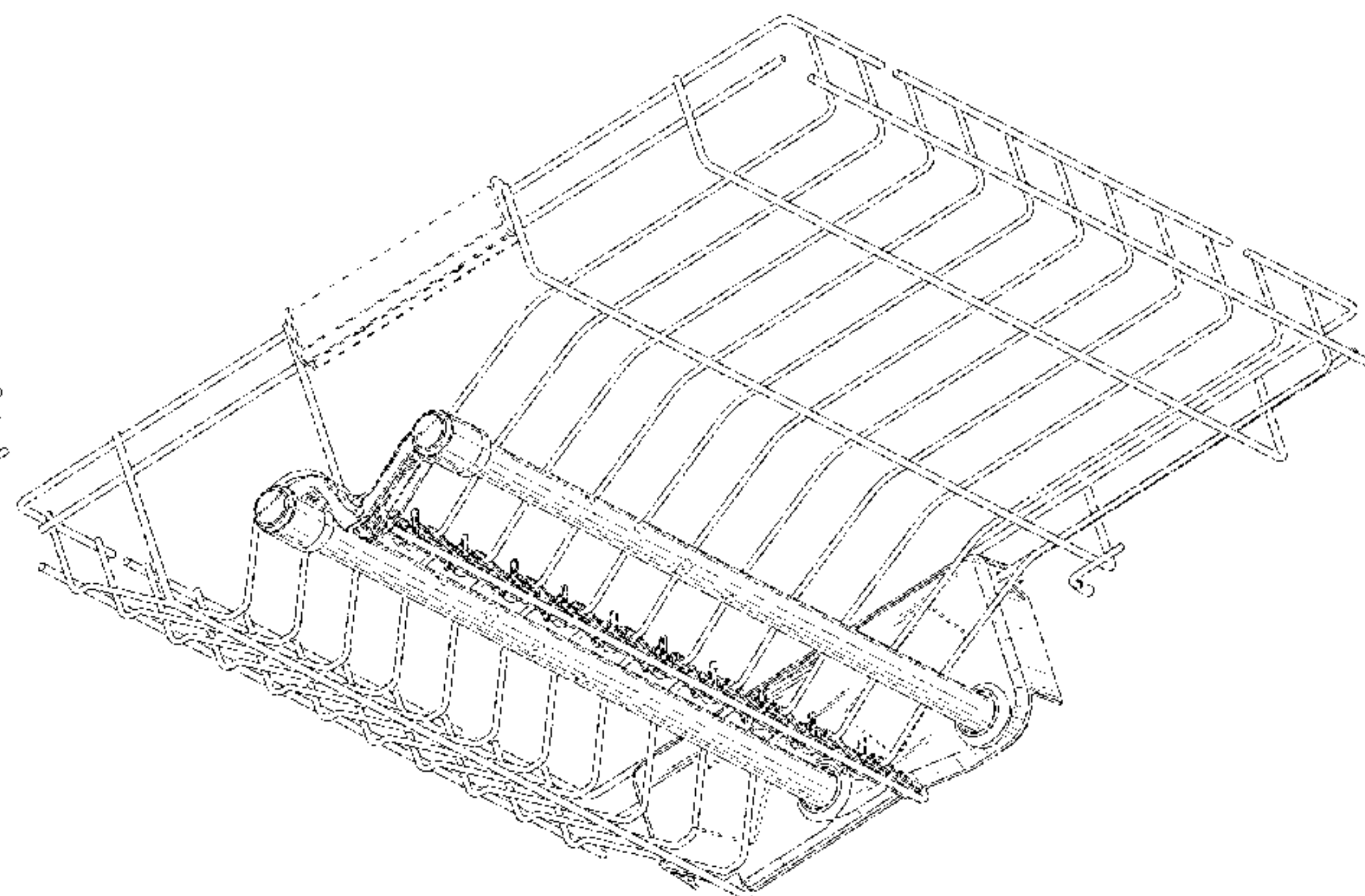
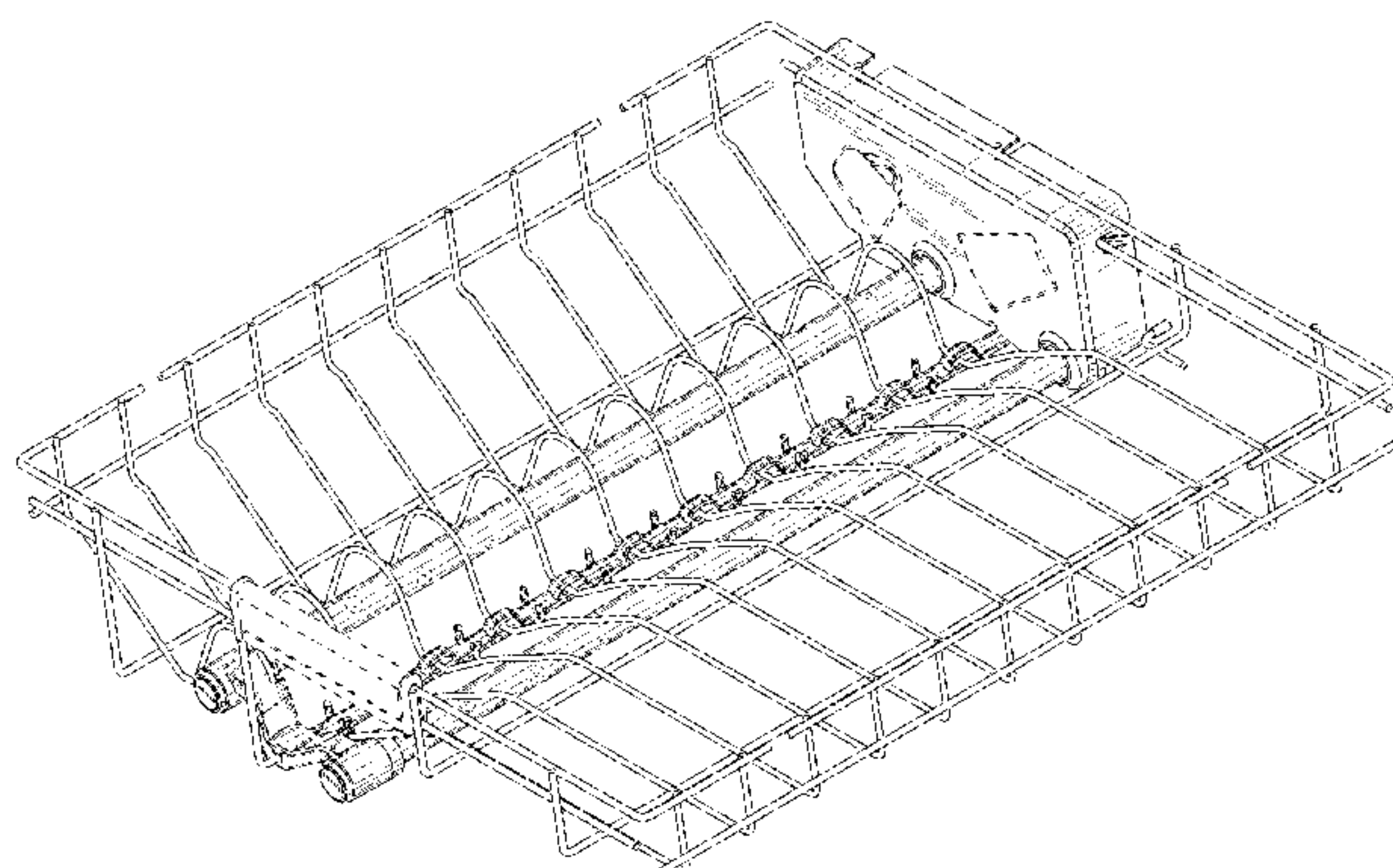


FIG. 17 is a front view thereof;  
 FIG. 18 is a rear view thereof;  
 FIG. 19 is a left side view thereof;  
 FIG. 20 is a right side view thereof;  
 FIG. 21 is a top view thereof;  
 FIG. 22 is a bottom view thereof;  
 FIG. 23 is a front perspective view of the wicking element only shown in a disassemble state from FIG. 1.  
 FIG. 24 is a bottom perspective view thereof;  
 FIG. 25 is a top view thereof;  
 FIG. 26 is a bottom view thereof;  
 FIG. 27 is a left side view thereof;  
 FIG. 28 is a right side view thereof;  
 FIG. 29 is a front view thereof; and,  
 FIG. 30 is a rear view thereof.  
 The broken lines showing portions of the dishwasher rack assembly form no part of the claimed design.

**1 Claim, 27 Drawing Sheets**

**Related U.S. Application Data**

continuation of application No. 15/927,377, filed on Mar. 21, 2018, now Pat. No. 10,716,449.

(58) **Field of Classification Search**

CPC ..... A47L 15/00; A47L 15/14; A47L 15/16;  
 A47L 15/18; A47L 15/0076; A47L  
 15/0092; A47L 15/24; A47L 15/50; A47L  
 15/506; A47L 15/4221; A47L 15/23;  
 A47L 15/04; A47L 15/507; A47L 19/04;  
 A47B 2210/04; A47B 88/40

See application file for complete search history.

(56) **References Cited**

U.S. PATENT DOCUMENTS

3,464,566	A	9/1969	Gilson	
4,339,051	A	7/1982	Crawford	
D383,879	S *	9/1997	Good	D32/3
D393,505	S *	4/1998	Good	D32/3
D398,092	S *	9/1998	Good	D32/3
7,032,604	B2	4/2006	Welch	

7,896,977	B2 *	3/2011	Gillum	A47L 15/14 134/57 D
8,408,403	B2 *	4/2013	Hedstrom	A47L 15/505 211/181.1
8,646,620	B2 *	2/2014	Klump	A47L 15/50 211/41.8
8,778,094	B2 *	7/2014	Blanchard	A47L 15/4219 134/144
8,801,863	B2 *	8/2014	Blanchard	A47L 15/4278 134/144
8,813,766	B2 *	8/2014	Bhajak	A47L 15/4246 134/135
8,820,544	B2 *	9/2014	Lindgren	A47L 15/505 211/41.8
8,915,560	B2 *	12/2014	Cox	A47L 15/507 312/228
9,113,773	B2 *	8/2015	Bartloff	A47F 5/01
9,579,009	B2 *	2/2017	Bhajak	A47L 15/504
9,596,975	B2 *	3/2017	Bhajak	A47L 15/4246
9,629,516	B2 *	4/2017	Chen	A47L 15/507
10,716,449	B2 *	7/2020	Balinski	A47L 15/22
10,888,212	B2 *	1/2021	Feddema	A47L 15/48
10,952,589	B2 *	3/2021	Brightbill	A47L 15/4221
11,006,813	B2 *	5/2021	Naik	A47L 15/50
11,219,350	B2 *	1/2022	Fawaz	A47L 15/507
2015/0245762	A1	9/2015	Tuller	
2017/0135547	A1	5/2017	Tuller	
2021/0298561	A1 *	9/2021	Feddema	A47L 15/46

FOREIGN PATENT DOCUMENTS

EP	1138249	A2	10/2001
EP	2594186	B1	1/2014
EP	2815690	A1	12/2014
EP	2912983	A2	9/2015
GB	2058852	*	1/1997
KR	301079101.0000	*	10/2020
KR	301079752.0000	*	10/2020
KR	301079754.0000	*	10/2020
KR	301130470.0000	*	10/2021

OTHER PUBLICATIONS

Part GEHWD28X10210, available in <https://www.appliancefactoryparts.com> customer review oldest date Dec. 27, 2014 [online], [site visited Apr. 5, 2022], Available from the internet URL: <https://www.appliancefactoryparts.com/search/part/1109159/> (Year: 2014).\*

\* cited by examiner



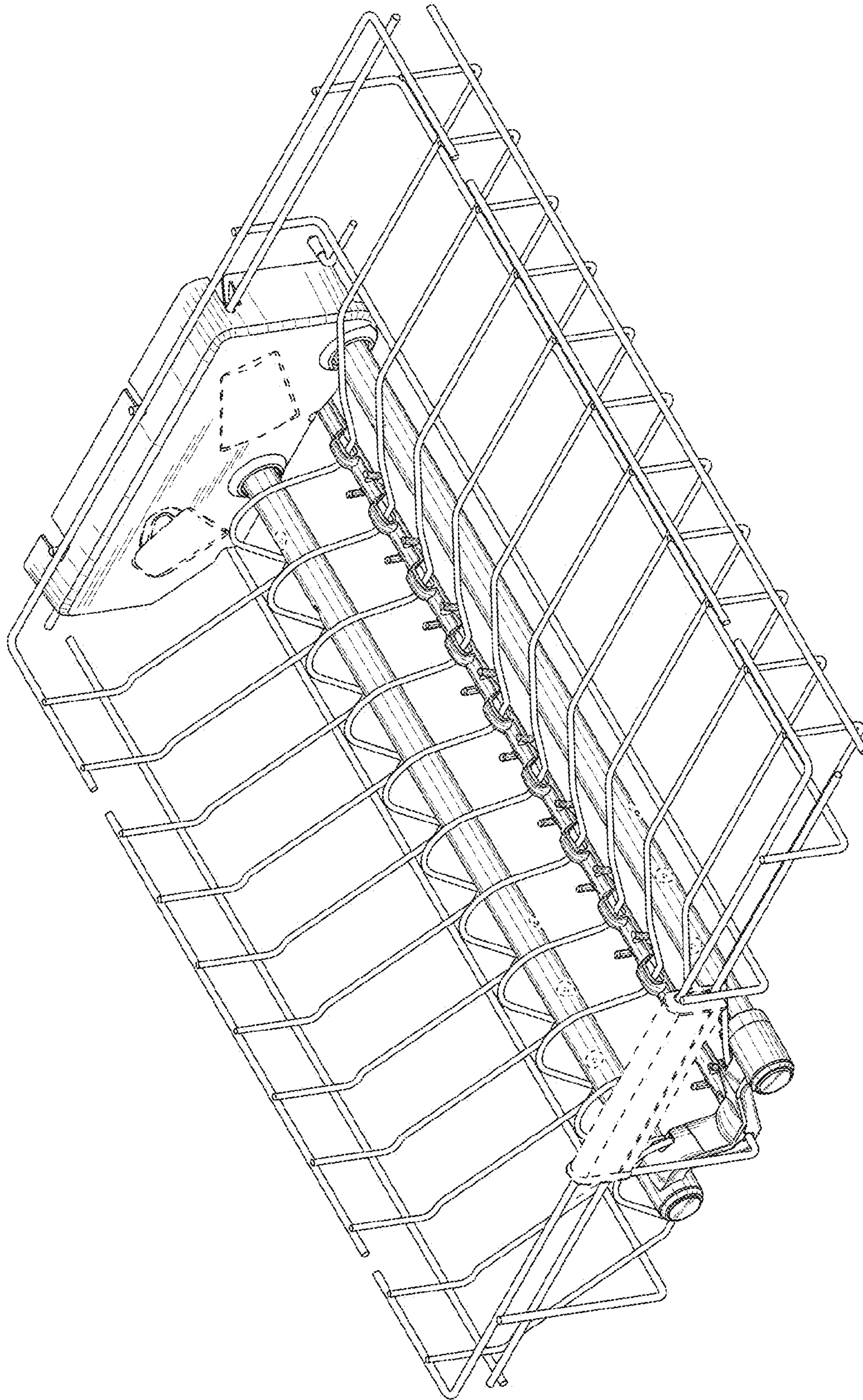


FIG. 1



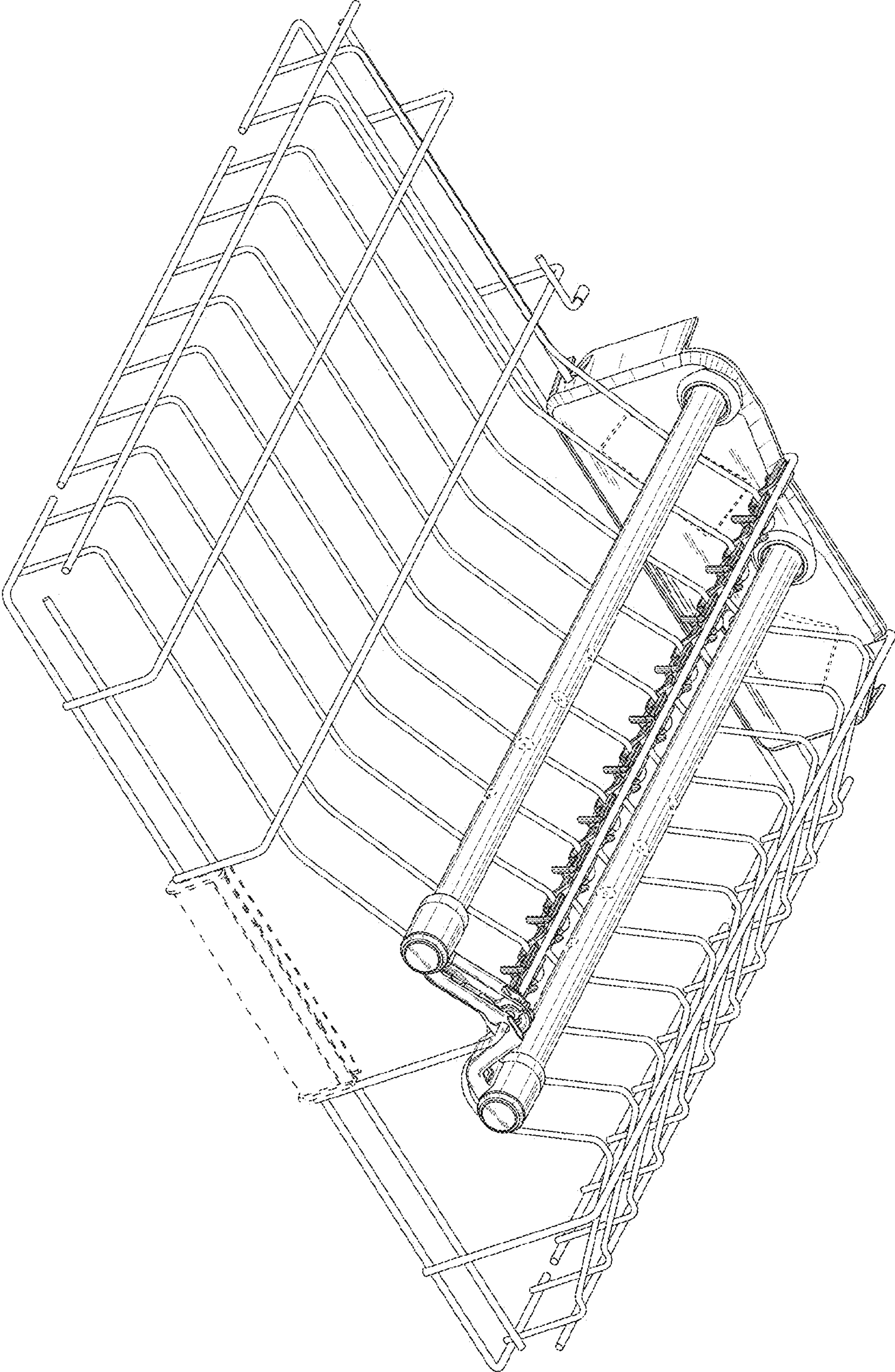


FIG. 2

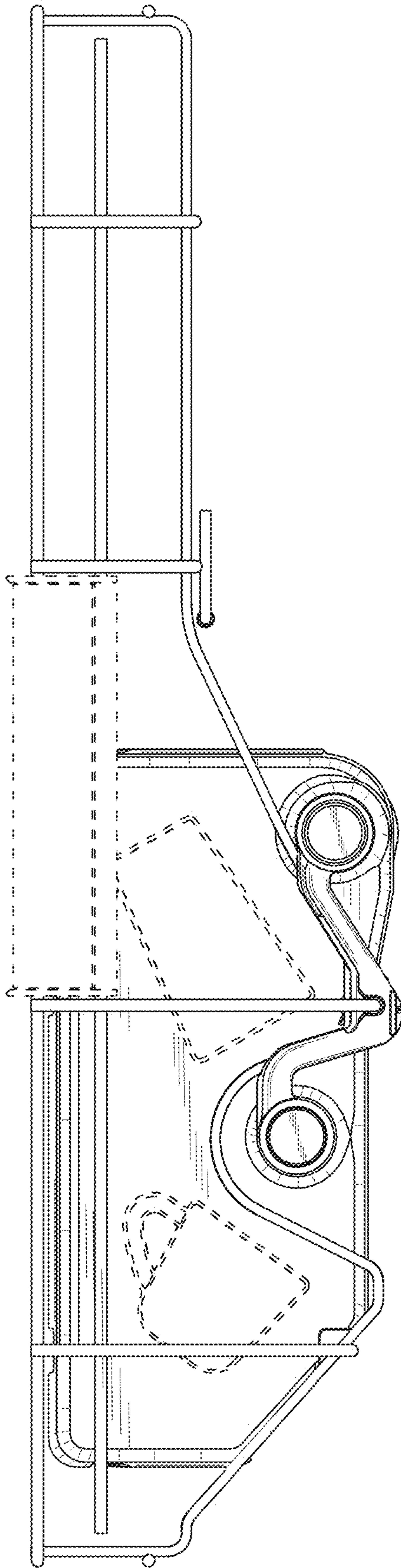


FIG. 3

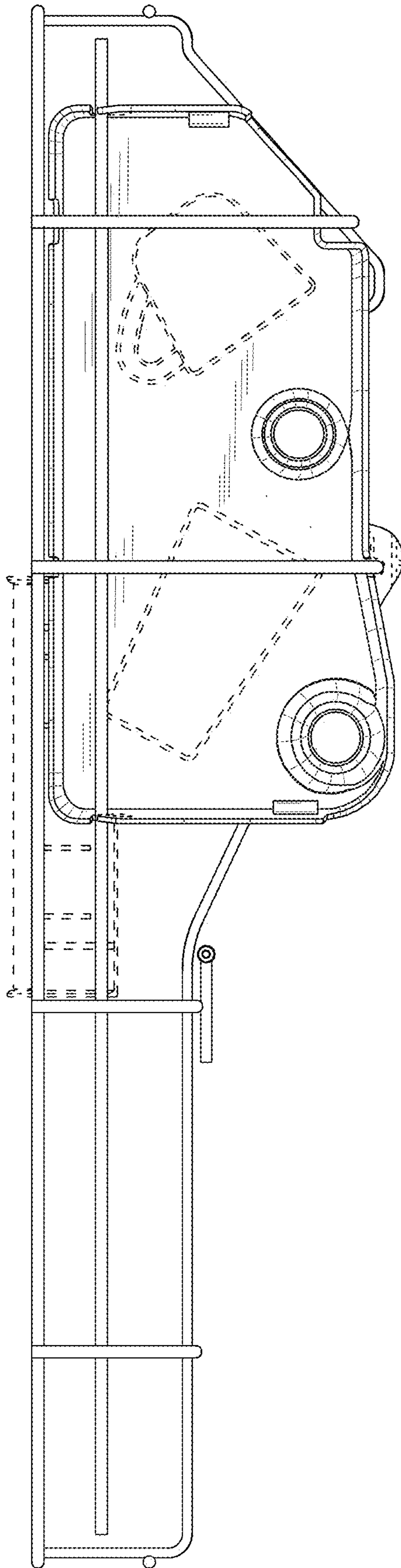


FIG. 4



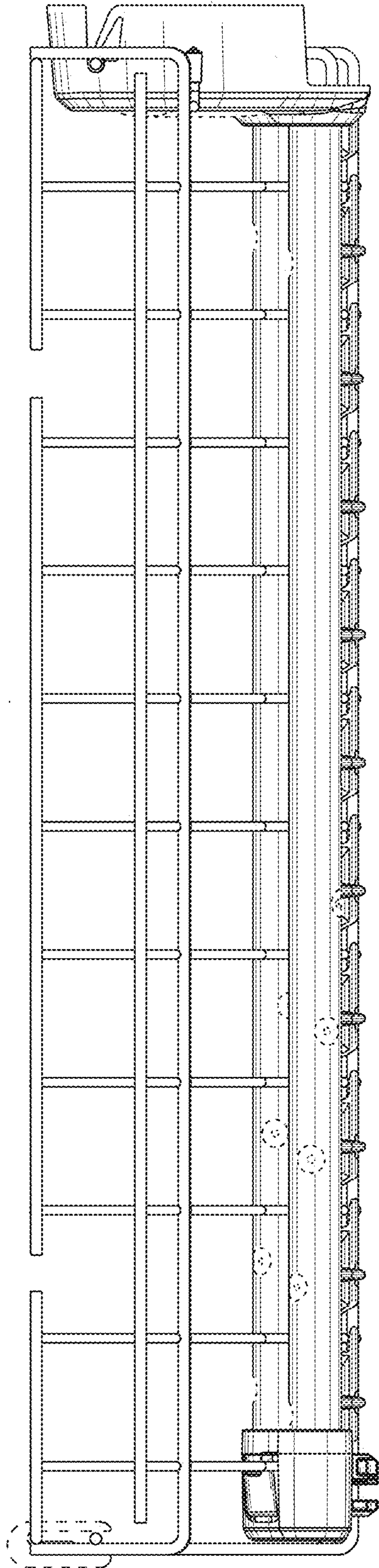


FIG. 5

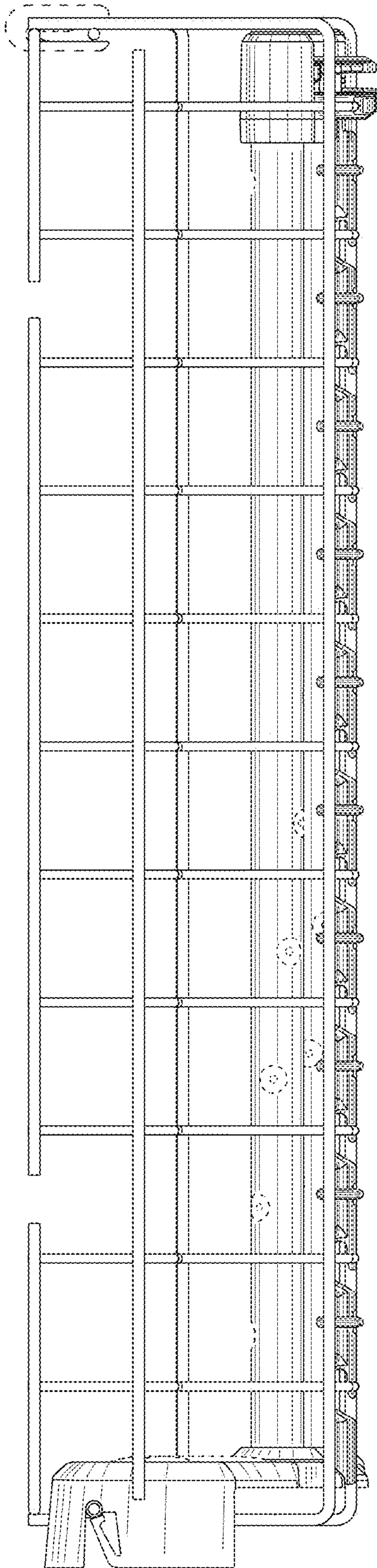


FIG. 6



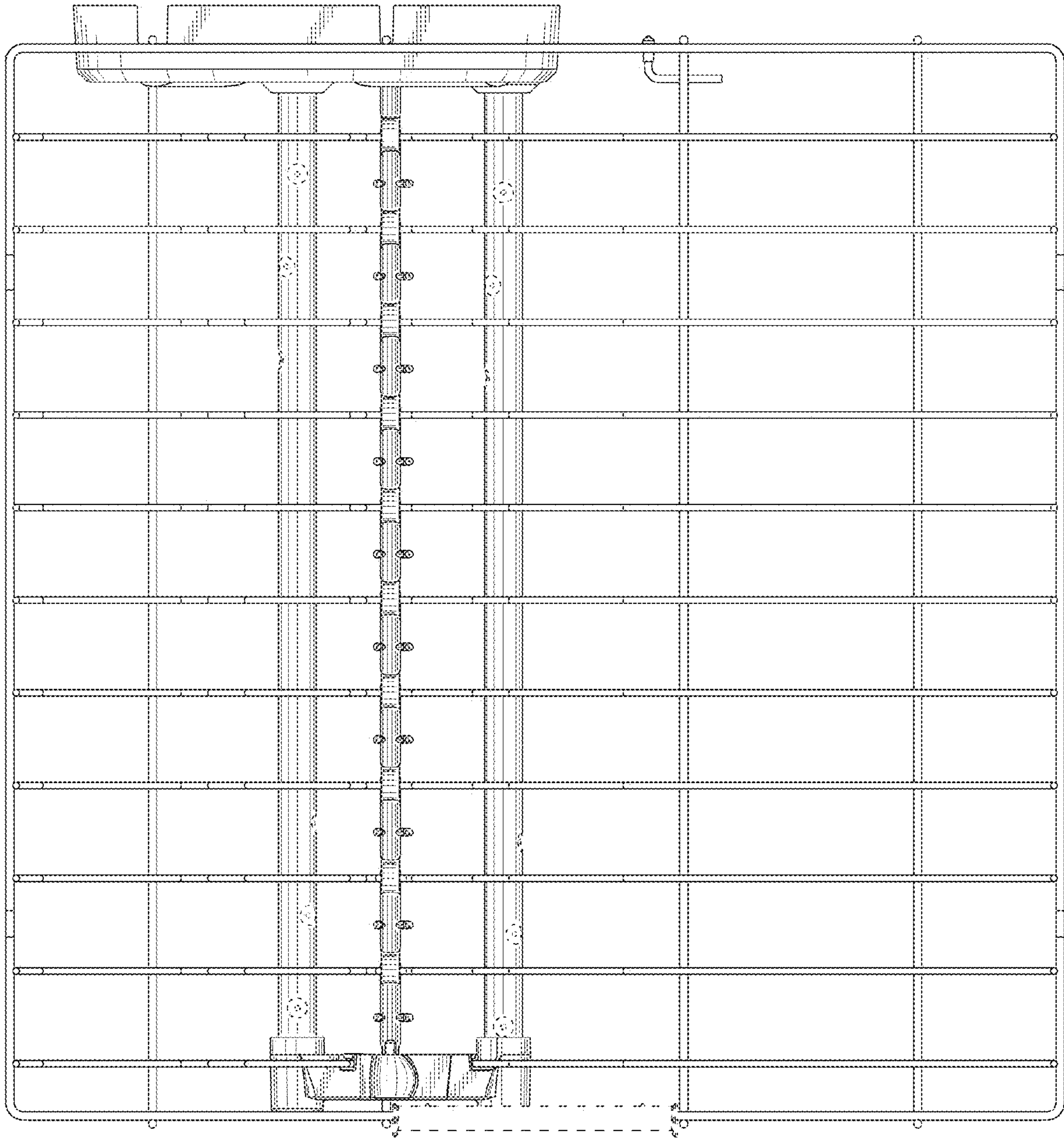


FIG. 7

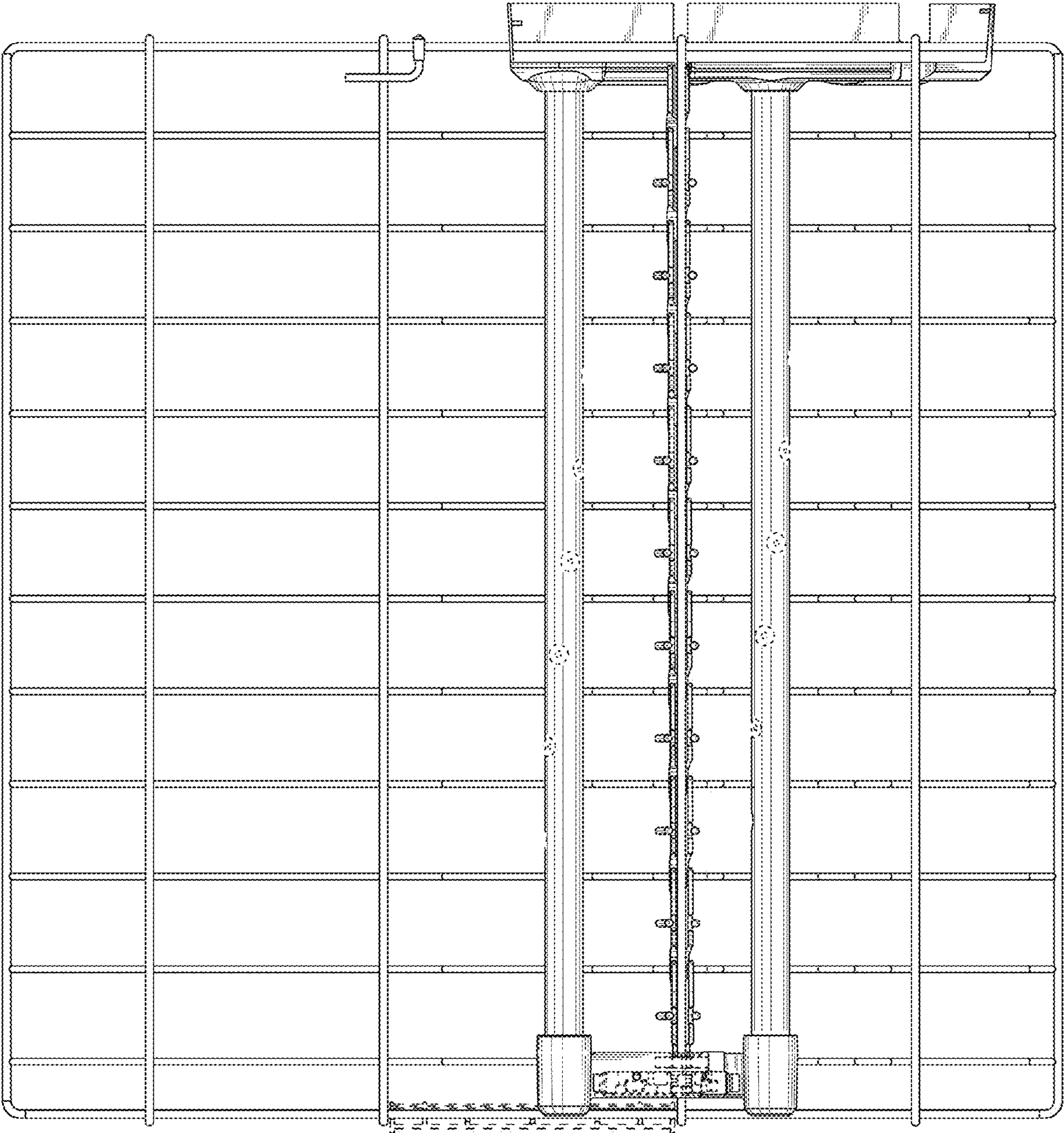


FIG. 8



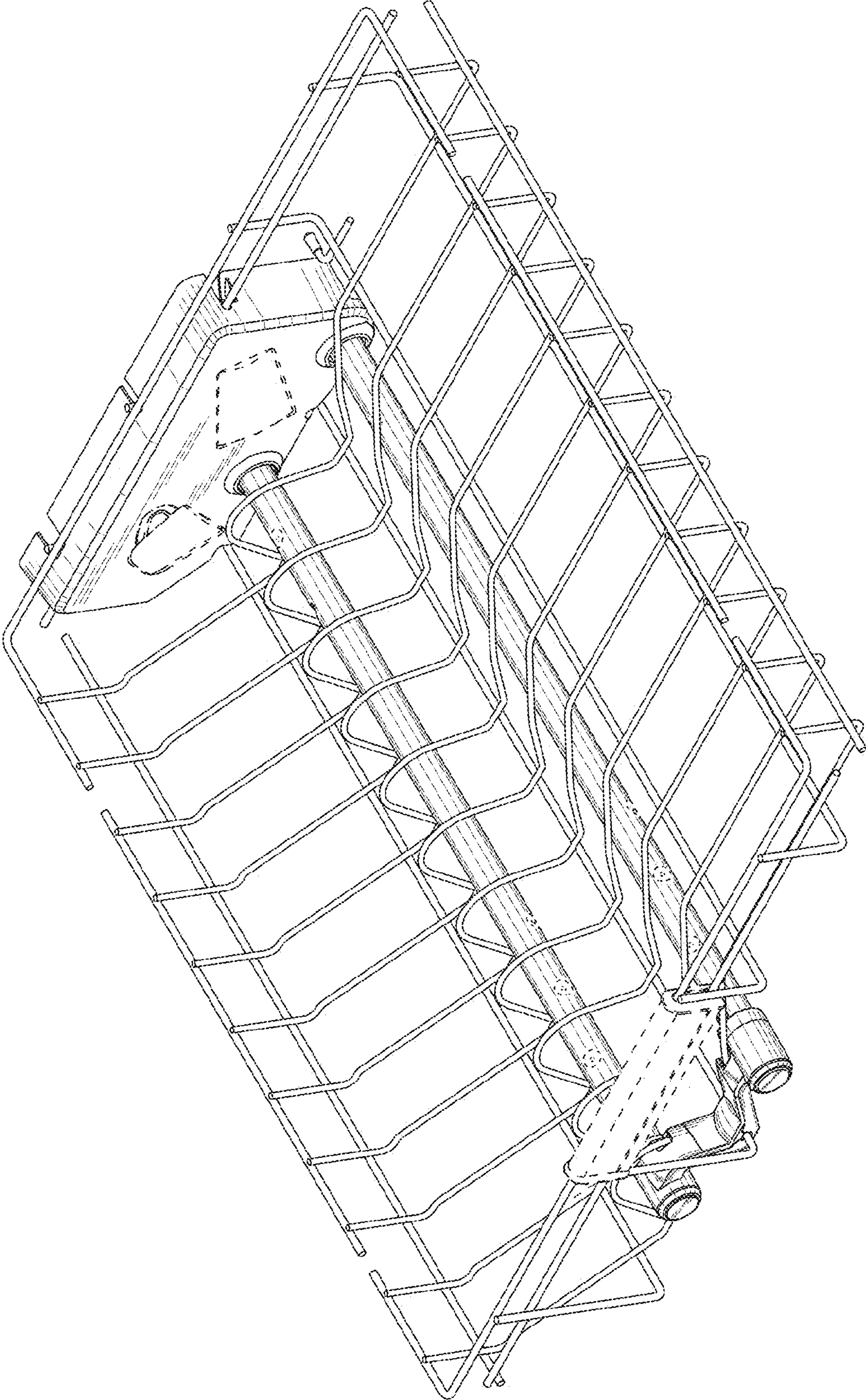


FIG. 9

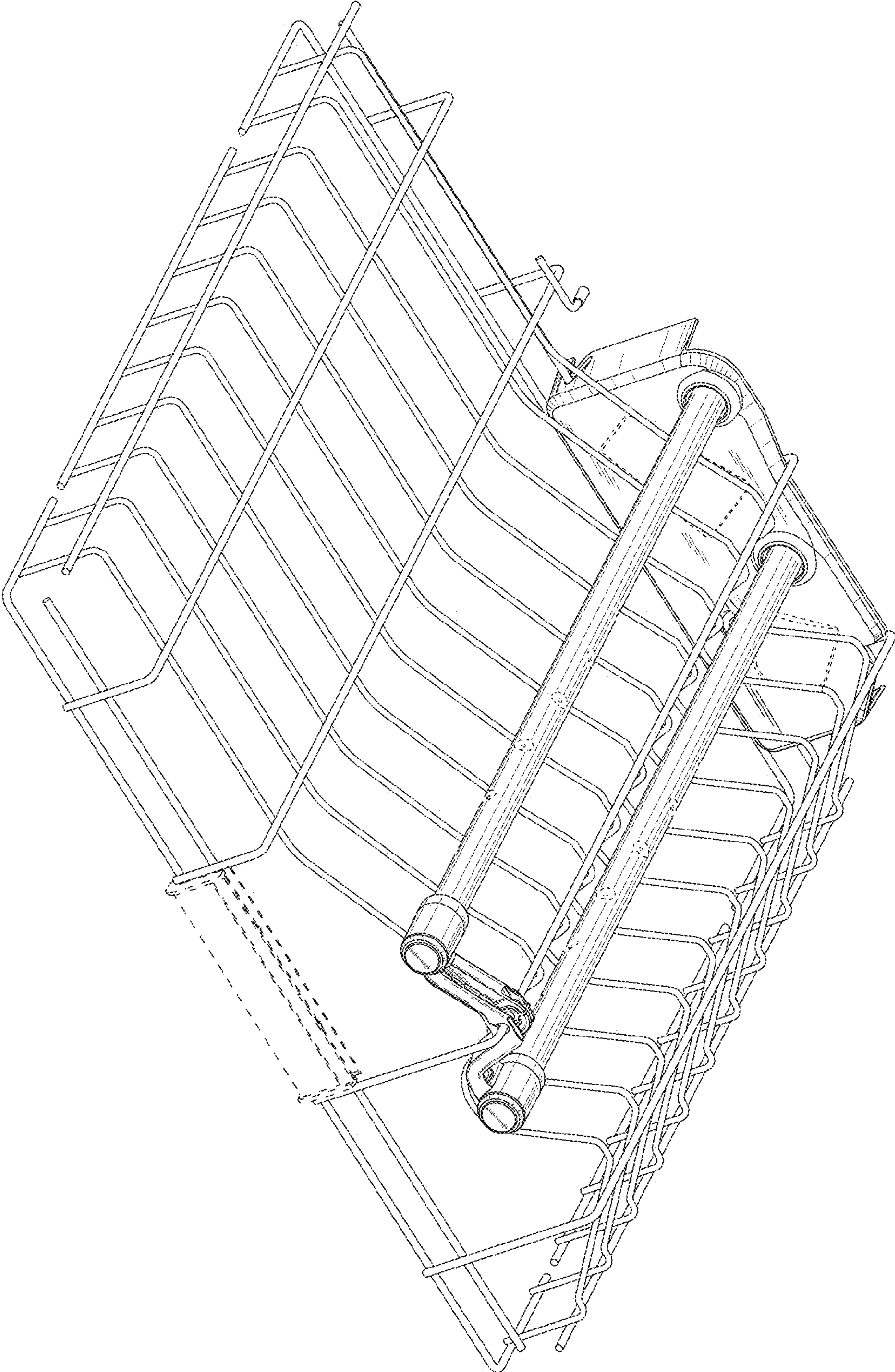


FIG. 10



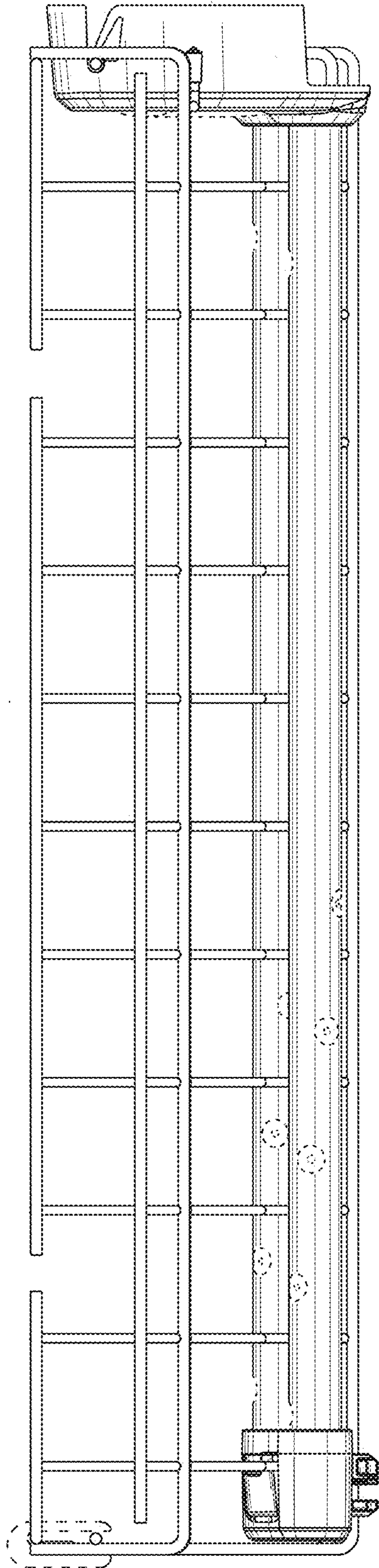


FIG. 11

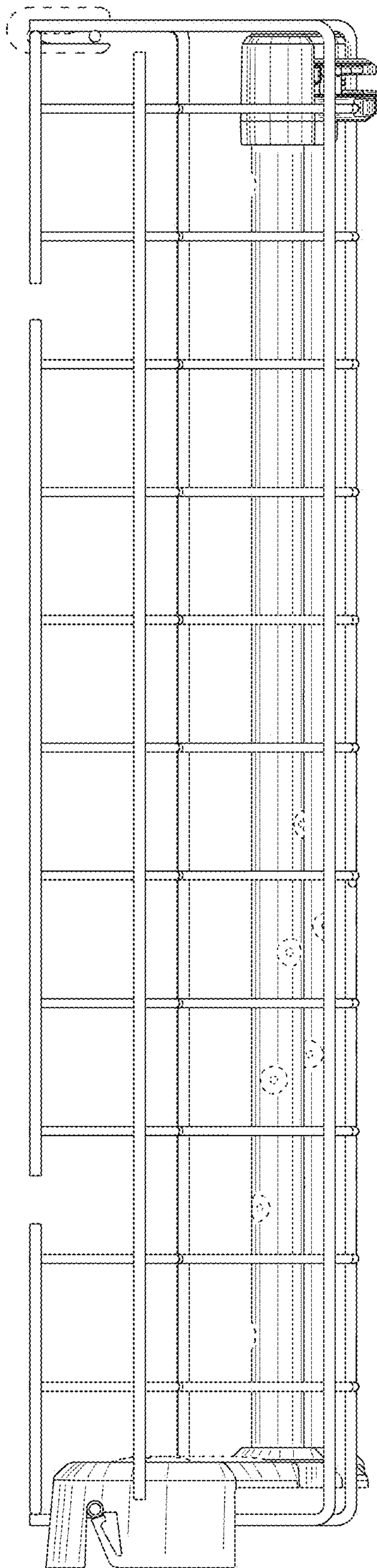


FIG. 12



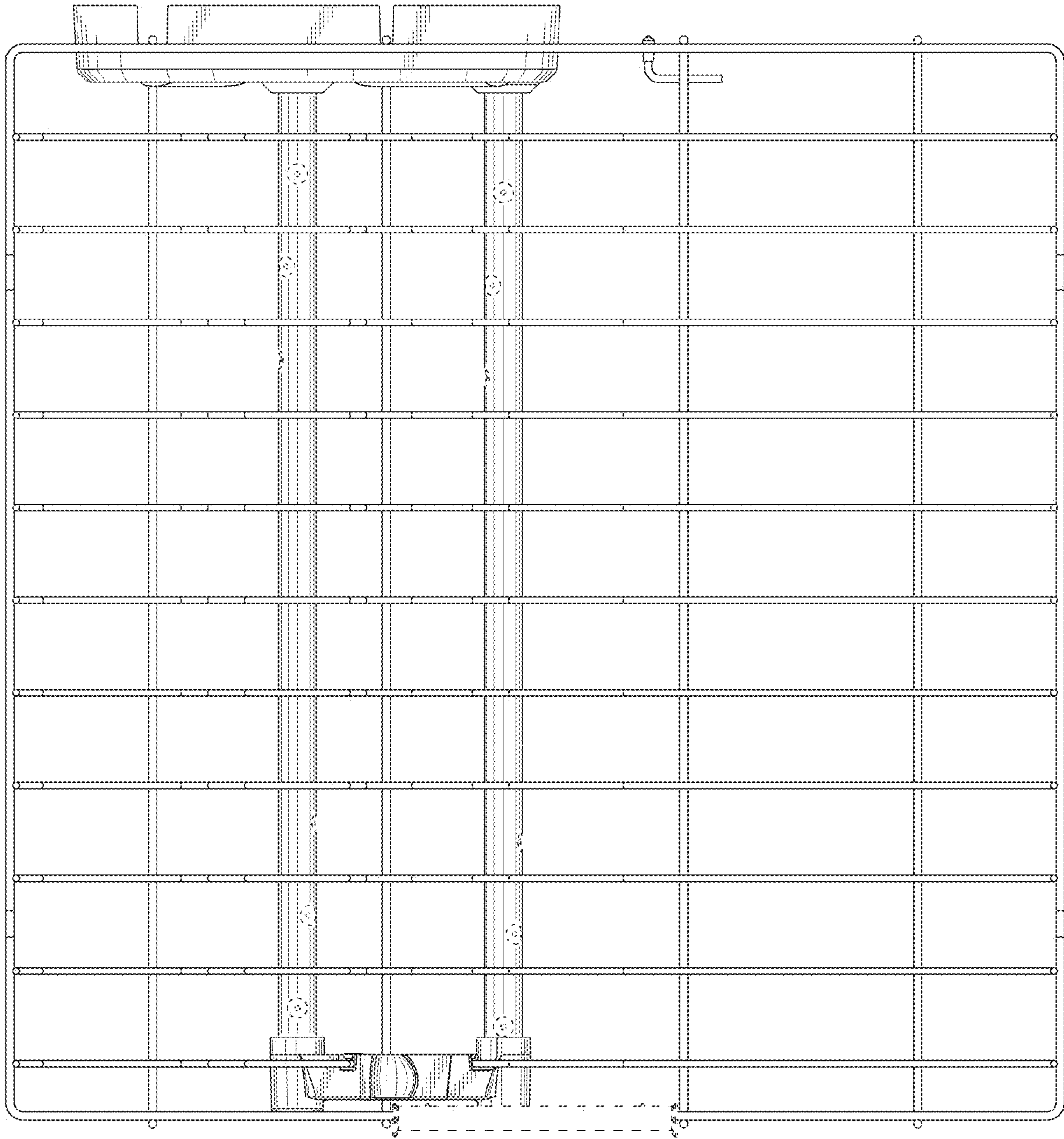


FIG. 13

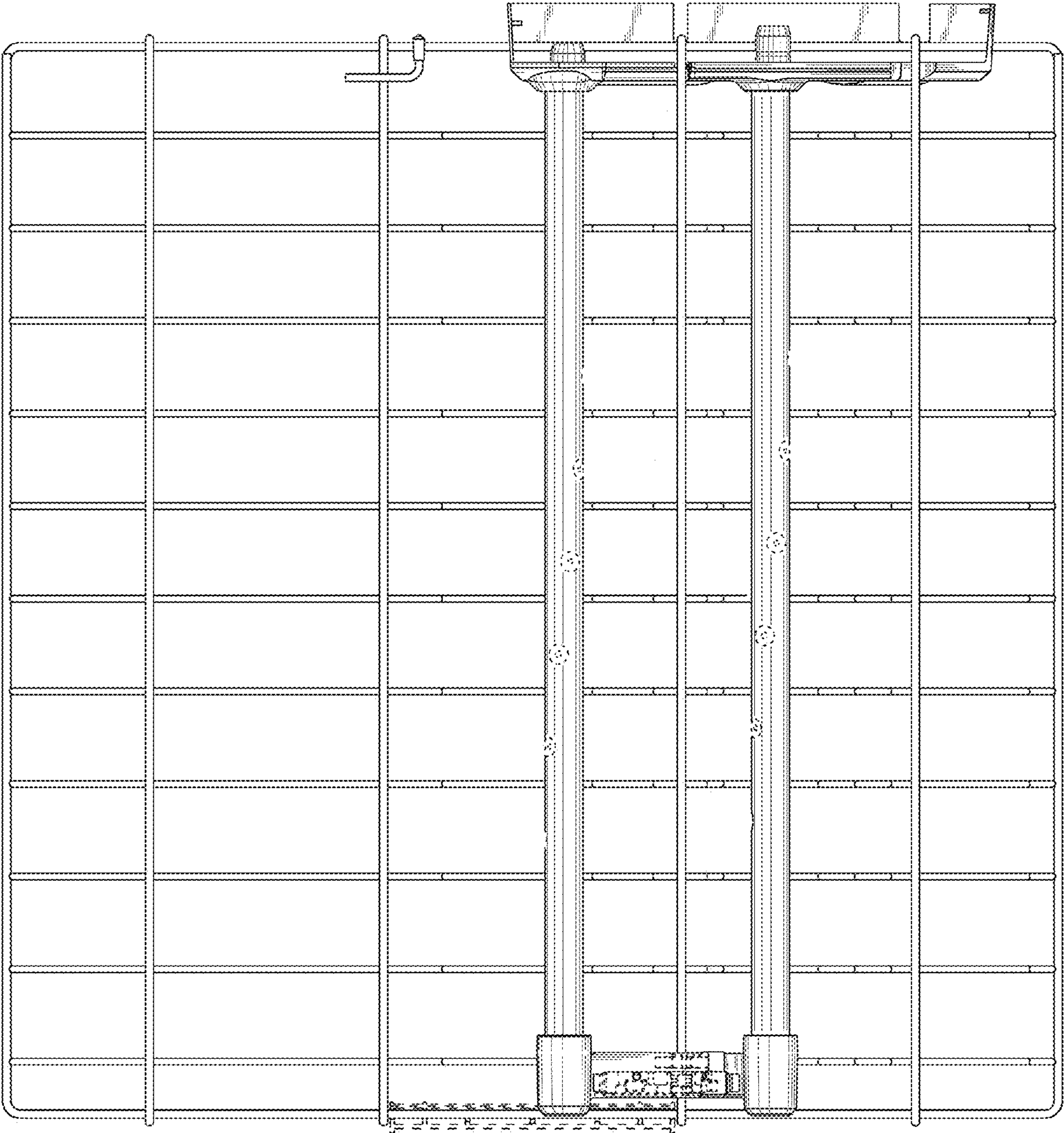


FIG. 14



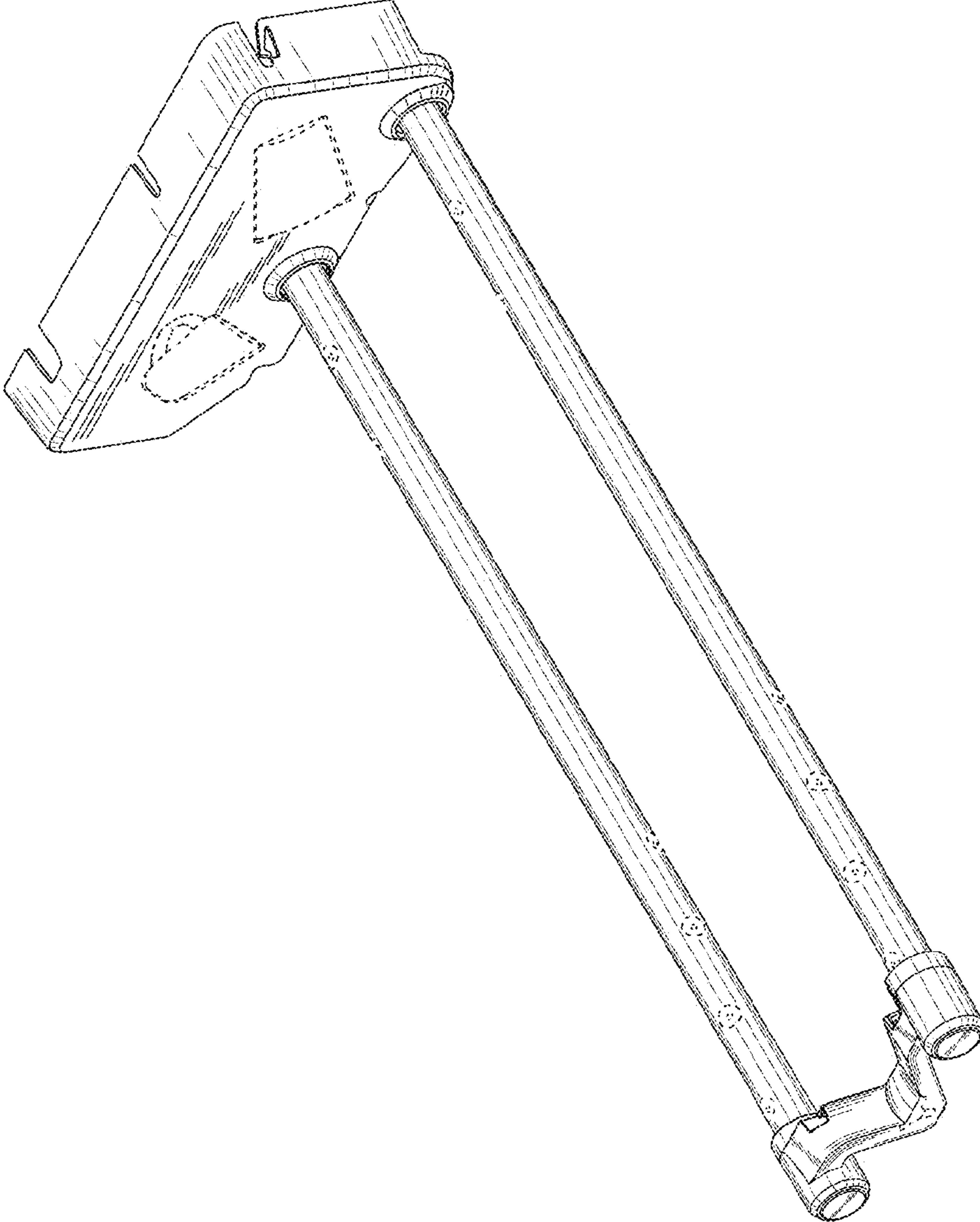


FIG. 15

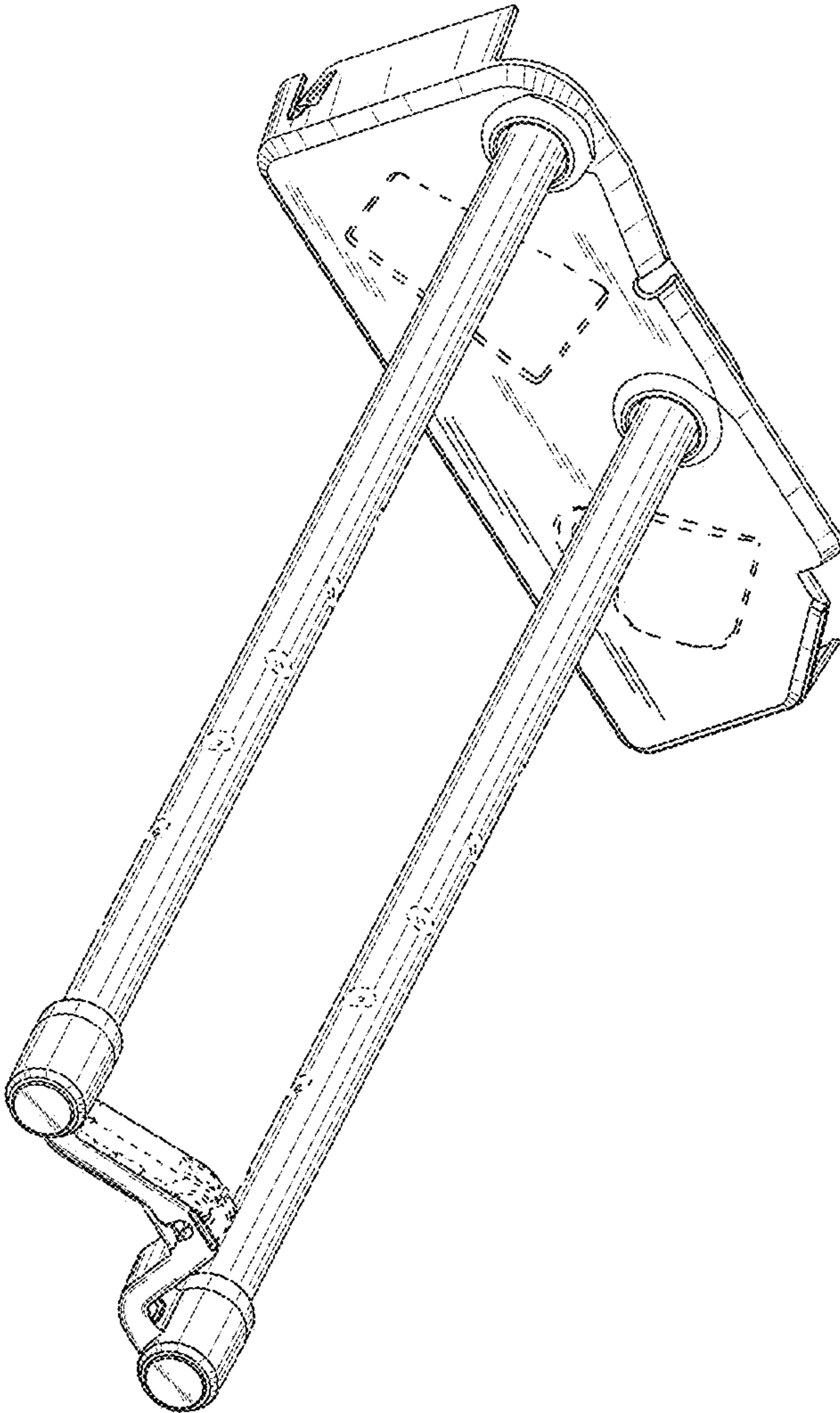


FIG. 16

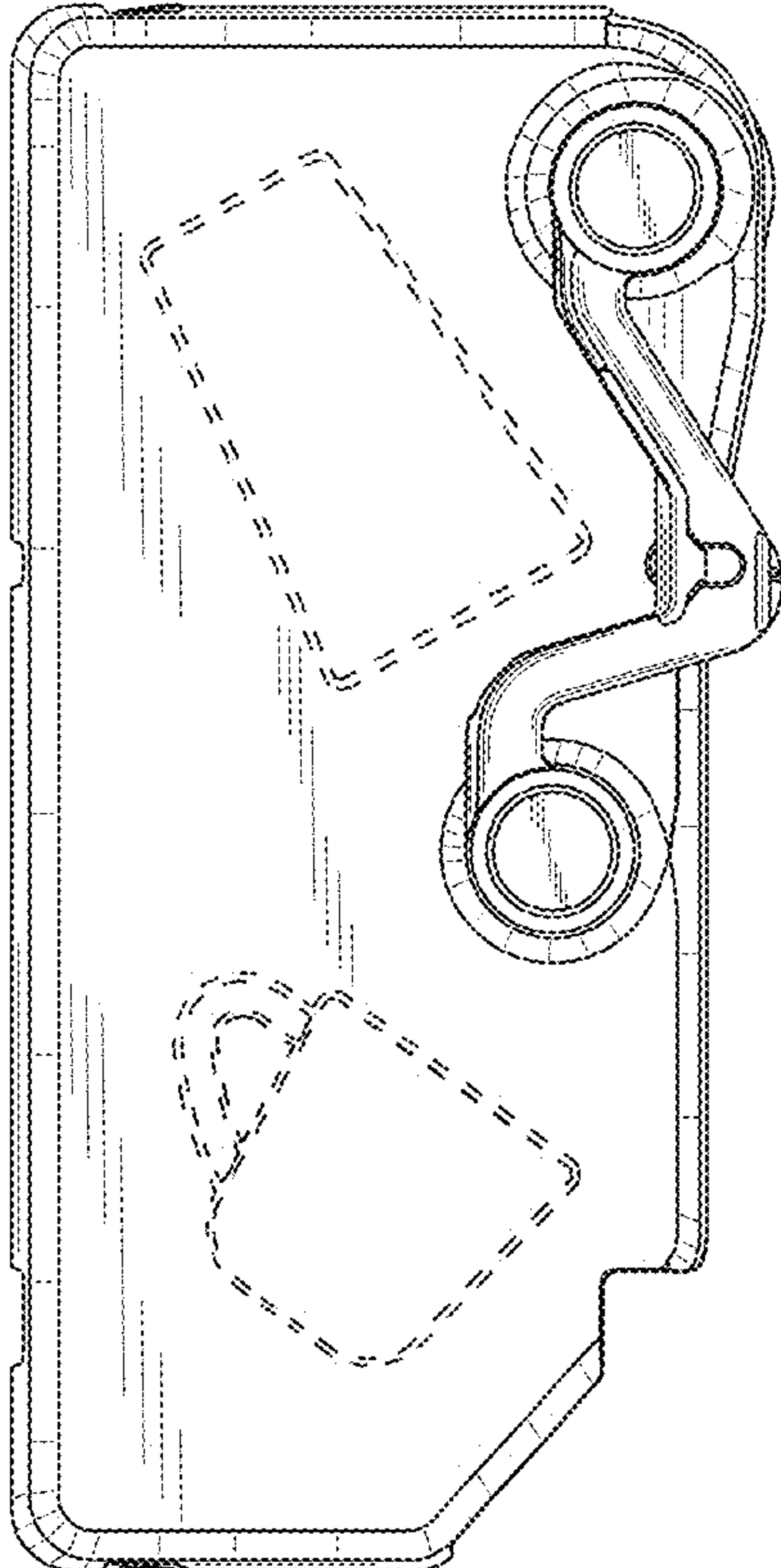


FIG. 17



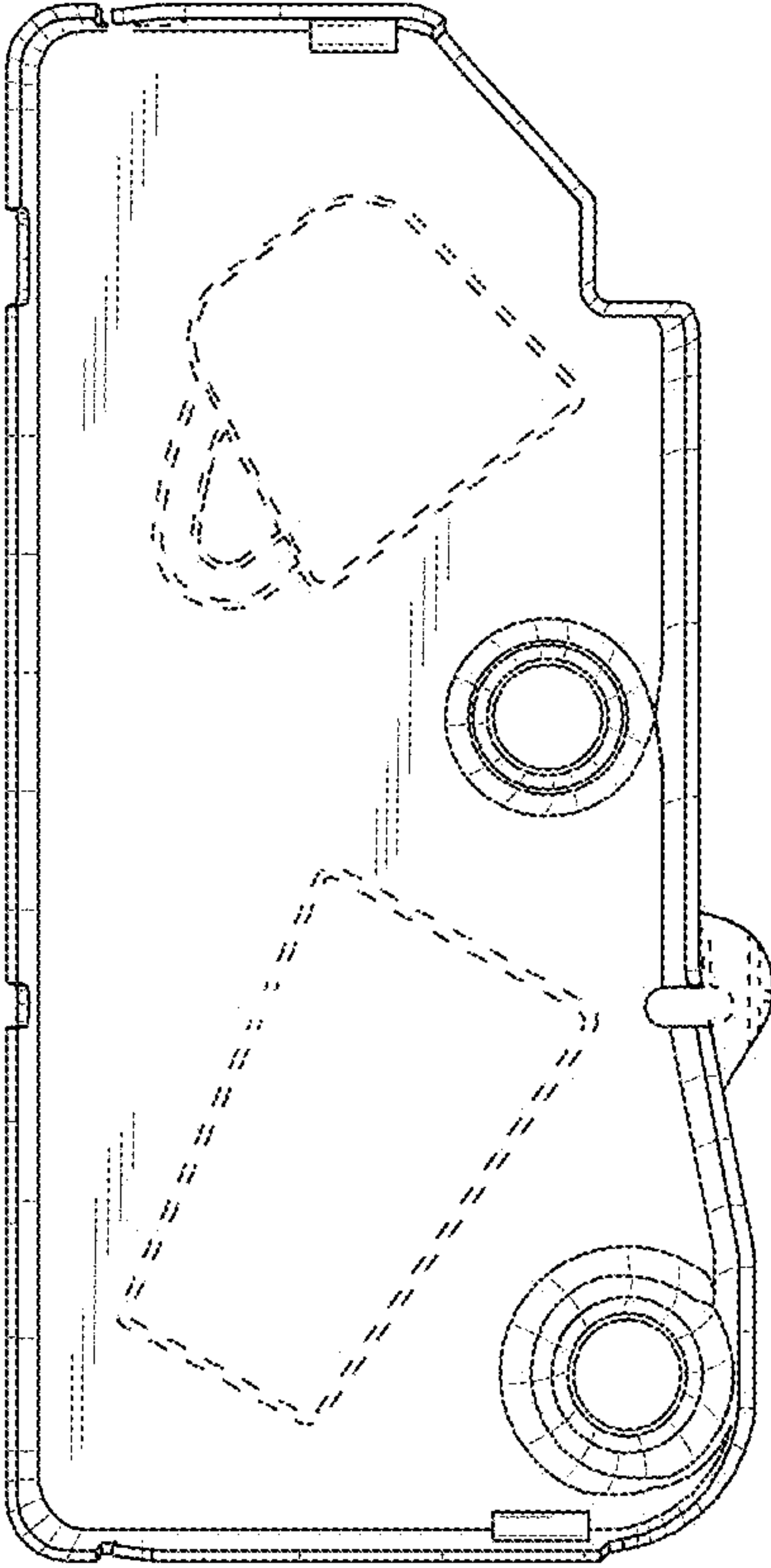


FIG. 18

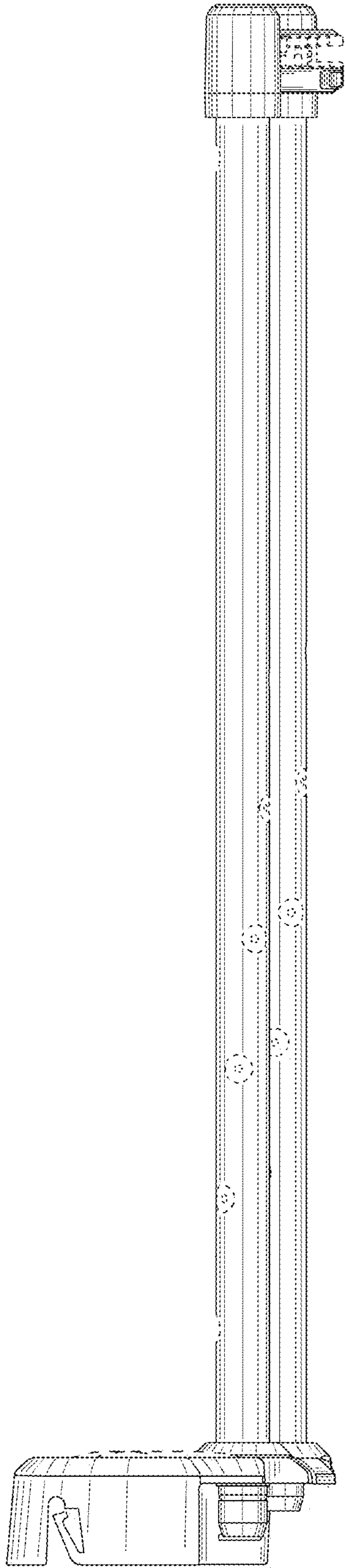


FIG. 19

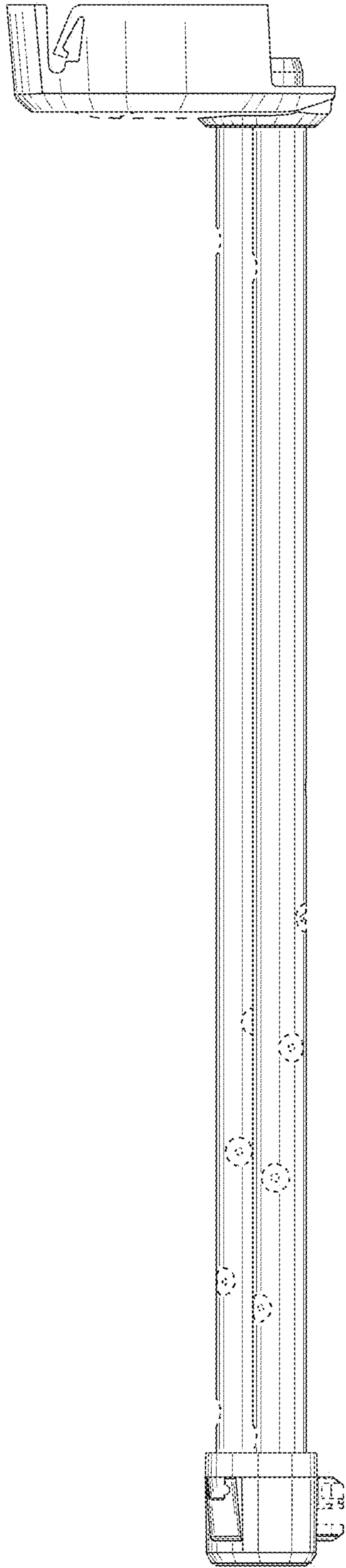


FIG. 20



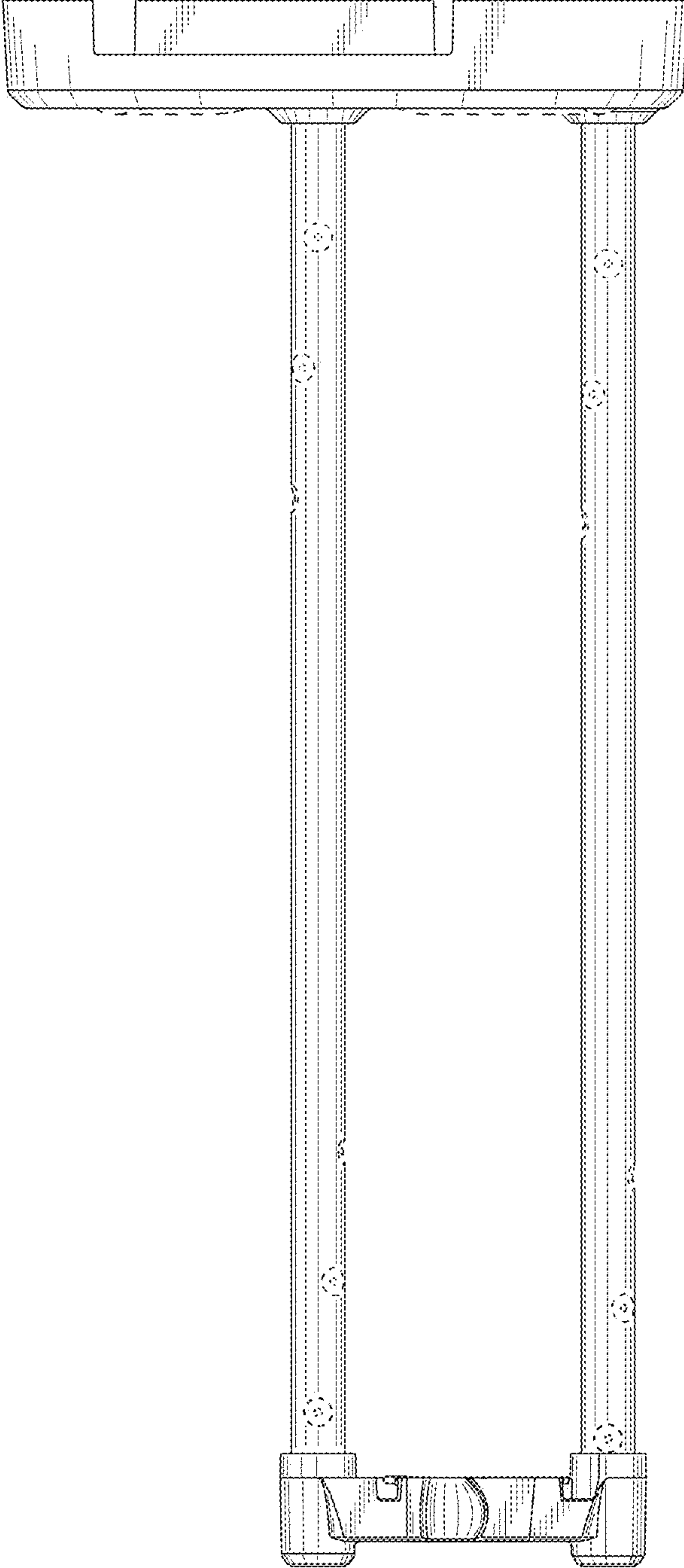


FIG. 21

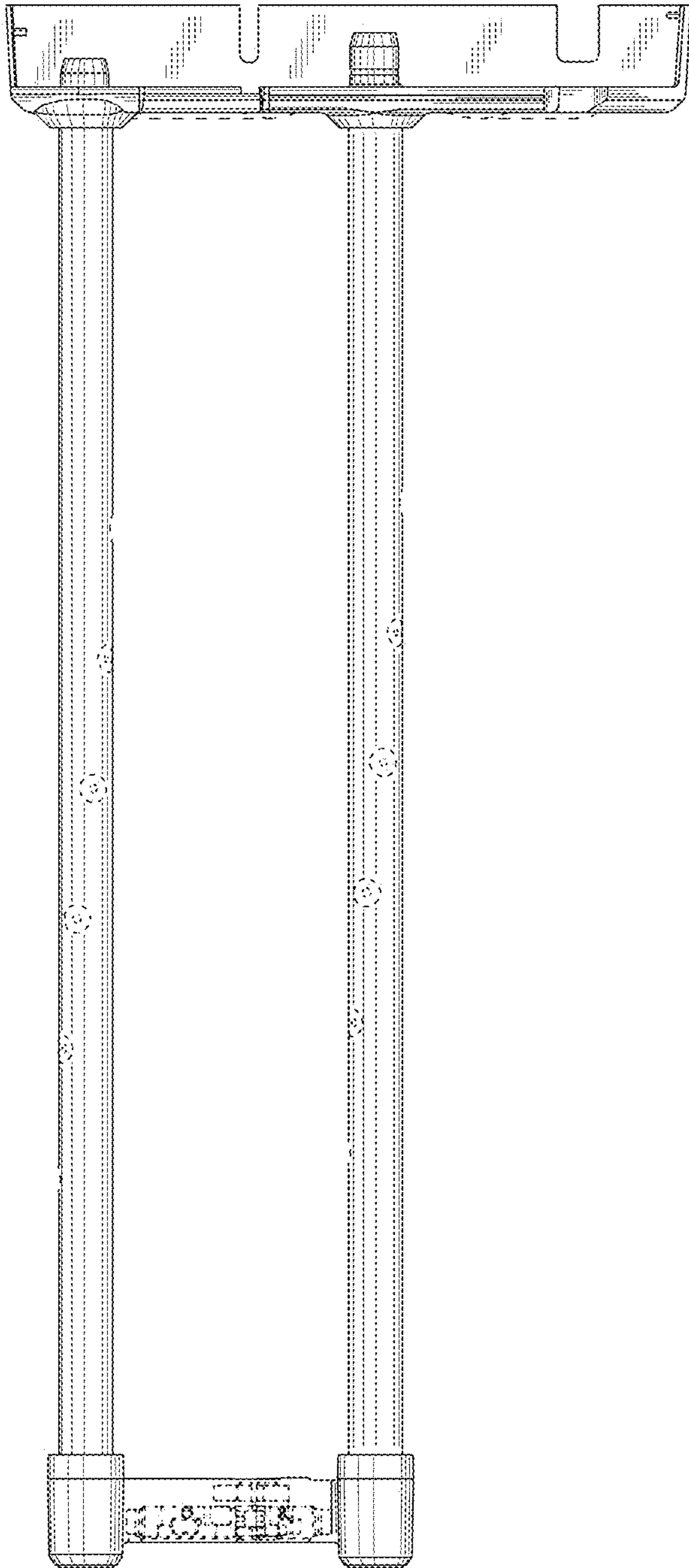


FIG. 22

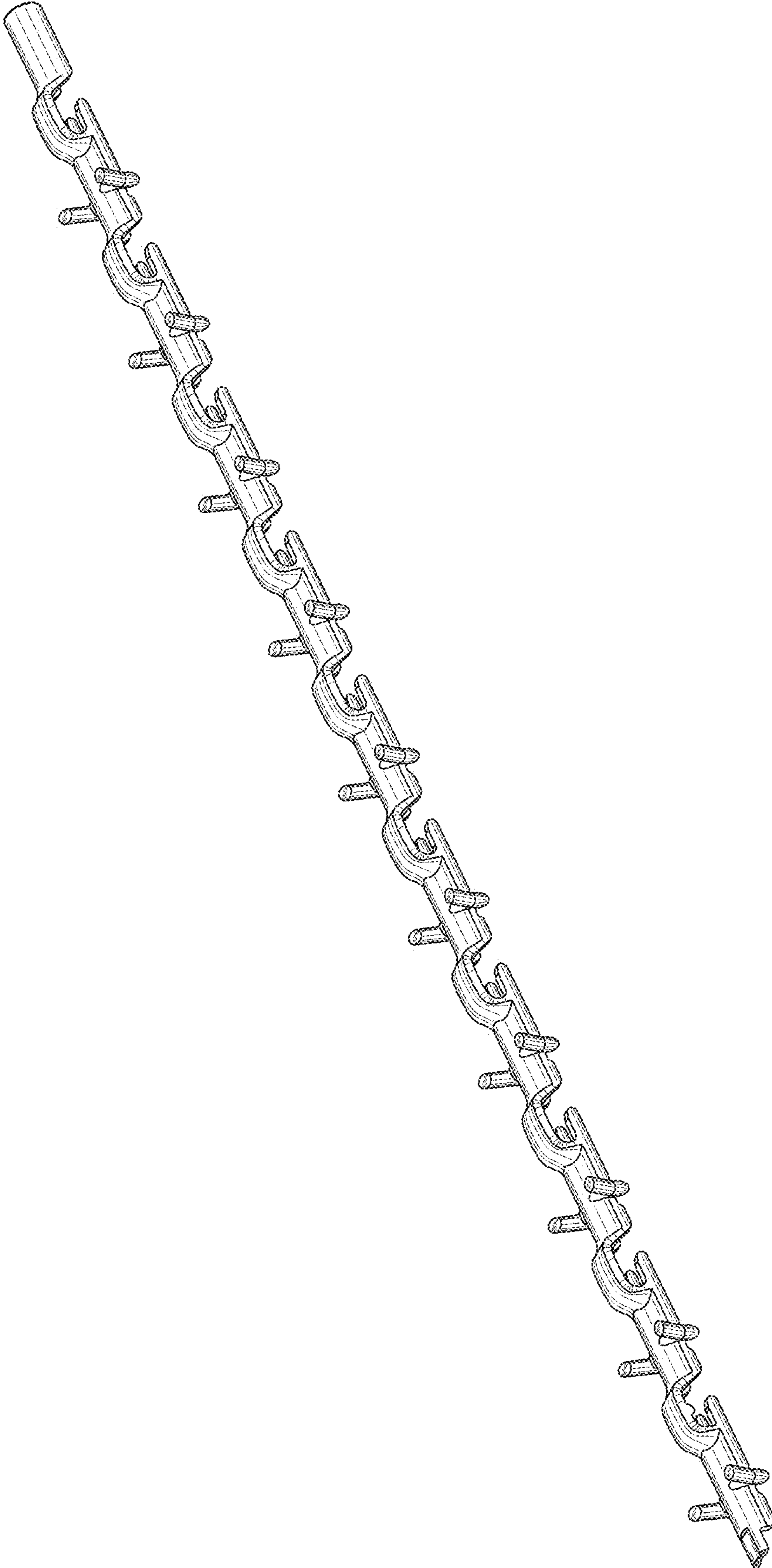


FIG. 23



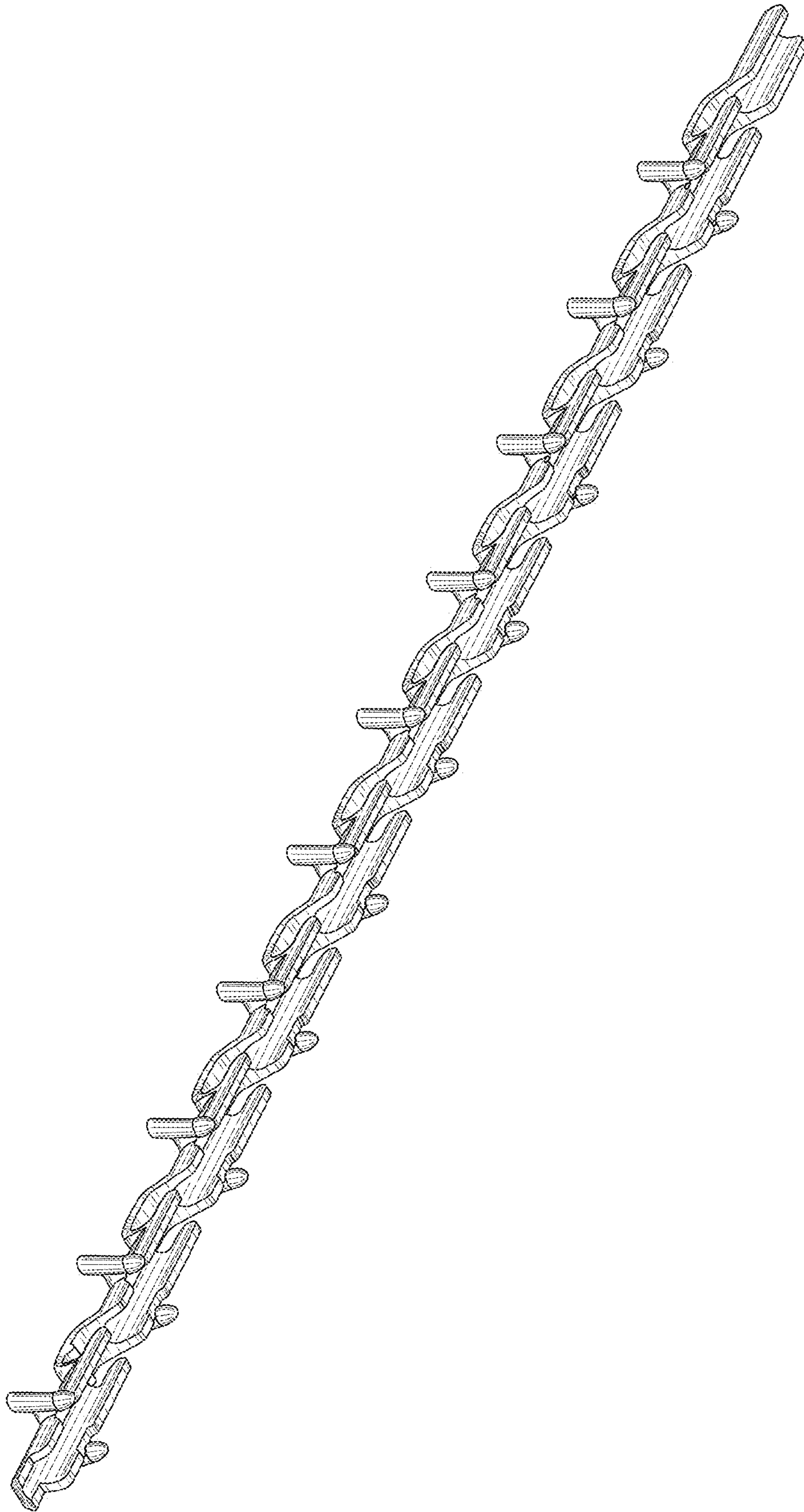


FIG. 24

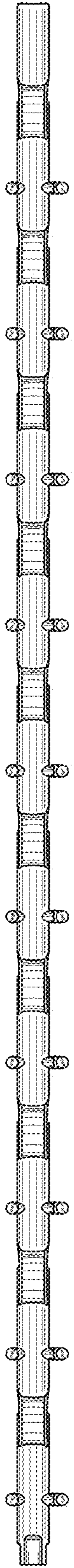


FIG. 25

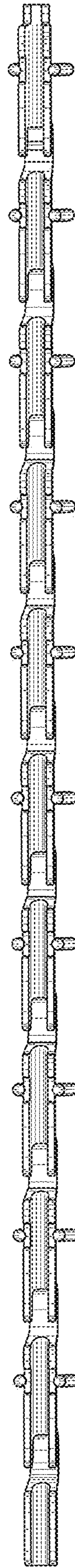
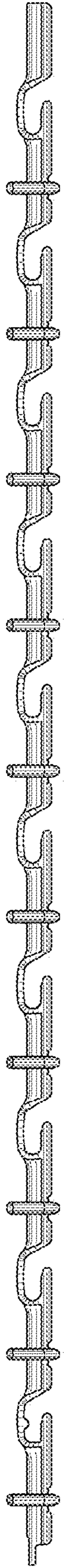
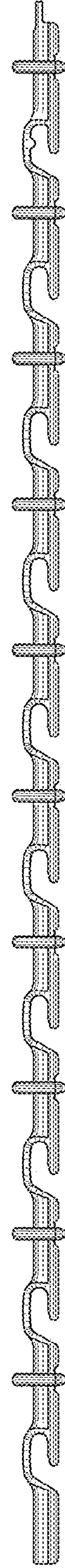


FIG. 26

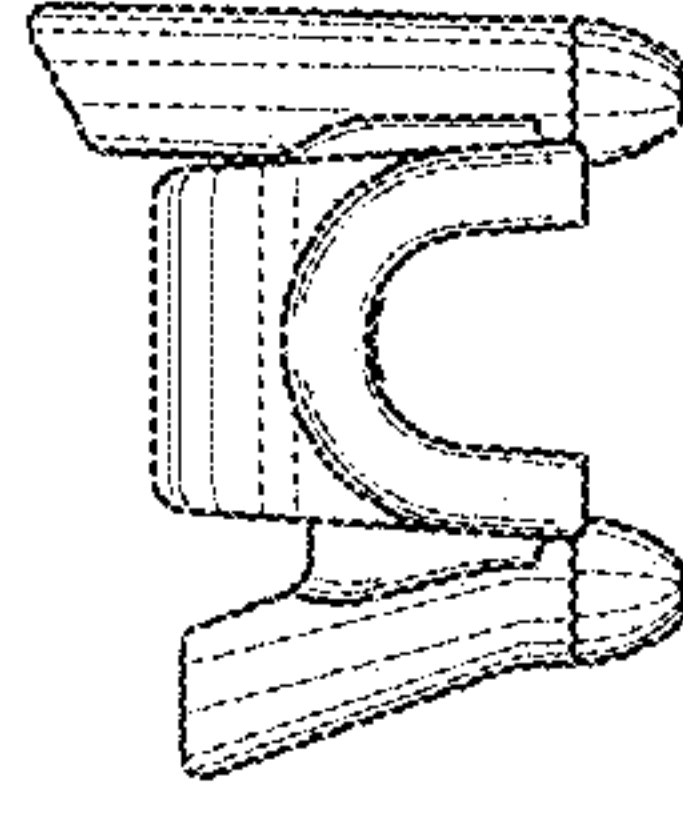




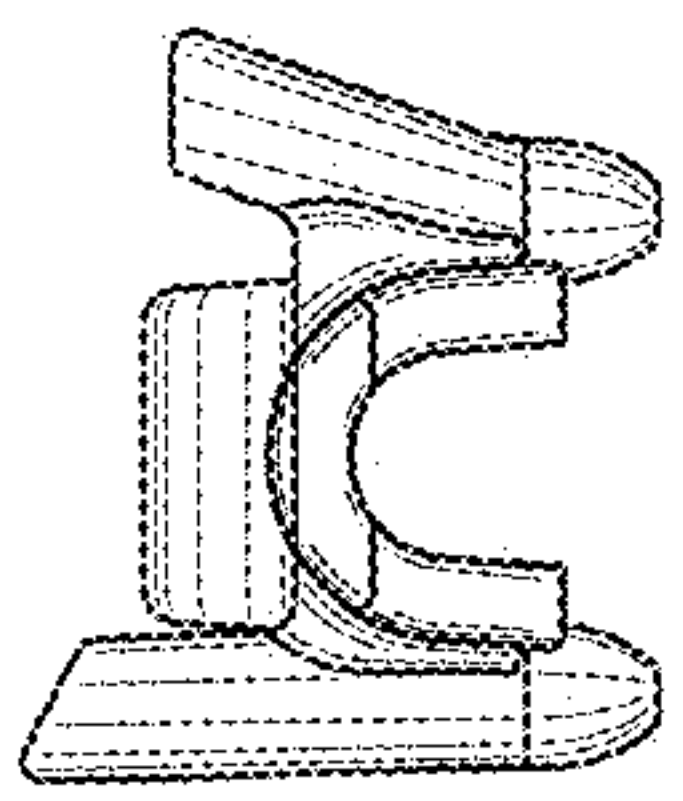
**FIG. 27**



**FIG. 28**



**FIG. 29**



**FIG. 30**