



US00D960459S

(12) **United States Design Patent**
Jenkins et al.

(10) **Patent No.:** **US D960,459 S**

(45) **Date of Patent:** **** Aug. 9, 2022**

(54) **HEARING PROTECTION DEVICE**

2,883,671 A * 4/1959 Hornickel A61F 11/14
D29/112

(71) Applicant: **Honeywell International Inc.,**
Charlotte, NC (US)

2,981,958 A 5/1961 Wadsworth et al.
3,051,961 A * 9/1962 Clark A61F 11/14
181/129

(72) Inventors: **John Jenkins**, San Diego, CA (US);
Scott Hutt, San Diego, CA (US); **Wei Sun**,
Shanghai (CN); **Yongjun Chen**, Shanghai (CN);
Lei Jiang, Shanghai (CN)

(Continued)

FOREIGN PATENT DOCUMENTS

CN 105662708 A 6/2016
CN 106375896 A 2/2017

(Continued)

(73) Assignee: **HONEYWELL INTERNATIONAL INC.,**
Charlotte, NC (US)

OTHER PUBLICATIONS

(**) Term: **15 Years**

26 Max NRR, Hard Hat Cap Mounted Non-Conductive Earmuffs, <https://www.msdirect.com/browse/tnpla/46721411>, 2022. (Year: 2022).*

(21) Appl. No.: **29/816,393**

(Continued)

(22) Filed: **Nov. 22, 2021**

Related U.S. Application Data

Primary Examiner — Elizabeth J Oswecki

(74) *Attorney, Agent, or Firm* — Alston & Bird LLP

(62) Division of application No. 29/680,788, filed on Feb. 20, 2019, now Pat. No. Des. 939,779.

(51) **LOC (13) Cl.** **29-02**

(57) **CLAIM**

(52) **U.S. Cl.**
USPC **D29/108**; D14/205

The ornamental design for a hearing protection device, as shown and described.

(58) **Field of Classification Search**

DESCRIPTION

USPC D29/100, 102, 105, 106, 108, 112, 122;
D14/205, 206, 223

CPC A42B 3/16; A42B 3/163; A42B 3/166;
A61F 11/06; A61F 11/08; A61F 11/10;
A61F 11/12; A61F 11/14; A61F
2011/085; H04R 1/10; H04R 1/1008;
H04R 1/1016; H04R 25/652; H04R
25/654; H04R 25/656; H04R 5/0335

See application file for complete search history.

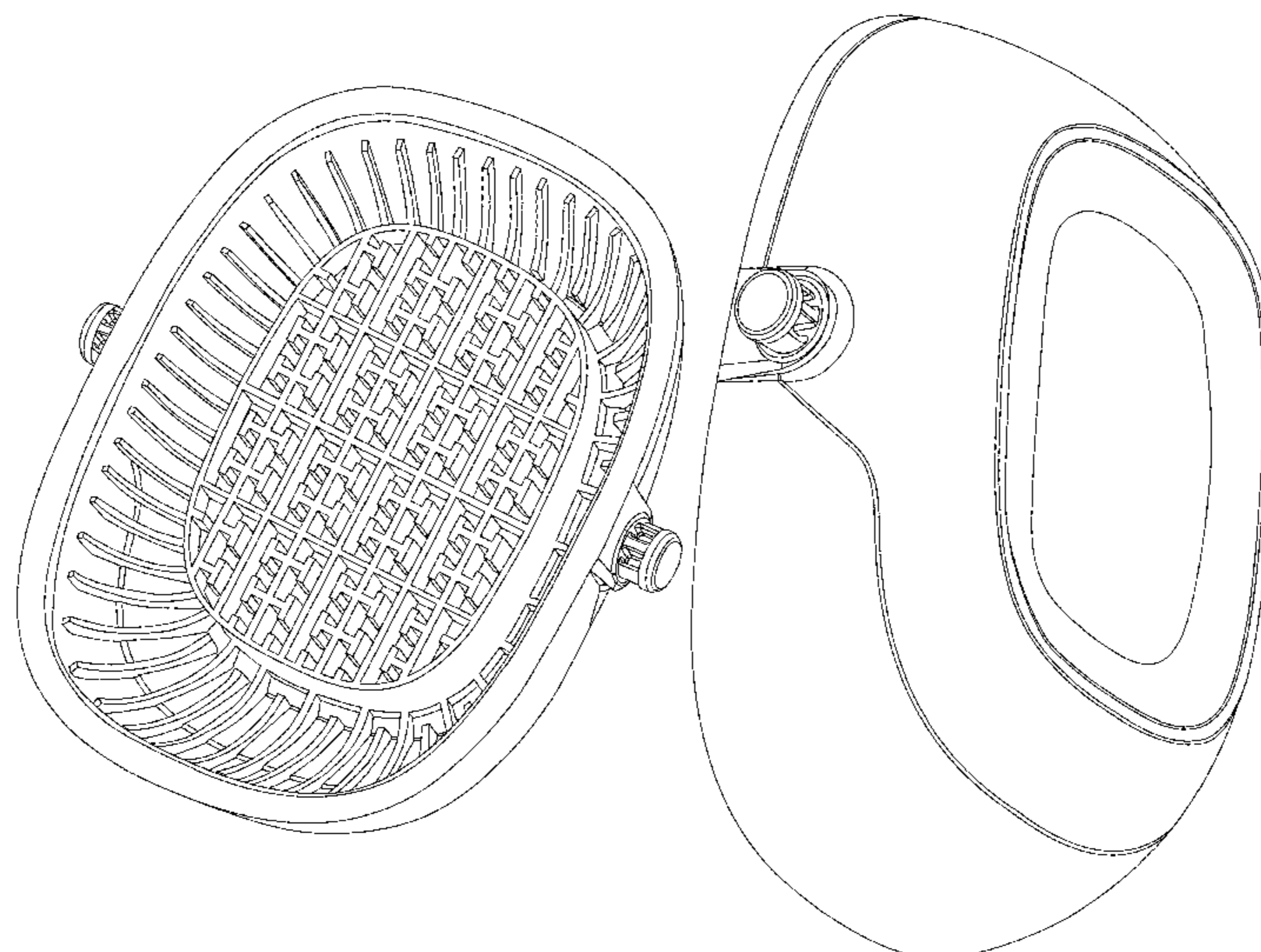
FIG. 1 is a perspective view of a hearing protection device showing our new design;
FIG. 2 is another perspective view thereof;
FIG. 3 is another perspective view thereof;
FIG. 4 is a top plan view thereof;
FIG. 5 is another perspective view thereof;
FIG. 6 is a bottom plan view thereof;
FIG. 7 is a left side elevation view thereof;
FIG. 8 is a right side elevation view thereof;
FIG. 9 is a front elevation view thereof; and,
FIG. 10 is a rear elevation view thereof.

(56) **References Cited**

U.S. PATENT DOCUMENTS

2,325,150 A * 7/1943 Sahlmann A61F 11/06
D29/112
2,582,907 A 1/1952 Kaufmann

1 Claim, 9 Drawing Sheets



(56)

References Cited

U.S. PATENT DOCUMENTS

3,197,785 A 8/1965 Simpson et al.
 3,432,861 A 3/1969 Flagg
 D239,787 S 5/1976 Lonnstedt
 D244,213 S * 5/1977 Besasie D14/223
 D276,665 S 12/1984 Higginson
 D276,855 S 12/1984 Falco
 D298,670 S * 11/1988 Palmaer D29/112
 D313,092 S * 12/1990 Nilsson D29/112
 D375,584 S 11/1996 Westerdal
 D385,665 S * 10/1997 Westerdal D29/112
 5,815,842 A 10/1998 Hiselius
 5,996,123 A * 12/1999 Leight A61F 11/14
 181/129
 D427,382 S * 6/2000 Leight D29/112
 D459,033 S * 6/2002 Dix D29/112
 D459,034 S 6/2002 Dix et al.
 D465,616 S 11/2002 Nilsson
 D544,650 S 6/2007 Westerdal
 D663,900 S * 7/2012 Karlsson A61F 11/14
 D29/112
 D687,189 S * 7/2013 Fairclough D29/112
 D735,419 S 7/2015 Rose et al.
 D753,884 S 4/2016 Bonney et al.
 D775,605 S * 1/2017 Lee D14/205
 9,640,166 B2 5/2017 Simon et al.
 D789,615 S 6/2017 Pratley
 D796,477 S * 9/2017 Minn D14/205
 D807,584 S 1/2018 Fletcher et al.
 D815,615 S 4/2018 Wernblad
 D830,331 S * 10/2018 Petersen D14/205
 D848,396 S 5/2019 Wilson et al.
 D848,679 S 5/2019 Wilson et al.
 D851,839 S * 6/2019 Scanlon D29/112
 D856,594 S * 8/2019 Wilson D29/112
 D863,690 S 10/2019 Chen
 D864,900 S * 10/2019 Miller D14/205
 D874,065 S * 1/2020 Bui D29/112
 D881,475 S 4/2020 Xu
 D886,802 S 6/2020 Willis et al.
 D891,397 S * 7/2020 Zeng D14/205
 D913,598 S 3/2021 Jesper et al.
 D924,200 S * 7/2021 Ueno D14/205
 D925,490 S * 7/2021 Ueno D14/205
 D939,779 S * 12/2021 Jenkins D29/112
 D942,089 S * 1/2022 Jenkins D29/112
 D945,981 S * 3/2022 Rois D14/205
 2007/0157365 A1 * 7/2007 Hansson A61F 11/14
 2/171
 2008/0075314 A1 3/2008 Chang
 2010/0158301 A1 6/2010 Kultz et al.
 2013/0340769 A1 * 12/2013 Roos A61F 11/14
 128/866
 2019/0069065 A1 * 2/2019 Brace H04R 1/1008
 2022/0062056 A1 3/2022 Jenkins et al.

FOREIGN PATENT DOCUMENTS

CN 109069299 A 12/2018
 WO 2018/150351 A1 8/2018

OTHER PUBLICATIONS

Jackson H70 Vibe® Super Premium Dielectric Ear Muffs | Cap-Mount | NRR 25DB, https://cleanflow.net/products/jackson-super-prem-dielectric-ear-muffs-cap-mount-nrr-25db?currency=CAD&variant=39284694483005&utm_medium=cpc&utm_source=google&utm_campaign=Google%20Shopping&srsltid, copyright 2022 CleanFlow. (Year: 2022).*

Lucid Audio, Hearmuffs™ Sounds, [retrieved Apr. 4, 2019] retrieved from the Internet <URL: <https://lucidaudio.com/product/hearmuffs-sounds/>>, 16 pages.

Lucid Audio, Kids HearMuffs™ Trio, [retrieved Apr. 4, 2019] retrieved from the Internet <URL: <https://lucidaudio.com/product/kids-hearmuffs-trio/>>, 14 pages.

Sapoval, B., et al., "Acoustical properties of irregular and fractal cavities", Oct. 1, 1997, J. Acoust. Soc. Am., pp. 2014-2019, vol. 102, No. 4.

3M Twin-Cup Industrial Hearing Protector, <https://gemplers.com/products/3m-twin-cup-industrial-hearing-protector>, May 1, 2020. (Year: 2020).

Corrected Notice of Allowability received for U.S. Appl. No. 29/680,786, dated Nov. 19, 2021, 5 pages.

Corrected Notice of Allowability received for U.S. Appl. No. 29/680,788, dated Nov. 19, 2021, 5 pages.

Ex Parte Quayle Action received for U.S. Appl. No. 29/680,786, mailed on Jul. 15, 2021, 15 pages.

Ex Parte Quayle Action received for U.S. Appl. No. 29/680,788, mailed on Jul. 15, 2021, 9 pages.

Examination Report issued in European Community Design Application No. 006738217 dated Aug. 26, 2019, 5 pages.

Examination Report issued in European Community Design Application No. 006740239 dated Aug. 27, 2019, 2 pages.

International Search Report and Written Opinion issued in International Application No. PCT/CN2019/075562 dated Sep. 2, 2019, 7 pages.

Notice of Allowance received for U.S. Appl. No. 29/680,786, dated Oct. 5, 2021, 8 pages.

Notice of Allowance received for U.S. Appl. No. 29/680,788, dated Oct. 6, 2021, 8 pages.

Notice of Grant of Patent Right for a Design issued in Chinese Application No. 201930453176.6 dated Jan. 6, 2020, 4 pages.

Requirement for Restriction/Election dated May 4, 2021 for U.S. Appl. No. 29/680,786.

Requirement for Restriction/Election dated May 4, 2021 for U.S. Appl. No. 29/680,788.

* cited by examiner

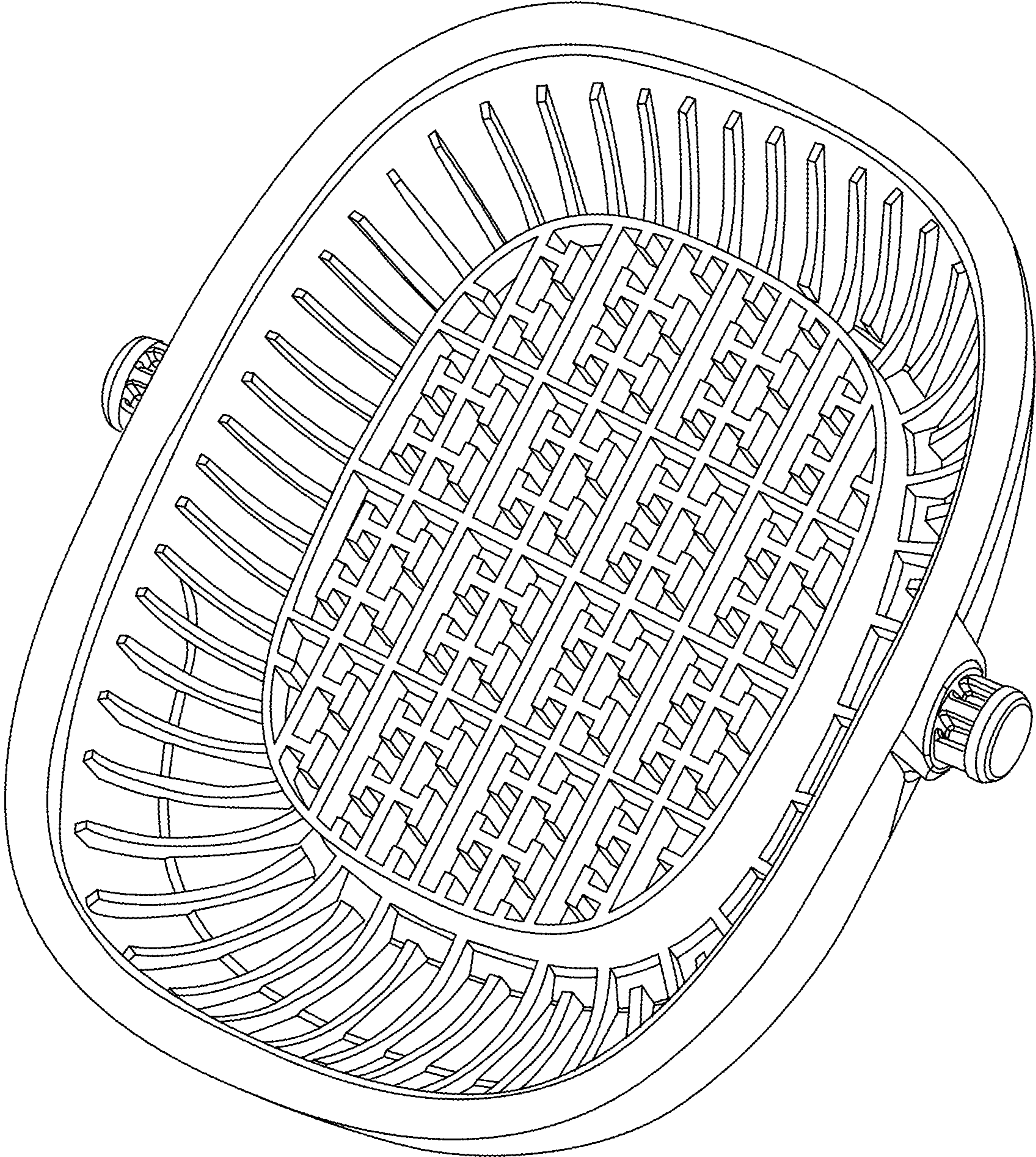


FIG. 1

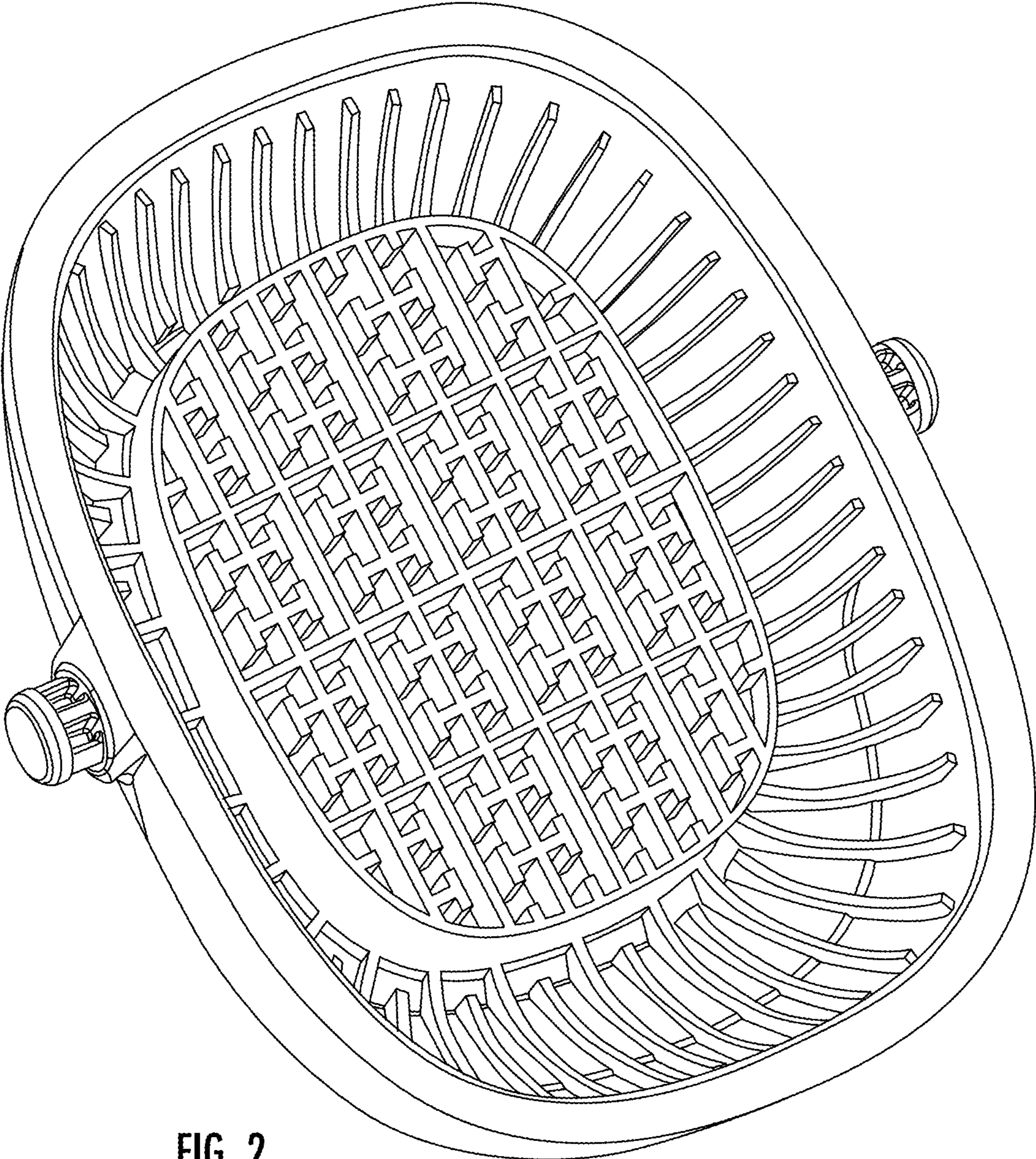


FIG. 2

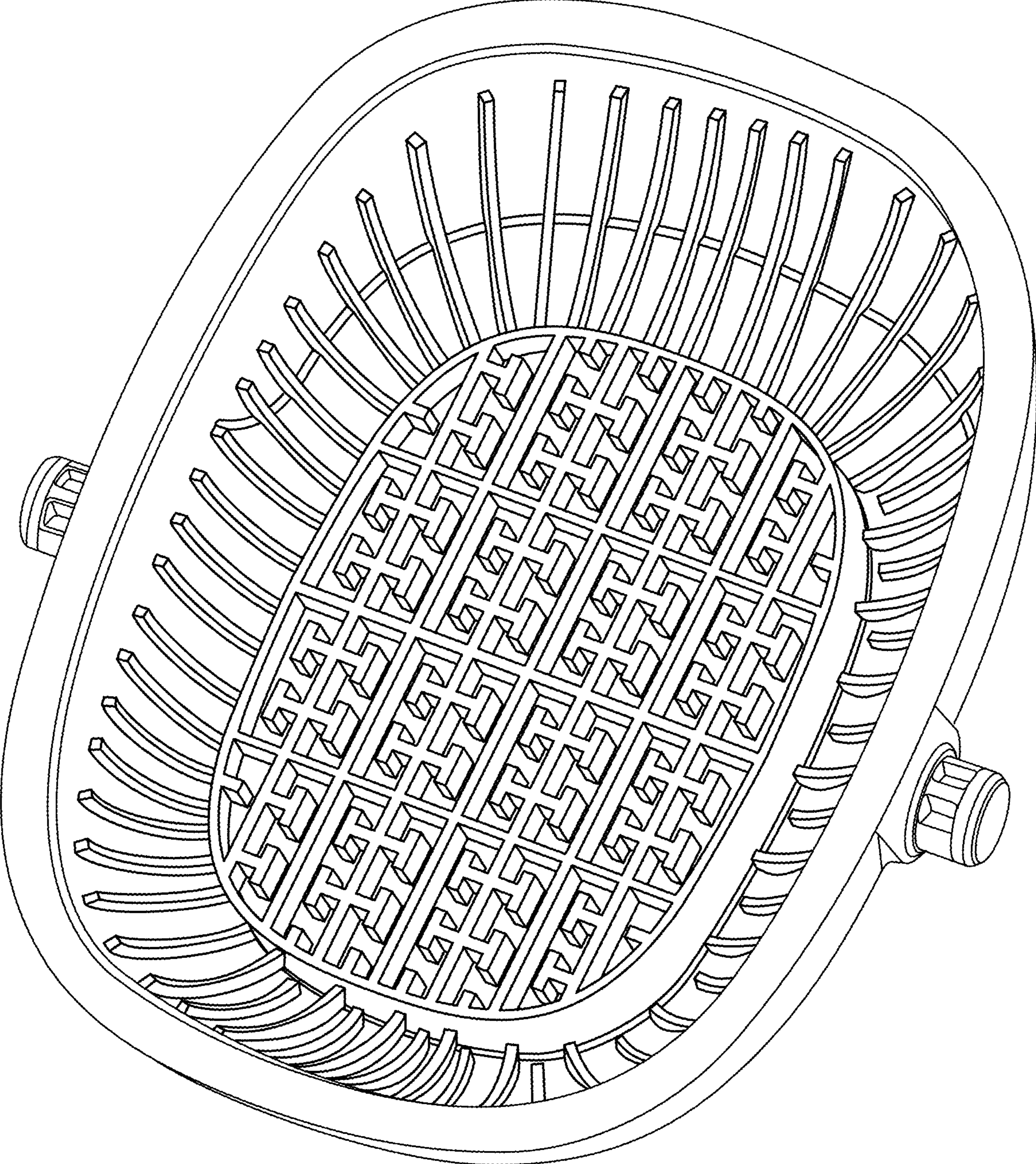


FIG. 3

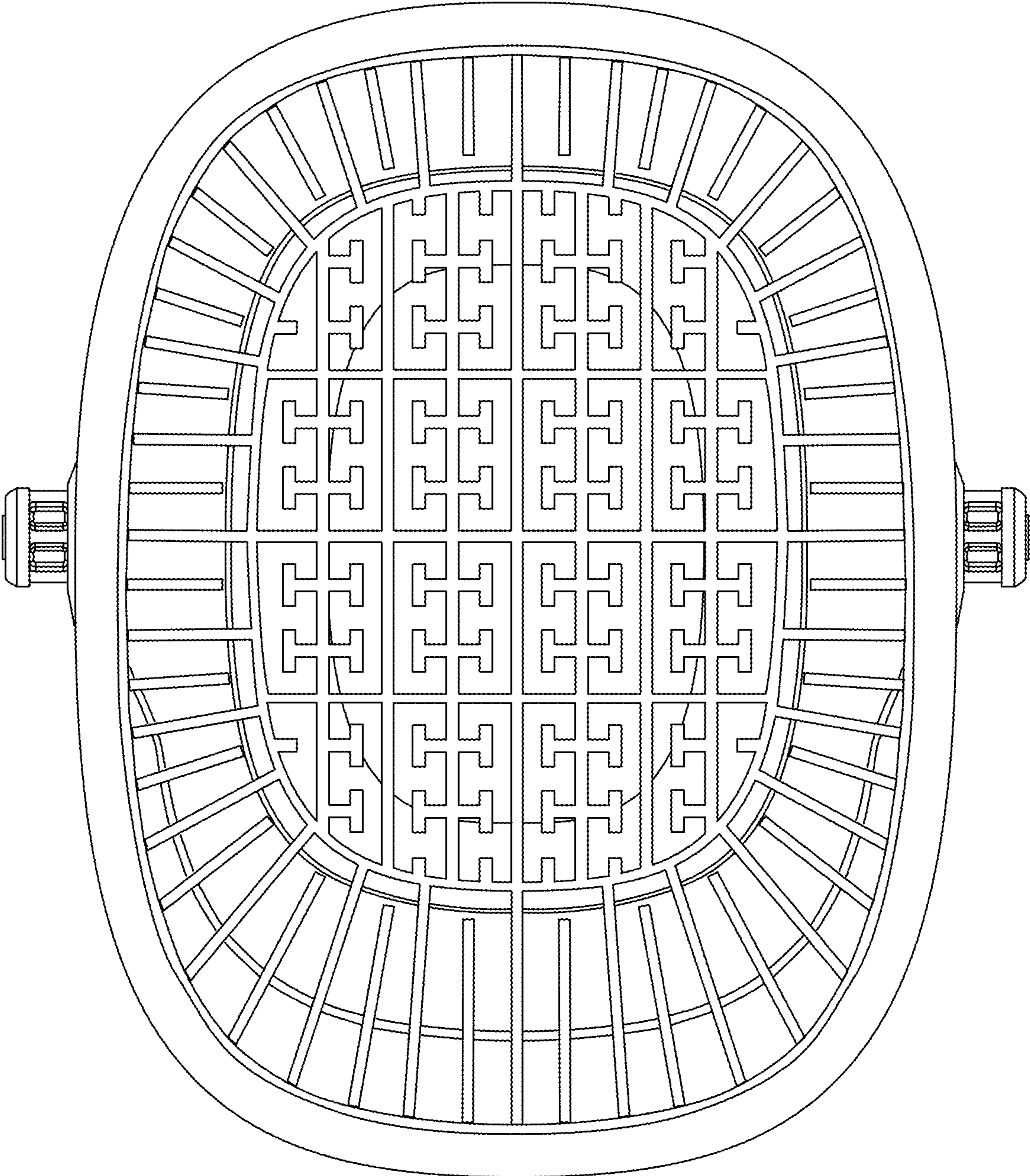


FIG. 4

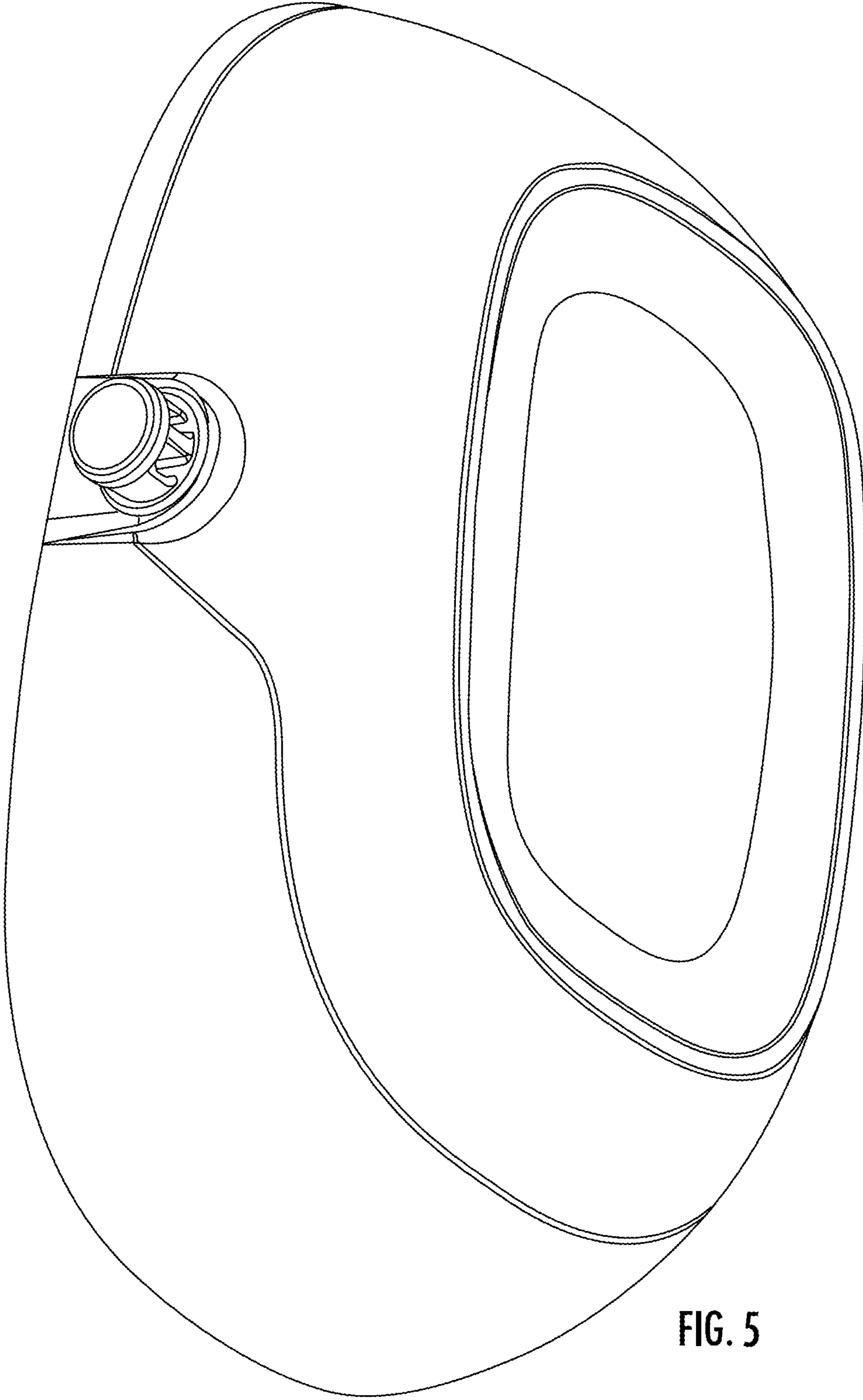


FIG. 5

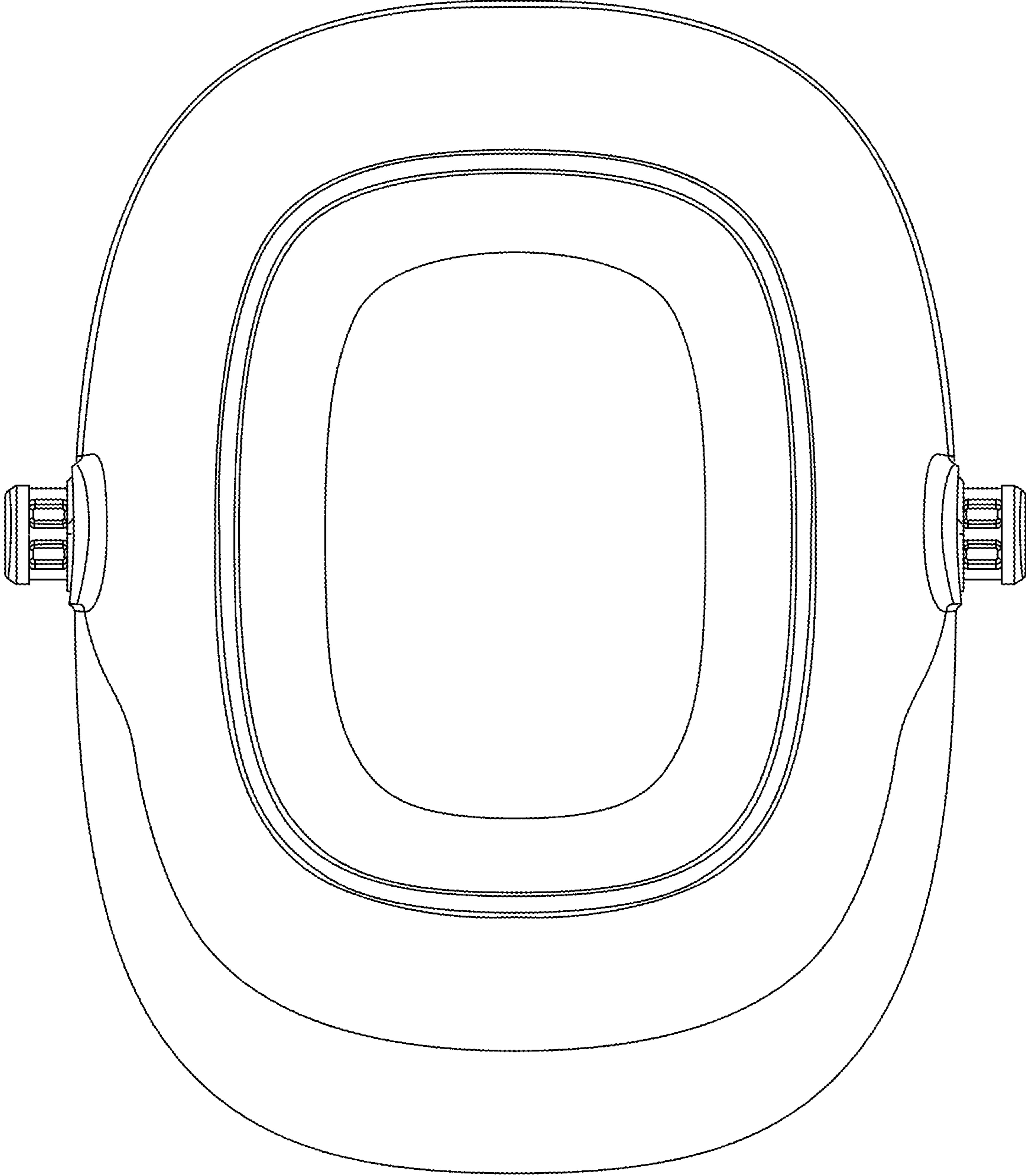


FIG. 6

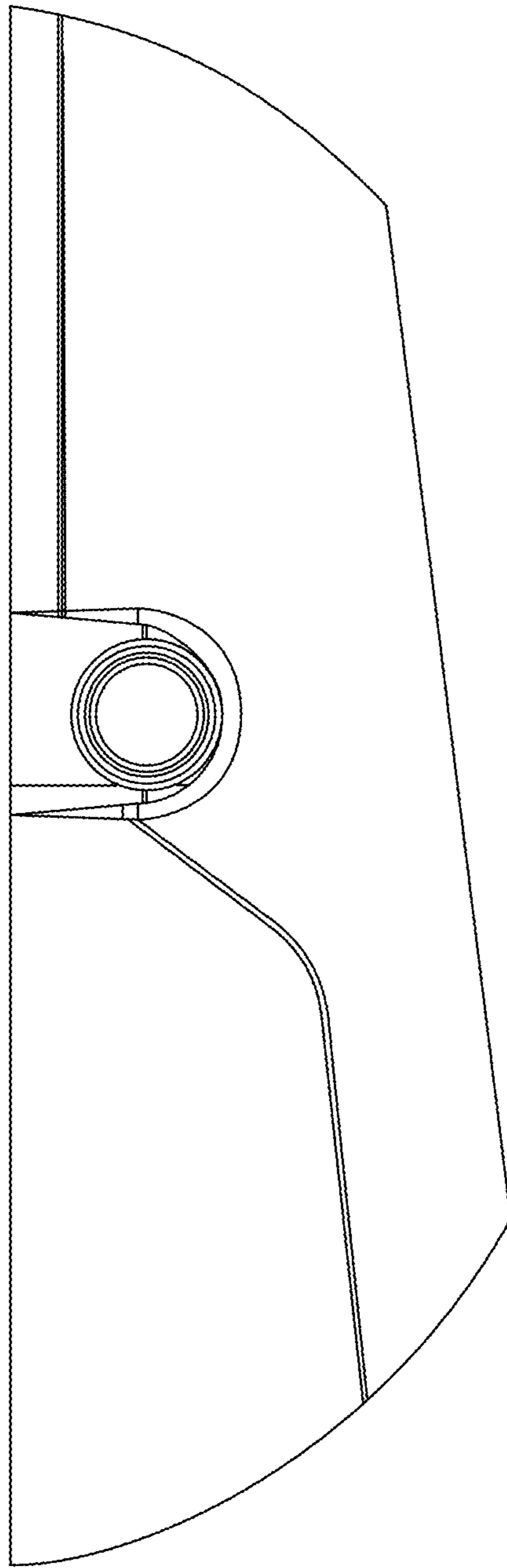


FIG. 7

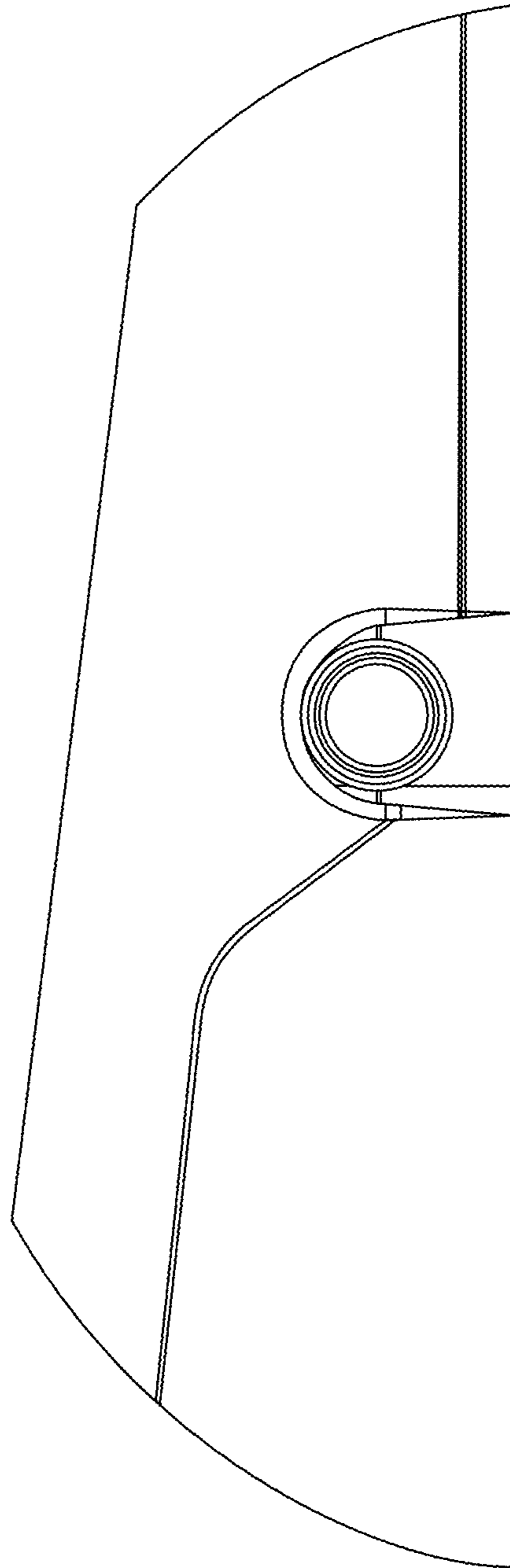


FIG. 8

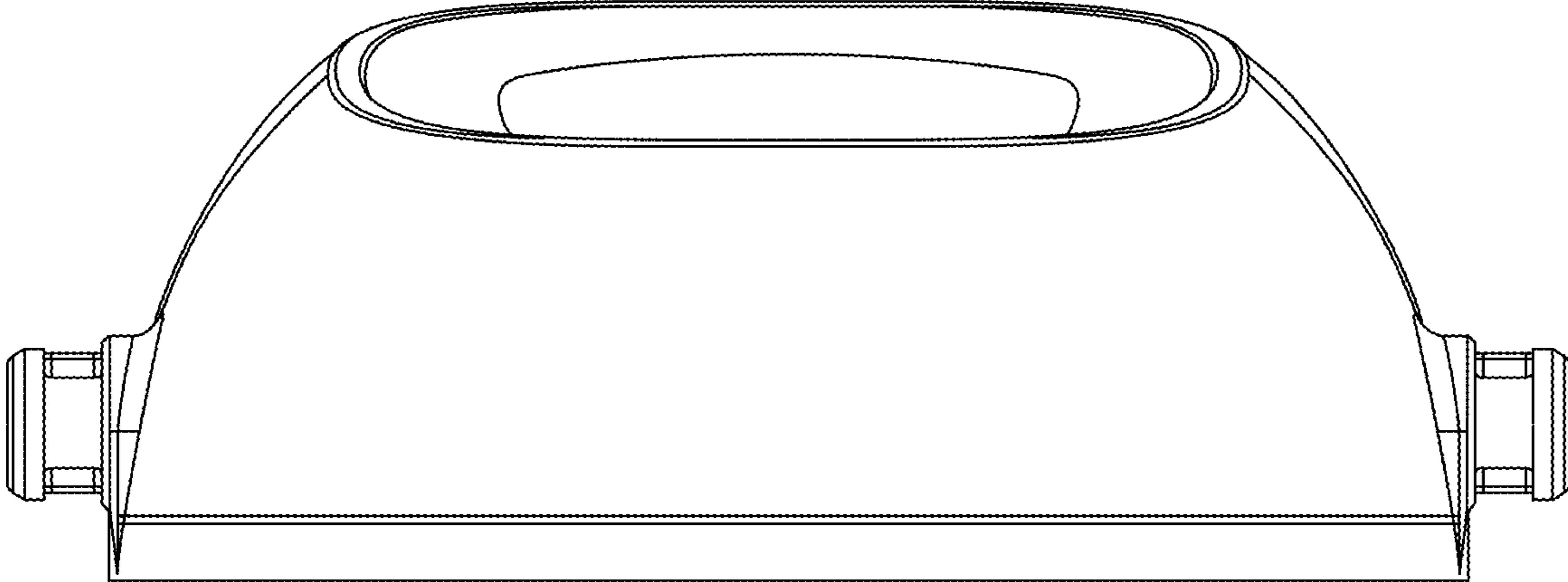


FIG. 9

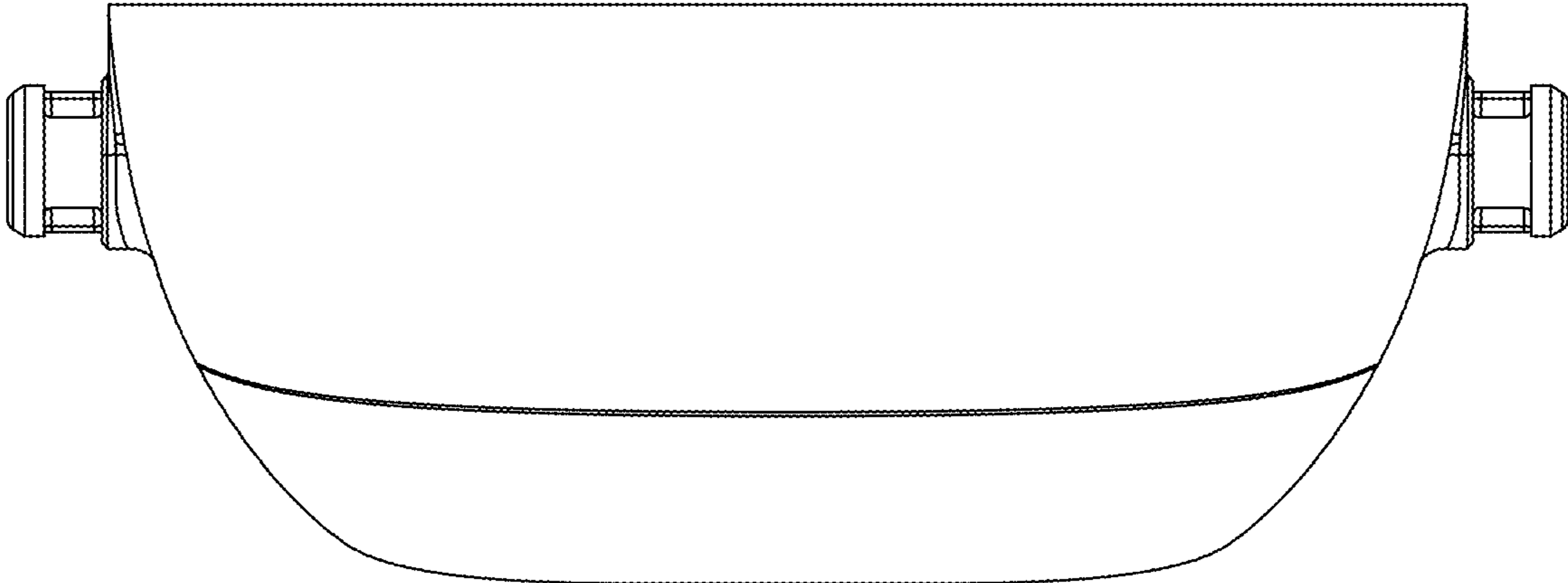


FIG. 10