



US00D960454S

(12) **United States Design Patent** (10) **Patent No.:** **US D960,454 S**
Brunner (45) **Date of Patent:** **** Aug. 9, 2022**

(54) **HEADBAND HOLDER**

(71) Applicant: **Darin Robert Brunner**, Centerville, UT (US)

(72) Inventor: **Darin Robert Brunner**, Centerville, UT (US)

(**) Term: **15 Years**

(21) Appl. No.: **29/682,483**

(22) Filed: **Mar. 5, 2019**

(51) **LOC (13) Cl.** **28-03**

(52) **U.S. Cl.**
USPC **D28/73**

(58) **Field of Classification Search**
USPC D3/232, 239, 240, 242, 294, 273, 276, D3/279, 281, 282, 270, 271.1–271.4, D3/271.6, 271.11, 271.12, 274.4, 291, D3/304, 901, 201, 202, 218; D28/9, 10, D28/17, 32, 38, 41, 73, 75, 93; D6/315, D6/320, 553, 566, 567, 674
CPC A63H 33/04; A63H 33/06; A63H 33/062; A63H 33/08; A63H 33/088; A63F 9/12; A63F 9/1224; A47G 25/743; A47F 5/00; A47F 5/0006
See application file for complete search history.

(56) **References Cited**

U.S. PATENT DOCUMENTS

D254,881 S *	5/1980	Pyskaty	D8/373
D354,874 S *	1/1995	Burch	D6/567
D357,092 S *	4/1995	Young	D11/200
D387,486 S *	12/1997	Jordan	D28/42
D387,497 S *	12/1997	Guiliano	D28/73

(Continued)

OTHER PUBLICATIONS

Etsy, Mickey Ear Wall Display, publication [online] [retrieved on Feb. 7, 2019] apparently published on or before Jun. 20, 2017, retrieved from the Internet: <<https://www.etsy.com/listing/642706807/>>

mickey-ear-wall-display?gpla=1&gao=1&&utm_source=google&utm_medium=cpc&utm_campaign=shopping_us_d-home_and_living-home_decor-wall_decor-other&utm_custom1=5e564168-badb-4236-b3e8-142cce3e6b5&utm_content=go_270949355_21143597675_69017186915_pla-307501513391_c_642706807&gclid=CjwKCAiAy-iBRAaEiwAYhSIA-TNH5vjpcsuXh1g80s0FYoi1kiGQ7F6higDE6vcQbN3KicSxKzXaRoCBsAQAvD_BwE> (shown in attachment 4).

(Continued)

Primary Examiner — Mary Shannon Malley

(74) *Attorney, Agent, or Firm* — Austin Rapp

(57) **CLAIM**

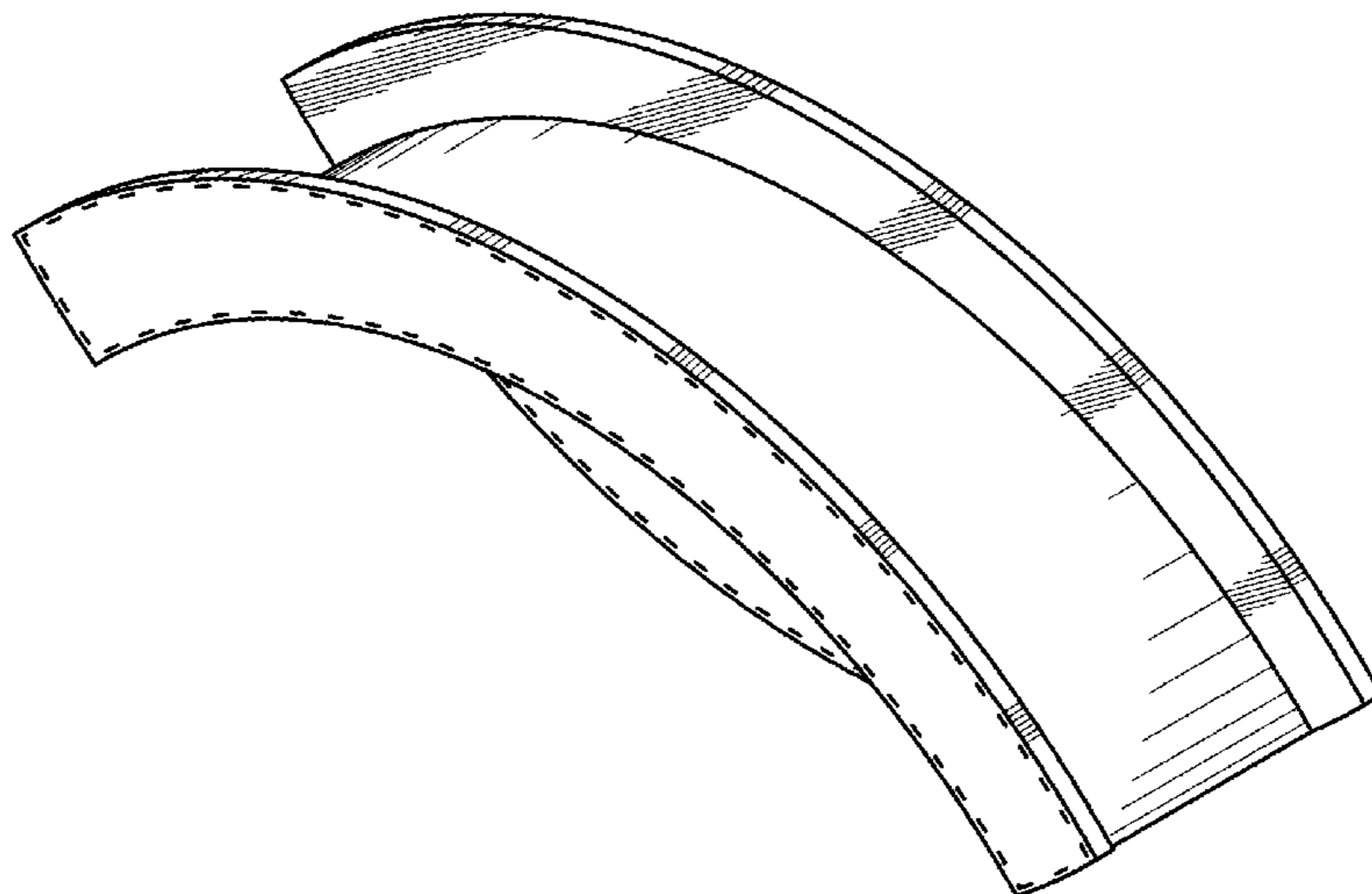
The ornamental design for a headband holder, as shown and described.

DESCRIPTION

FIG. 1 is a first top perspective view of a headband holder, according to my new design;
FIG. 2 is a second top perspective view of the headband holder;
FIG. 3 is a first bottom perspective view of the headband holder;
FIG. 4 is a second bottom perspective view of the headband holder;
FIG. 5 is a left side elevational view of the headband holder;
FIG. 6 is a right side elevational view of the headband holder;
FIG. 7 is a front side elevational view of the headband holder;
FIG. 8 is a rear side elevational view of the headband holder;
FIG. 9 is a top plan view of the headband holder;
FIG. 10 is a bottom plan view of the headband holder; and,
FIG. 11 is left side elevational, cross-sectional view of the headband holder of FIG. 5 taken across the line 11-11 in FIG. 7.

The broken lines in the figures identify unclaimed portions of the headband holder and form no part of the claimed design.

1 Claim, 11 Drawing Sheets



(56)

References Cited

U.S. PATENT DOCUMENTS

D417,115	S	*	11/1999	Creel	D6/567
D509,730	S	*	9/2005	Bernard	D9/420
D531,759	S	*	11/2006	Longoria	D28/73
D575,005	S	*	8/2008	Gomez	D28/75
D643,154	S	*	8/2011	Dumala	D28/75
D748,335	S	*	1/2016	Goodman	D28/38
D768,337	S	*	10/2016	Treb	A41G 5/0086 D28/73
D927,068	S	*	8/2021	Shen	D6/320
D928,597	S	*	8/2021	Nucci	D8/373
2018/0344058	A1	*	12/2018	Petner	A47G 25/10

OTHER PUBLICATIONS

Etsy, Mouse with Bow Ear Display Wall Hook, Mouse Ear Display, Headband Display, publication [online] [retrieved on Feb. 7, 2019] apparently published on or before Jan. 17, 2019, retrieved from the Internet: <<https://www.etsy.com/listing/633943394/mouse-with-bow-ear-display-wall-hook?ref=listing-shop-header-2>> (shown in attachment 5).

Etsy, Mouse Ear Wall Mount, Ear Hold, Ear Display, Mouse, Mouse Ears, Wall Display, 3D Printed Mouse Ear Wall display, publication [online] [retrieved on Feb. 7, 2019] apparently published on or before Dec. 20, 2018, retrieved from the Internet: <https://www.etsy.com/listing/647699871/mouse-ear-wall-mount-ear-holder-ear?show_sold_out_detail=1&frs=1> (shown in attachment 6).

Etsy, Mouse Ear Wall Mount, Ear Hold, Ear Display, Mouse, Mouse Ears, Wall Display, Enlarged Portion of Webpage Showing 3D Printed Mouse Ear Wall display (Single Image Only), publication [online] [retrieved on Feb. 7, 2019] apparently published on or before Dec. 20, 2018, retrieved from the Internet: <https://www.etsy.com/listing/647699871/mouse-ear-wall-mount-ear-holder-ear?show_sold_out_detail=1&frs=1> (shown in attachment 7).

Etsy, Mickey Ear Wall Display, publication [online] [retrieved on Feb. 7, 2019] apparently published on or before Jun. 20, 2017, retrieved from the Internet: <https://www.etsy.com/listing/642706807/mickey-ear-wall-display?gpla=1&gao=1&utm_source=google&utm_medium=cpc&utm_campaign=shopping_us_d-home_and_living-home_decor-wall_decor-other&utm_custom1=5e564168-badb-4236-b3e8-142cce3e6b5&utm_content=go_270949355_21143597675_69017186915_pla-307501513391_c_642706807&gclid=CjwKCAiAy-iBRAaEiwAYhSIA-TNH5vjpcsxH1g80s0FYoi1kiGQ7F6higDE6vcQbN3KicSxKzXaRoCBsAQAvD_BwE> (shown in attachment 1).

Etsy, Mouse with Bow Ear Display Wall Hook, Mouse Ear Display, Headband Display, publication [online] [retrieved on Feb. 7, 2019] apparently published on or before Jan. 17, 2019, retrieved from the Internet: <<https://www.etsy.com/listing/633943394/mouse-with-bow-ear-display-wall-hook?ref=listing-shop-header-2>> (shown in attachment 2).

Etsy, Mickey Ear Wall Display, publication [online] [retrieved on Feb. 7, 2019] apparently published on or before Dec. 20, 2018, retrieved from the Internet: <https://www.etsy.com/listing/647699871/mouse-ear-wall-mount-ear-holder-ear?show_sold_out_detail=1&frs=1> (shown in attachment 3).

* cited by examiner

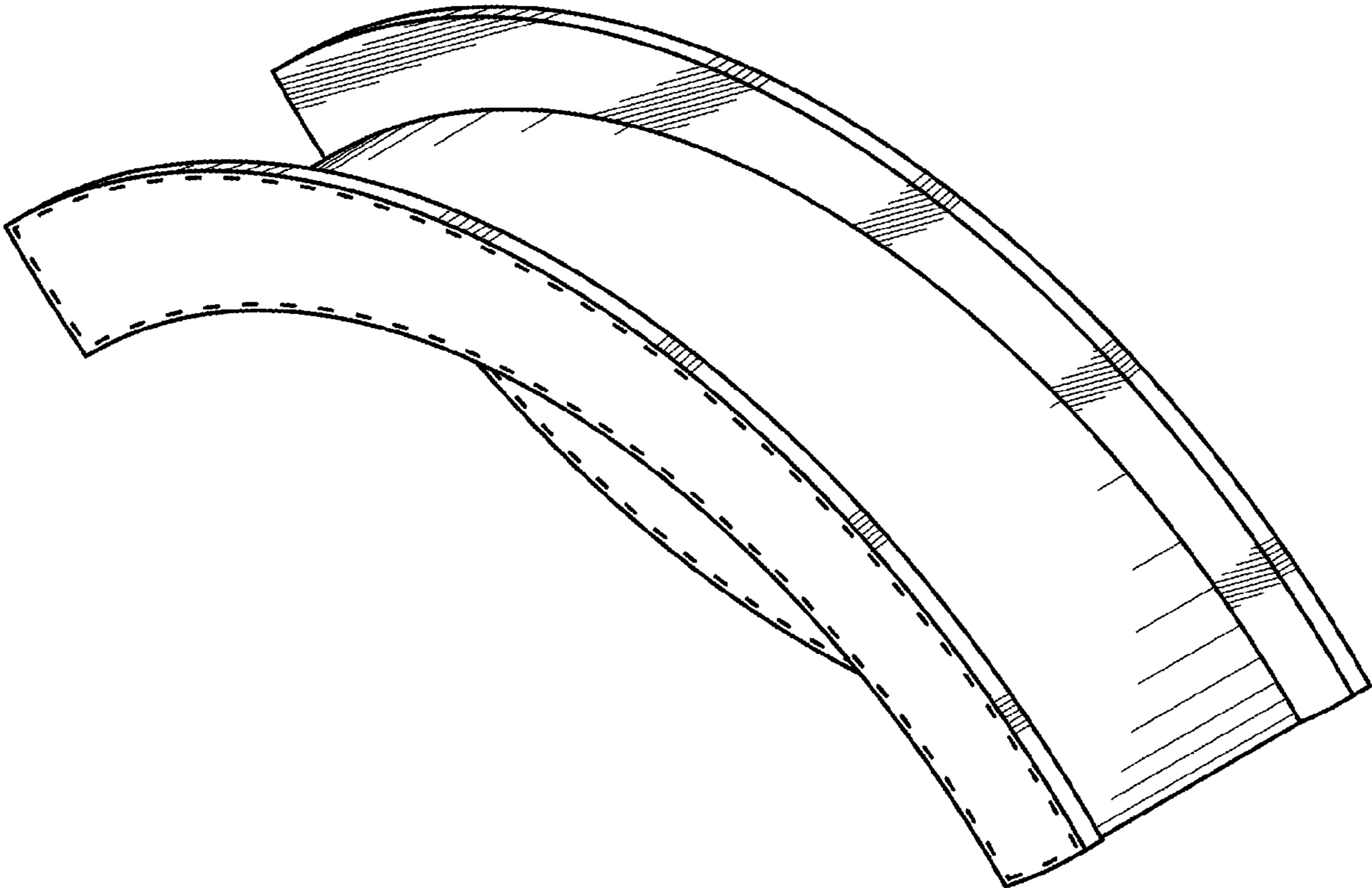


FIG. 1

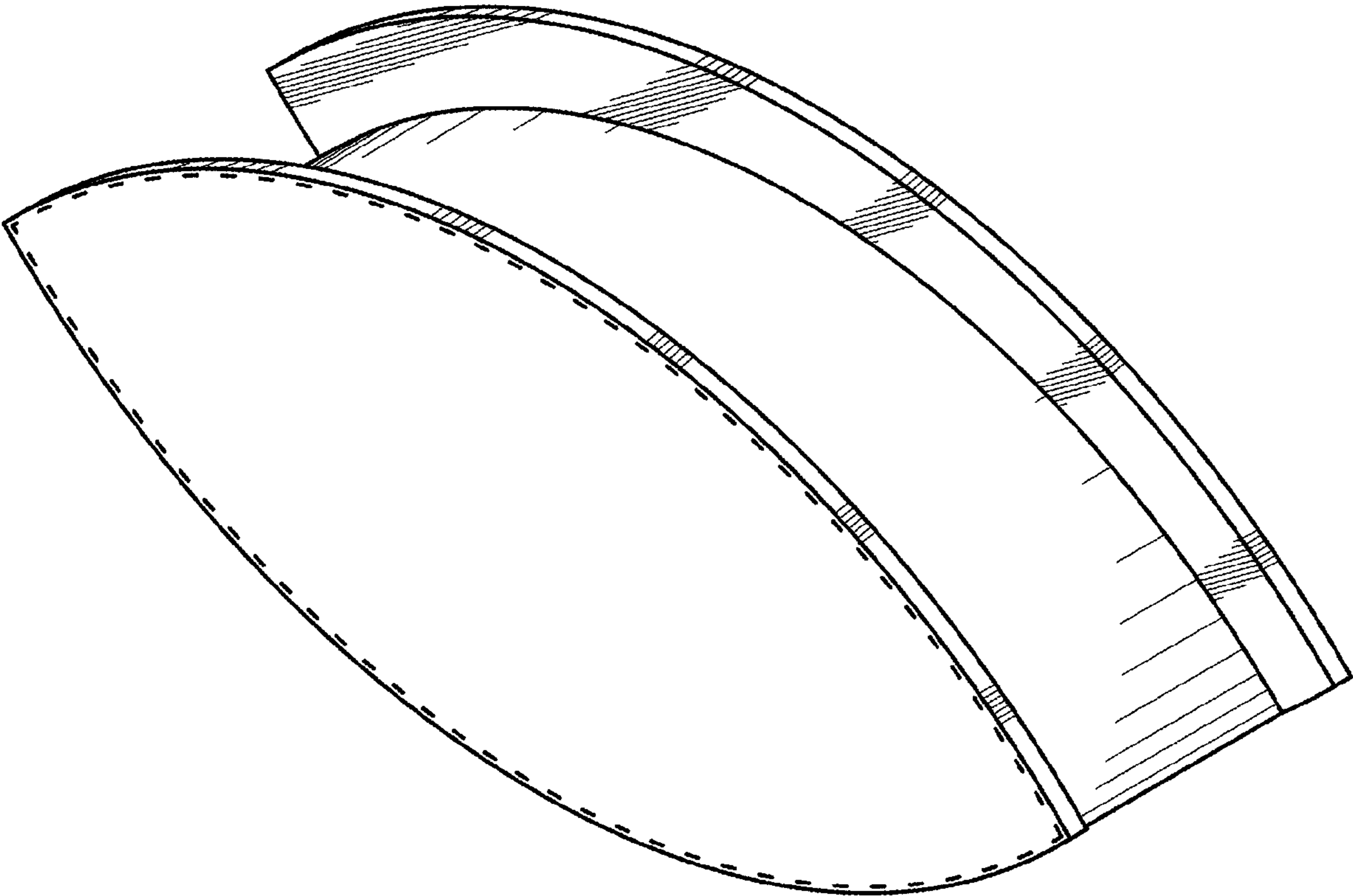


FIG. 2

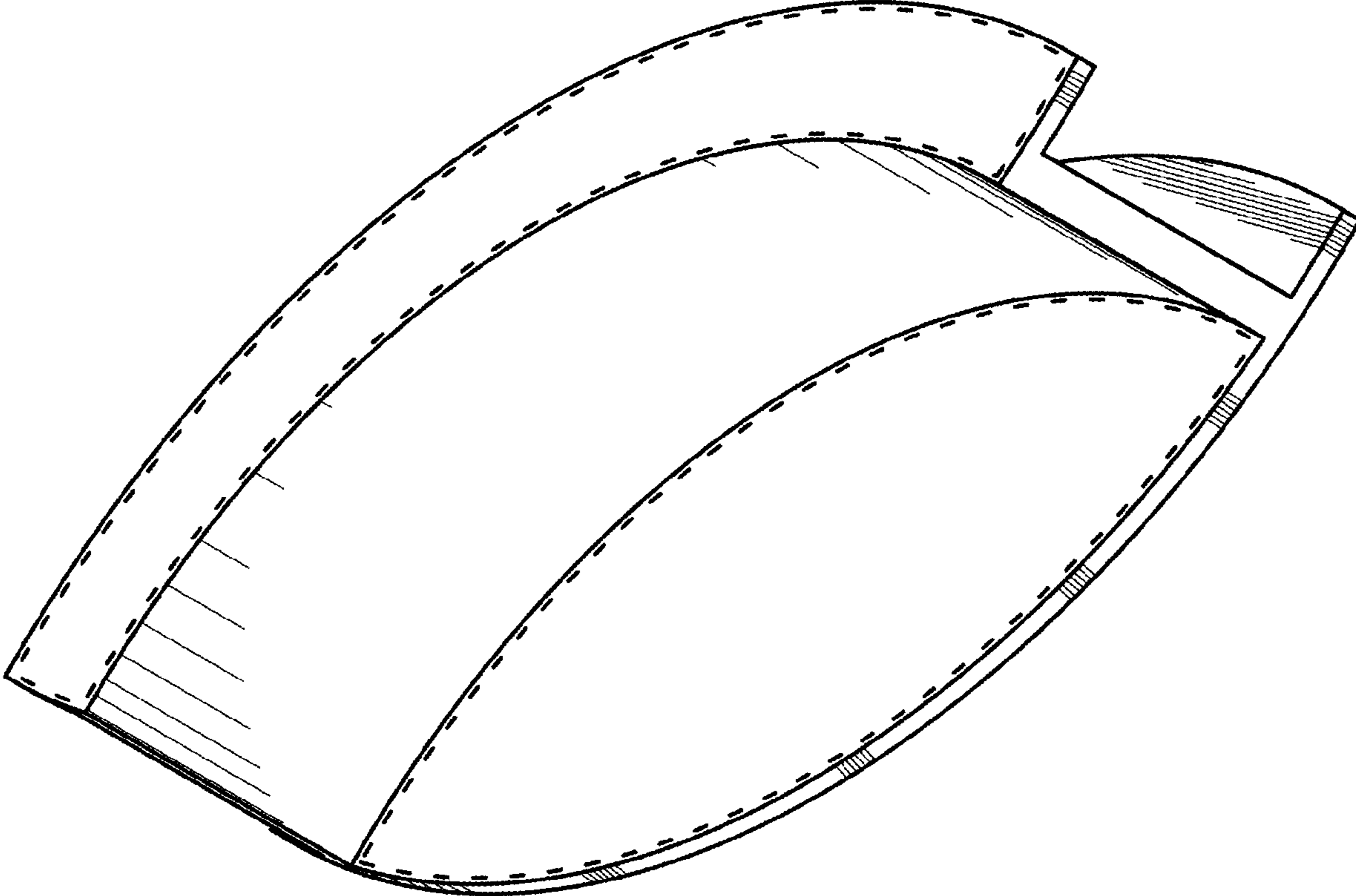


FIG. 3

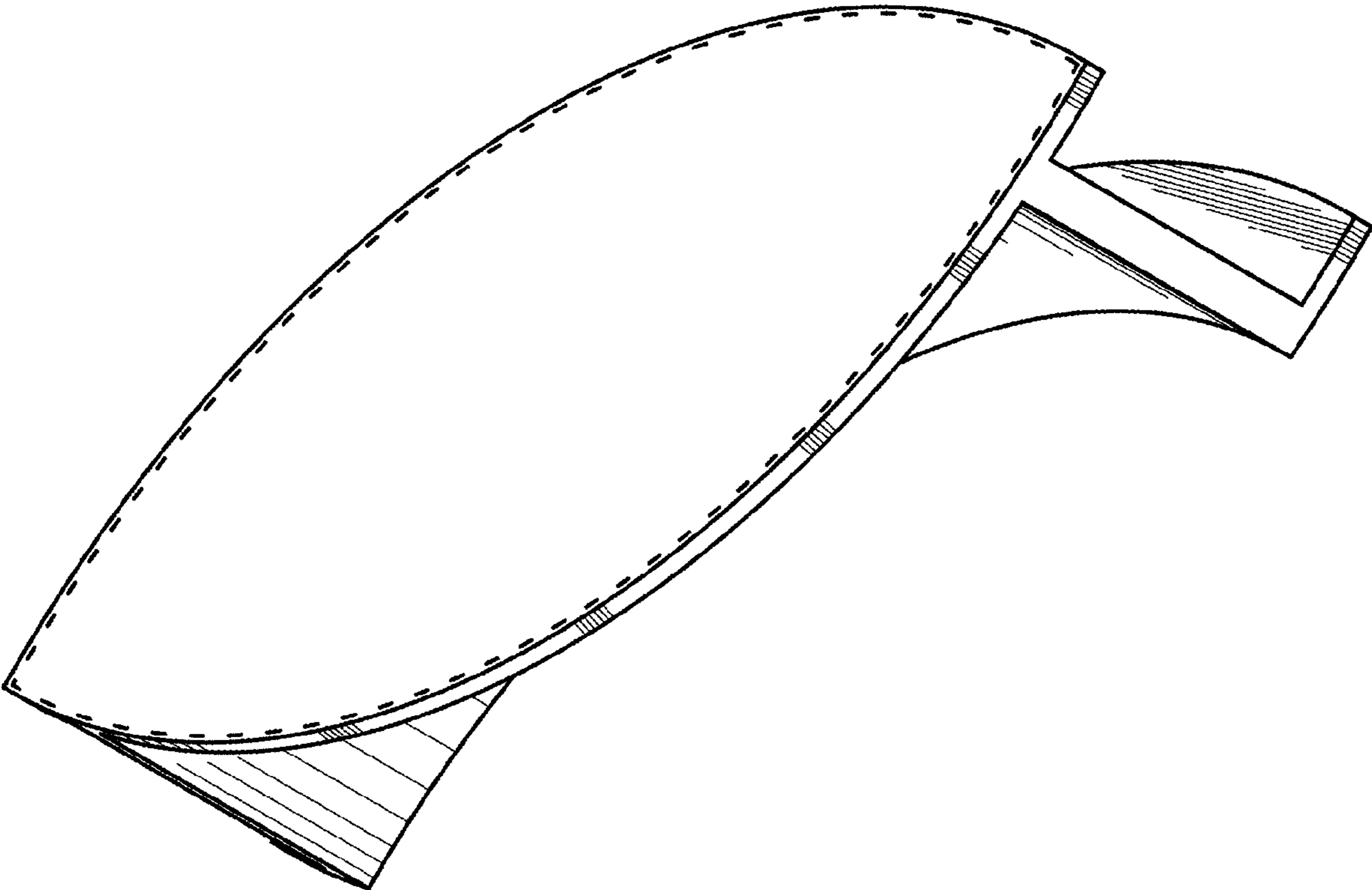


FIG. 4

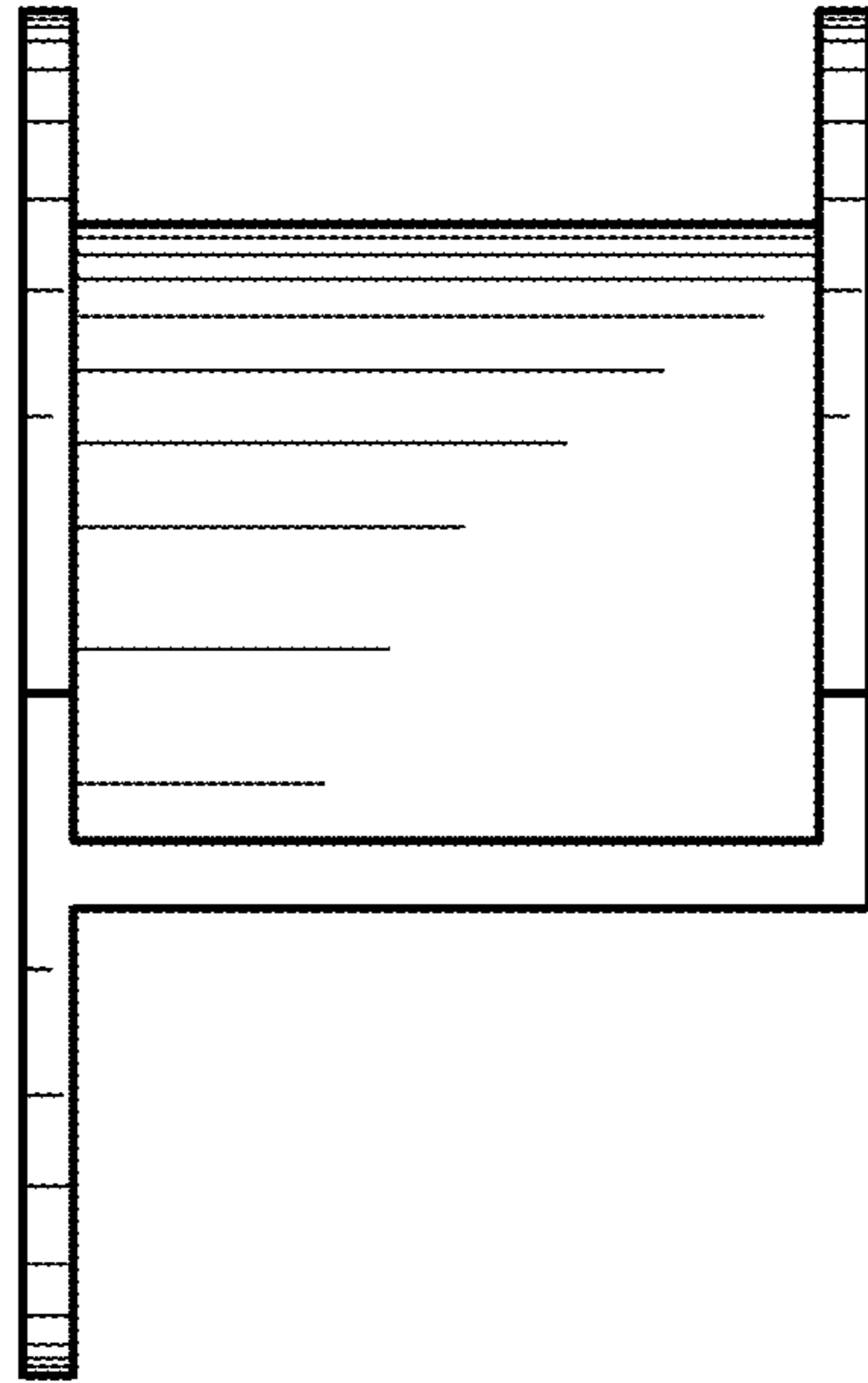


FIG. 5

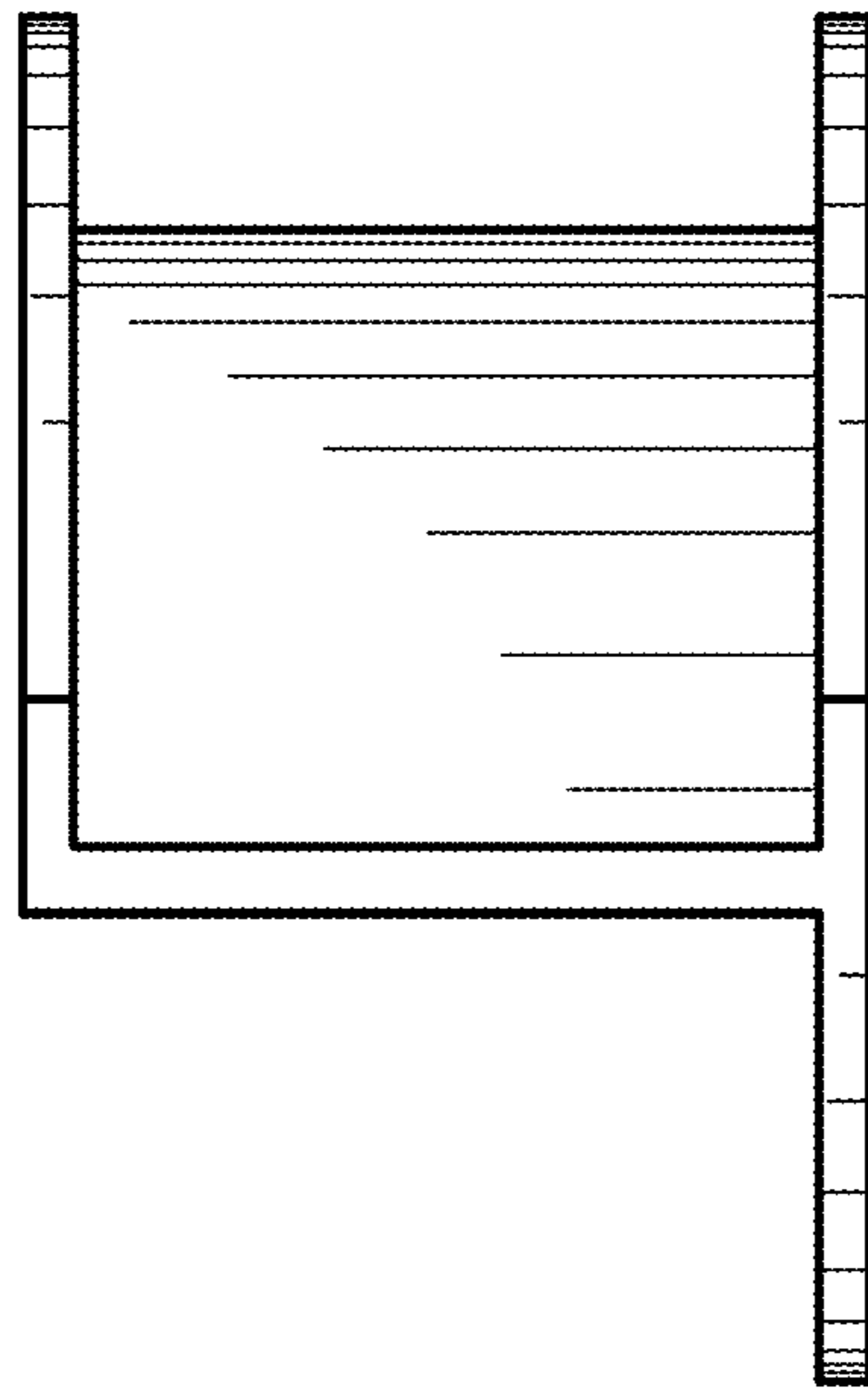


FIG. 6

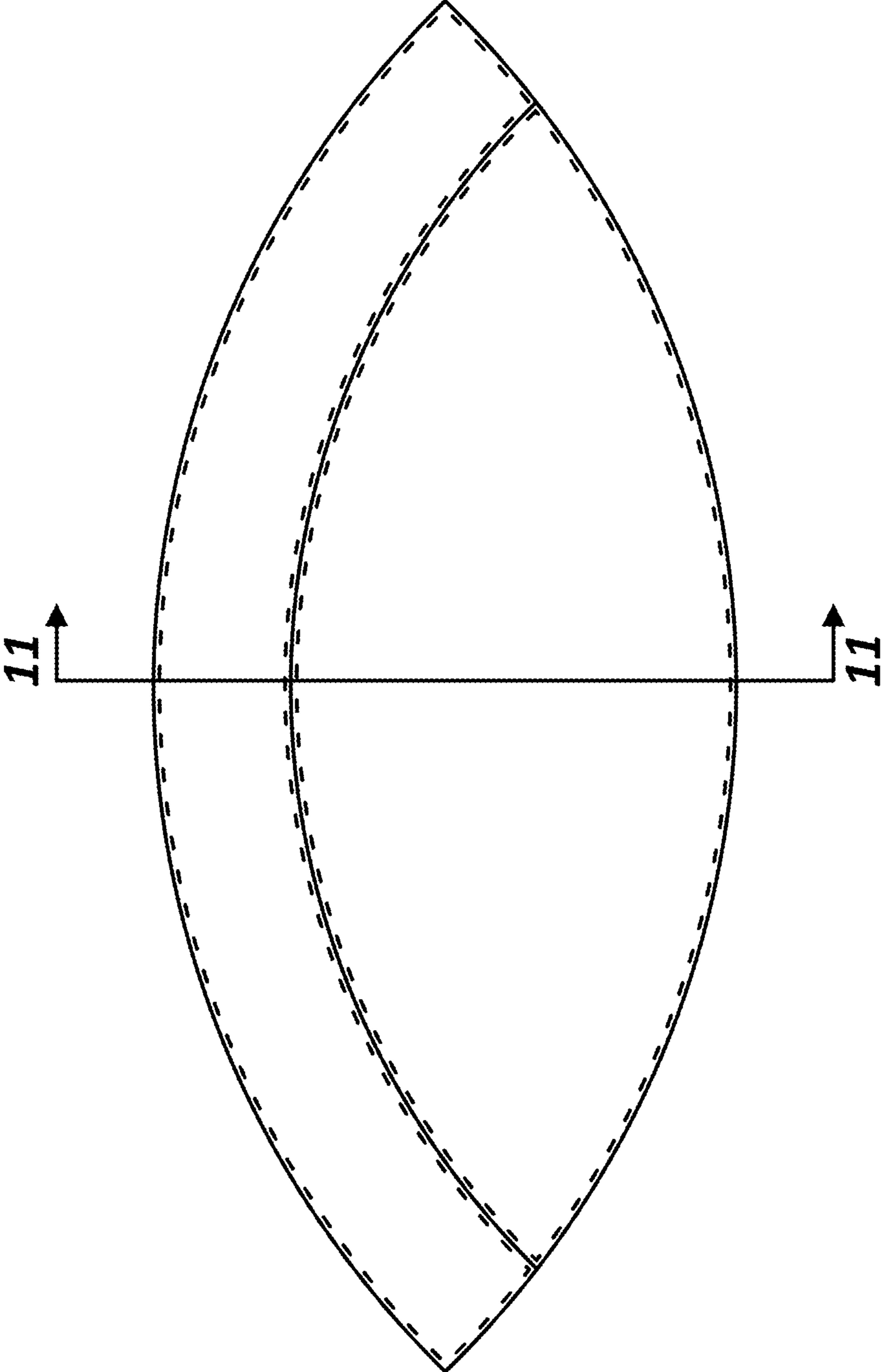


FIG. 7

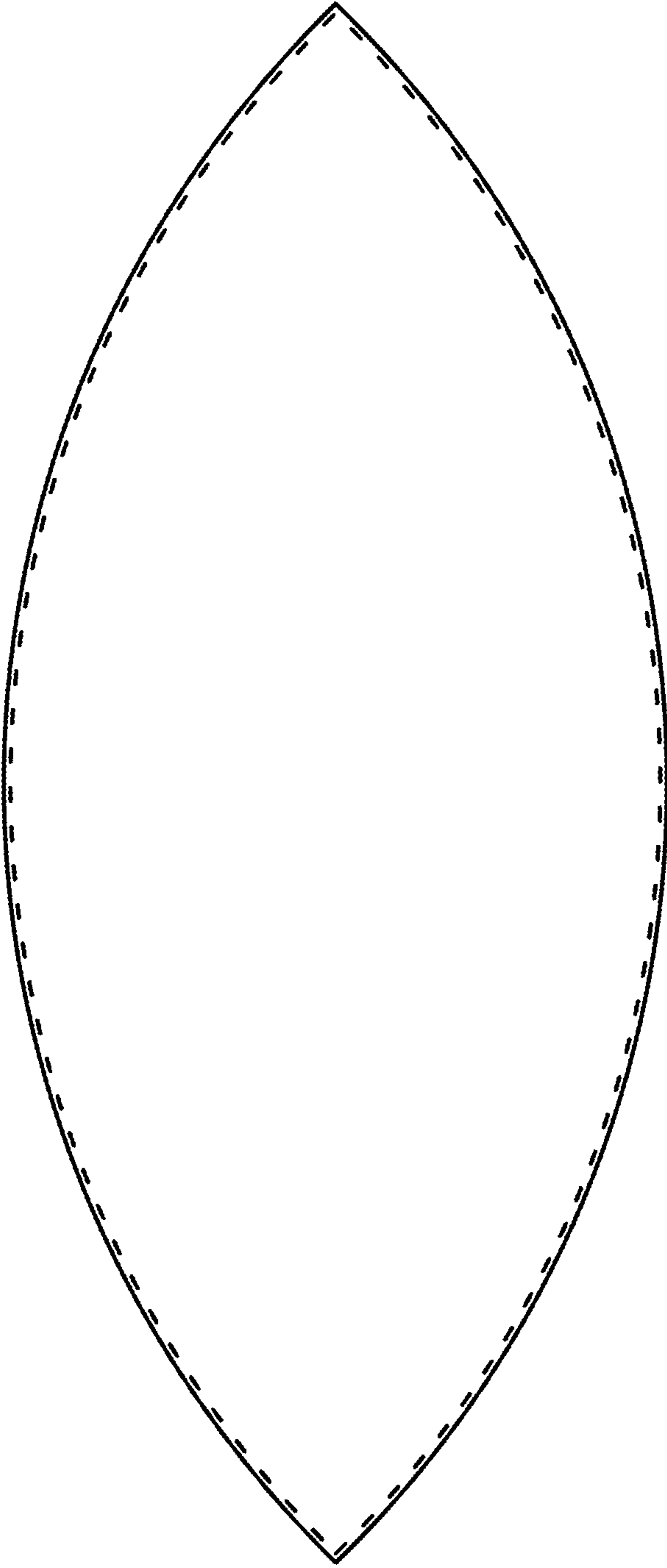


FIG. 8

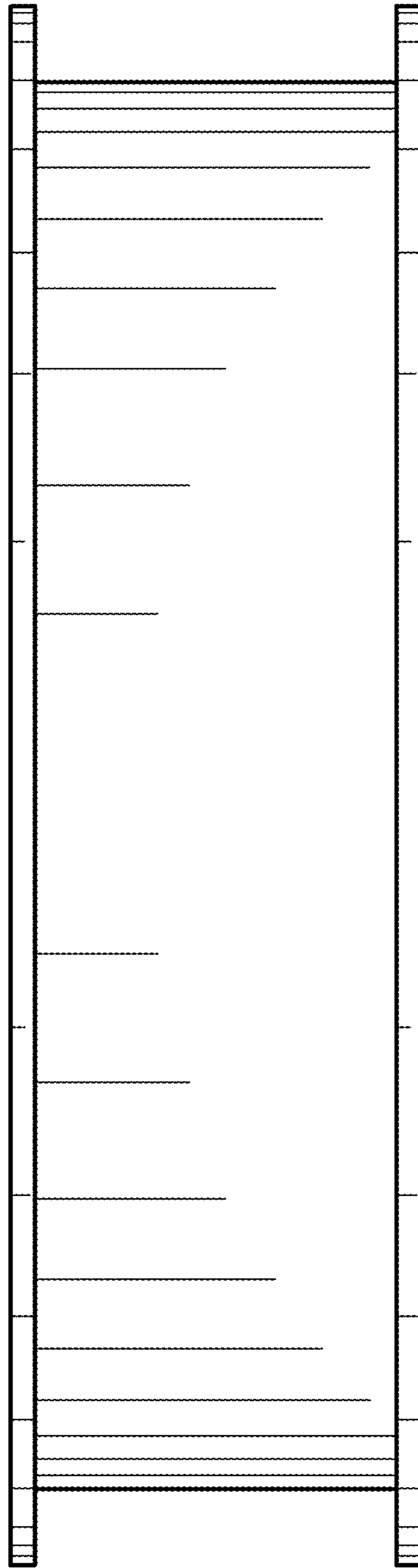


FIG. 9

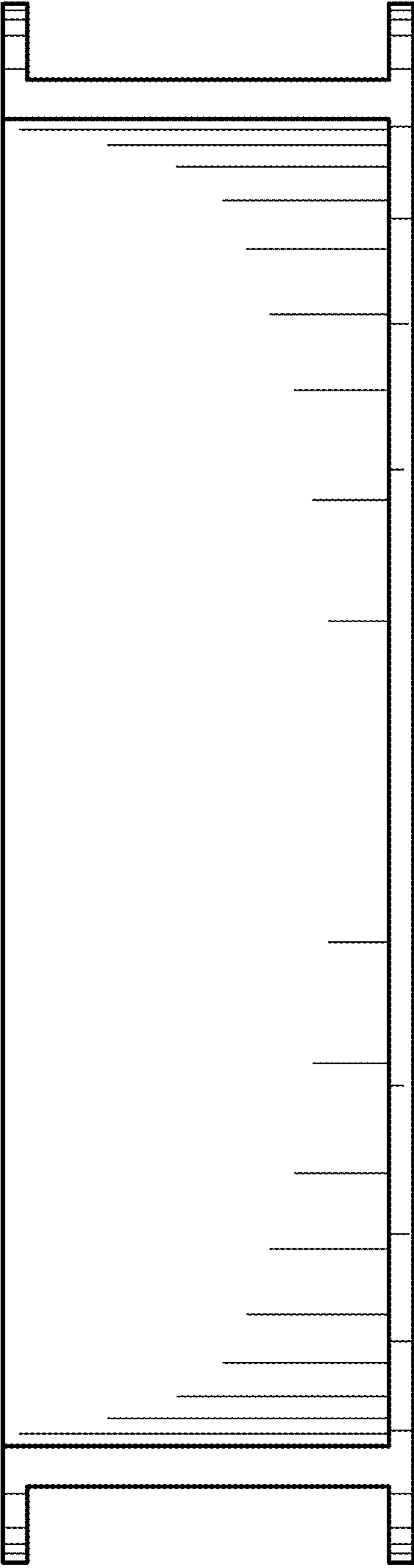


FIG. 10

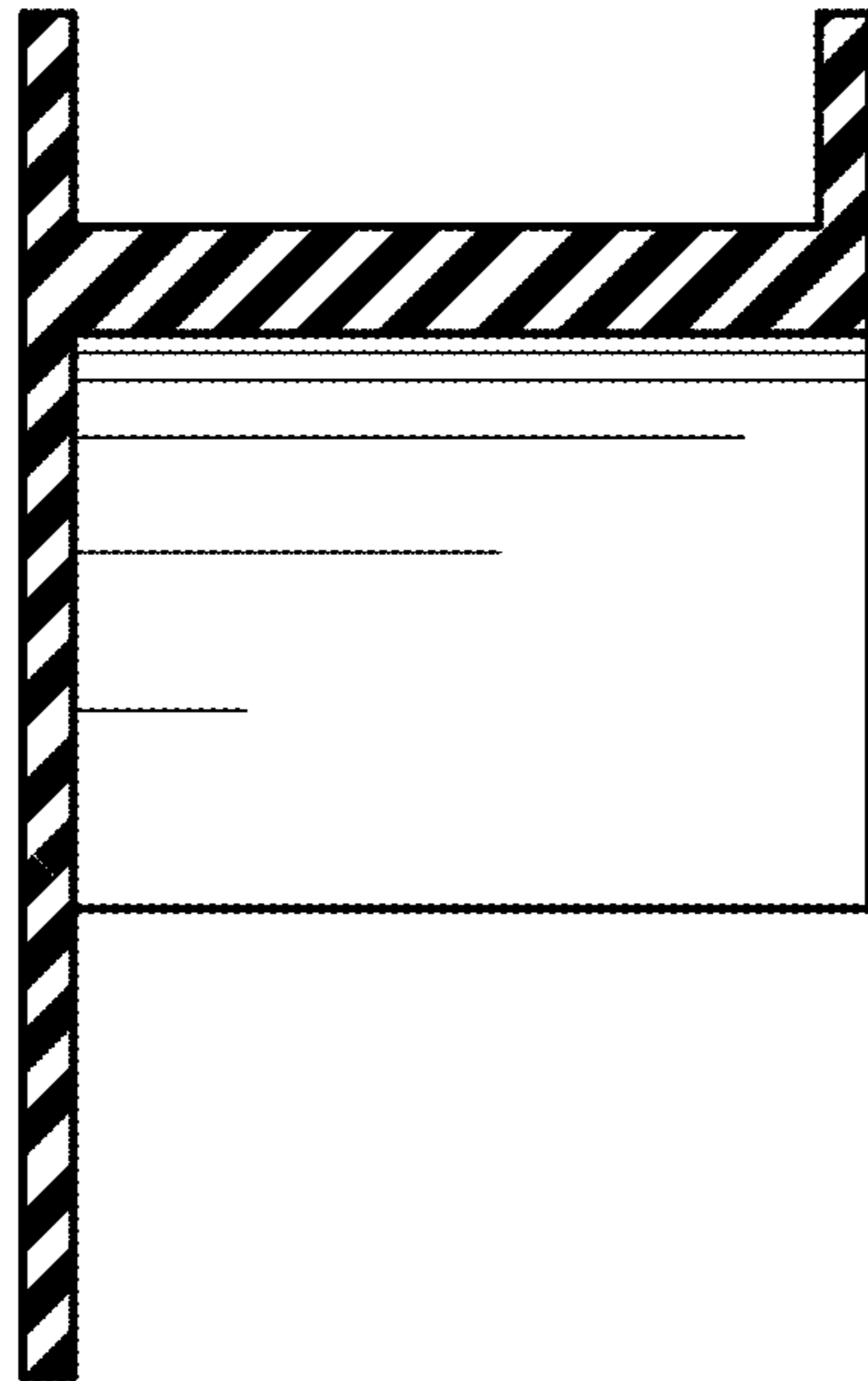


FIG. 11