



US00D960449S

(12) **United States Design Patent**  
**Du**

(10) **Patent No.:** **US D960,449 S**

(45) **Date of Patent:** **\*\* Aug. 9, 2022**

(54) **HAIR STRAIGHTENING BRUSH**  
(71) Applicant: **Quzhi Hairdressing Supplies**  
**(Shenzhen) Co., Ltd, Shenzhen (CN)**

(72) Inventor: **Yufeng Du, Zaoyang (CN)**

(\*\*) Term: **15 Years**

(21) Appl. No.: **29/790,319**

(22) Filed: **Nov. 18, 2021**

(51) **LOC (13) Cl.** ..... **28-03**

(52) **U.S. Cl.**  
USPC ..... **D28/35; D4/100**

(58) **Field of Classification Search**  
USPC ..... D4/100, 102, 117, 121, 127, 128, 130,  
D4/131, 132, 133, 134, 135, 136, 138,  
D4/199; D28/24, 25, 26, 28, 30, 35  
CPC .. A46B 5/02; A46B 9/02; A46B 9/023; A46B  
13/02; A46B 2200/104; A46B 15/003;  
A46B 15/0022; A46B 15/0051  
See application file for complete search history.

(56) **References Cited**

**U.S. PATENT DOCUMENTS**

D154,542 S \* 7/1949 Hershey ..... D4/100  
D168,916 S \* 2/1953 Snyder ..... D4/136

D168,917 S \* 2/1953 Snyder ..... D4/136  
D197,696 S \* 3/1964 Vallis ..... 15/186  
D881,579 S \* 4/2020 Gao ..... D28/35  
D895,972 S \* 9/2020 Janowick ..... D28/35  
D922,773 S \* 6/2021 Zhou ..... D28/35  
2020/0268136 A1\* 8/2020 Richmond ..... A46B 9/025

**FOREIGN PATENT DOCUMENTS**

CN 304083882 \* 3/2017  
GB 9003094952-0001 \* 5/2016

\* cited by examiner

*Primary Examiner* — Karen E Eldridge Powers

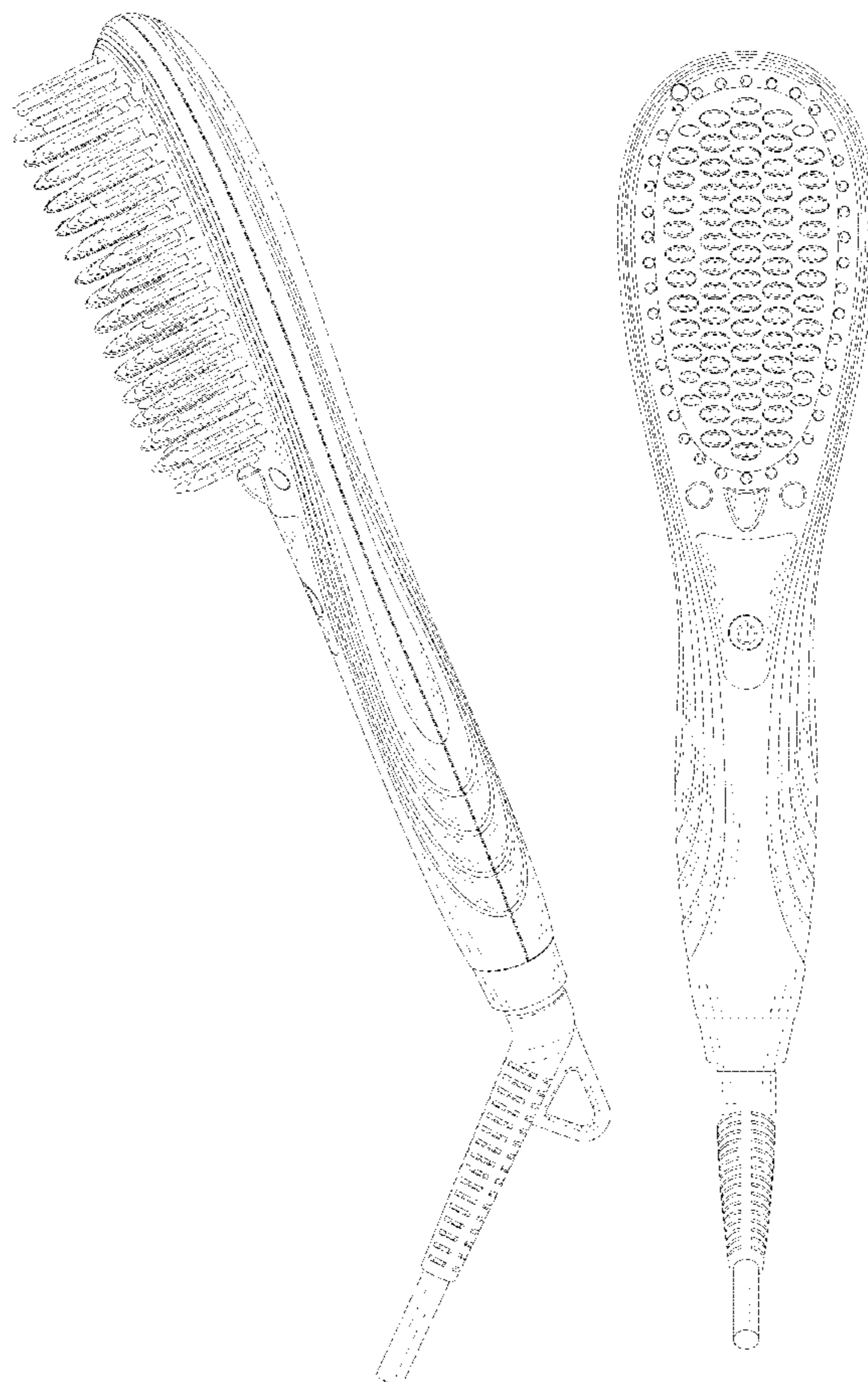
(57) **CLAIM**

The ornamental design for a hair straightening brush, as shown and described.

**DESCRIPTION**

FIG. 1 is a top, front and right side perspective view of a hair straightening brush showing my new design; FIG. 2 is a front elevation view thereof; FIG. 3 is a rear elevation view thereof; FIG. 4 is a left side elevation view thereof; FIG. 5 is a right side elevation view thereof; FIG. 6 is a top plan view thereof; and, FIG. 7 is a bottom plan view thereof.

**1 Claim, 7 Drawing Sheets**



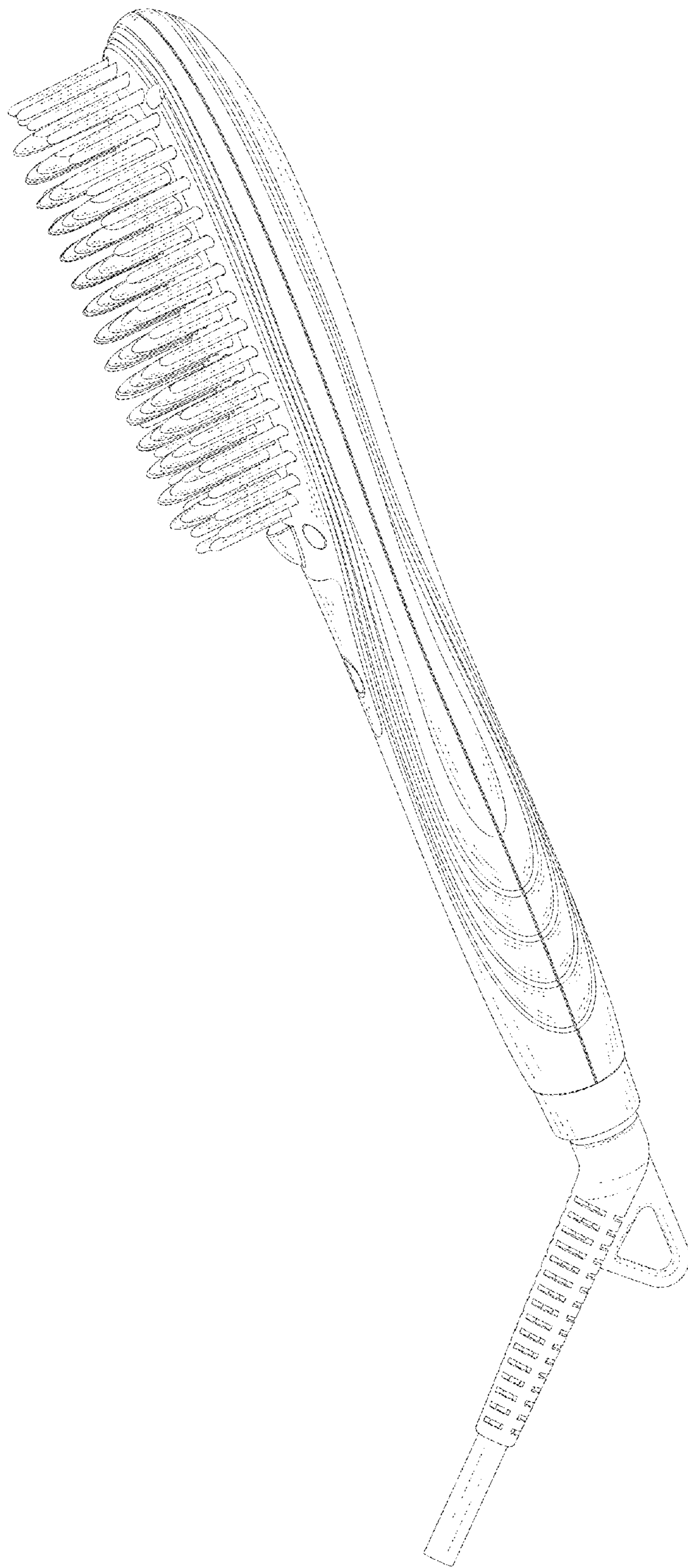


FIG. 1

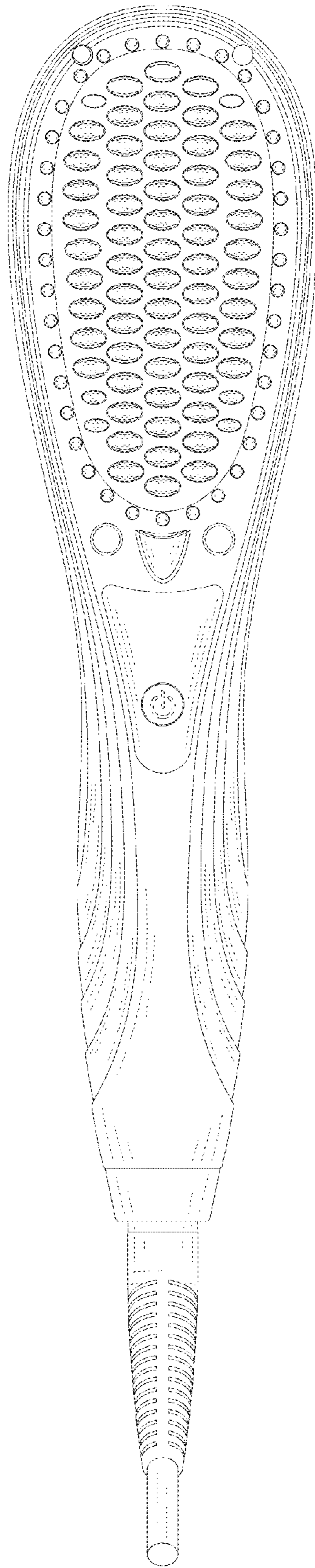


FIG. 2

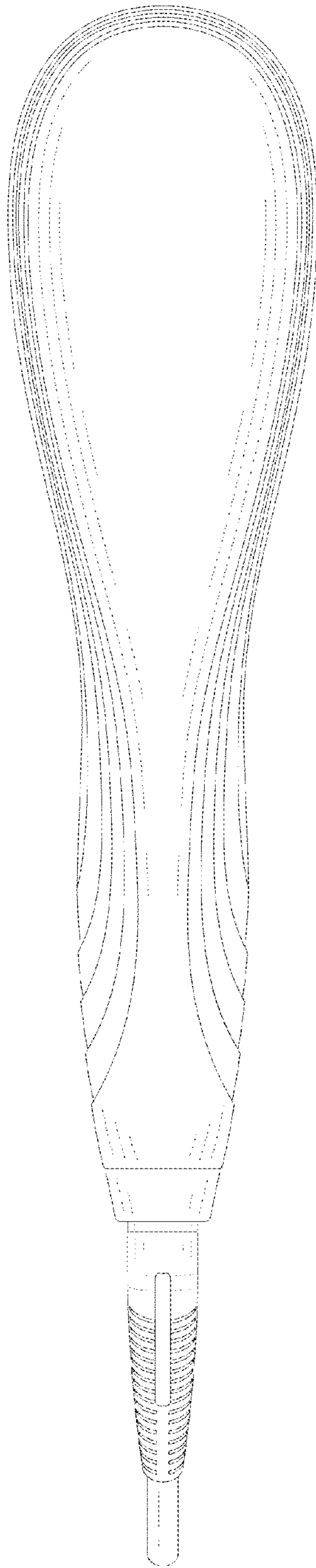


FIG. 3

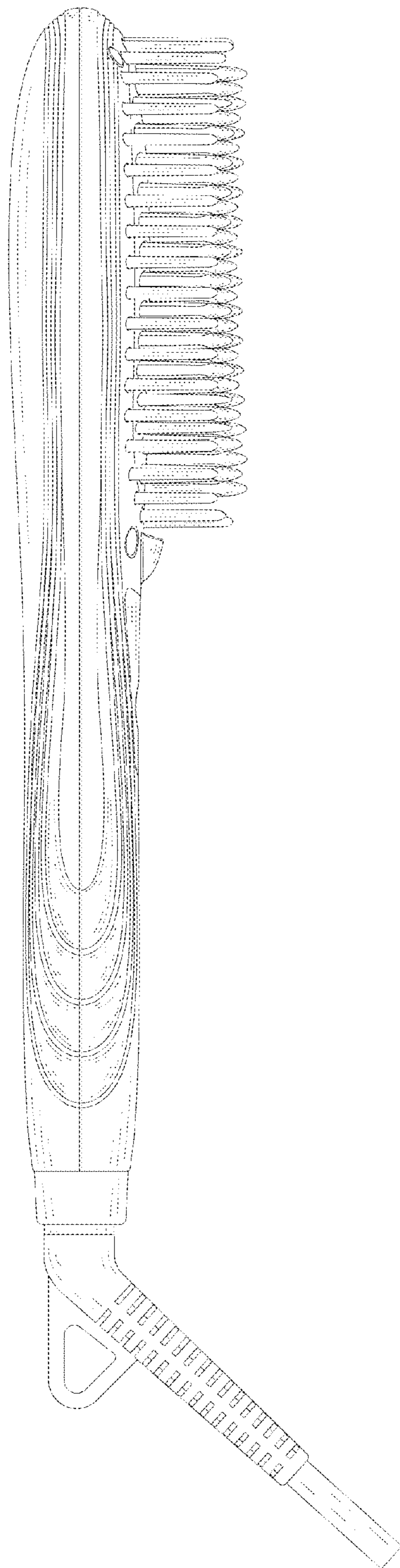


FIG. 4

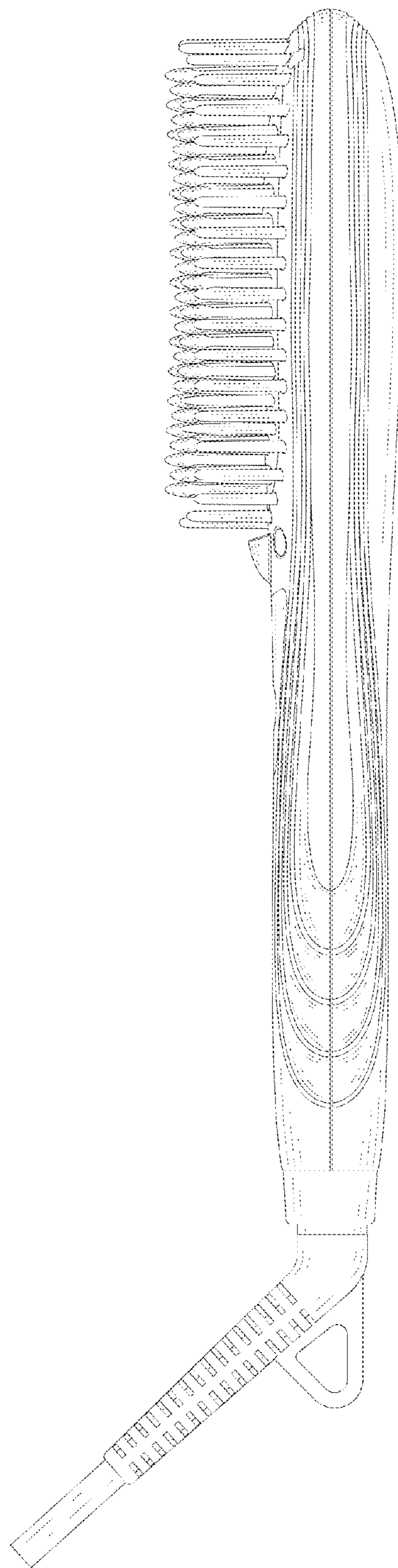


FIG. 5

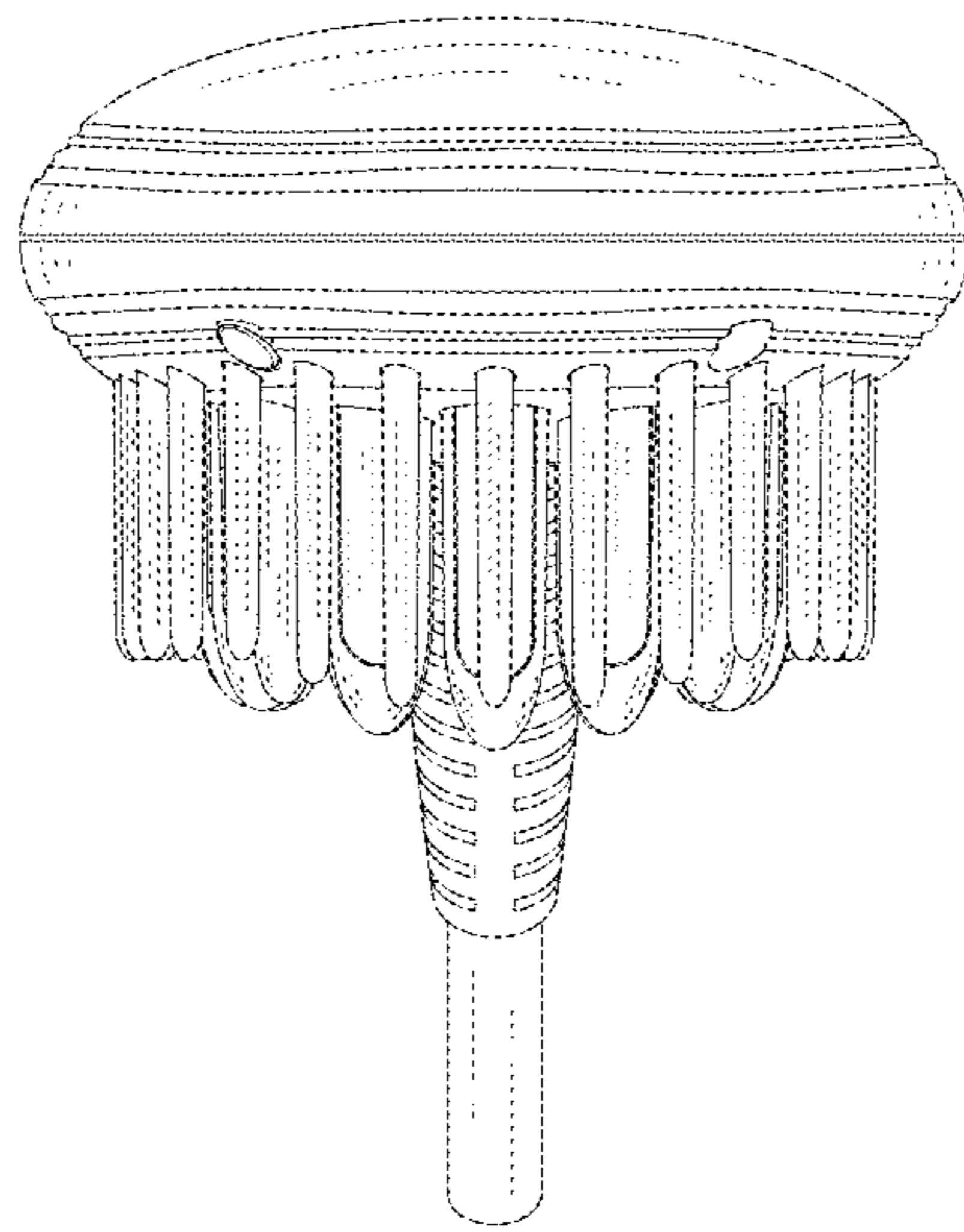


FIG. 6

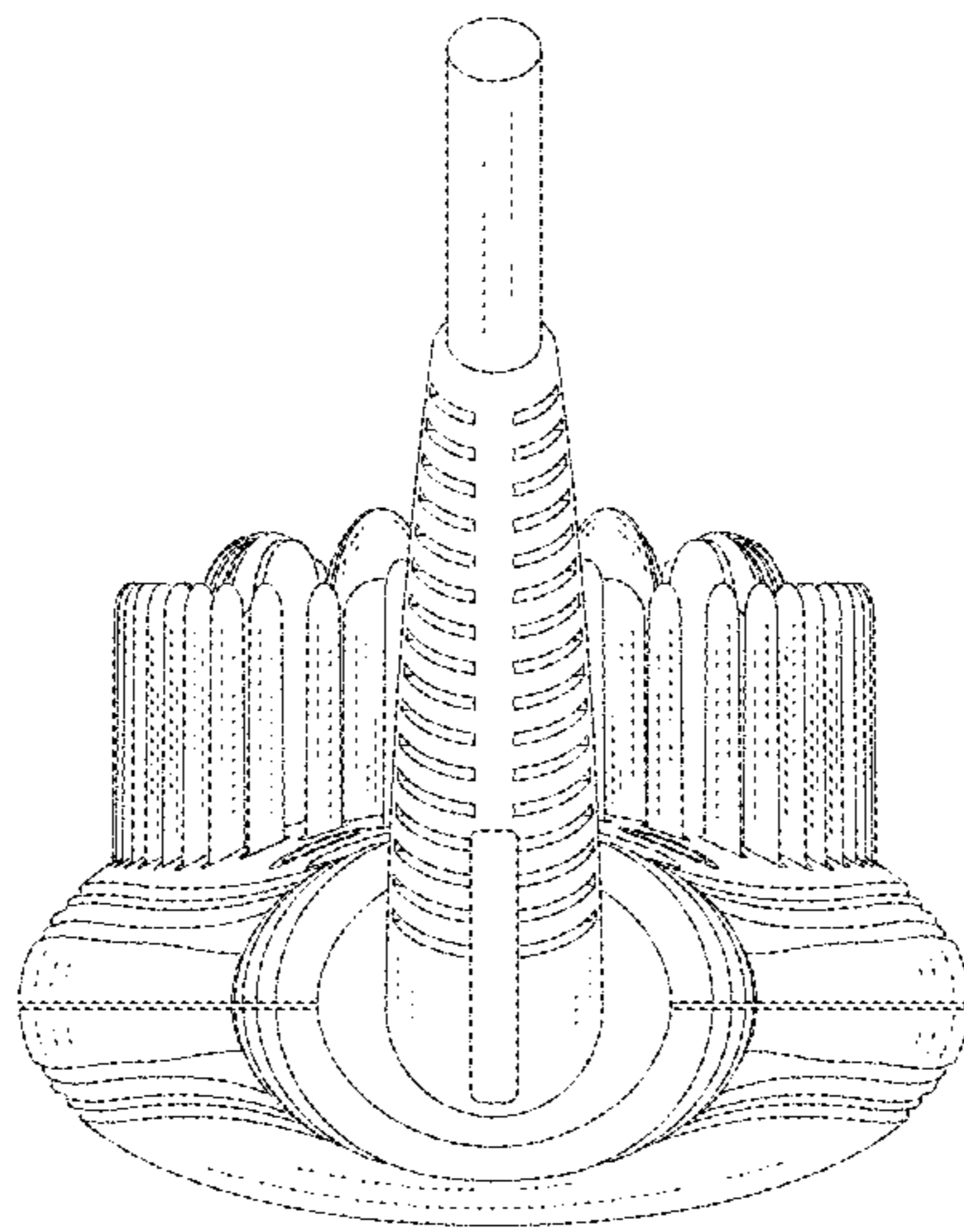


FIG. 7