



US00D960447S

(12) **United States Design Patent**
Carter

(10) **Patent No.:** **US D960,447 S**

(45) **Date of Patent:** **** Aug. 9, 2022**

(54) **HAIR COLORANT ROOT TOUCH-UP CLIP**

(71) Applicant: **Constance P. Carter**, Naples, FL (US)

(72) Inventor: **Constance P. Carter**, Naples, FL (US)

(**) Term: **15 Years**

(21) Appl. No.: **29/814,273**

(22) Filed: **Nov. 4, 2021**

(51) **LOC (13) Cl.** **28-03**

(52) **U.S. Cl.**
USPC **D28/20**

(58) **Field of Classification Search**
USPC D28/7, 9, 20, 40, 42, 44
CPC . A45D 8/00; A45D 8/002; A45D 8/14; A45D
8/16; A45D 8/18; A45D 8/20; A45D
8/22; A45D 8/24; A45D 8/30; A45D
19/012; A45D 19/024
See application file for complete search history.

(56) **References Cited**

U.S. PATENT DOCUMENTS

4,108,184	A	8/1978	Morganroth	
4,398,549	A	8/1983	Thomas	
4,942,893	A	7/1990	Trottier	
D393,927	S *	4/1998	Chou	D28/42
6,425,402	B1	7/2002	Lunde	
7,021,317	B1	4/2006	Nathaniel	
D640,829	S *	6/2011	Tsai	D28/40
D705,987	S *	5/2014	Scott	D28/7
D705,988	S *	5/2014	Scott	D28/7
D782,110	S *	3/2017	Coffindaffer	D28/7
D848,059	S *	5/2019	Vennemeyer	D28/7
D857,293	S *	8/2019	Kim	D28/40
D925,123	S *	7/2021	Hinds	D28/40
D943,825	S *	2/2022	Vennemeyer	D28/7
D943,826	S *	2/2022	Vennemeyer	D28/7
2008/0087294	A1	4/2008	Glenn et al.	

2008/0257370	A1	10/2008	Perry
2018/0064225	A1	3/2018	Simonson
2020/0146415	A1	5/2020	Spataro

FOREIGN PATENT DOCUMENTS

EP	1062891	B1	3/2003
JP	2006217931	A	8/2006

* cited by examiner

Primary Examiner — Zenia I Bennett

(74) *Attorney, Agent, or Firm* — Lesley A. Wallerstein, LLC

(57) **CLAIM**

The ornamental design for a hair colorant root touch-up clip, as shown and described.

DESCRIPTION

FIG. 1 is a top, front, right perspective view of a hair colorant root touch-up clip in a closed configuration, according to the present invention.

FIG. 2 is a right view of the hair colorant root touch-up clip of FIG. 1.

FIG. 3 is a left view of the hair colorant root touch-up clip of FIG. 1.

FIG. 4 is a top view of the hair colorant root touch-up clip of FIG. 1.

FIG. 5 is a bottom view of the hair colorant root touch-up clip of FIG. 1.

FIG. 6 is a front view of the hair colorant root touch-up clip of FIG. 1.

FIG. 7 is a rear view of the hair colorant root touch-up clip of FIG. 1; and,

FIG. 8 is a top, front, right perspective view of the hair colorant root touch-up clip of FIG. 1, in an open configuration.

1 Claim, 4 Drawing Sheets

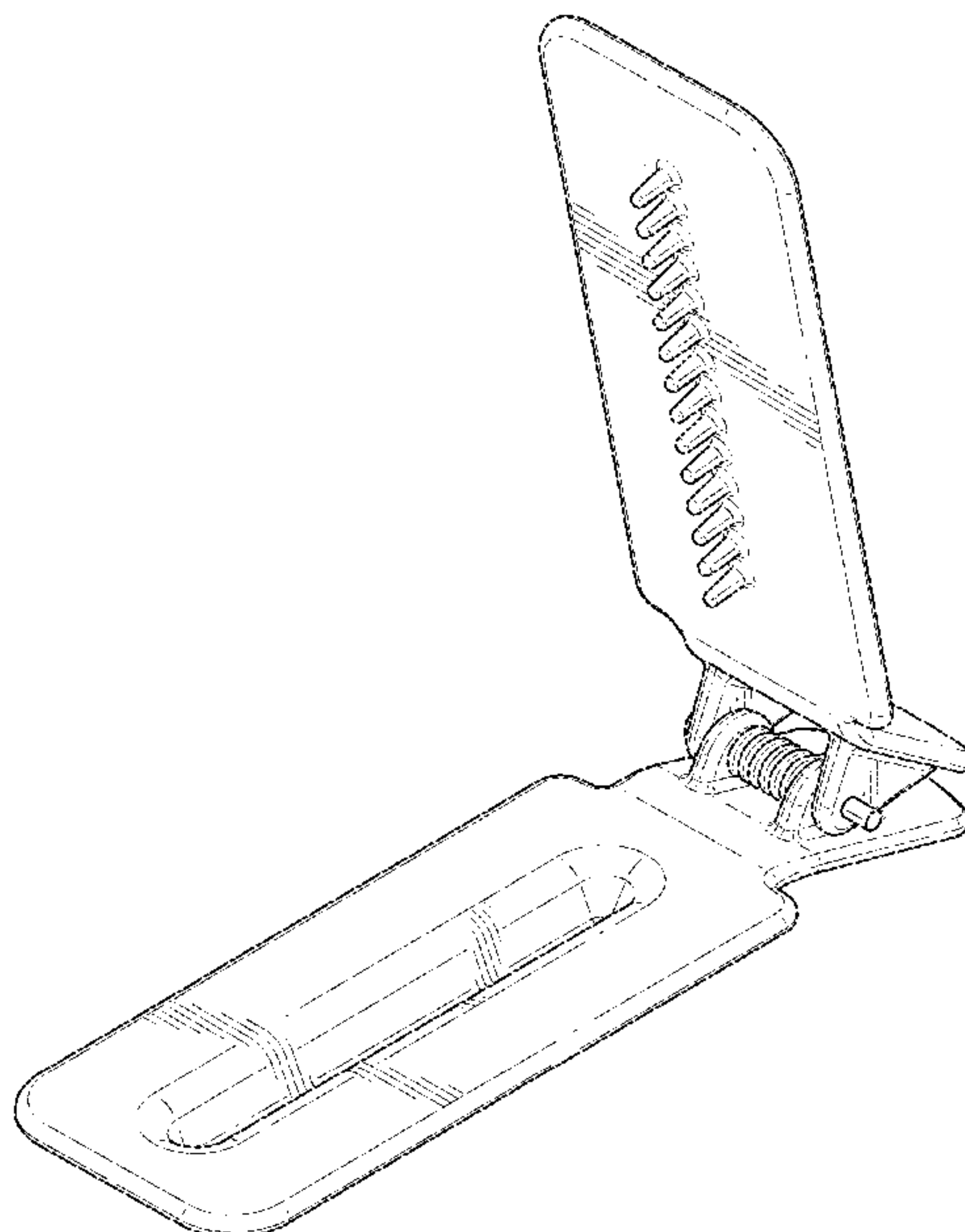


FIG. 1

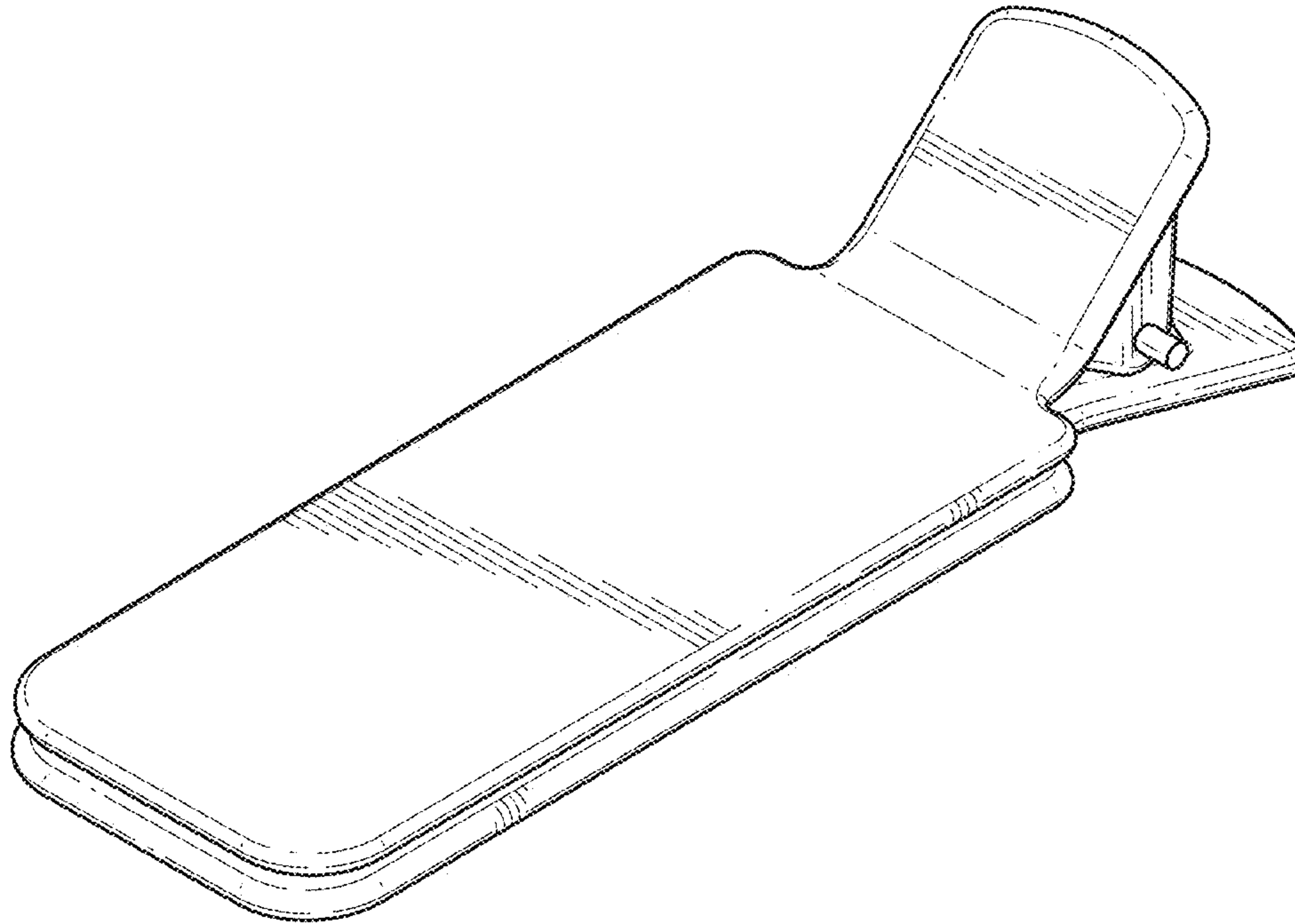


FIG. 2

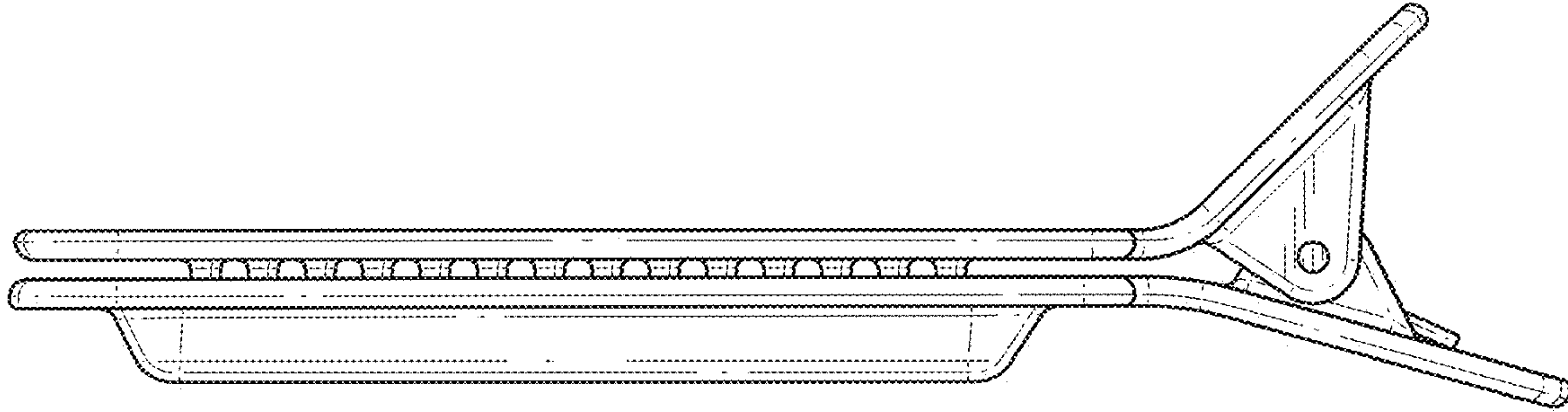


FIG. 3

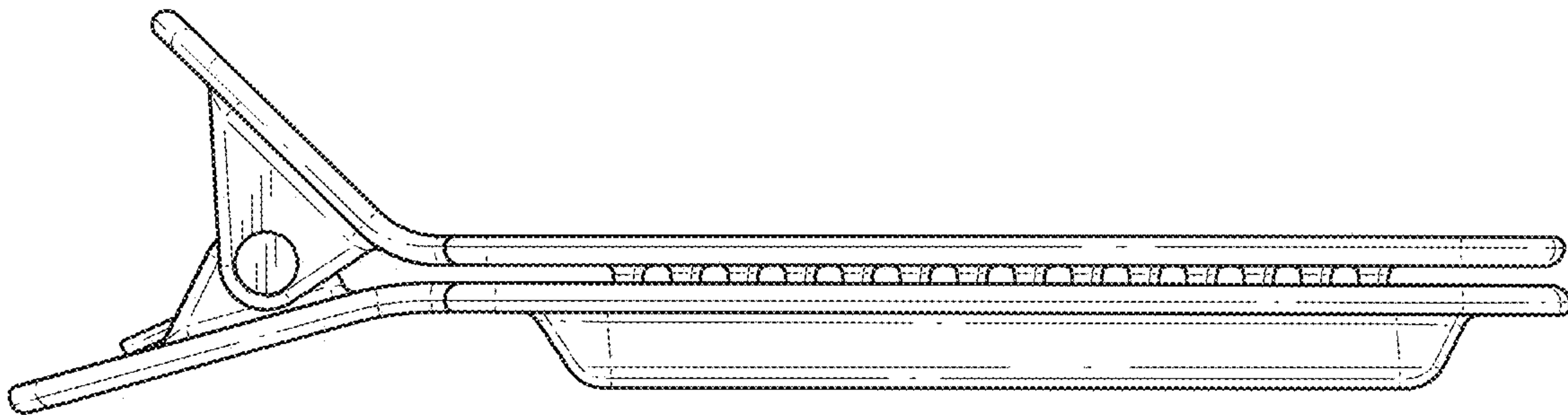


FIG. 4

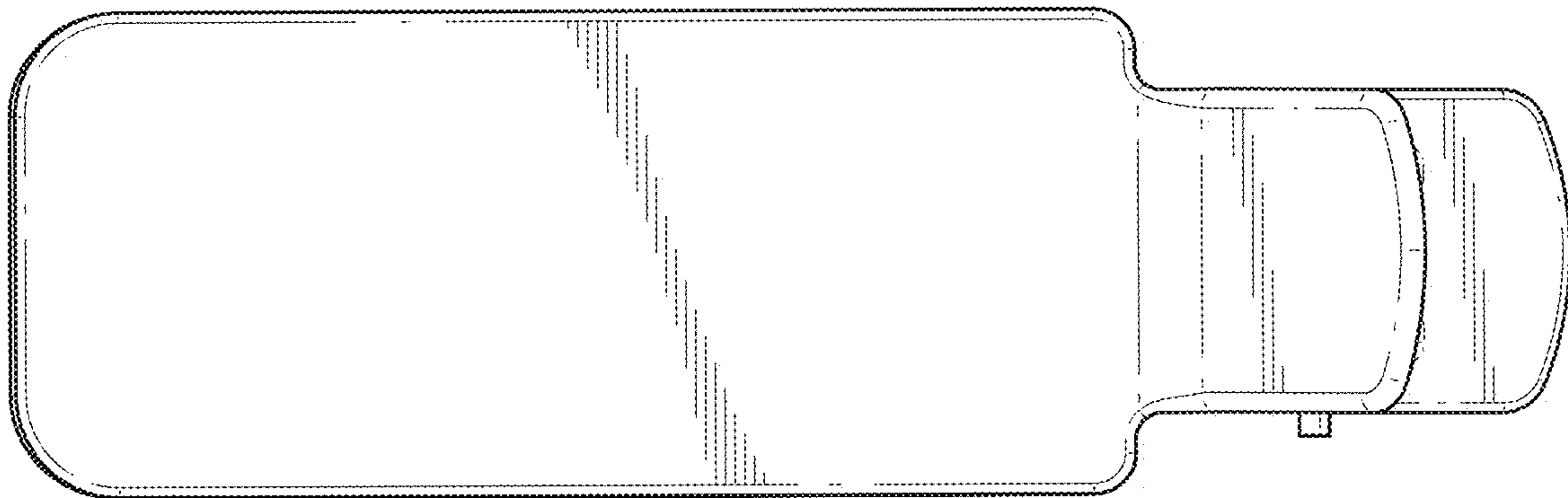


FIG. 5

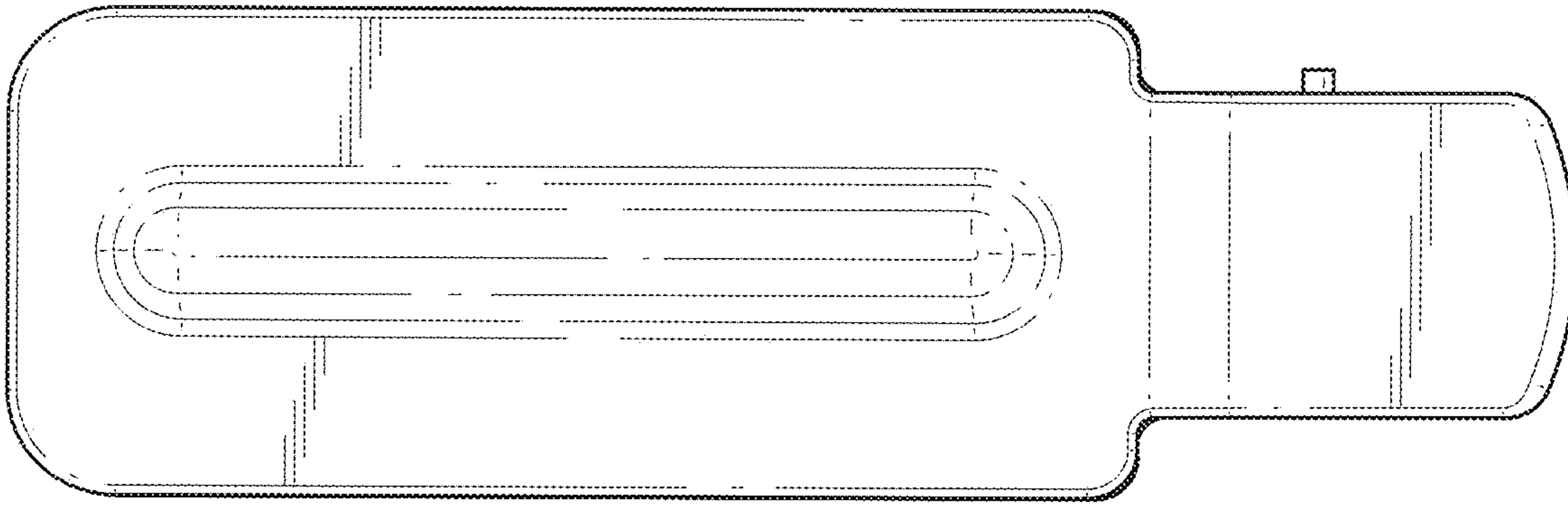


FIG. 6

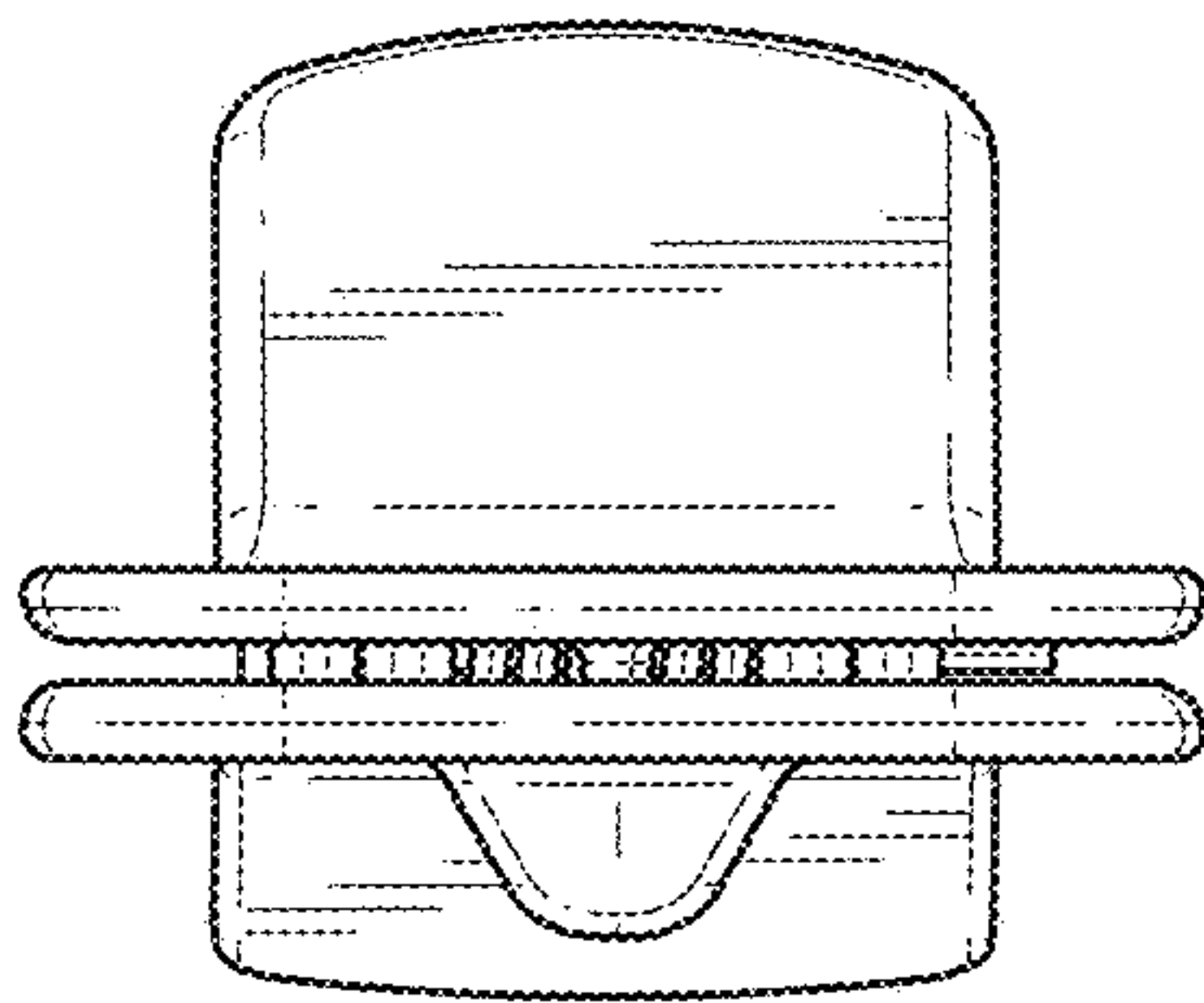


FIG. 7

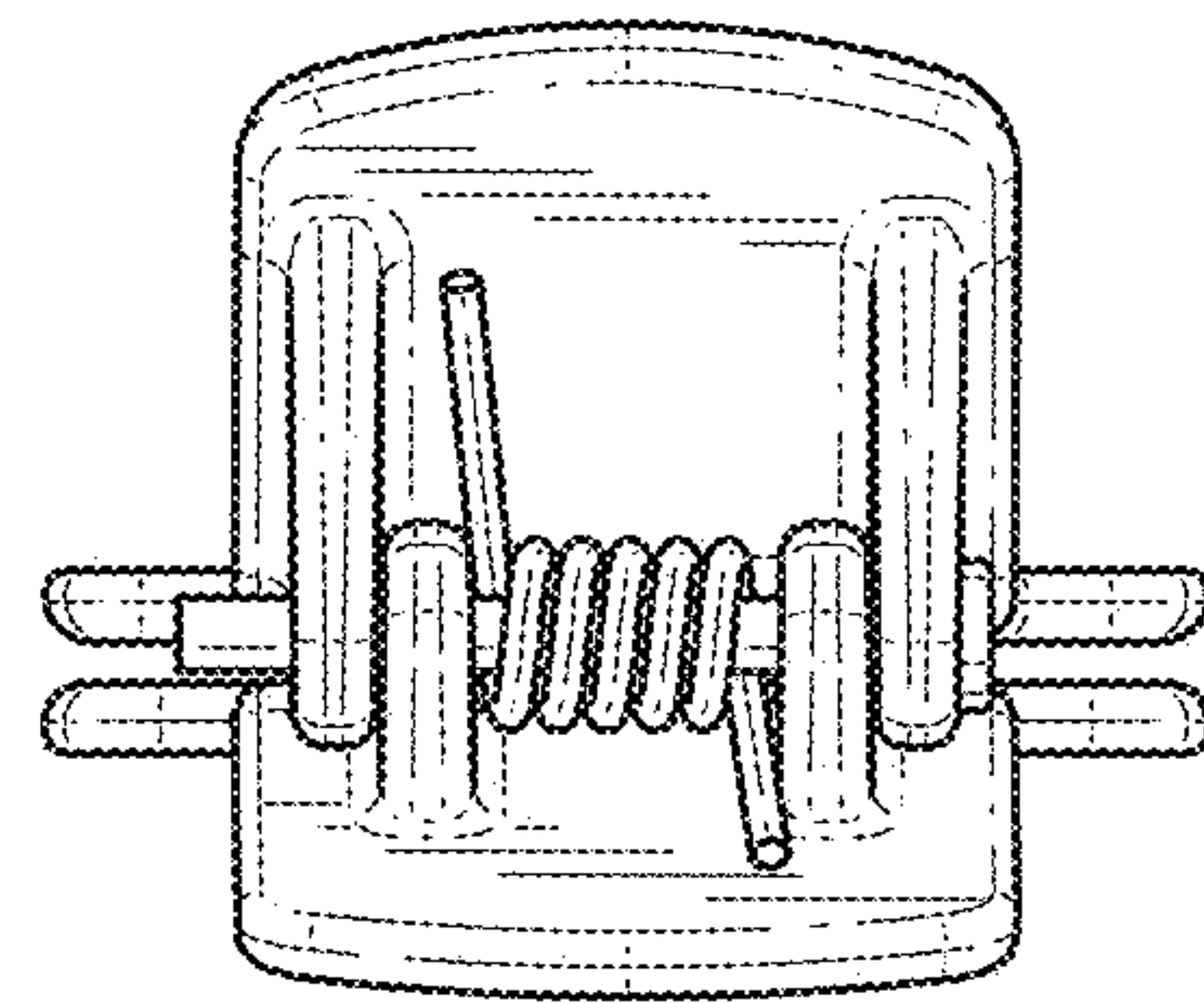


FIG. 8

