

US00D960444S

(12) **United States Design Patent** (10) **Patent No.:** **US D960,444 S**
Yang (45) **Date of Patent:** **** Aug. 9, 2022**

(54) **CIGAR CUTTER**

OTHER PUBLICATIONS

(71) Applicant: **Li Yang**, GuiZhou Province (CN)

Cigar cutter By: Tobargar found on Amazon Nov. 16, 2021 <https://www.amazon.com/Tobargar-Cutter-Stainless-Exquisite-Silver/dp/B0838J9230/ref=sr> Mar. 20, 2020.*

(72) Inventor: **Li Yang**, GuiZhou Province (CN)

(**) Term: **15 Years**

* cited by examiner

(21) Appl. No.: **29/778,340**

Primary Examiner — Rebecca Tsehaye

(22) Filed: **Apr. 13, 2021**

(51) **LOC (13) Cl.** **27-99**

(57) **CLAIM**

(52) **U.S. Cl.**

The ornamental design for a cigar cutter, as shown and described.

USPC **D27/195**

(58) **Field of Classification Search**

DESCRIPTION

USPC D27/195, 194, 183; D8/98, 99, 100, 105,
D8/51, 52, 57, 60

CPC A24F 13/24; A24F 13/18; A24F 13/20;
A24F 13/22; A24F 13/26

See application file for complete search history.

FIG. 1 is a front and top perspective view of a cigar cutter, showing my new design;
FIG. 2 is a rear and bottom perspective view thereof;
FIG. 3 is a front elevation view thereof;
FIG. 4 is a rear elevation view thereof;
FIG. 5 is a left side elevation view thereof;
FIG. 6 is a right side elevation view thereof;
FIG. 7 is a top plan view thereof;
FIG. 8 is a bottom plan view thereof;
FIG. 9 is an enlarged view of a portion indicated with numeric 9 in FIG. 5; and,
FIG. 10 is an enlarged view of a portion indicated with numeric 10 in FIG. 8.

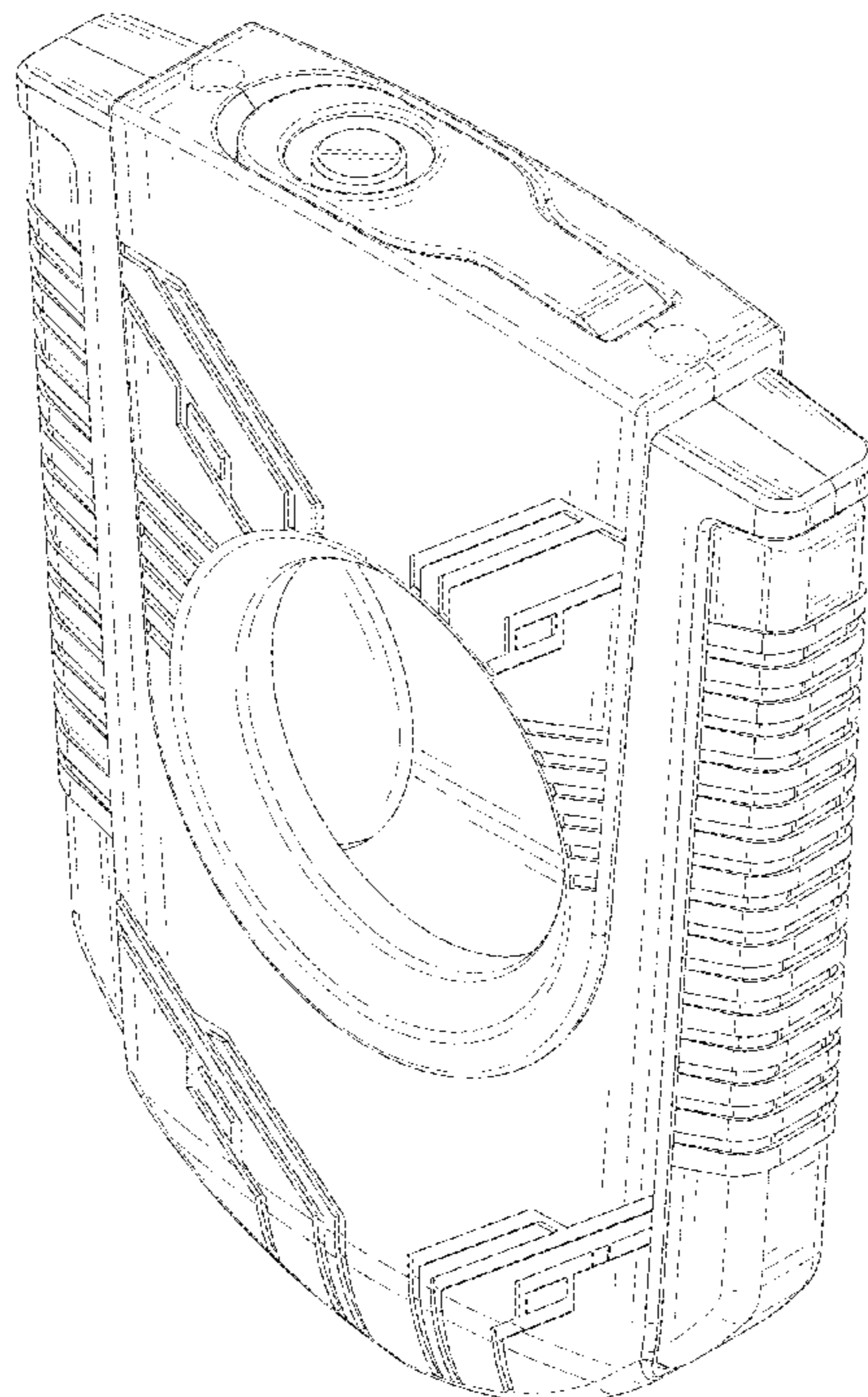
(56) **References Cited**

U.S. PATENT DOCUMENTS

5,888,061	A *	3/1999	Reynolds	A24F 13/24 431/253
D451,635	S *	12/2001	Smith	D27/143
D467,033	S *	12/2002	Smith	D27/143
D469,920	S *	2/2003	Hong	D27/143
6,875,013	B2 *	4/2005	Smith	A24F 13/26 131/248
D622,903	S *	8/2010	An	D27/195
D630,794	S *	1/2011	Cohen Harel	D27/195
7,861,727	B1 *	1/2011	Jones	A24F 13/26 131/253
D698,993	S *	2/2014	Sharif	D27/195
D757,359	S *	5/2016	Van Keppel	D27/195
D758,005	S *	5/2016	Lance et al.	
D853,024	S *	7/2019	Almsberger	D27/195

The broken lines in the drawings depict portions of the cigar cutter that form no part of the claimed design. The dash dot dash lines in FIGS. 5, 8, 9 and 10 are for the purpose of depicting the boundary lines of the enlarged view and form no part of the claimed design.

1 Claim, 10 Drawing Sheets



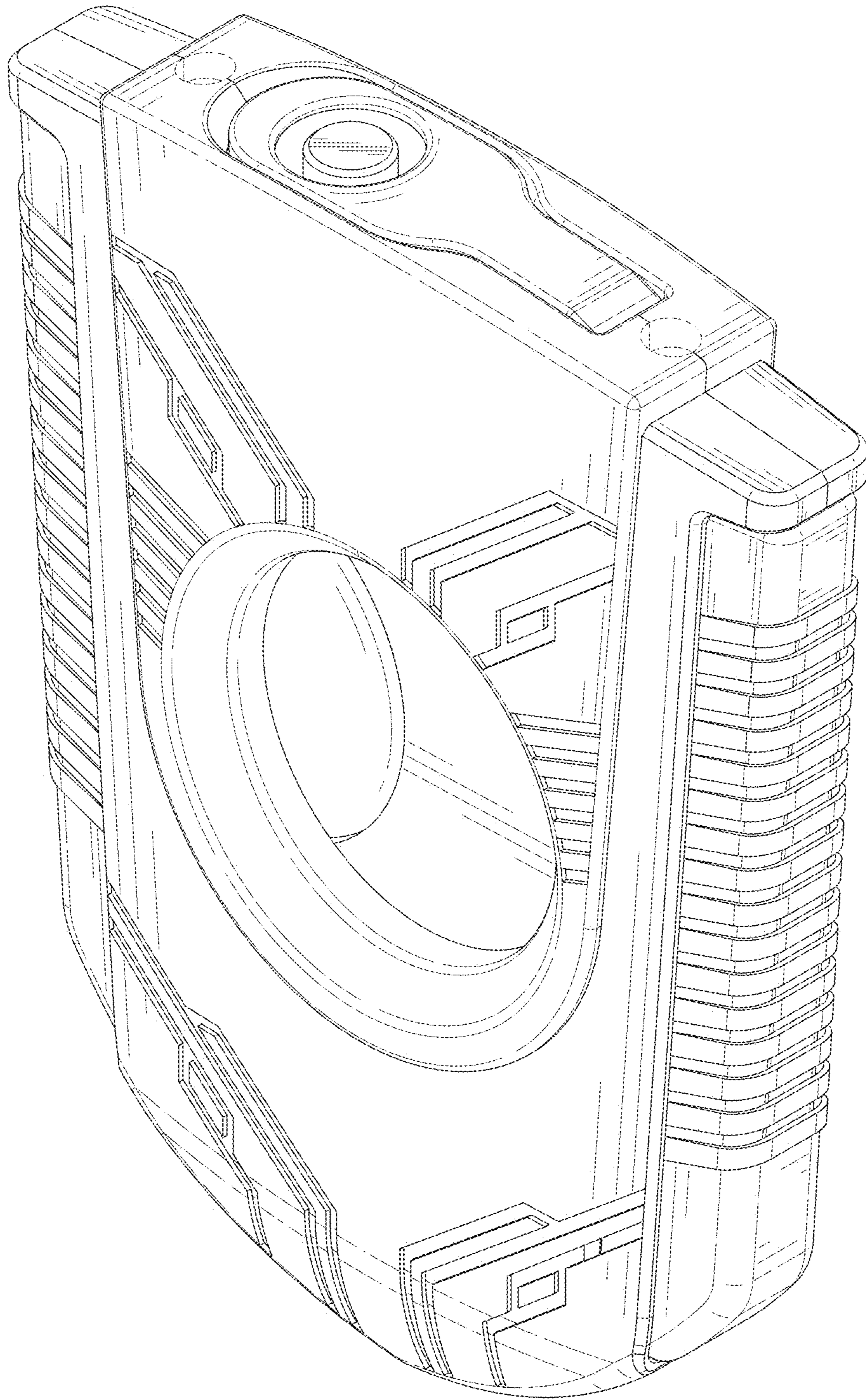


FIG. 1

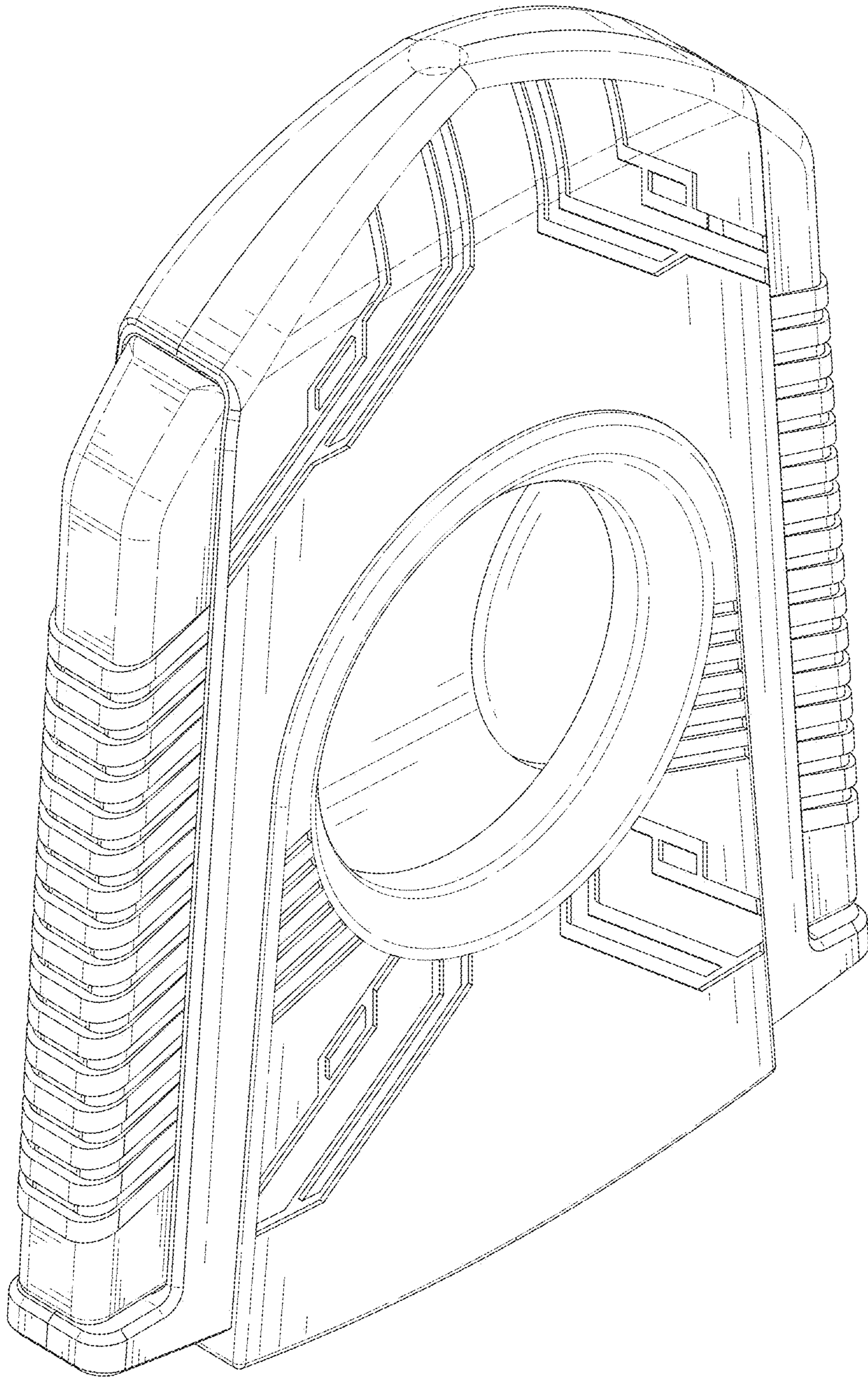


FIG. 2

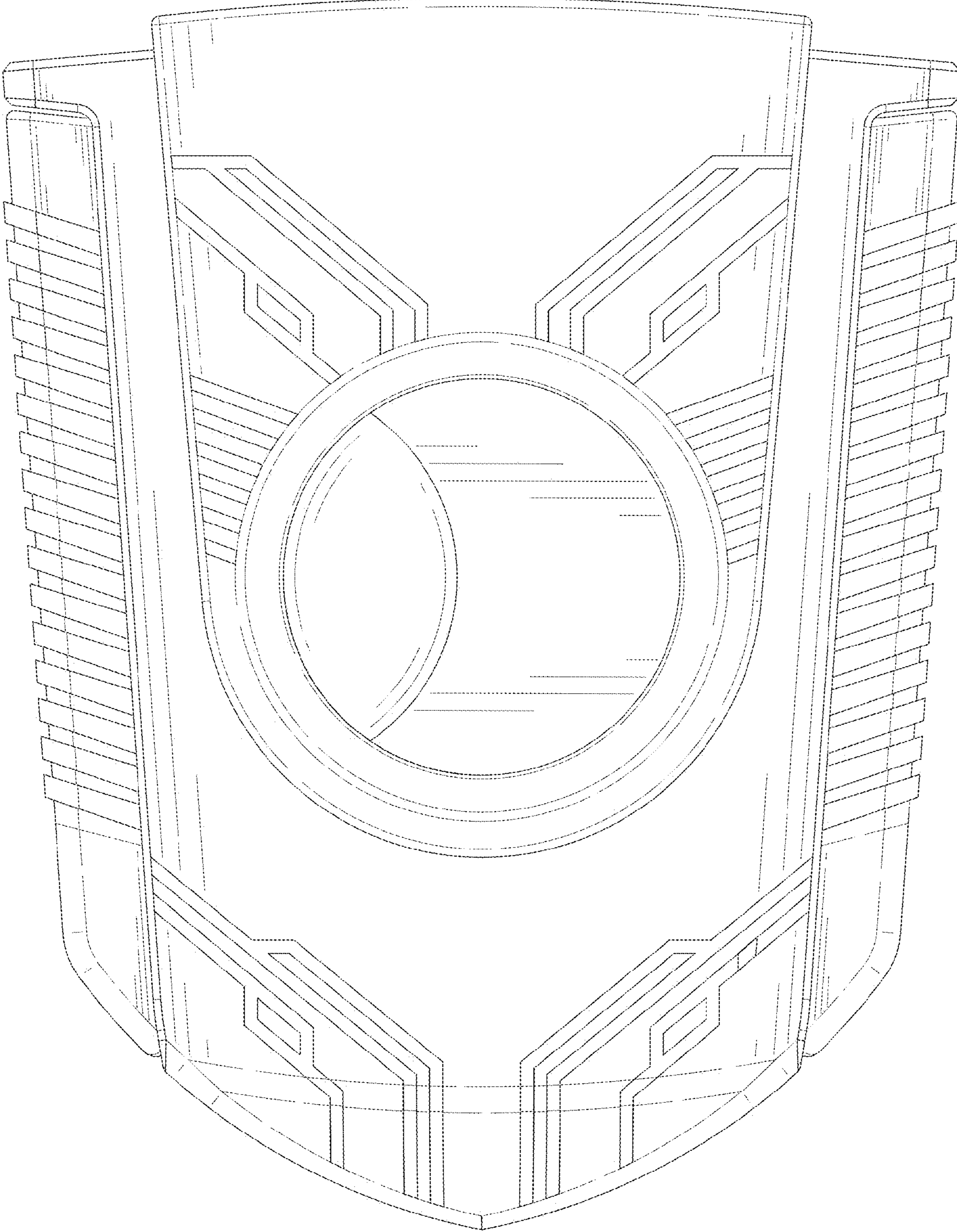


FIG. 3

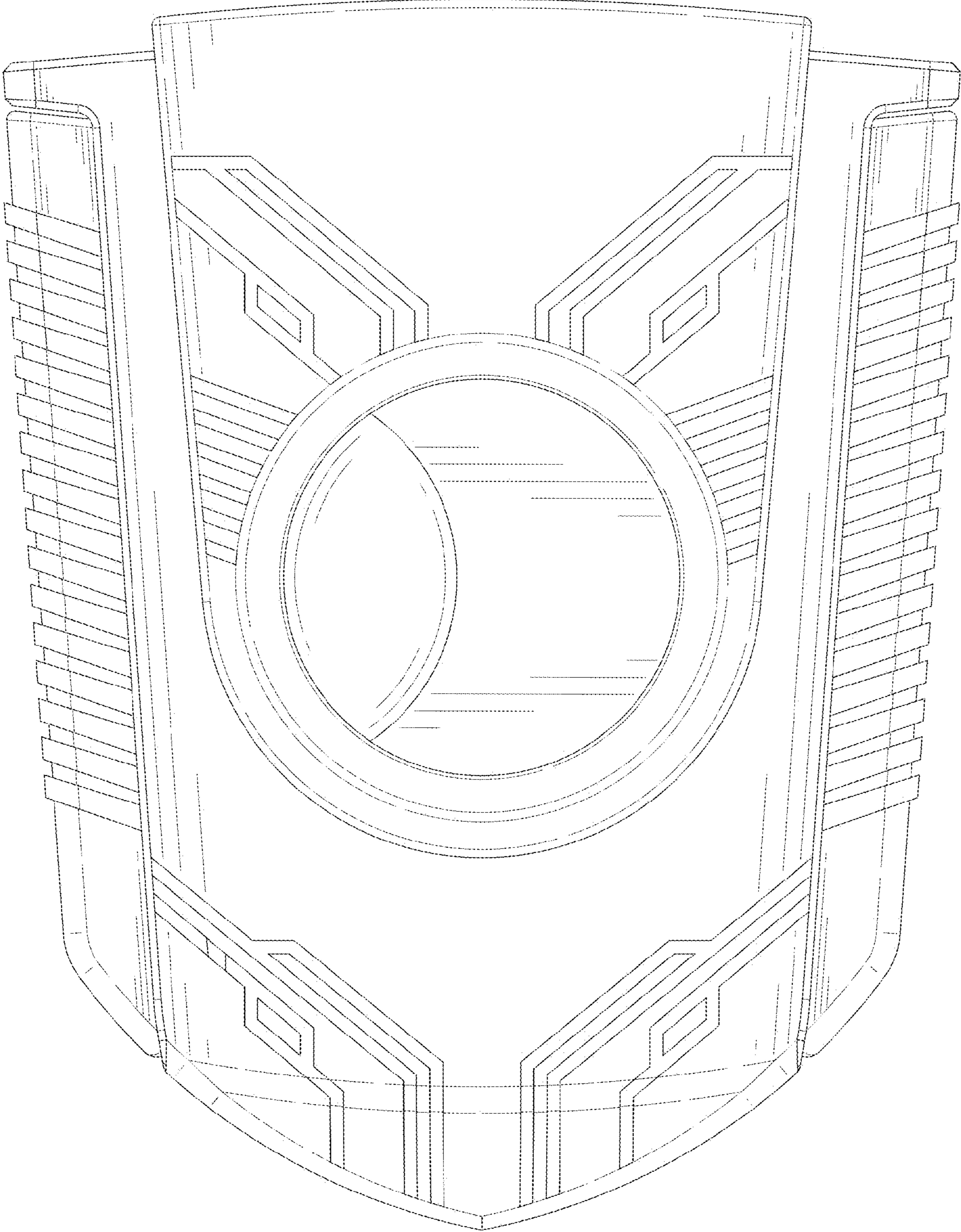


FIG. 4

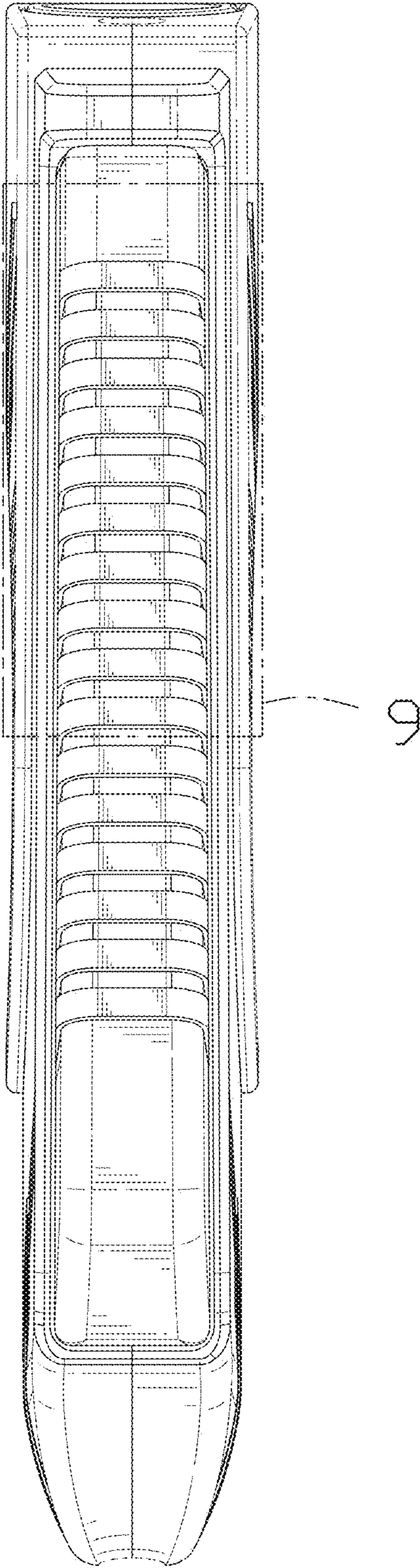


FIG. 5

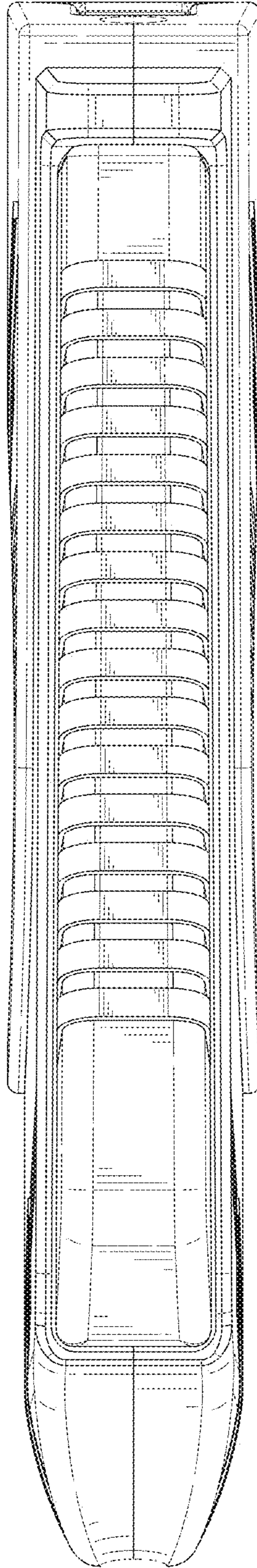


FIG. 6

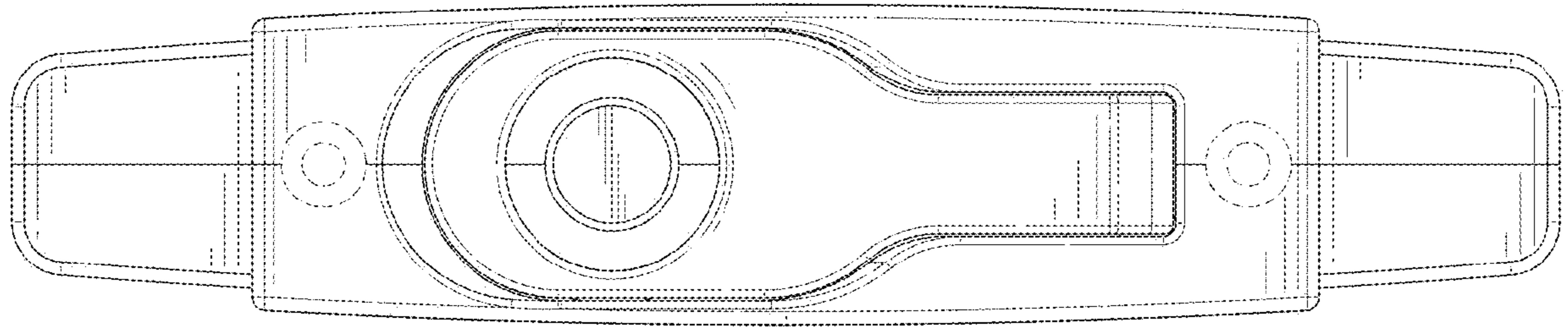


FIG. 7

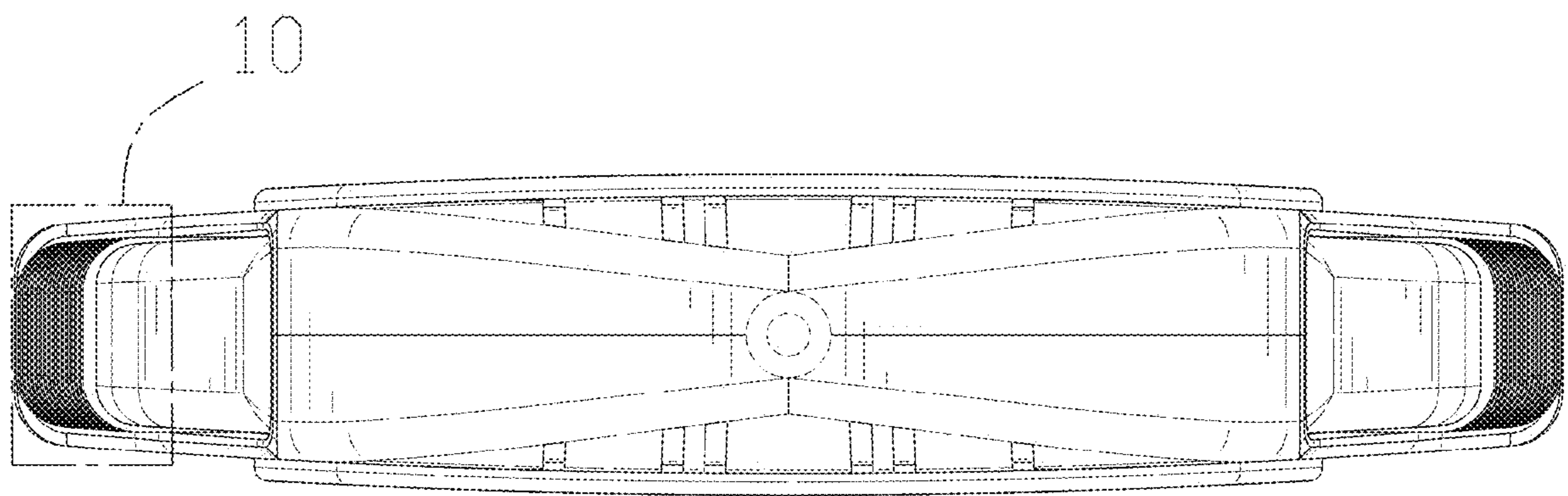


FIG. 8

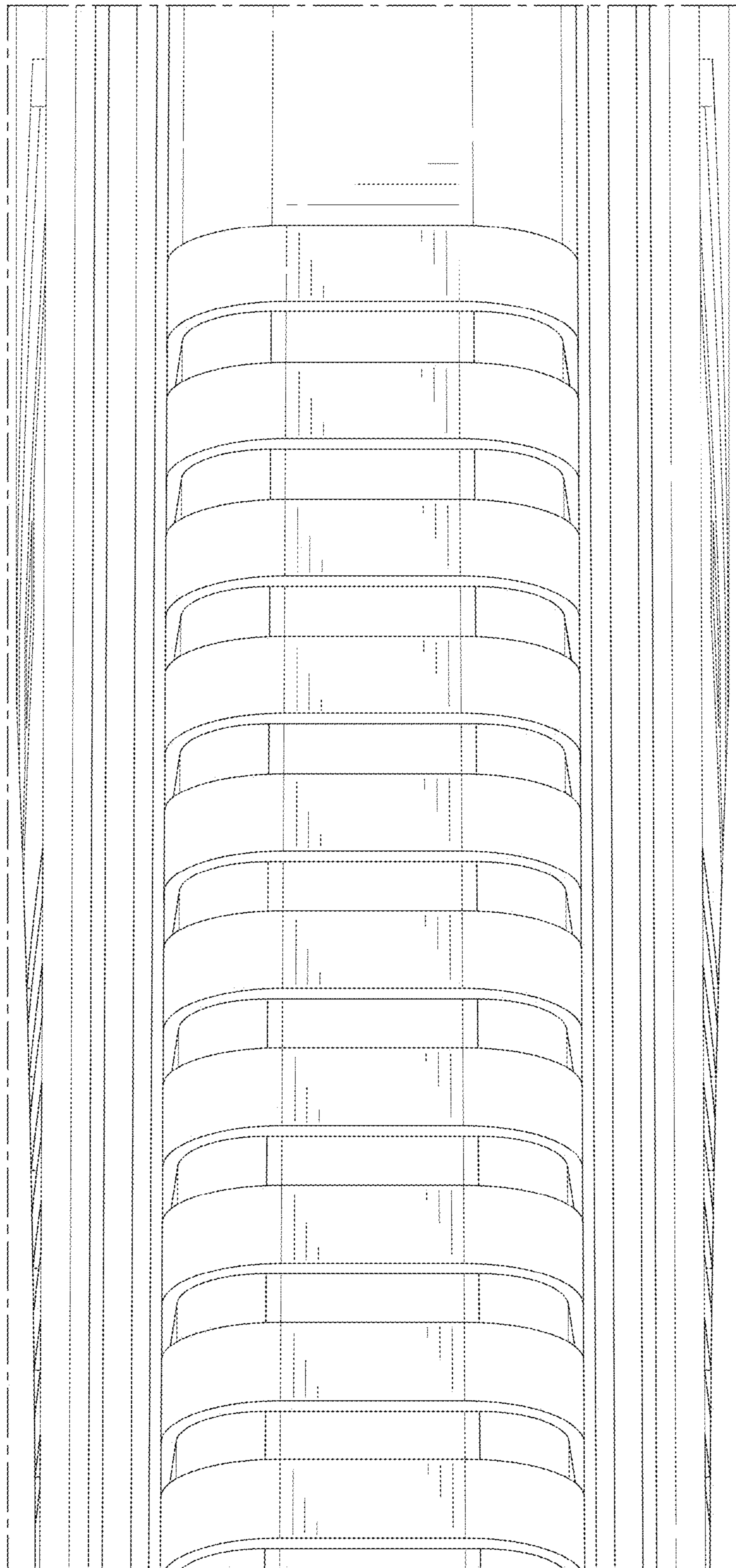


FIG. 9

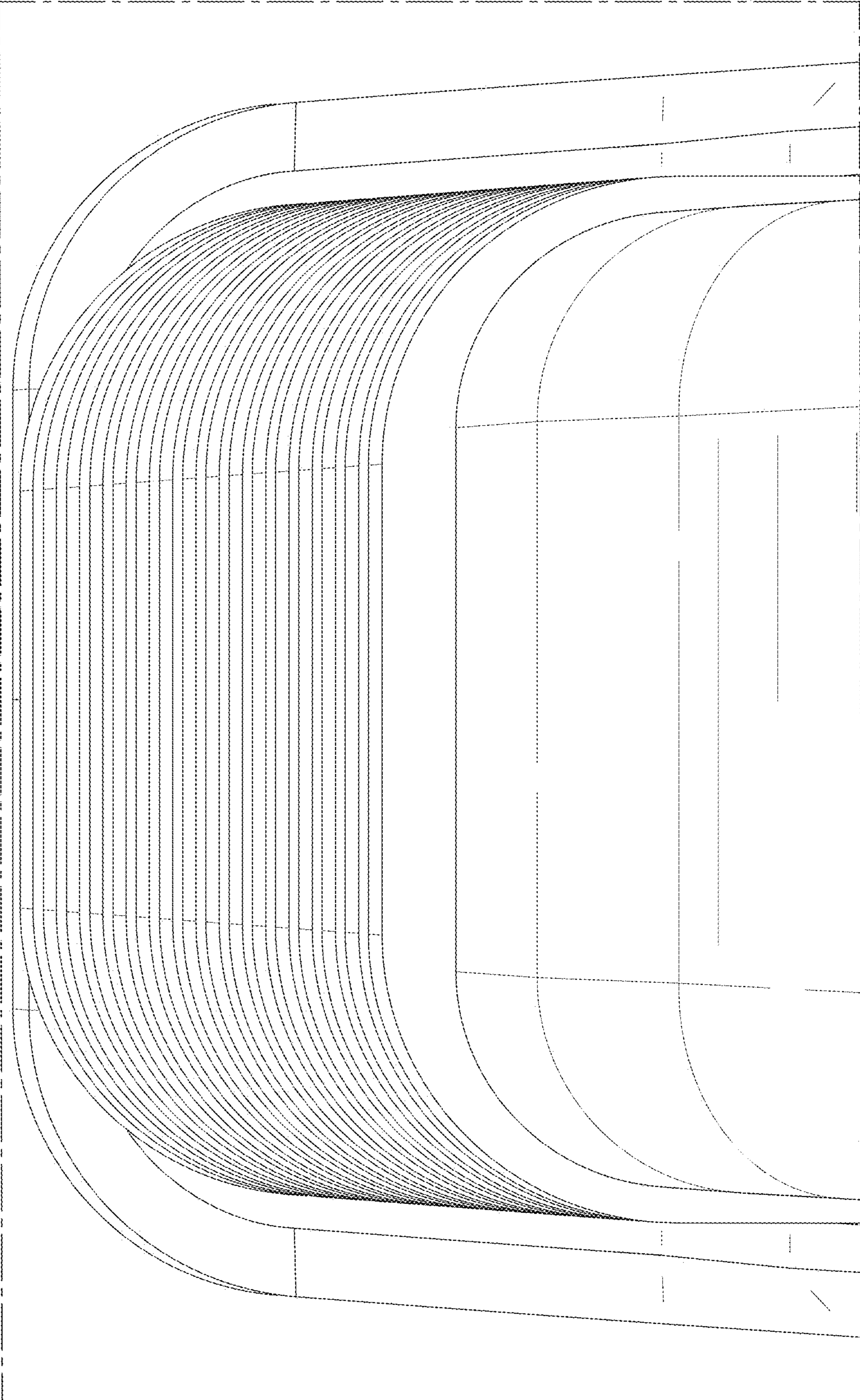


FIG. 10