

US00D960443S

(12) **United States Design Patent** (10) **Patent No.:** **US D960,443 S**  
**Liu** (45) **Date of Patent:** **\*\* Aug. 9, 2022**

(54) **ATOMIZER FOR ELECTRONIC CIGARETTE**

(71) Applicant: **Shenzhen Eigate Technology Co., Ltd.**, Shenzhen (CN)

(72) Inventor: **Tuanfang Liu**, Shenzhen (CN)

(73) Assignee: **SHENZHEN EIGATE TECHNOLOGY CO., LTD.**, Shenzhen (CN)

(\*\*) Term: **15 Years**

(21) Appl. No.: **29/775,275**

(22) Filed: **Mar. 22, 2021**

(30) **Foreign Application Priority Data**

Sep. 25, 2020 (CN) ..... 202030575495.7

(51) **LOC (13) Cl.** ..... **27-02**

(52) **U.S. Cl.**  
USPC ..... **D27/162**

(58) **Field of Classification Search**  
USPC ..... D27/162, 100, 101, 163–172, 174–176,  
D27/180–194, 196; D23/360, 366;  
D24/110, 110.5; D8/72, 105, 388, 395  
CPC .... A24F 47/008; A24F 47/006; A24F 47/002;  
A24F 40/00; A24F 40/40; A24F 40/42;  
A61M 15/00; A61M 15/06  
See application file for complete search history.

(56) **References Cited**

**U.S. PATENT DOCUMENTS**

D649,285 S \* 11/2011 Maldonado ..... D27/196  
D777,372 S \* 1/2017 Liu ..... D27/167

D799,422 S \* 10/2017 Chen ..... D13/110  
D817,543 S \* 5/2018 Liu ..... D27/167  
D886,367 S \* 6/2020 Harthoorn ..... D27/194  
D908,630 S \* 1/2021 Huang ..... D13/137.2  
D927,058 S \* 8/2021 Liu ..... D27/162  
D942,939 S \* 2/2022 Bourgeois ..... D13/107  
D943,174 S \* 2/2022 Liu ..... D27/162  
D943,178 S \* 2/2022 Liu ..... D27/162  
2021/0106056 A1\* 4/2021 Liu ..... H05B 3/16  
2021/0106057 A1\* 4/2021 Liu ..... H05B 3/42

\* cited by examiner

*Primary Examiner* — Rebecca Tsehaye

(74) *Attorney, Agent, or Firm* — Matthias Scholl P.C.;  
Matthias Scholl

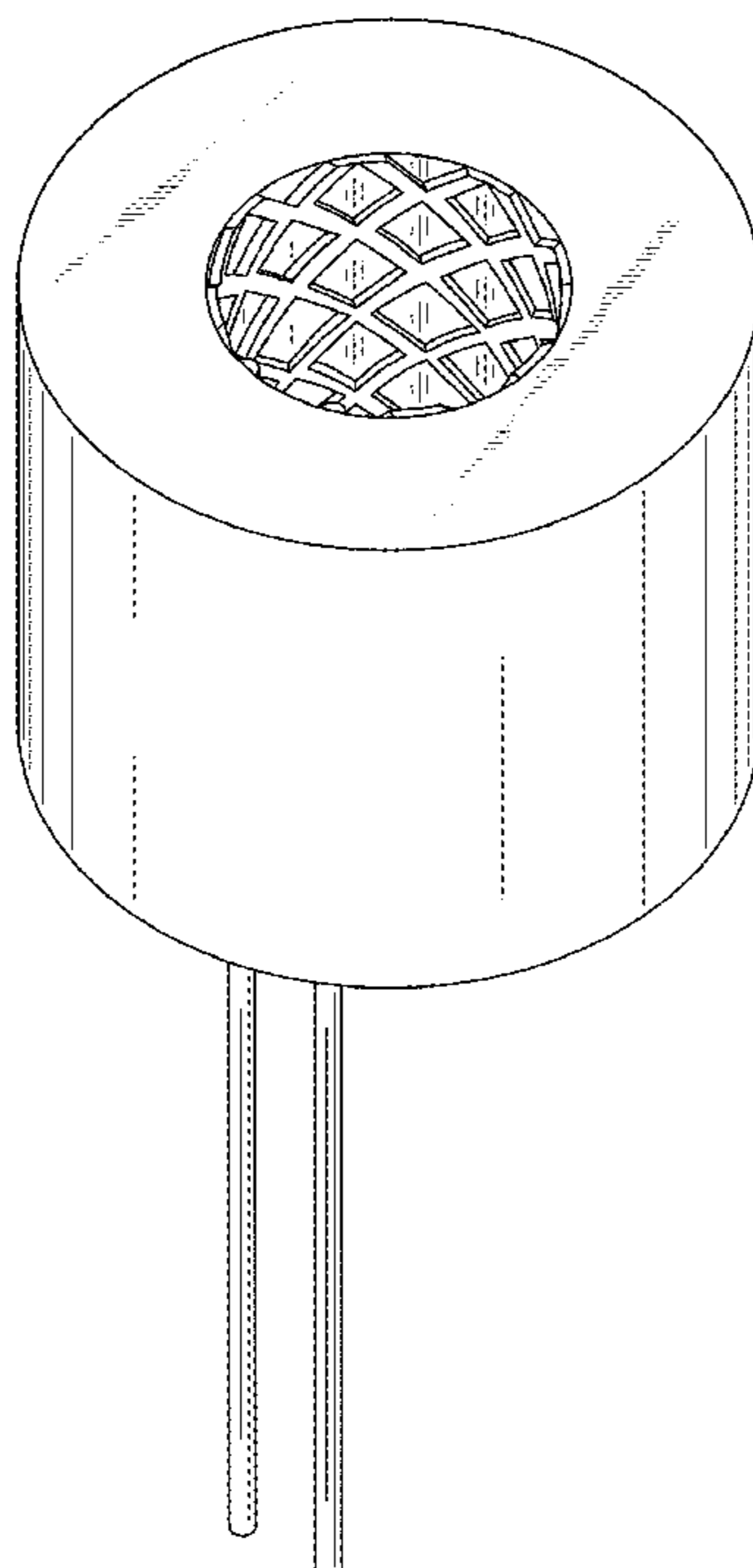
(57) **CLAIM**

The ornamental design for an atomizer for an electronic cigarette, as shown and described.

**DESCRIPTION**

FIG. 1 is a front elevation view of an atomizer for an electronic cigarette, showing my new design;  
FIG. 2 is a rear elevation view thereof;  
FIG. 3 is a left-side elevation view thereof;  
FIG. 4 is a right-side elevation view thereof;  
FIG. 5 is a top plan view thereof;  
FIG. 6 is a bottom plan view thereof;  
FIG. 7 is a top perspective view thereof; and,  
FIG. 8 is a bottom perspective view thereof.

**1 Claim, 8 Drawing Sheets**



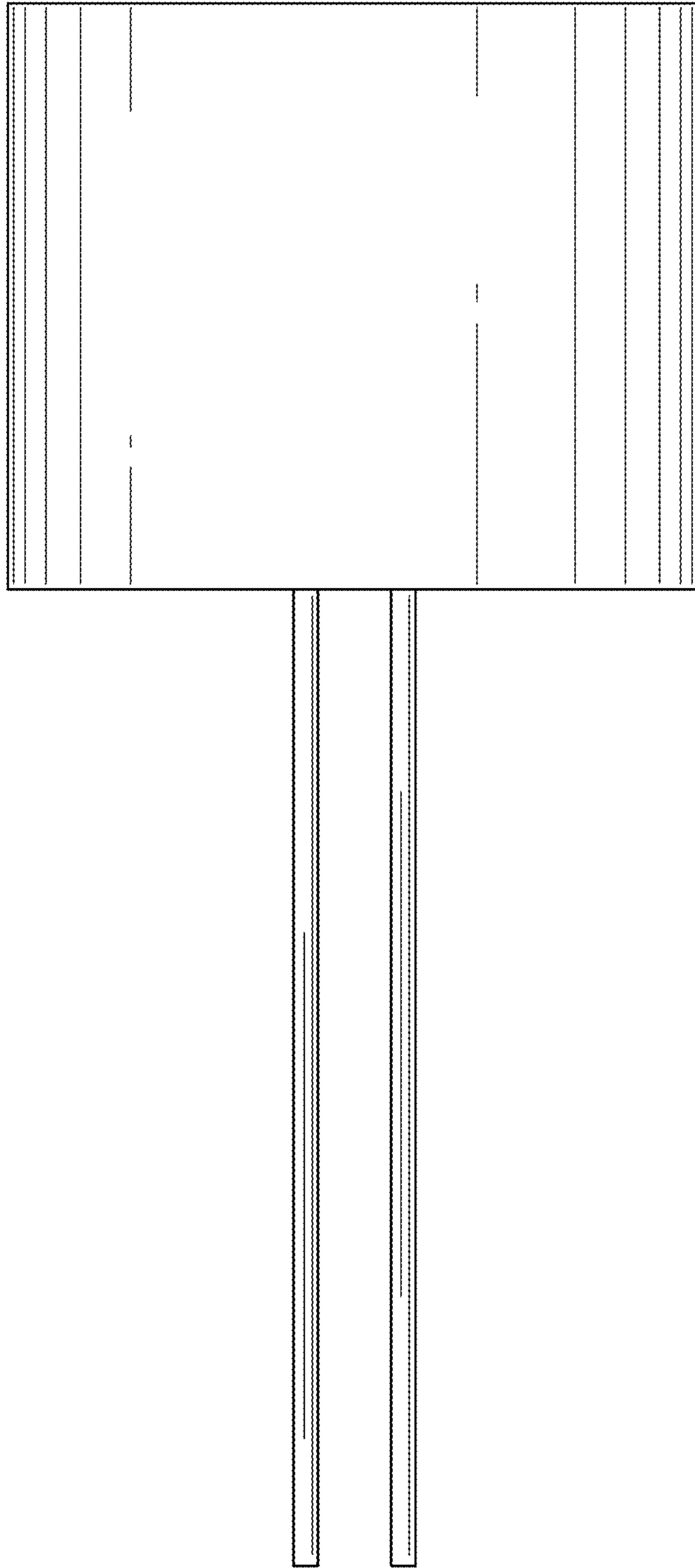


FIG. 1

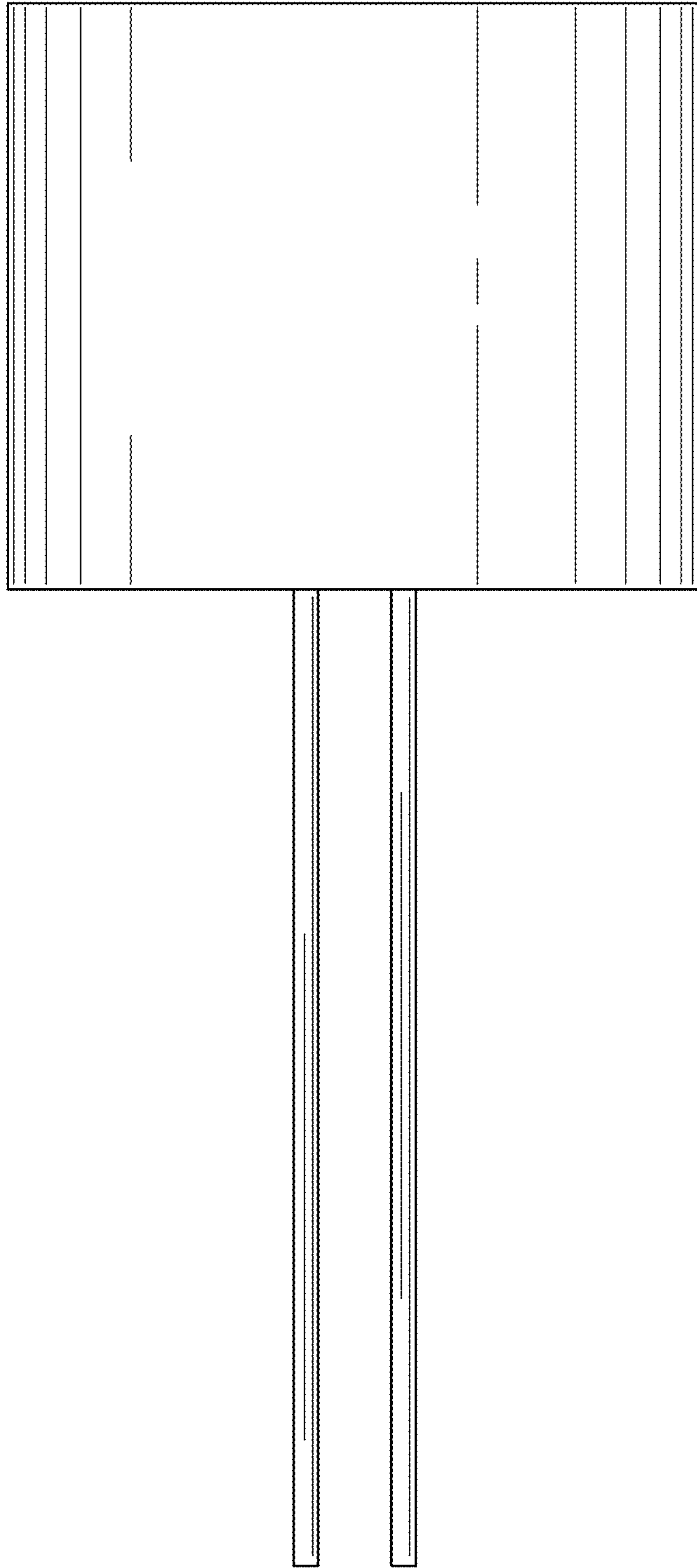


FIG. 2

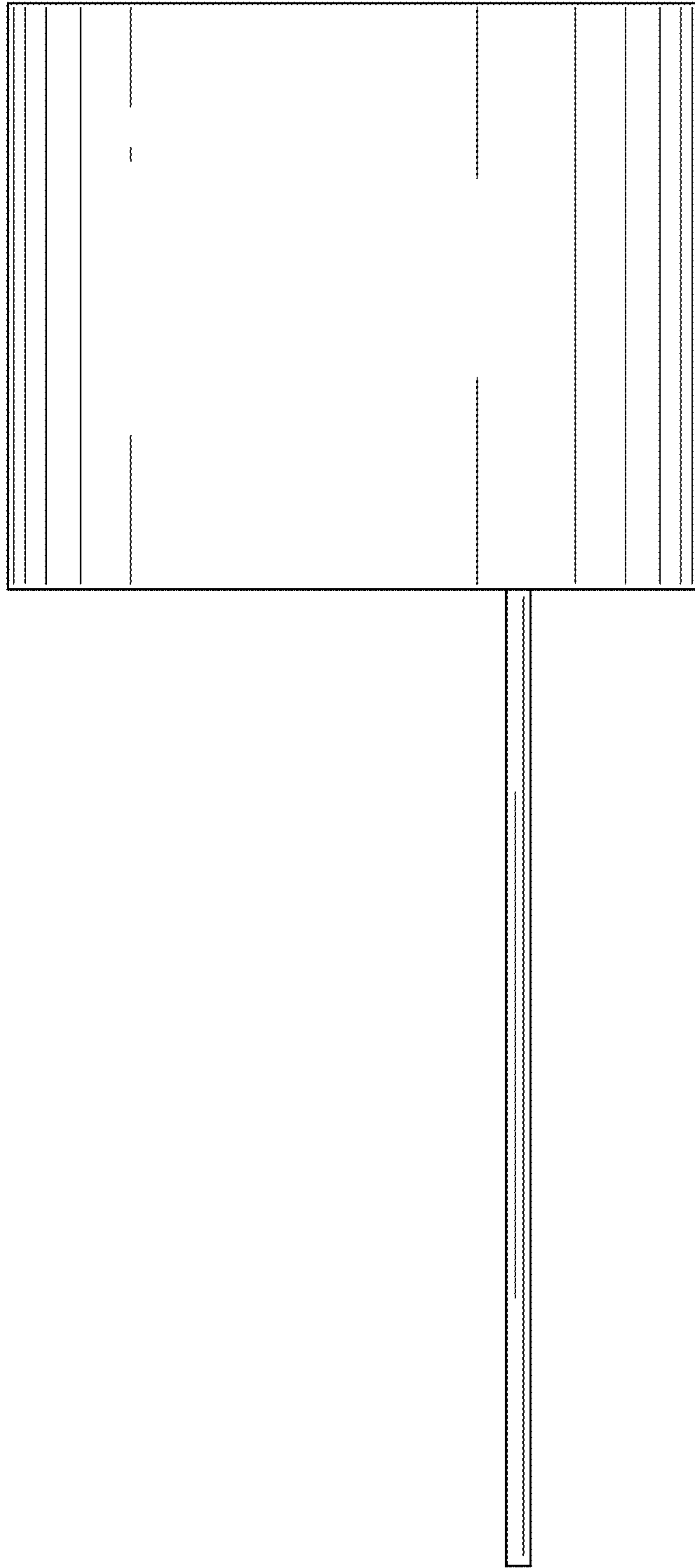


FIG. 3

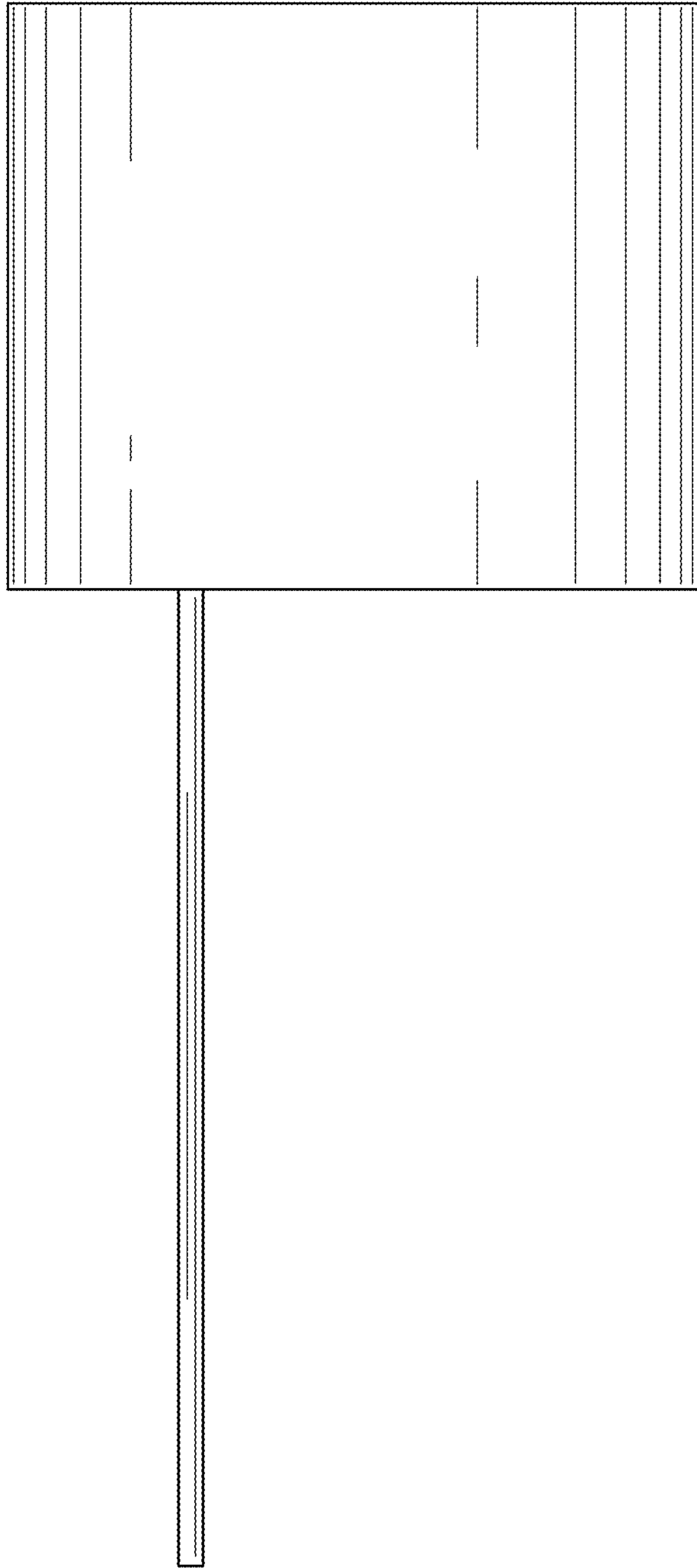


FIG. 4

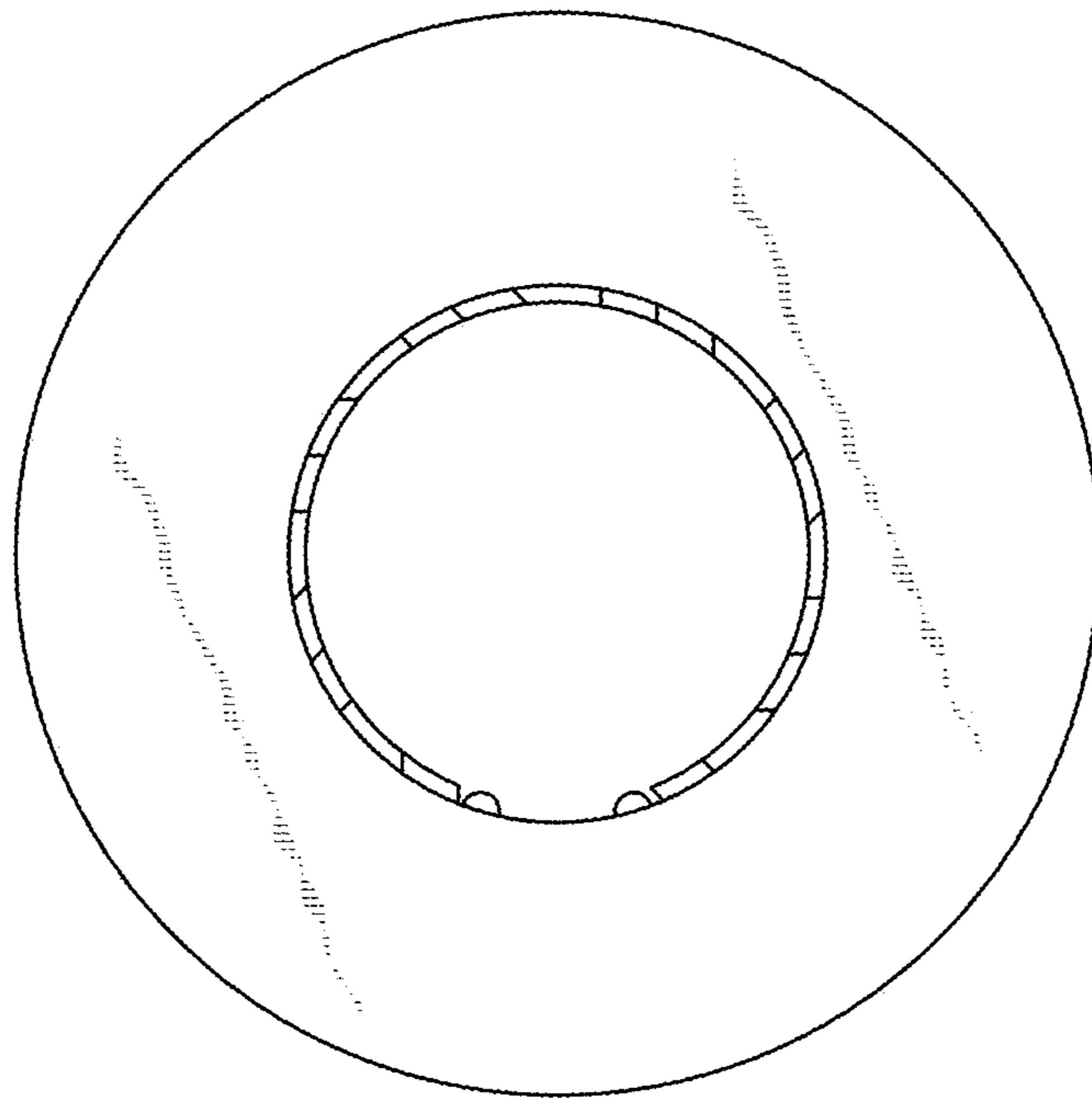


FIG. 5

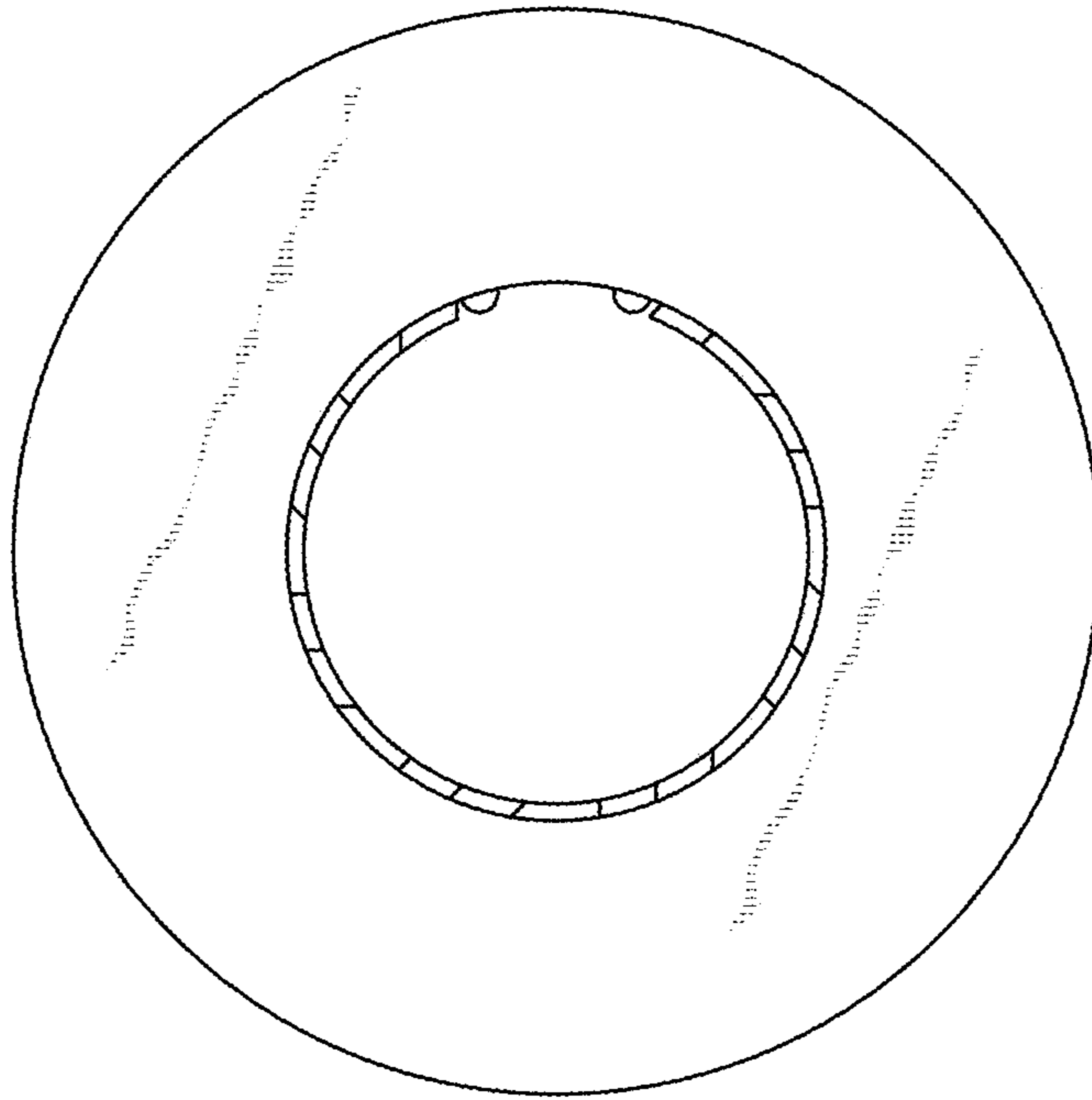


FIG. 6

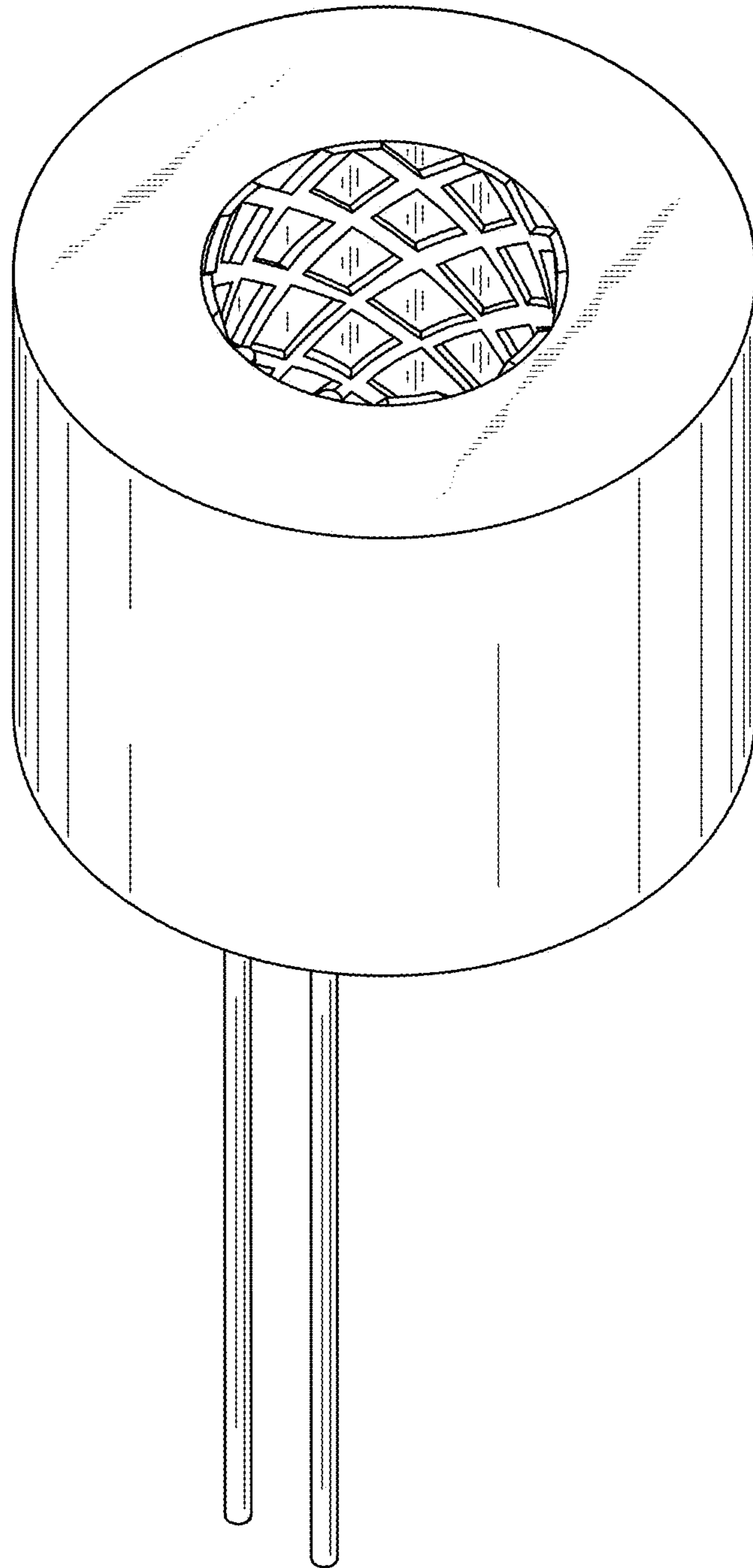


FIG. 7



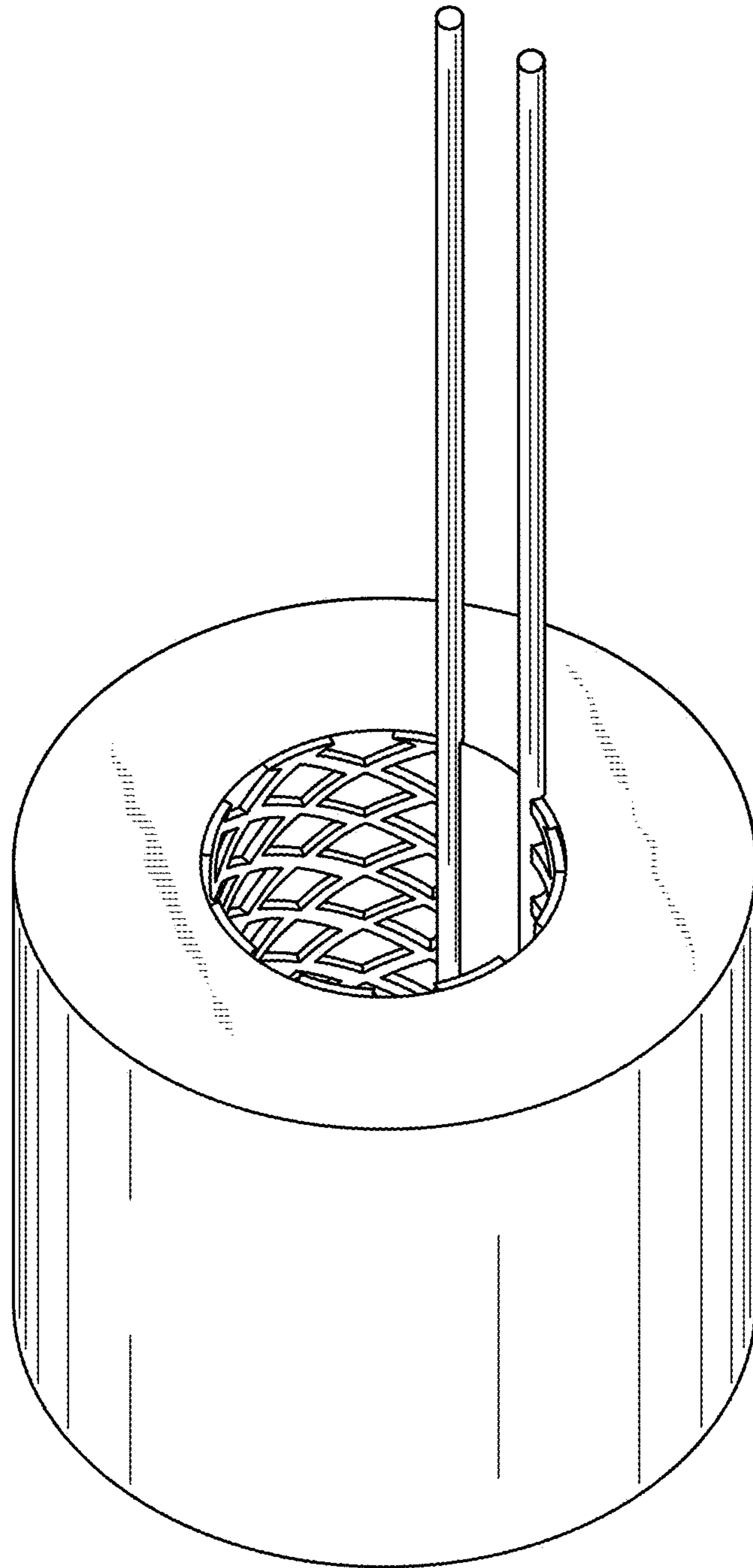


FIG. 8