



US00D960441S

(12) **United States Design Patent** (10) **Patent No.:** **US D960,441 S**  
**Liu** (45) **Date of Patent:** **\*\* Aug. 9, 2022**

(54) **ATOMIZER FOR ELECTRONIC CIGARETTE**  
(71) Applicant: **Shenzhen Eigate Technology Co., Ltd., Shenzhen (CN)**  
(72) Inventor: **Tuanfang Liu, Shenzhen (CN)**  
(73) Assignee: **SHENZHEN EIGATE TECHNOLOGY CO., LTD., Shenzhen (CN)**

D882,165 S \* 4/2020 Ouyang ..... D27/162  
D883,567 S \* 5/2020 Liu ..... D27/162  
D892,398 S \* 8/2020 Yuan ..... D27/162  
D898,993 S \* 10/2020 Li ..... D27/167  
D920,571 S \* 5/2021 Jones ..... D27/162  
D920,572 S \* 5/2021 Liu ..... D27/162  
D921,974 S \* 6/2021 Li ..... D27/162  
D923,867 S \* 6/2021 Liu ..... D27/167

(Continued)

(\*\*) Term: **15 Years**  
(21) Appl. No.: **29/771,748**  
(22) Filed: **Feb. 25, 2021**

(30) **Foreign Application Priority Data**  
Aug. 25, 2020 (CN) ..... 202030490748.0  
(51) **LOC (13) Cl.** ..... **27-02**  
(52) **U.S. Cl.**  
USPC ..... **D27/162**  
(58) **Field of Classification Search**  
USPC ..... D27/162, 100, 101, 163–170, 172,  
D27/174–176, 183, 185–194; D24/110,  
D24/110.5; D23/360, 363, 366;  
D13/103, 107  
CPC ..... A24F 47/00; A24F 47/02; A24F 47/04;  
A24F 47/08; A61M 15/06  
See application file for complete search history.

(56) **References Cited**  
**U.S. PATENT DOCUMENTS**  
D811,652 S \* 2/2018 Liu ..... D27/167  
D817,544 S \* 5/2018 Chen ..... D27/167  
D826,470 S \* 8/2018 Huang ..... D27/167  
D853,635 S \* 7/2019 Chen ..... D27/194  
D862,795 S \* 10/2019 Caldas ..... D27/194  
D867,657 S \* 11/2019 Fornarelli ..... D27/194  
D877,975 S \* 3/2020 Crowe ..... D27/162

**OTHER PUBLICATIONS**

Atomization—Electronic Cigarette Atomizer By: ULTIMO found on line (Apr. 9, 2022) [https://favpng.com/png\\_view/atomization-electronic-cigarette-atomizer-nozzle-vape-shop-vapor-kanthal-png/OrdMZ2s7](https://favpng.com/png_view/atomization-electronic-cigarette-atomizer-nozzle-vape-shop-vapor-kanthal-png/OrdMZ2s7) (Jan. 27, 2019).\*

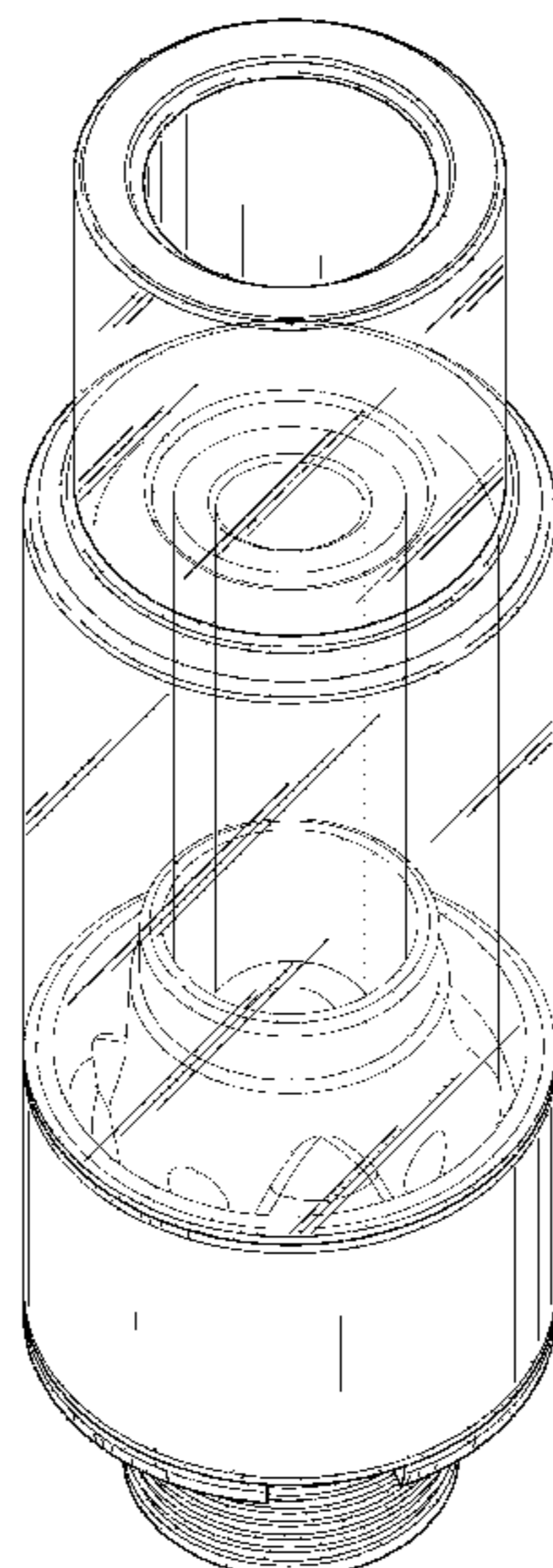
*Primary Examiner* — Rebecca Tsehaye  
(74) *Attorney, Agent, or Firm* — Matthias Scholl P.C.; Matthias Scholl

(57) **CLAIM**  
The ornamental design for an atomizer for an electronic cigarette, as shown and described.

**DESCRIPTION**

FIG. 1 is a front elevation view of an atomizer for an electronic cigarette, showing my new design; FIG. 2 is a rear elevation view thereof; FIG. 3 is a left-side elevation view thereof; FIG. 4 is a right-side elevation view thereof; FIG. 5 is a top plan view thereof; FIG. 6 is a bottom plan view thereof; FIG. 7 is a top perspective view thereof; and, FIG. 8 is a bottom perspective view thereof. The broken lines depict portions of the atomizer for electronic cigarette that form no part of the claimed design. The oblique lines on the surfaces of the atomizer for electronic cigarette indicate that those surfaces are transparent.

**1 Claim, 8 Drawing Sheets**



(56)

**References Cited**

U.S. PATENT DOCUMENTS

D926,358 S *	7/2021	Liu .....	D27/162
D927,773 S *	8/2021	Jones .....	D27/162
D932,097 S *	9/2021	Liu .....	D27/162
D940,388 S *	1/2022	Fornarelli .....	D27/194
D943,184 S *	2/2022	Jones .....	D27/162
D943,818 S *	2/2022	Wang .....	D27/162
2016/0295920 A1 *	10/2016	Liu .....	A24F 40/485

\* cited by examiner

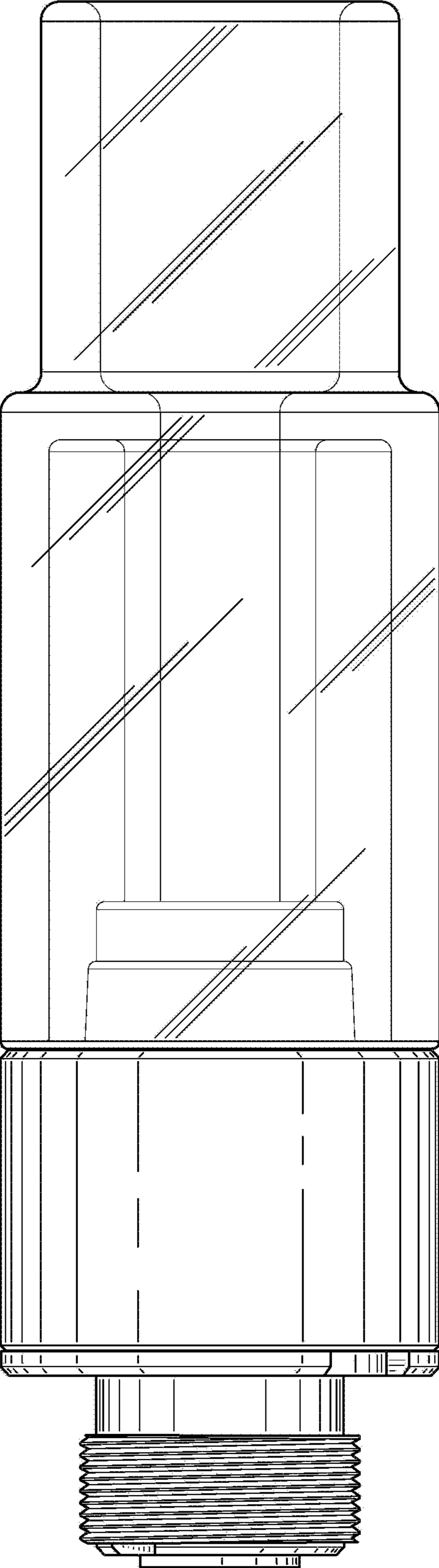


FIG. 1

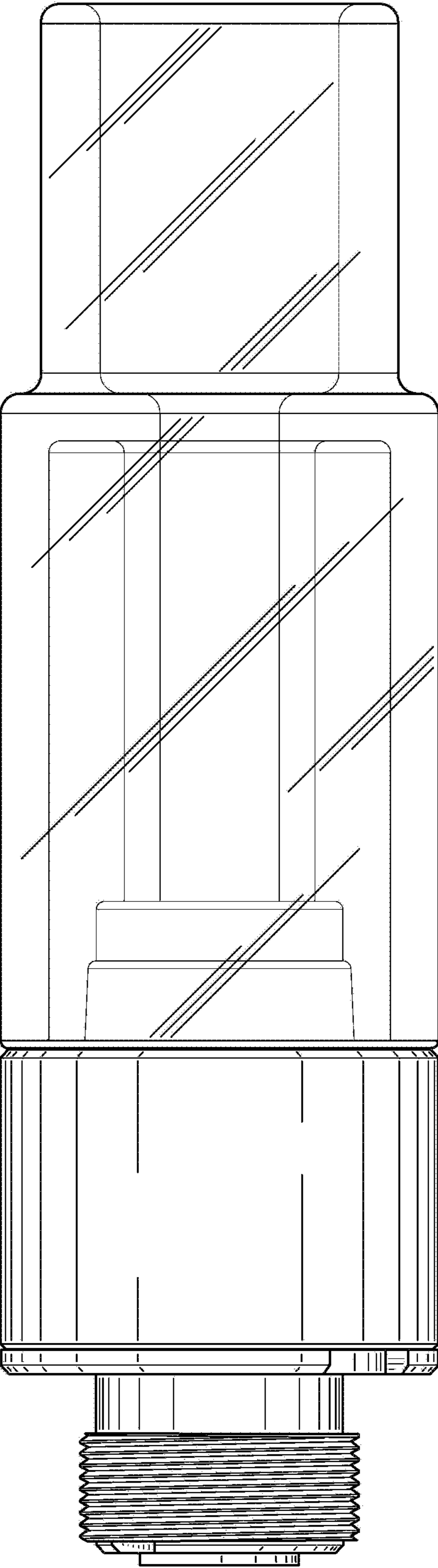


FIG. 2

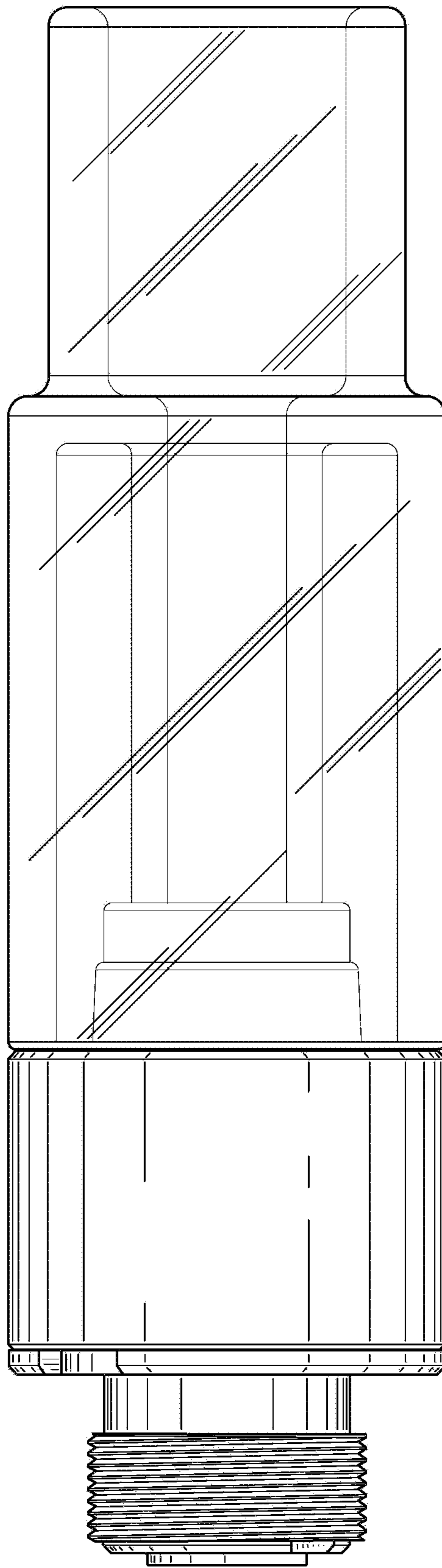


FIG. 3

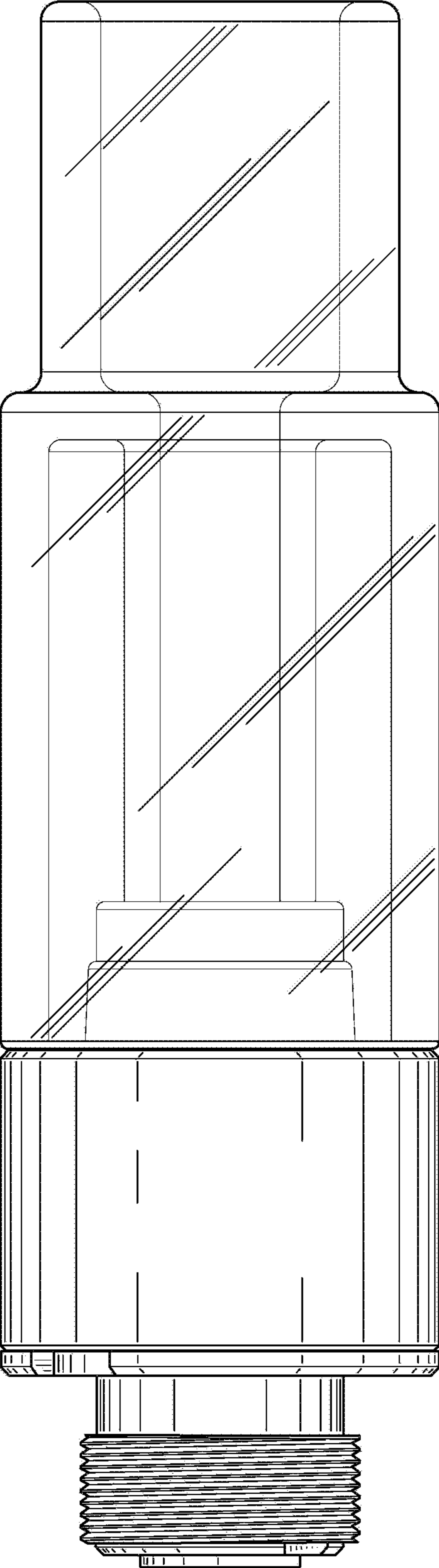
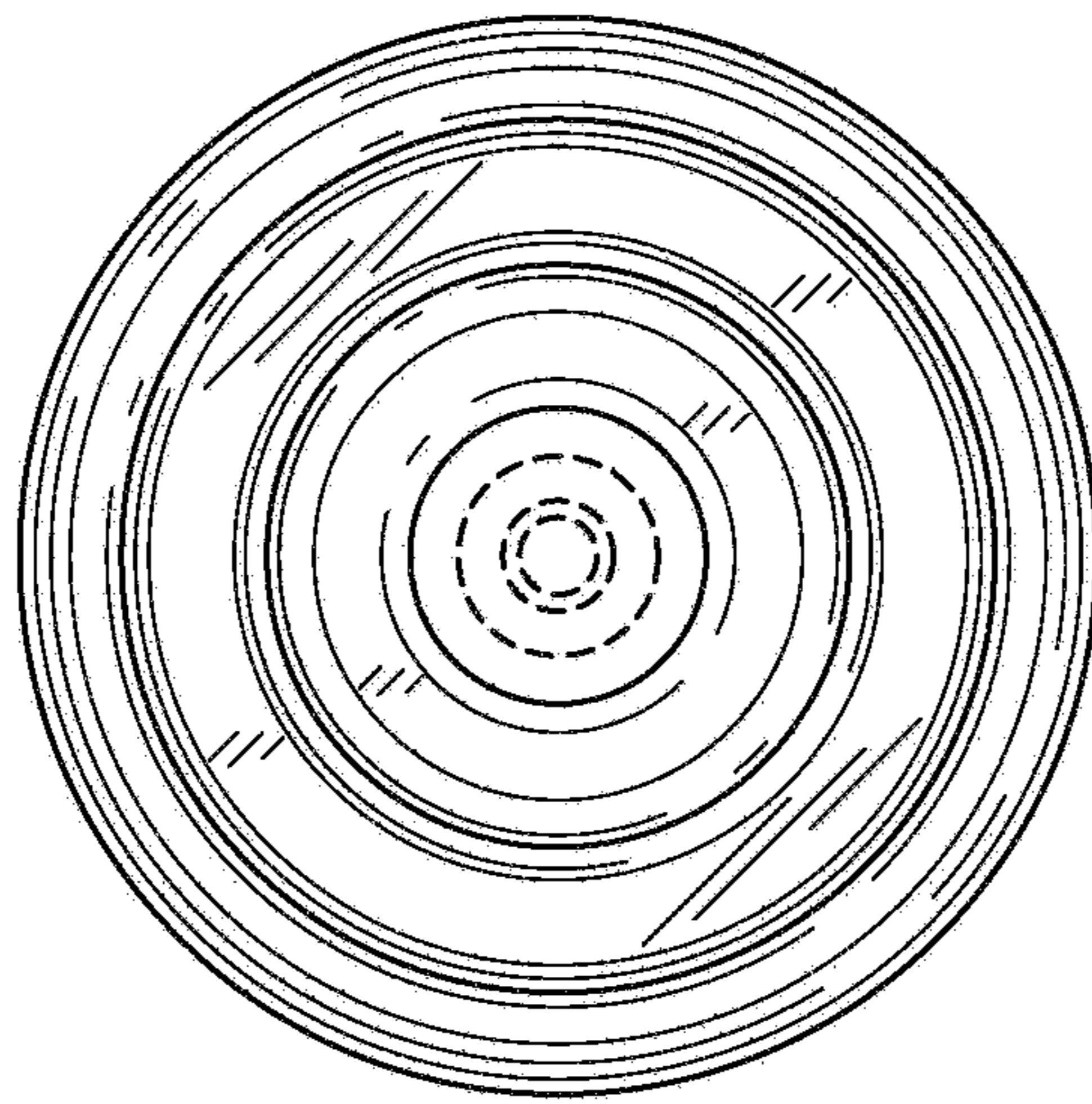
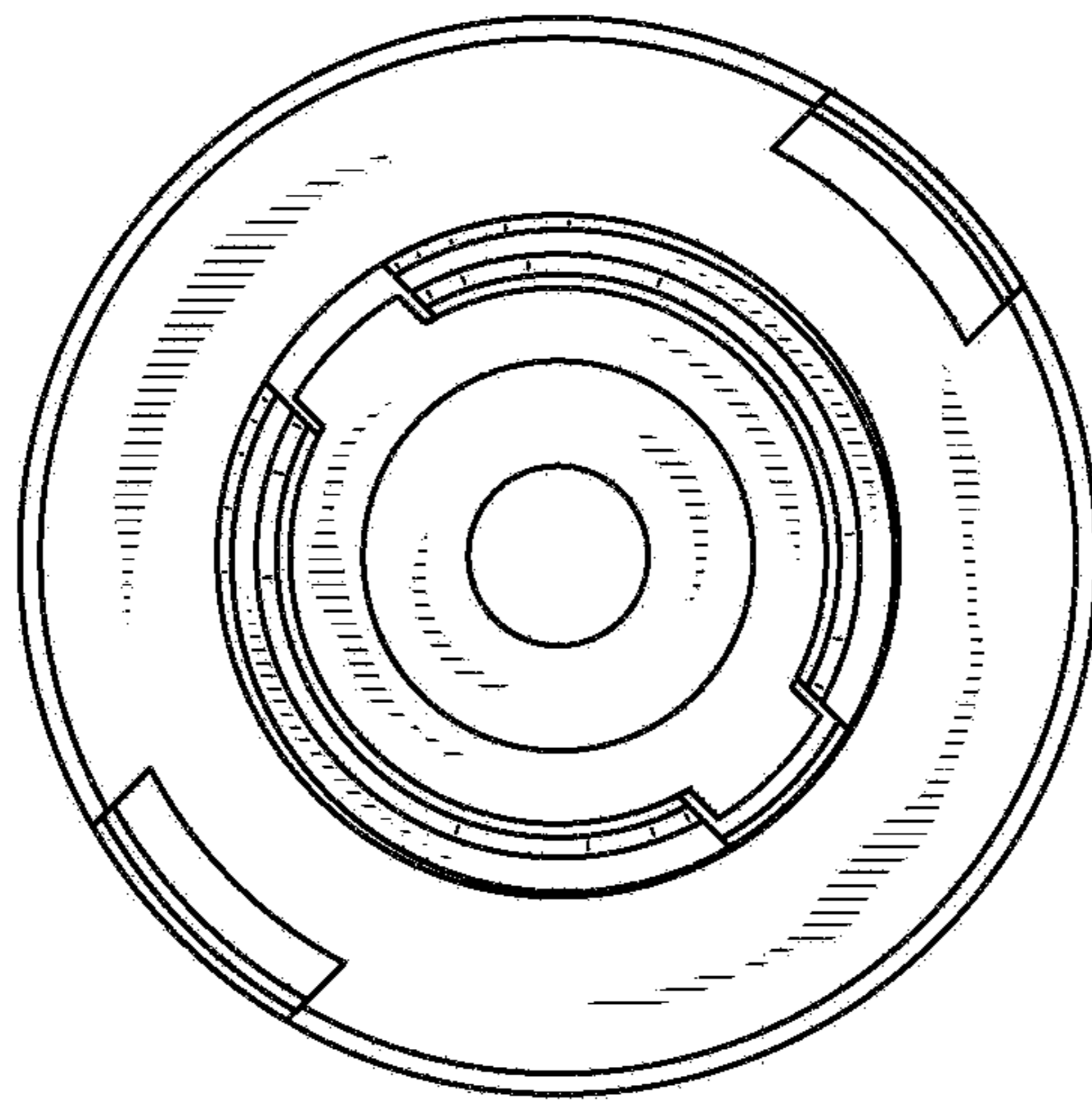


FIG. 4



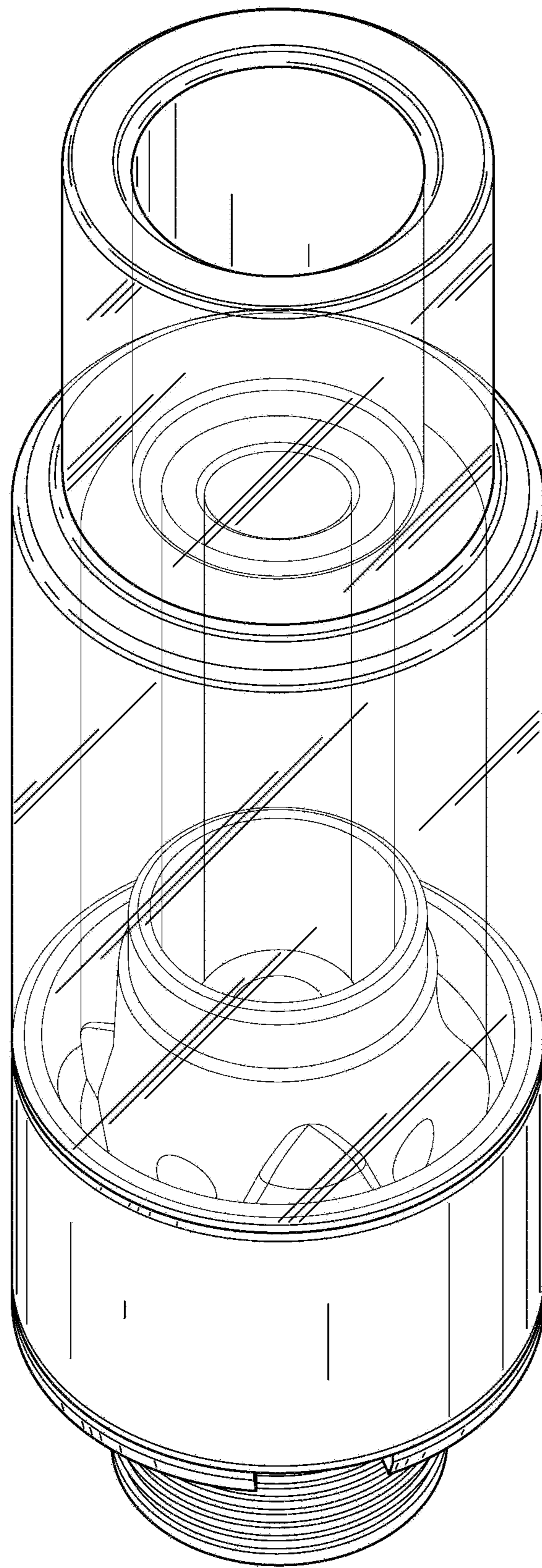


**FIG. 5**

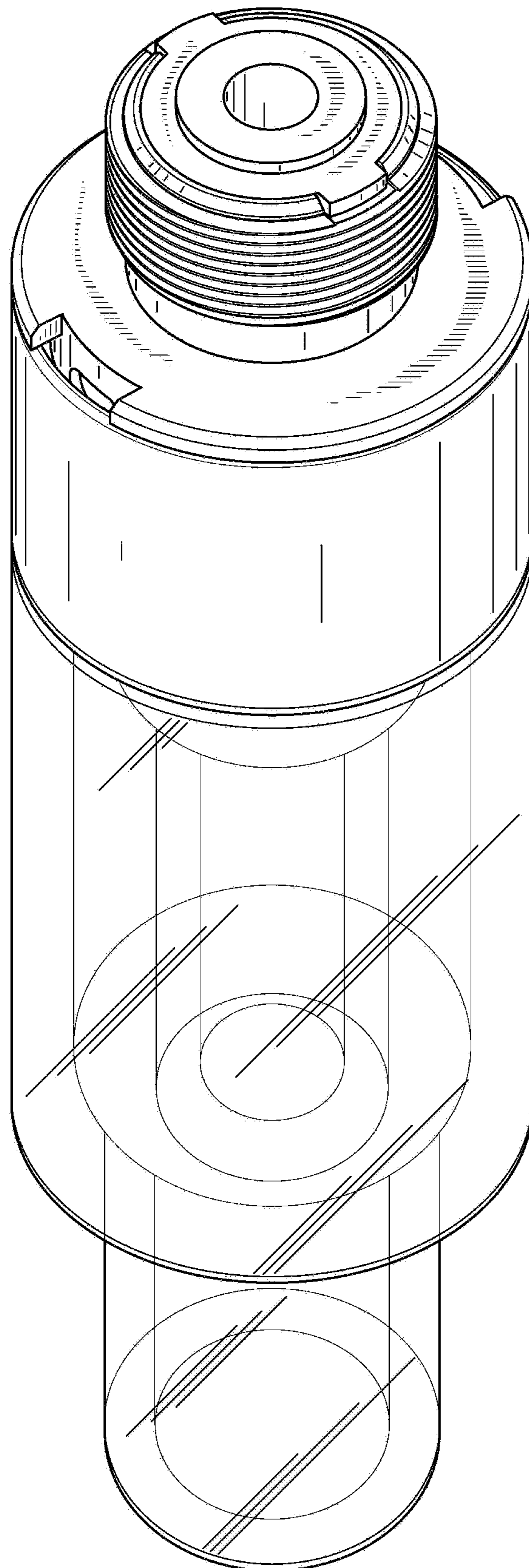


**FIG. 6**





**FIG. 7**



**FIG. 8**