

US00D960439S

(12) **United States Design Patent**  
**Touzjian**

(10) **Patent No.:** **US D960,439 S**  
(45) **Date of Patent:** **\*\* Aug. 9, 2022**

- (54) **HOOKAH**
- (71) Applicant: **TMS International**, Glendale, CA (US)
- (72) Inventor: **Vick Touzjian**, Glendale, CA (US)
- (\*\*) Term: **15 Years**
- (21) Appl. No.: **29/767,545**
- (22) Filed: **Jan. 22, 2021**
- (51) **LOC (13) Cl.** ..... **27-02**
- (52) **U.S. Cl.**  
USPC ..... **D27/162**
- (58) **Field of Classification Search**  
USPC ..... D27/100, 103, 162-165, 167, 169, 172,  
D27/180, 183, 194; D23/360; D11/152,  
D11/154, 157  
CPC ..... A24F 1/30; A24F 1/02; A24F 1/00; A24F  
47/008; A24F 47/002; A61M 11/00  
See application file for complete search history.

10,869,498	B2 *	12/2020	Risolia	.....	A24F 1/02
D925,820	S *	7/2021	Gibson	.....	D27/162
D935,686	S *	11/2021	Liang	.....	D27/162
D943,163	S *	2/2022	Gibson	.....	D27/162
D943,171	S *	2/2022	Liu	.....	D27/162
D946,822	S *	3/2022	Abboud	.....	D27/162

**OTHER PUBLICATIONS**

Adonis Vase By: Bio Hookah found on line (Mar. 25, 2022)  
<https://www.byohookahs.com/products/adonisvase> (Nov. 5, 2019).\*

\* cited by examiner

*Primary Examiner* — Rebecca Tsehaye  
(74) *Attorney, Agent, or Firm* — Trojan Law Offices

(57) **CLAIM**

The ornamental design for a hookah, as shown and described.

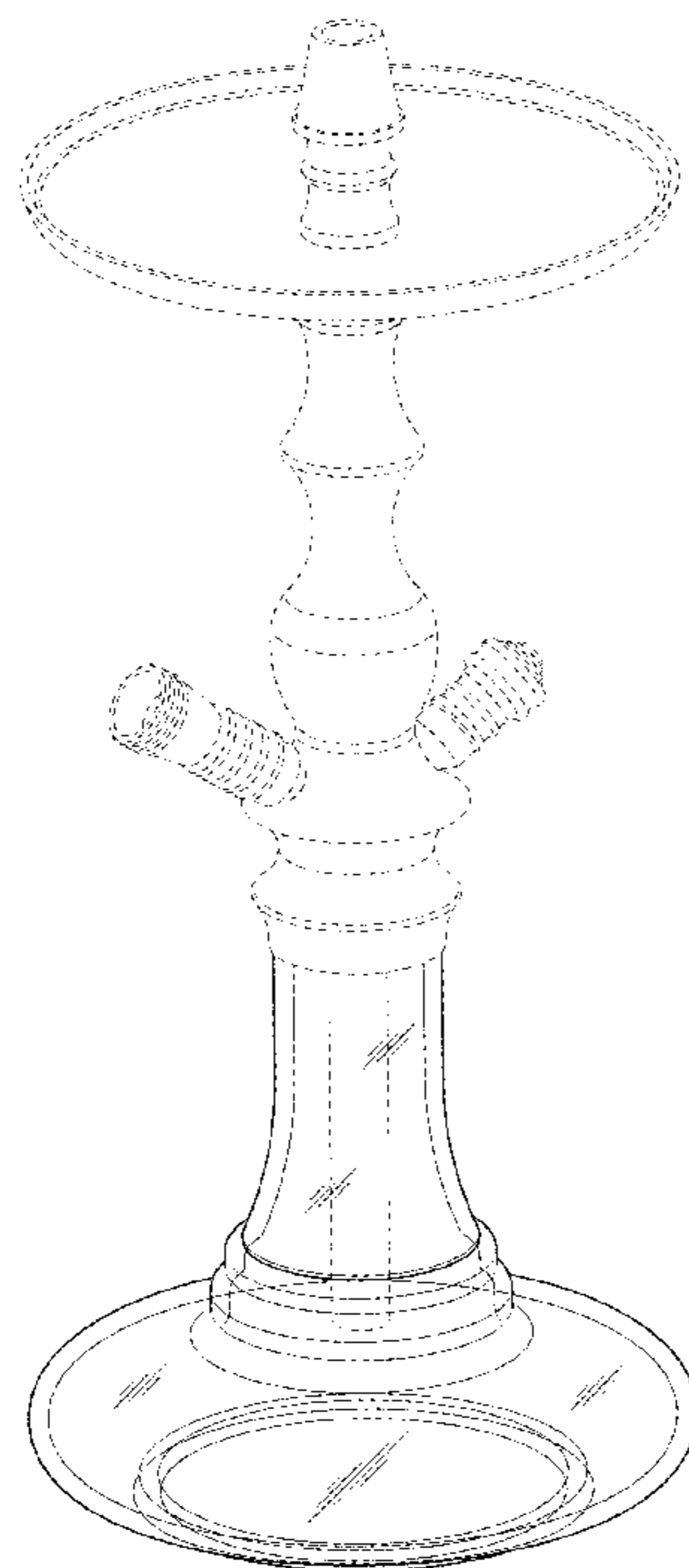
**DESCRIPTION**

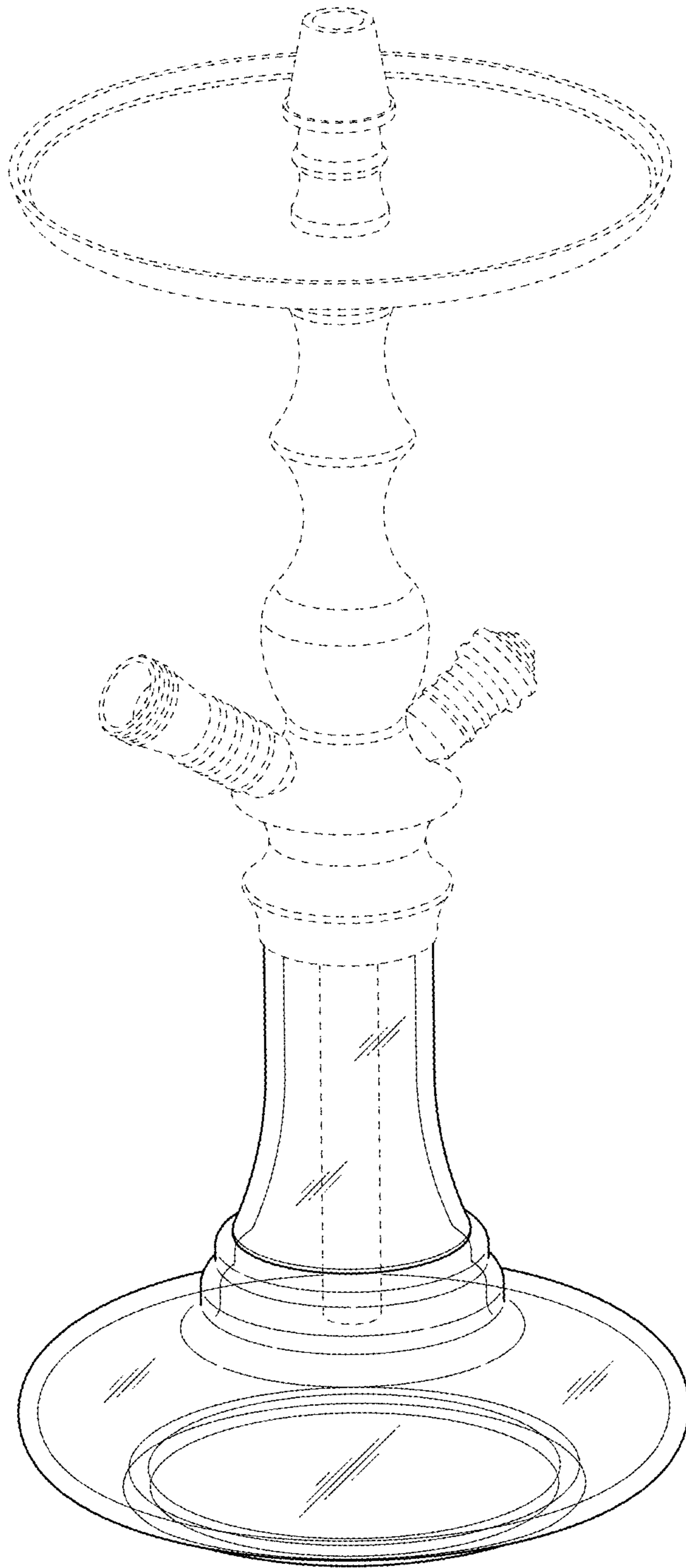
FIG. 1 is a front left perspective view of a hookah in accordance with my new design;  
FIG. 2 is a front view of the hookah of FIG. 1;  
FIG. 3 is a left side view of the hookah of FIG. 1;  
FIG. 4 is a right side view of the hookah of FIG. 1;  
FIG. 5 is a top view of the hookah of FIG. 1; and,  
FIG. 6 is a bottom view of the hookah of FIG. 1.  
The broken lines shown throughout the drawings depict portions of the hookah that form no part of the claimed design.  
Oblique lines on the hookah surfaces indicate that those surfaces are transparent.

**1 Claim, 5 Drawing Sheets**

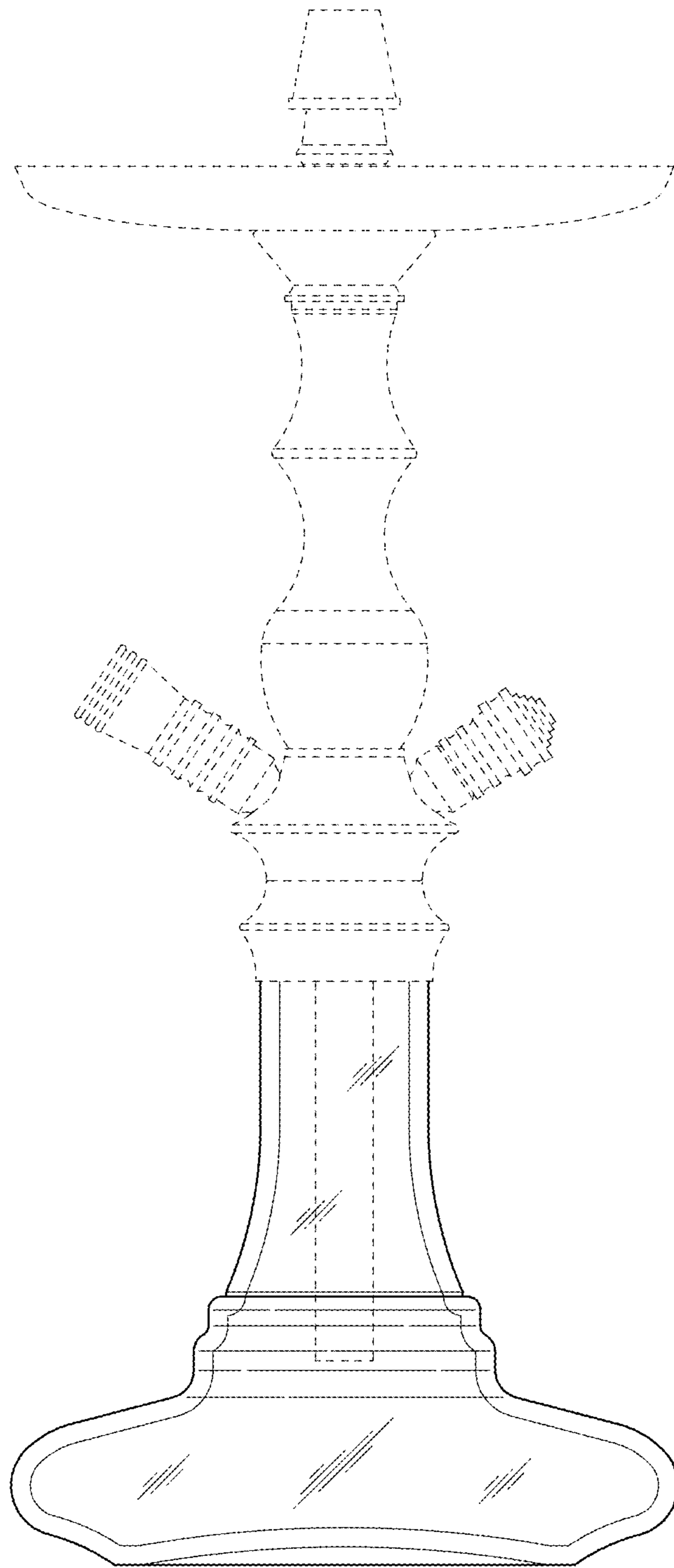
(56) **References Cited**  
U.S. PATENT DOCUMENTS

D358,227	S *	5/1995	Heine	.....	D27/162
D584,853	S *	1/2009	Kassir	.....	D27/162
D612,659	S *	3/2010	Kehoe	.....	D7/316
D728,854	S *	5/2015	Siniakov	.....	D27/162
D742,587	S *	11/2015	Masri	.....	D27/162
D754,392	S *	4/2016	Helou	.....	D27/162
D754,914	S *	4/2016	Helou	.....	D27/162
D754,915	S *	4/2016	Helou	.....	D27/162
D755,439	S *	5/2016	Helou	.....	D27/162
D832,502	S *	10/2018	Durand	.....	D27/162
D844,231	S *	3/2019	Klimczyk	.....	D27/162
D846,187	S *	4/2019	Hoch	.....	D27/162
D854,740	S *	7/2019	Opp	.....	D27/162
D887,761	S *	6/2020	Xu	.....	D7/300.1

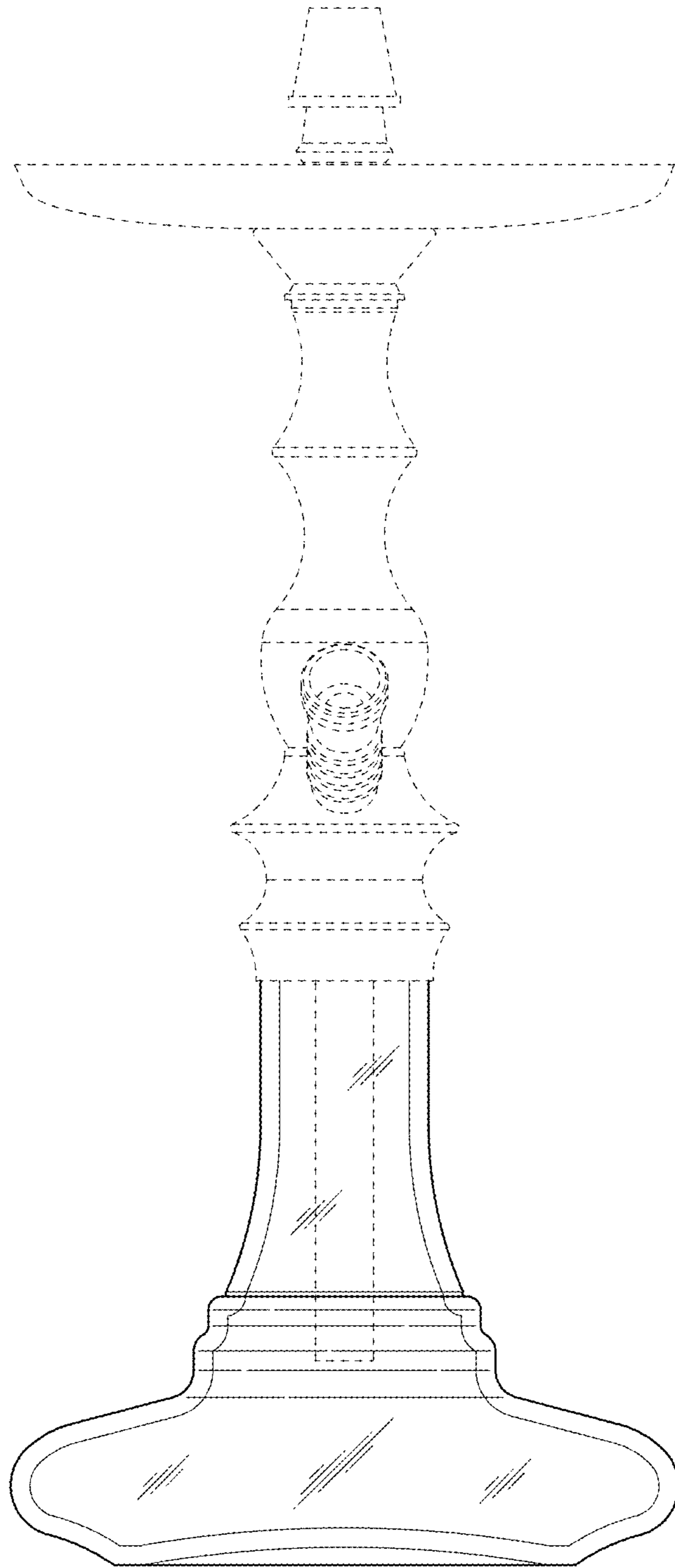




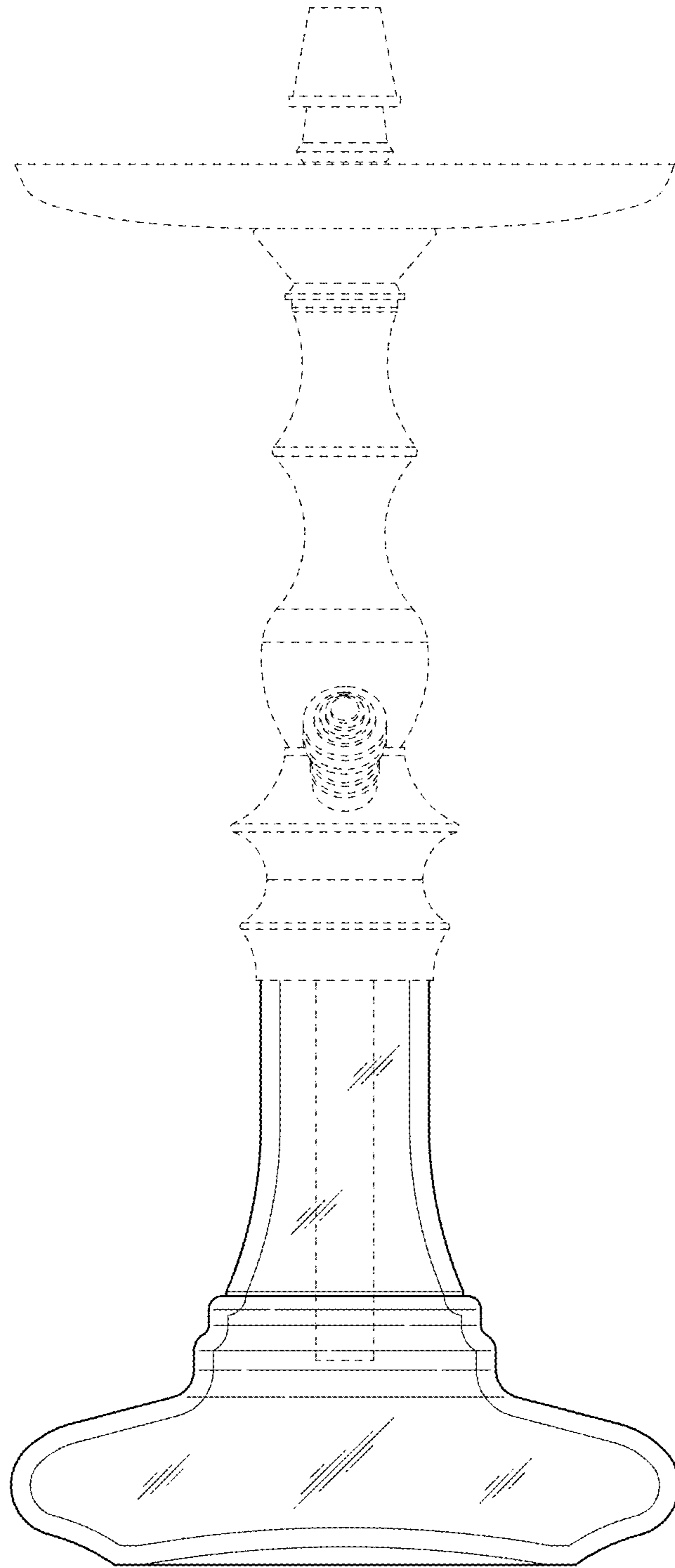
*FIG. 1*



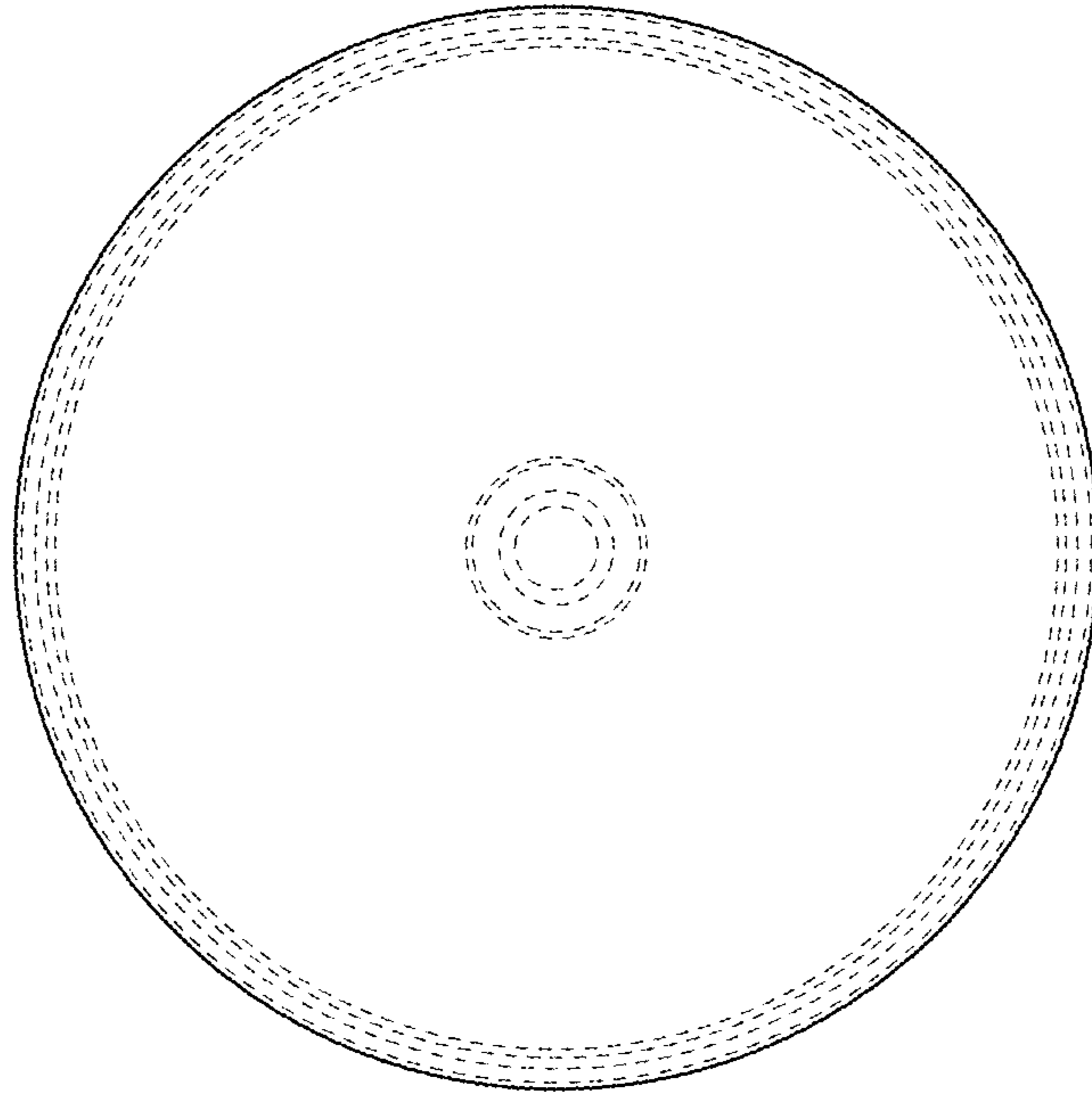
*FIG. 2*



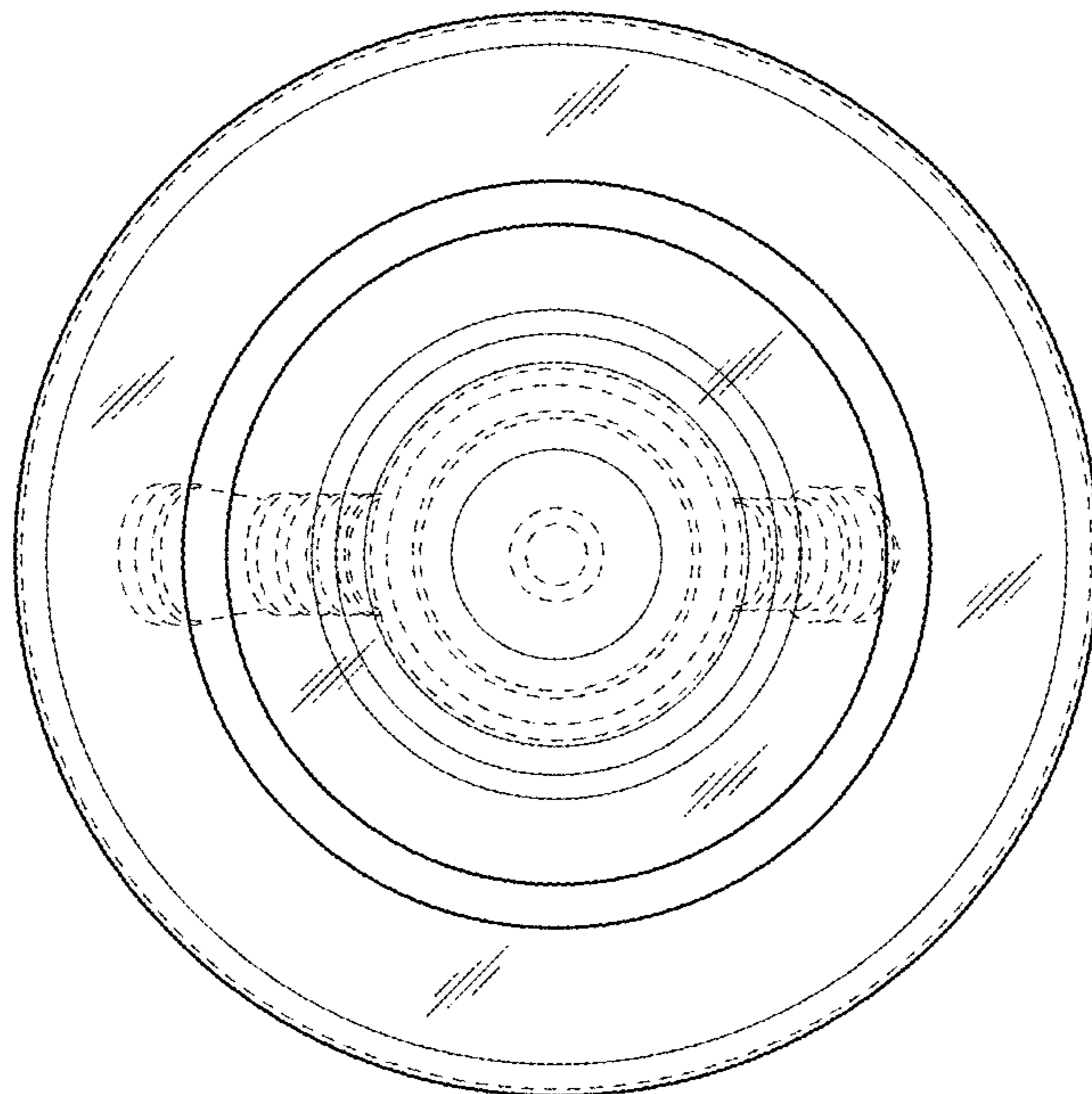
*FIG. 3*



*FIG. 4*



*FIG. 5*



*FIG. 6*