



US00D960438S

(12) **United States Design Patent** (10) **Patent No.:** **US D960,438 S**  
**Touzjian** (45) **Date of Patent:** **\*\* Aug. 9, 2022**

(54) **HOOKAH**  
(71) Applicant: **TMS International**, Glendale, CA (US)  
(72) Inventor: **Vick Touzjian**, Glendale, CA (US)  
(\*\*) Term: **15 Years**  
(21) Appl. No.: **29/767,541**  
(22) Filed: **Jan. 22, 2021**  
(51) **LOC (13) Cl.** ..... **27-02**  
(52) **U.S. Cl.**  
USPC ..... **D27/162**  
(58) **Field of Classification Search**  
USPC ..... D27/100, 103, 162-165, 167, 169, 172,  
D27/180, 183, 194; D23/360; D11/152,  
D11/154, 157  
CPC ..... A24F 1/30; A24F 1/02; A24F 1/00; A24F  
47/008; A24F 47/002; A61M 11/00  
See application file for complete search history.

10,869,498 B2 \* 12/2020 Risolia ..... A24F 1/02  
D925,820 S \* 7/2021 Gibson ..... D27/162  
D935,686 S \* 11/2021 Liang ..... D27/162  
D943,163 S \* 2/2022 Gibson ..... D27/162  
D943,171 S \* 2/2022 Liu ..... D27/162  
D946,822 S \* 3/2022 Abboud ..... D27/162

**OTHER PUBLICATIONS**

Adonis Vase By: Bio Hookah found on line (Mar. 25, 2022)  
<https://www.byohookahs.com/products/adonisvase> (Nov. 5, 2019).\*

\* cited by examiner

*Primary Examiner* — Rebecca Tsehaye  
(74) *Attorney, Agent, or Firm* — Trojan Law Offices

(57) **CLAIM**

The ornamental design for a hookah, as shown and described.

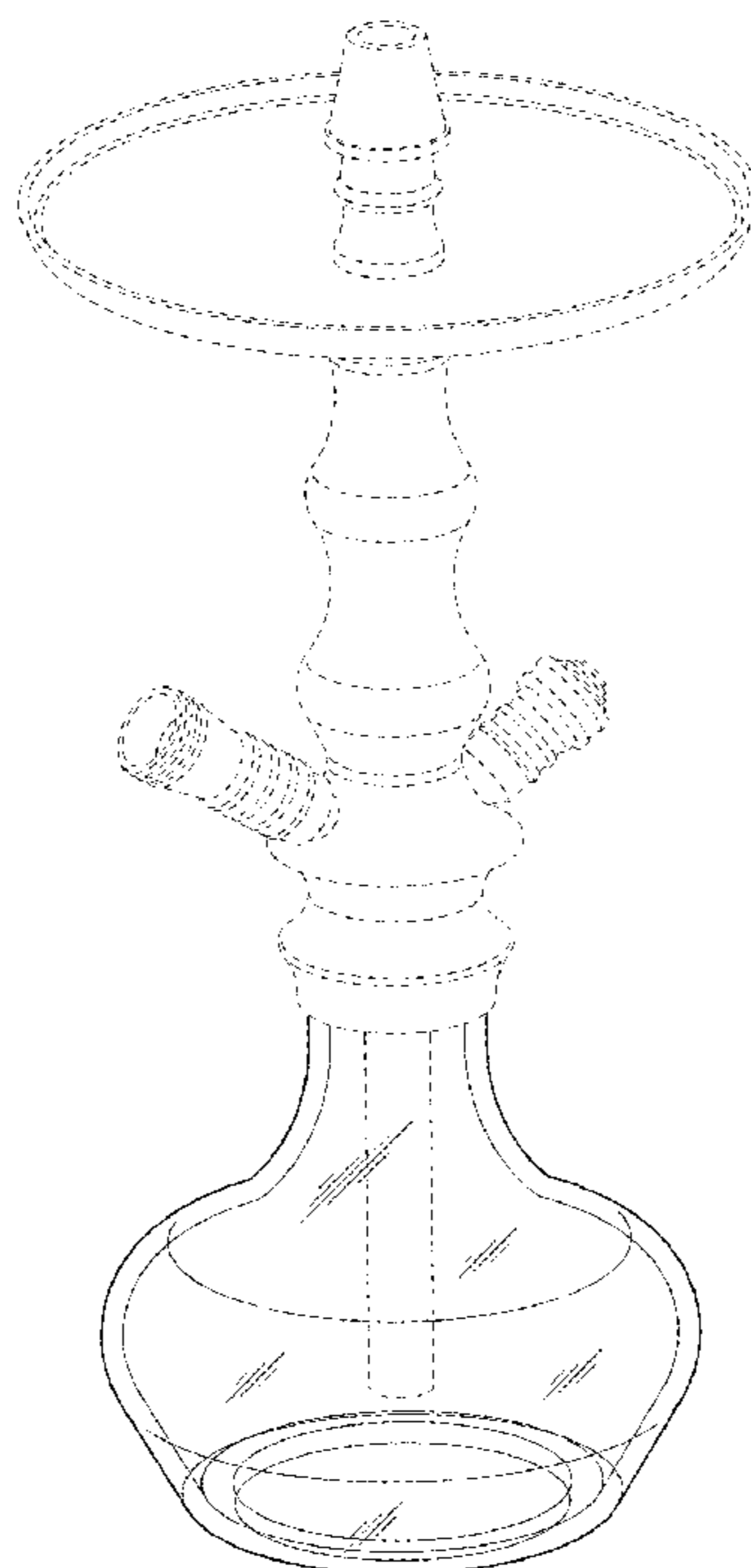
**DESCRIPTION**

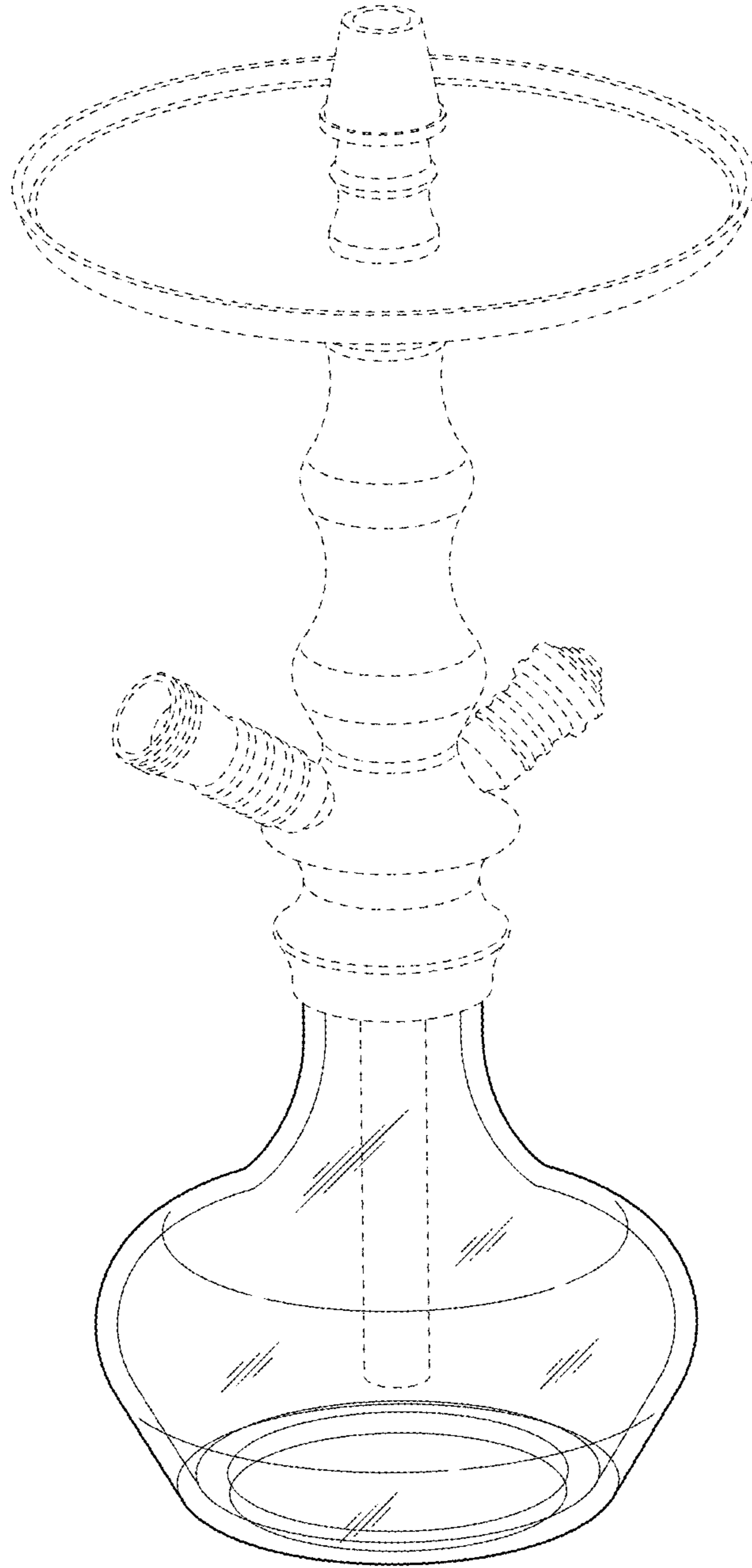
FIG. 1 is a front left perspective view of a hookah in accordance with my new design;  
FIG. 2 is a front view of the hookah of FIG. 1;  
FIG. 3 is a left side view of the hookah of FIG. 1;  
FIG. 4 is a right side view of the hookah of FIG. 1;  
FIG. 5 is a top view of the hookah of FIG. 1; and,  
FIG. 6 is a bottom view of the hookah of FIG. 1.  
The broken lines shown throughout the drawings depict portions of the hookah that form no part of the claimed design.  
Oblique lines on the hookah surfaces indicate that those surfaces are transparent.

**1 Claim, 5 Drawing Sheets**

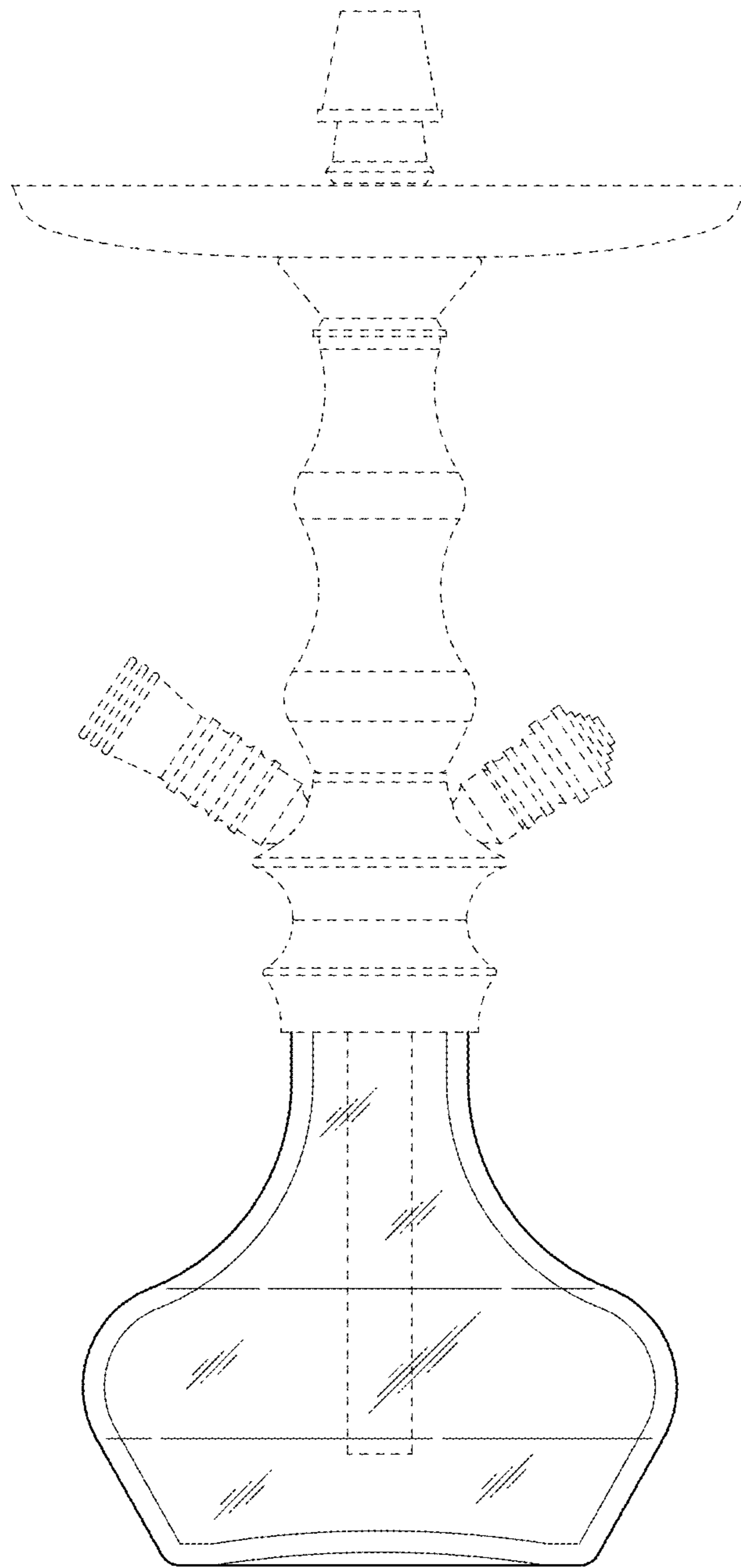
(56) **References Cited**  
U.S. PATENT DOCUMENTS

D358,227 S \* 5/1995 Heine ..... D27/162  
D584,853 S \* 1/2009 Kassir ..... D27/162  
D612,659 S \* 3/2010 Kehoe ..... D7/316  
D728,854 S \* 5/2015 Siniakov ..... D27/162  
D742,587 S \* 11/2015 Masri ..... D27/162  
D754,392 S \* 4/2016 Helou ..... D27/162  
D754,914 S \* 4/2016 Helou ..... D27/162  
D754,915 S \* 4/2016 Helou ..... D27/162  
D755,439 S \* 5/2016 Helou ..... D27/162  
D832,502 S \* 10/2018 Durand ..... D27/162  
D844,231 S \* 3/2019 Klimczyk ..... D27/162  
D846,187 S \* 4/2019 Hoch ..... D27/162  
D854,740 S \* 7/2019 Opp ..... D27/162  
D887,761 S \* 6/2020 Xu ..... D7/300.1

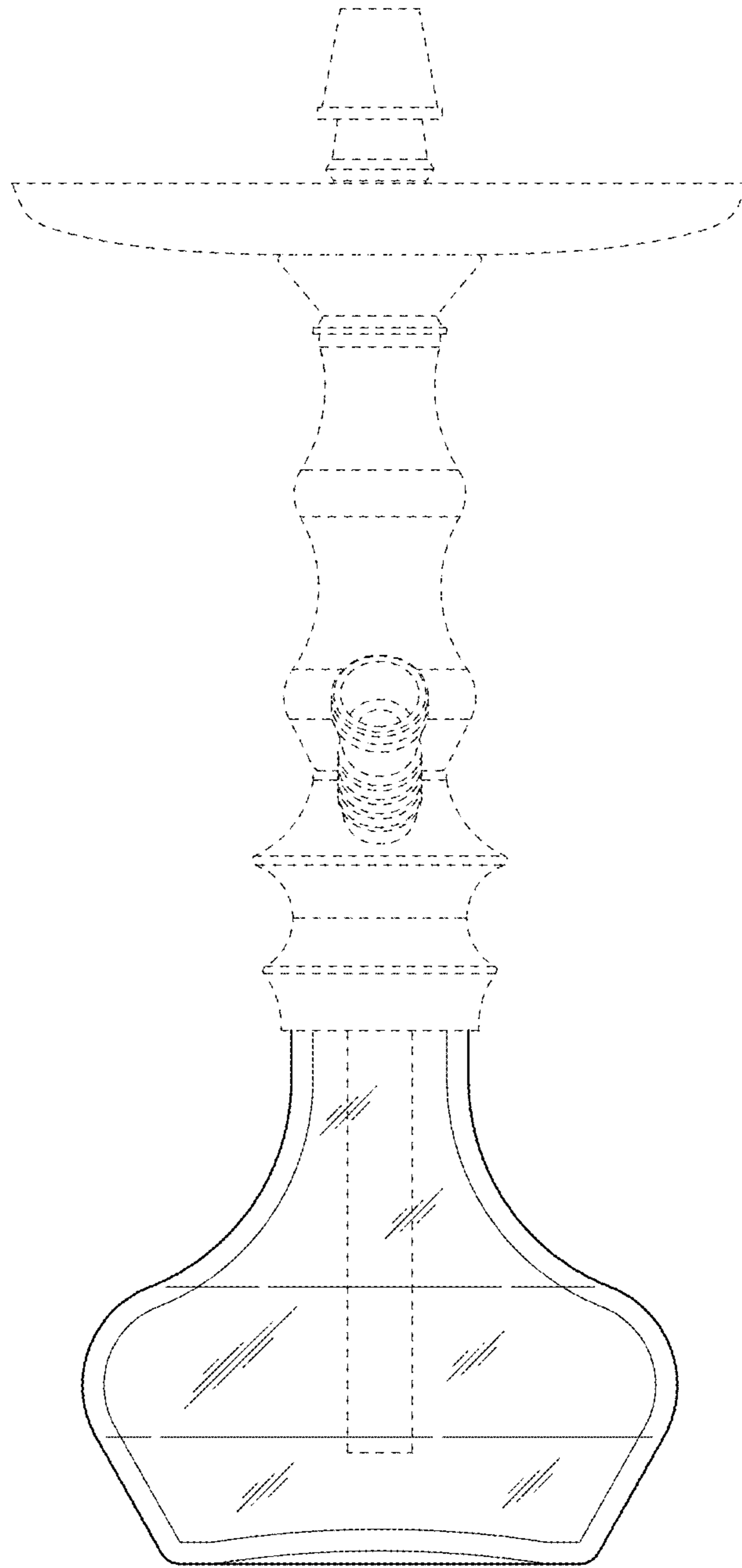




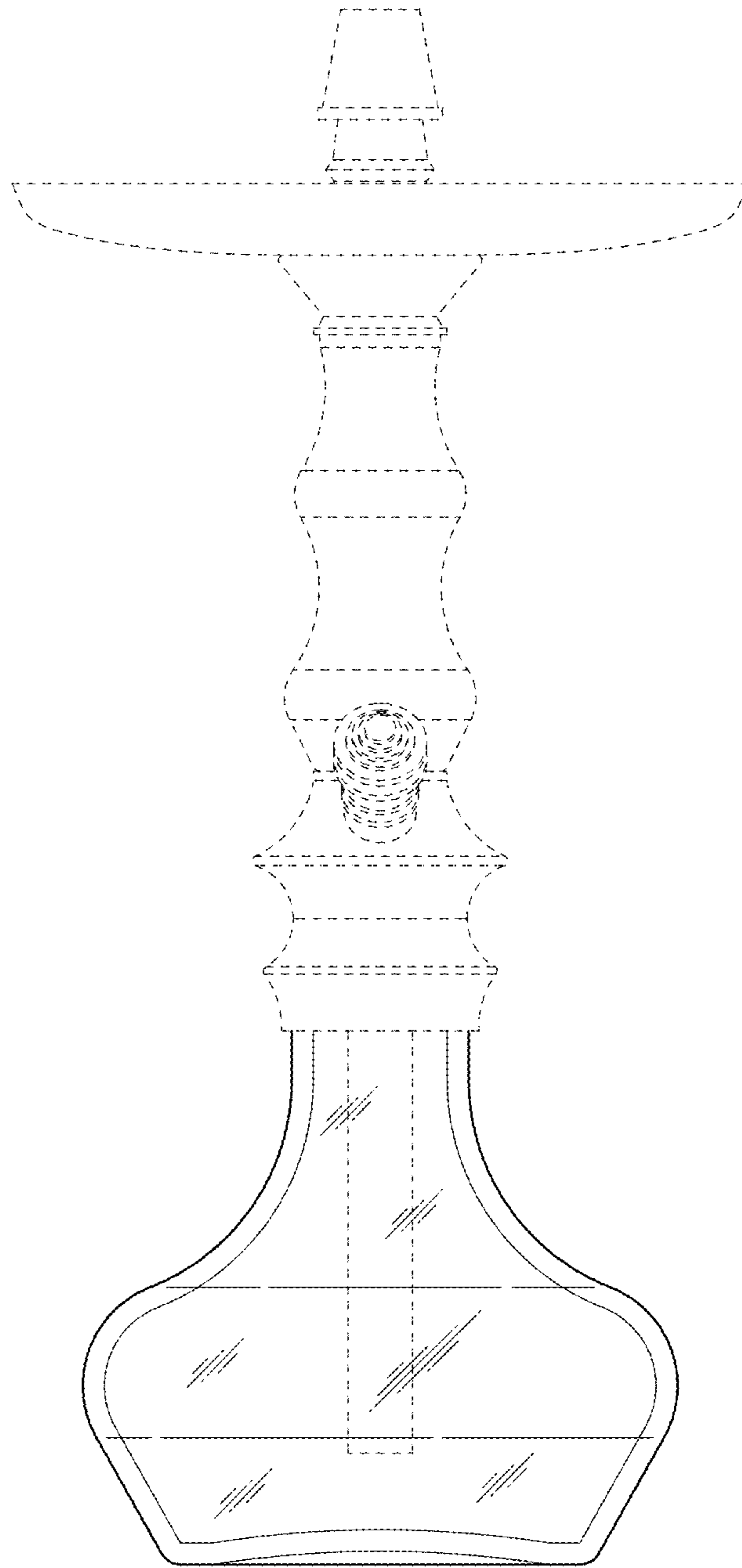
*FIG. 1*



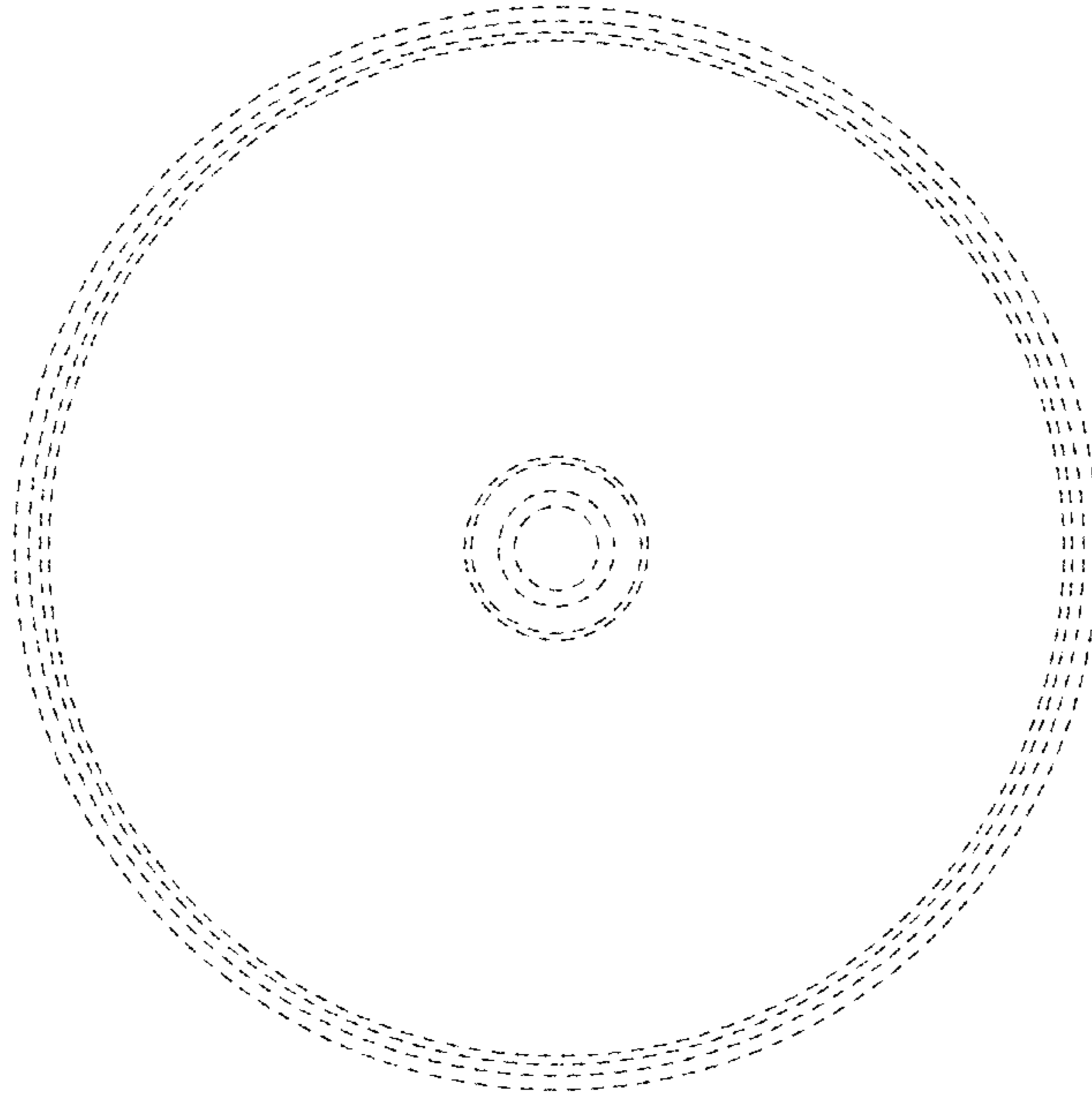
*FIG. 2*



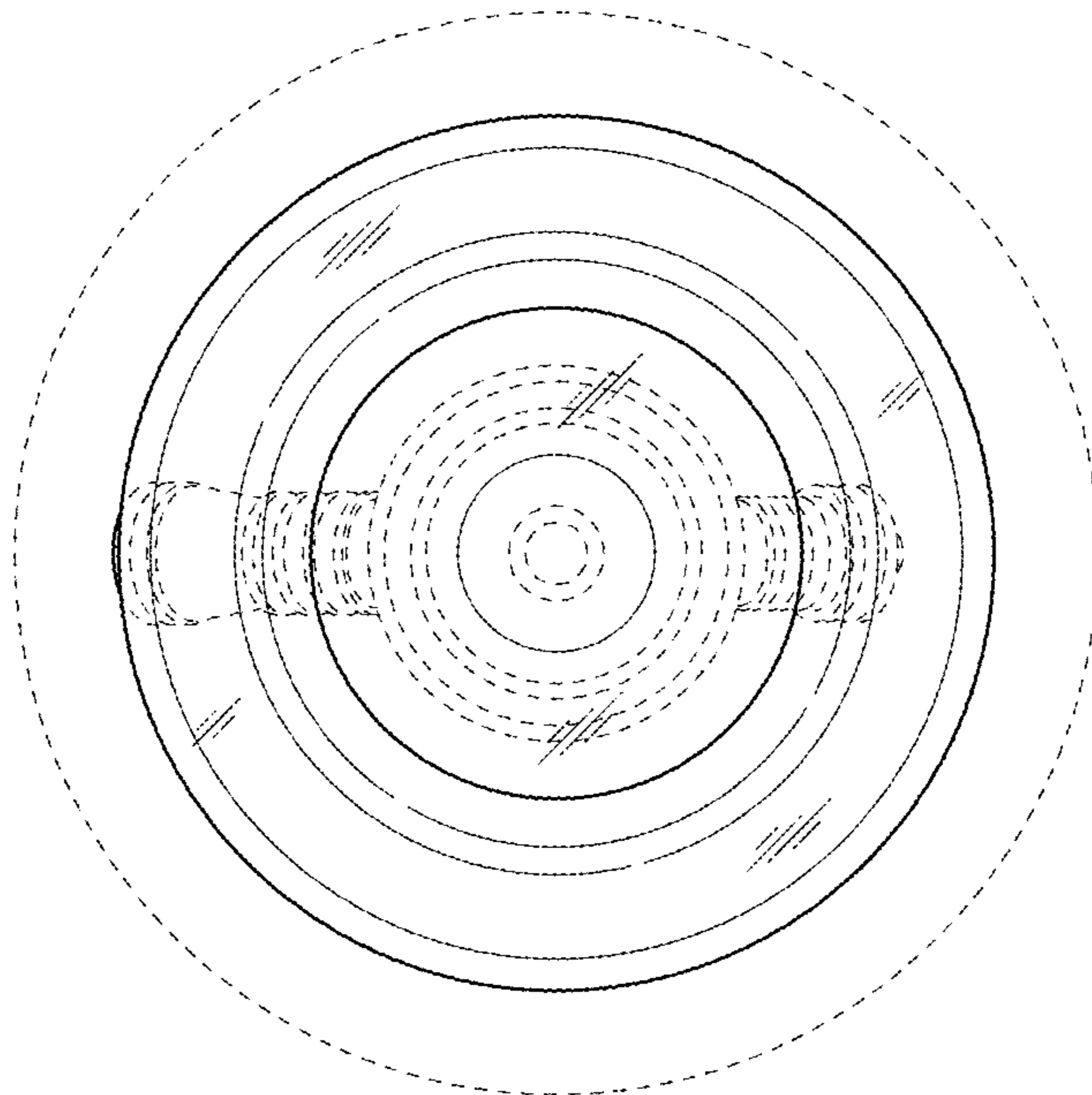
*FIG. 3*



*FIG. 4*



*FIG. 5*



*FIG. 6*