



US00D960437S

(12) **United States Design Patent** (10) **Patent No.:** **US D960,437 S**  
**Liu** (45) **Date of Patent:** **\*\* Aug. 9, 2022**

(54) **ELECTRONIC HOOKAH**  
(71) Applicant: **Shenzhen Eigate Technology Co., Ltd., Shenzhen (CN)**  
(72) Inventor: **Tuanfang Liu, Shenzhen (CN)**  
(73) Assignee: **SHENZHEN EIGATE TECHNOLOGY CO., LTD., Shenzhen (CN)**

D877,975 S \* 3/2020 Crowe ..... D27/162  
D882,165 S \* 4/2020 Ouyang ..... D27/162  
D893,798 S \* 8/2020 Liu ..... D27/162  
D898,993 S \* 10/2020 Li ..... D27/167  
D899,677 S \* 10/2020 Liu ..... D27/162  
D907,287 S \* 1/2021 Wang ..... D27/162  
D916,360 S \* 4/2021 Liu ..... D27/162  
D929,647 S \* 8/2021 Liu ..... D27/162  
D932,096 S \* 9/2021 Liu ..... D27/162  
D933,288 S \* 10/2021 Liu ..... D27/162  
D933,289 S \* 10/2021 Liu ..... D27/162  
D943,175 S \* 2/2022 Chen ..... D27/162  
D943,816 S \* 2/2022 Liu ..... D27/162

(\*\*) Term: **15 Years**

(21) Appl. No.: **29/765,396**  
(22) Filed: **Jan. 7, 2021**

(30) **Foreign Application Priority Data**  
Jul. 7, 2020 (CN) ..... 202030359759.5  
(51) **LOC (13) Cl.** ..... **27-02**  
(52) **U.S. Cl.**  
USPC ..... **D27/162**  
(58) **Field of Classification Search**  
USPC ..... D27/100, 103, 162-165, 167, 169, 172,  
D27/180, 183, 194; D23/360, 366  
CPC ..... A24F 1/30; A24F 1/02; A24F 1/00; A24F  
47/008; A24F 47/002; A61M 11/00  
See application file for complete search history.

(56) **References Cited**  
**U.S. PATENT DOCUMENTS**  
D722,956 S \* 2/2015 Alima ..... D13/103  
D724,264 S \* 3/2015 Chambers ..... D27/101  
D779,722 S \* 2/2017 Volodarsky ..... D27/162  
D798,499 S \* 9/2017 Elhalwani ..... D27/167  
D805,248 S \* 12/2017 Chen ..... D27/170  
D806,942 S \* 1/2018 Qiu ..... D27/101  
D849,317 S \* 5/2019 Qiu ..... D27/162

**OTHER PUBLICATIONS**

Eleaf Vaping Kit By: The Vaping Kiwi found on line (325/2022)  
<https://thevapingkiwi.co.nz/eleaf-ijust-s-kit#reviews>.\*

\* cited by examiner

*Primary Examiner* — Rebecca Tsehaye  
(74) *Attorney, Agent, or Firm* — Matthias Scholl P.C.;  
Matthias Scholl

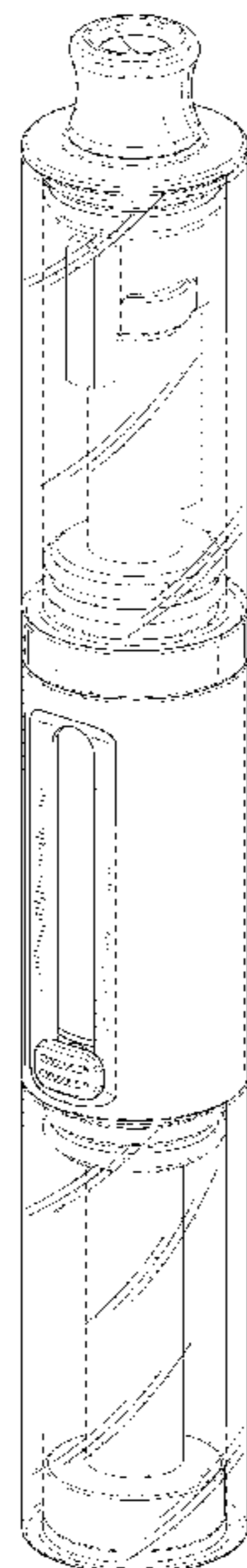
(57) **CLAIM**

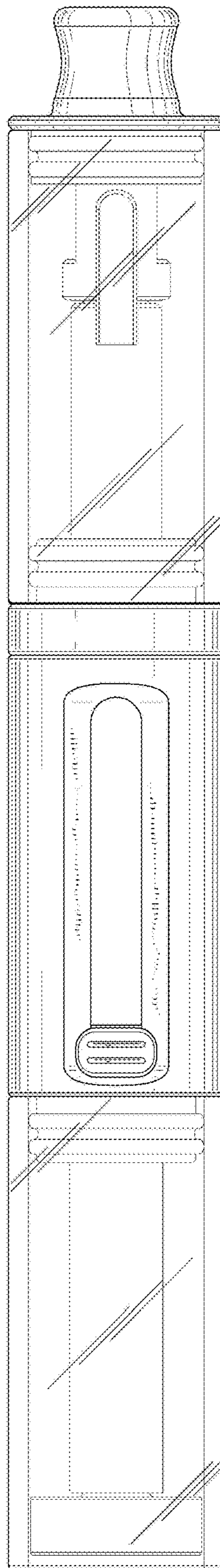
The ornamental design for an electronic hookah, as shown and described.

**DESCRIPTION**

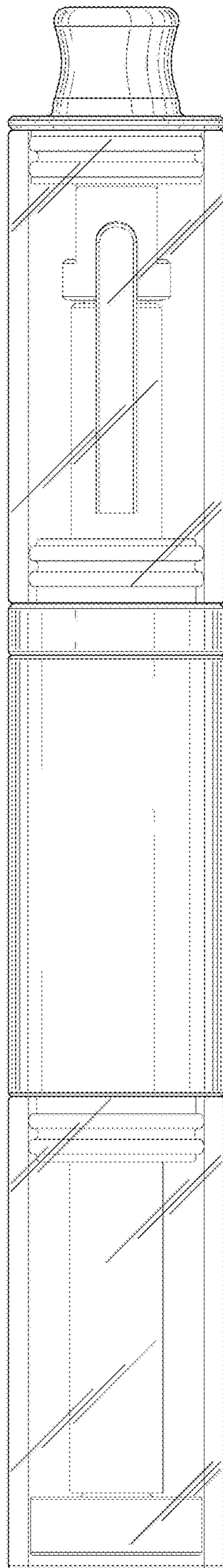
FIG. 1 is a front elevation view of an electronic hookah;  
FIG. 2 is a rear elevation view thereof;  
FIG. 3 is a left-side elevation view thereof;  
FIG. 4 is a right-side elevation view thereof;  
FIG. 5 is a top plan view thereof;  
FIG. 6 is a bottom plan view thereof; and,  
FIG. 7 is a perspective view thereof.  
The broken lines depict portions of the electronic hookah that form no part of the claimed design.

**1 Claim, 7 Drawing Sheets**

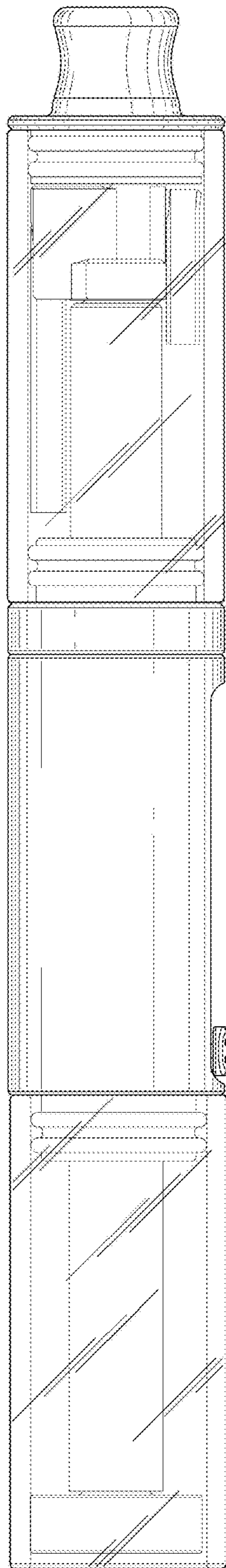




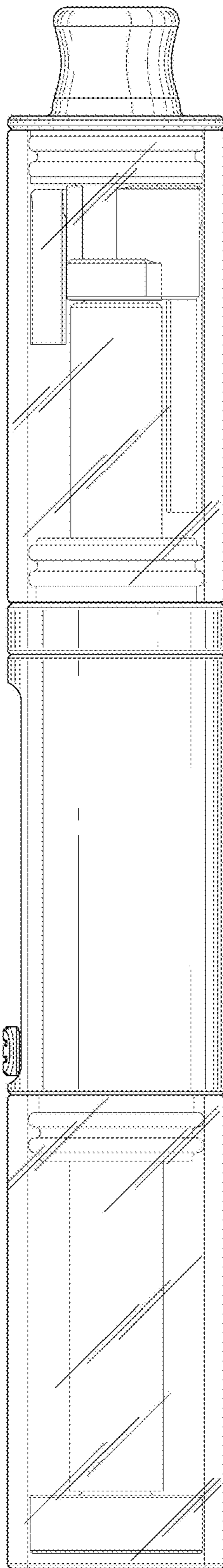
**FIG. 1**



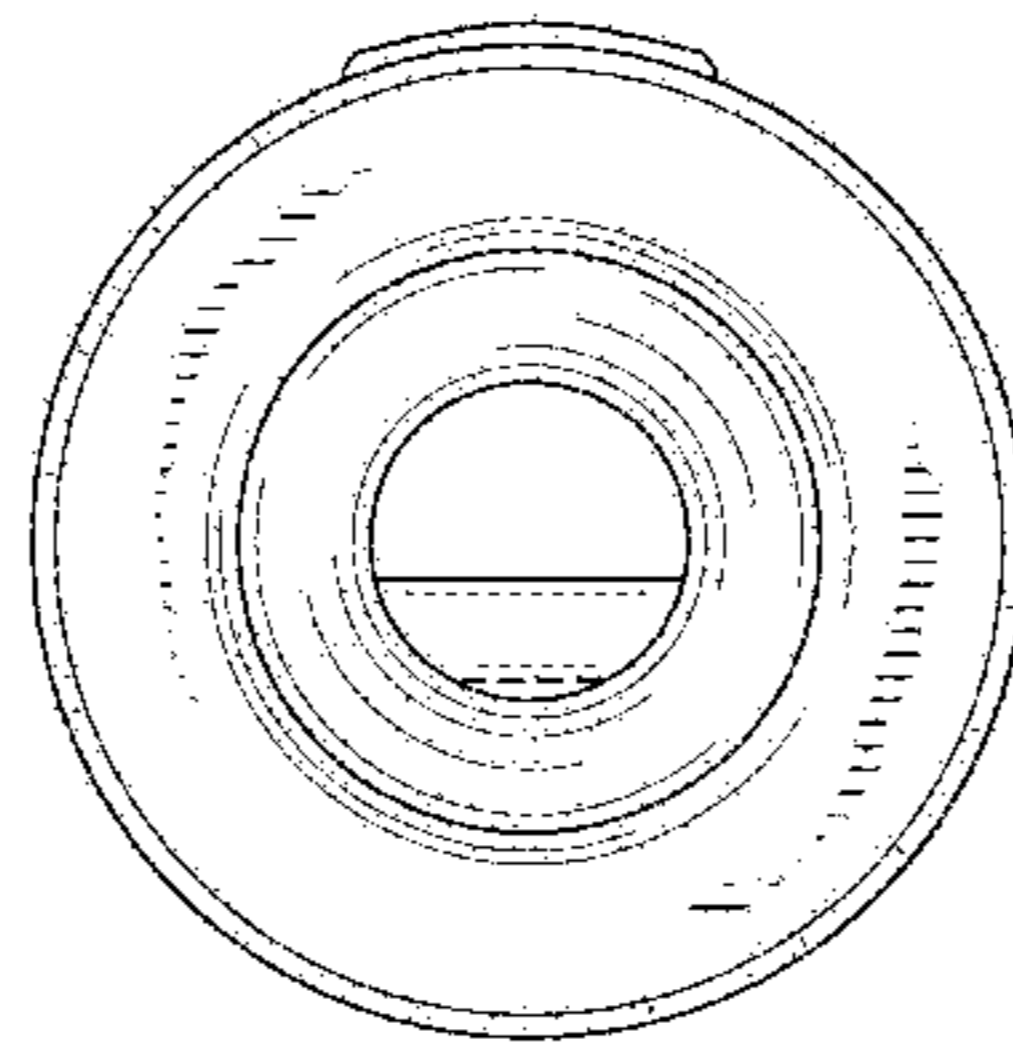
**FIG. 2**



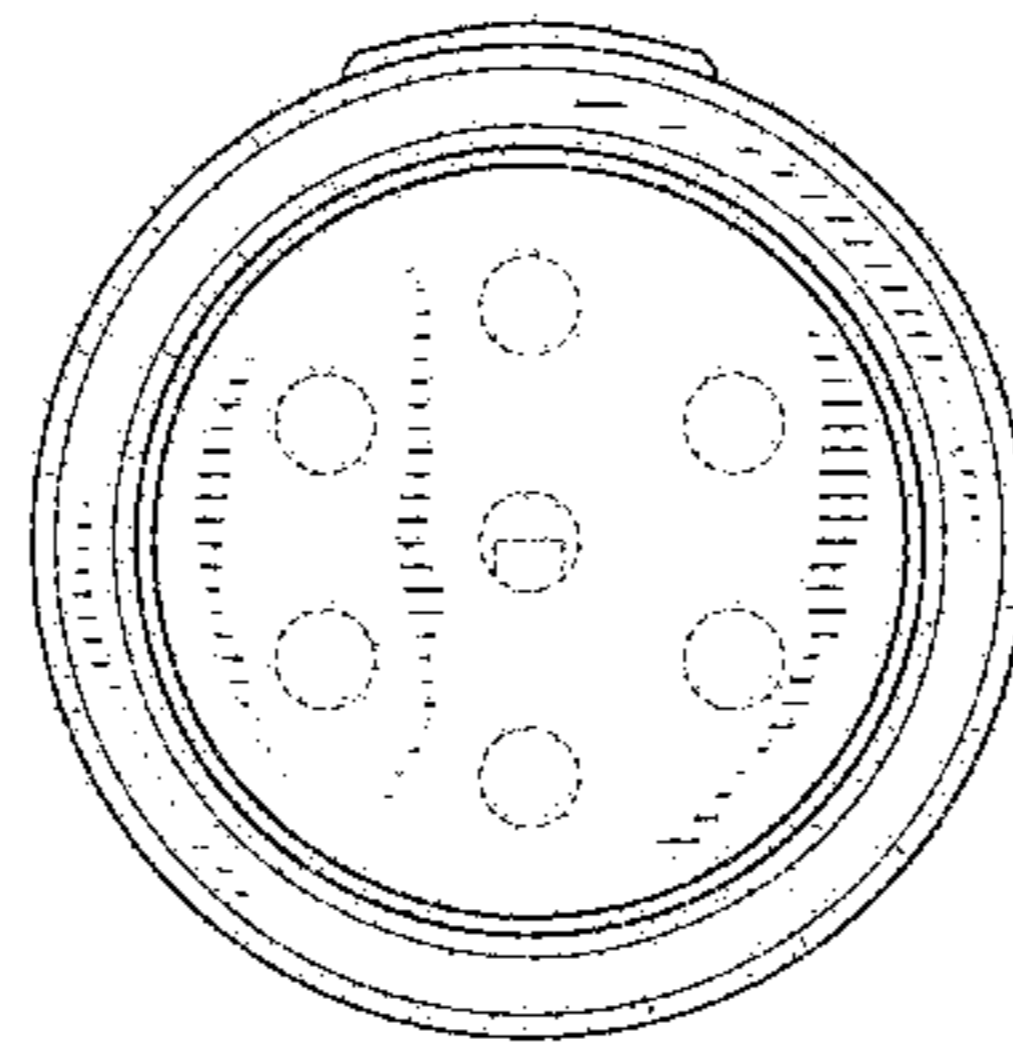
**FIG. 3**



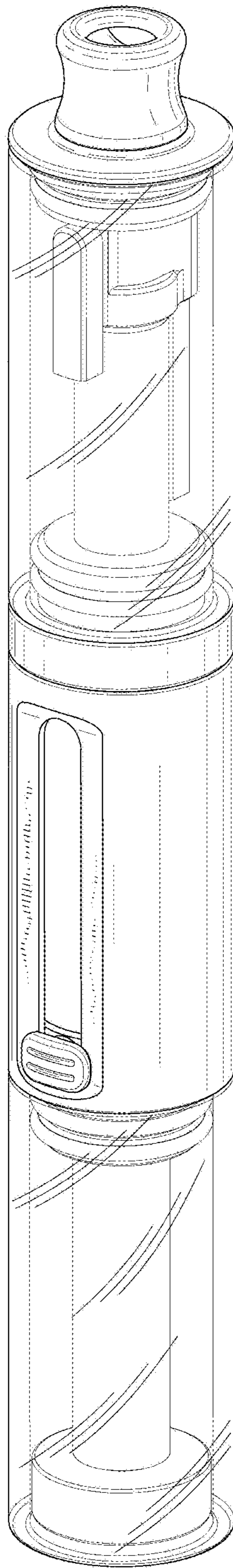
**FIG. 4**



**FIG. 5**



**FIG. 6**



**FIG. 7**