



US00D960436S

(12) **United States Design Patent**
Liu

(10) **Patent No.:** **US D960,436 S**

(45) **Date of Patent:** **** Aug. 9, 2022**

(54) **ELECTRONIC CIGARETTE ATOMIZER**

(71) Applicant: **Shenzhen Eigate Technology Co., Ltd.**, Shenzhen (CN)

(72) Inventor: **Tuanfang Liu**, Shenzhen (CN)

(73) Assignee: **SHENZHEN EIGATE TECHNOLOGY CO., LTD.**, Shenzhen (CN)

(**) Term: **15 Years**

(21) Appl. No.: **29/765,278**

(22) Filed: **Jan. 7, 2021**

(30) **Foreign Application Priority Data**

Jul. 7, 2020 (CN) 202030360144.4

(51) **LOC (13) Cl.** **27-02**

(52) **U.S. Cl.**
USPC **D27/162**

(58) **Field of Classification Search**
USPC D27/162, 100, 101, 163–165, 167, 169,
D27/172, 183, 185–192, 194;
D13/107–109, 137.2; D14/435.1;
D24/110, 110.5
CPC A24F 47/008; A24F 47/006; A24F 47/002;
A61M 15/00; A61M 15/06
See application file for complete search history.

(56) **References Cited**

U.S. PATENT DOCUMENTS

D649,285 S * 11/2011 Maldonado D27/196
D773,115 S * 11/2016 Liu D27/167

D817,543 S * 5/2018 Liu D27/167
D927,058 S * 8/2021 Liu D27/162
11,219,724 B2 * 1/2022 Liu H05B 3/04
D943,174 S * 2/2022 Liu D27/162
D943,178 S * 2/2022 Liu D27/162
2021/0106056 A1 * 4/2021 Liu H05B 3/16
2021/0106057 A1 * 4/2021 Liu H05B 3/42
2021/0212372 A1 * 7/2021 Liu A24F 40/485
2021/0410230 A1 * 12/2021 Liu A24F 40/46

* cited by examiner

Primary Examiner — Rebecca Tsehaye

(74) *Attorney, Agent, or Firm* — Matithas Scholl P.C.;
Matthias Scholl

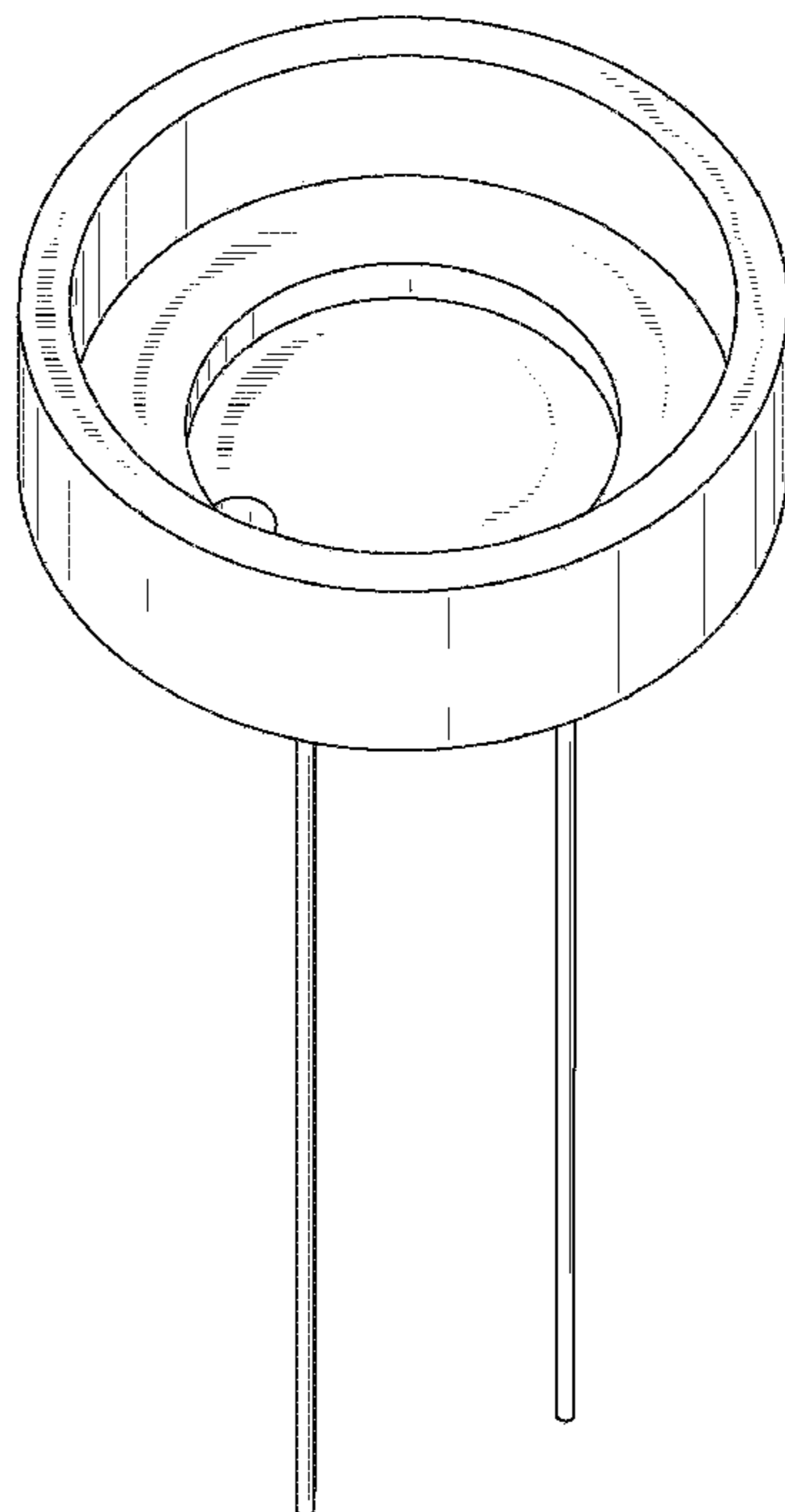
(57) **CLAIM**

The ornamental design for an electronic cigarette atomizer,
as shown and described.

DESCRIPTION

FIG. 1 is a front elevation view of an electronic cigarette atomizer;
FIG. 2 is a left-side elevation view thereof;
FIG. 3 is a rear elevation view thereof;
FIG. 4 is a right-side elevation view thereof;
FIG. 5 is a top plan view thereof;
FIG. 6 is a bottom plan view thereof;
FIG. 7 is a perspective view thereof; and,
FIG. 8 is a bottom perspective view thereof.

1 Claim, 8 Drawing Sheets



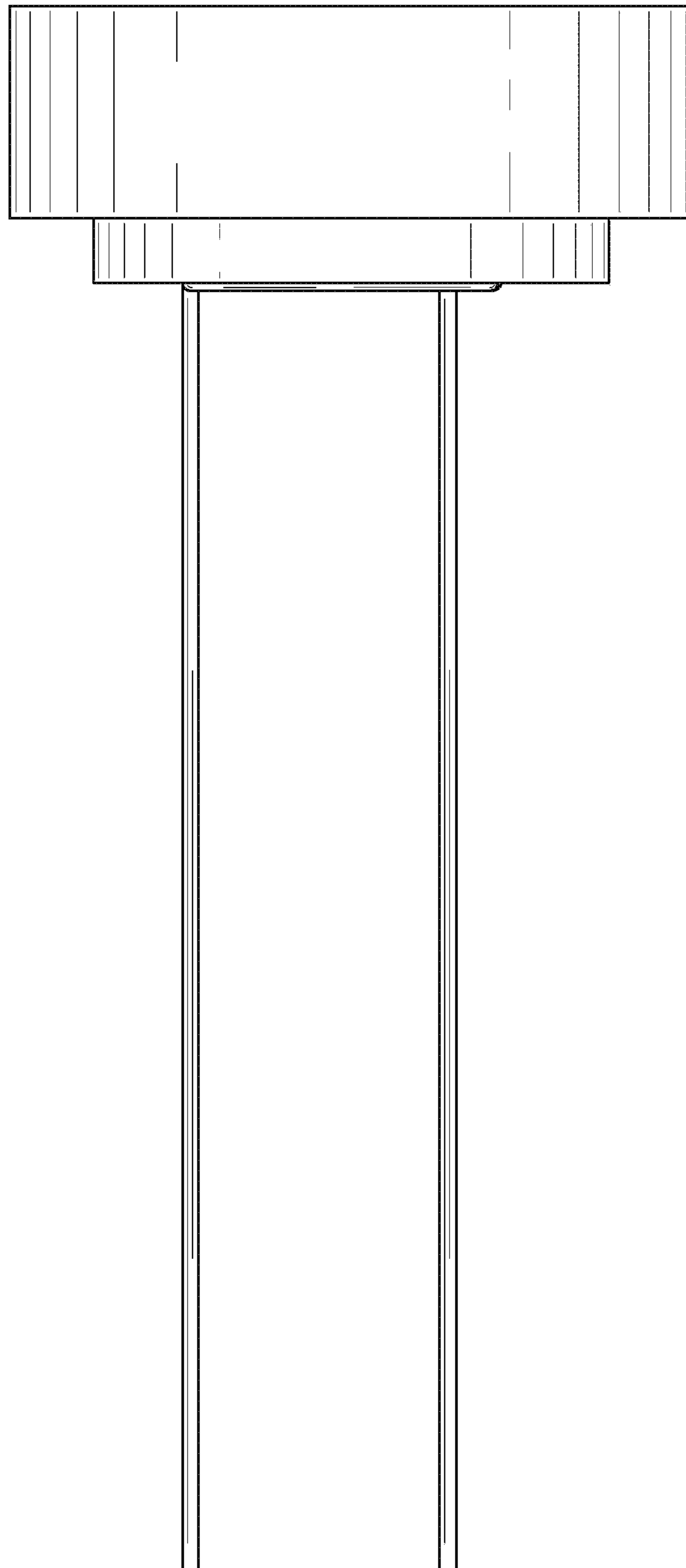


FIG. 1

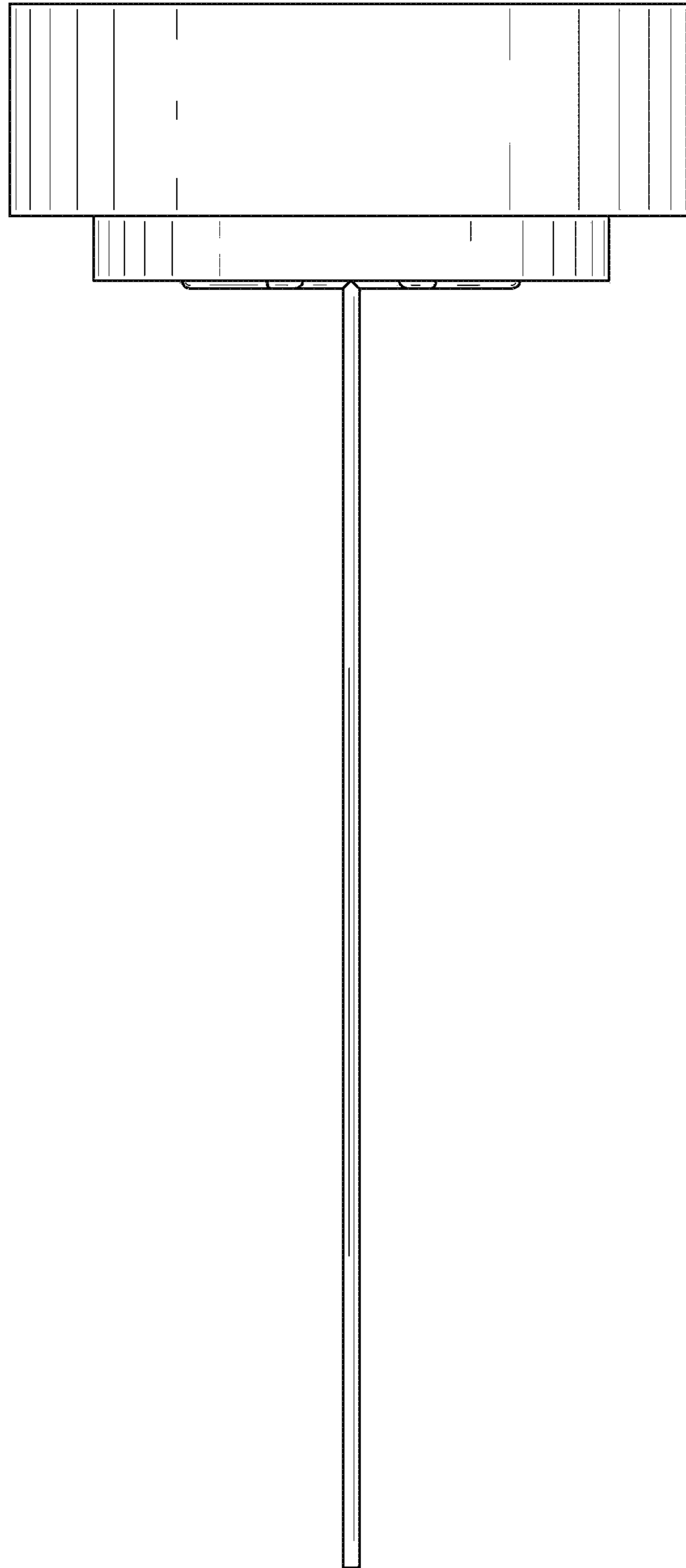


FIG. 2

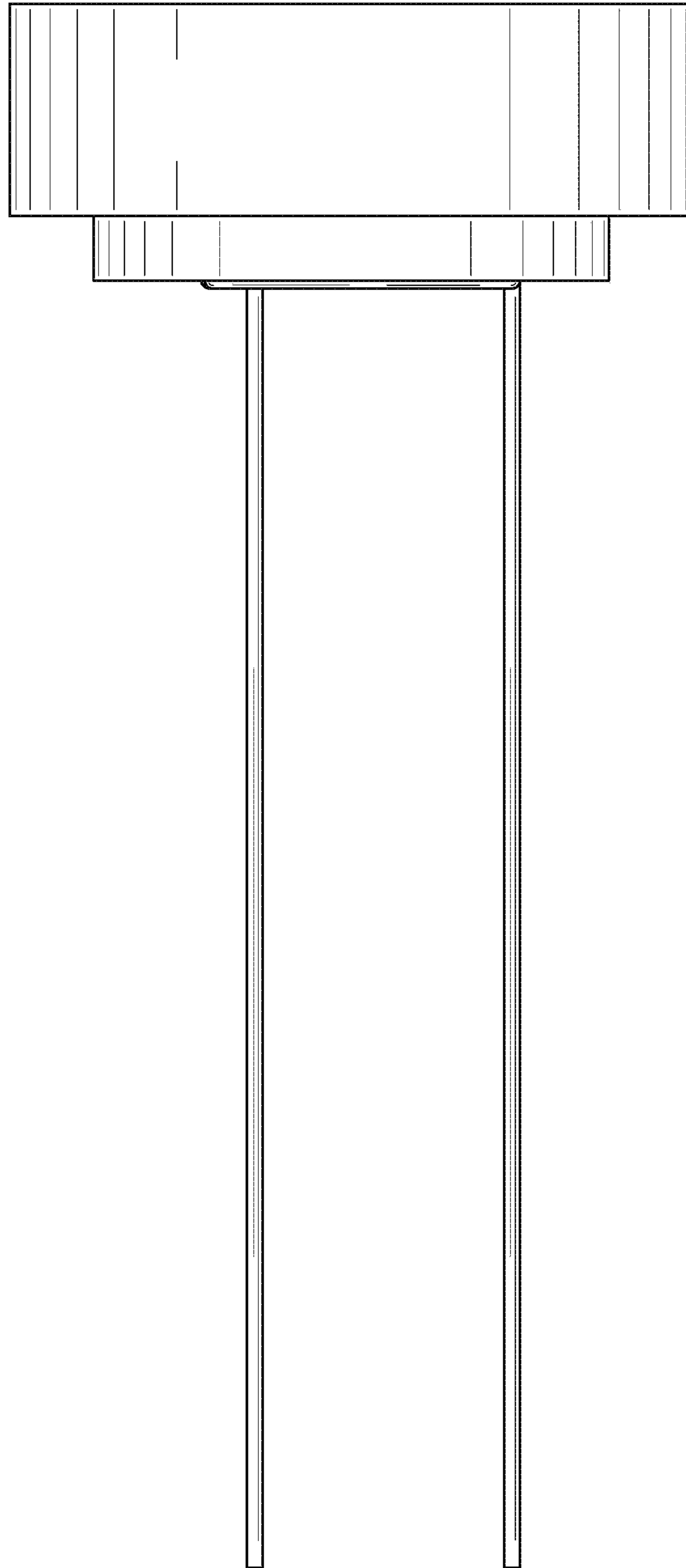


FIG. 3

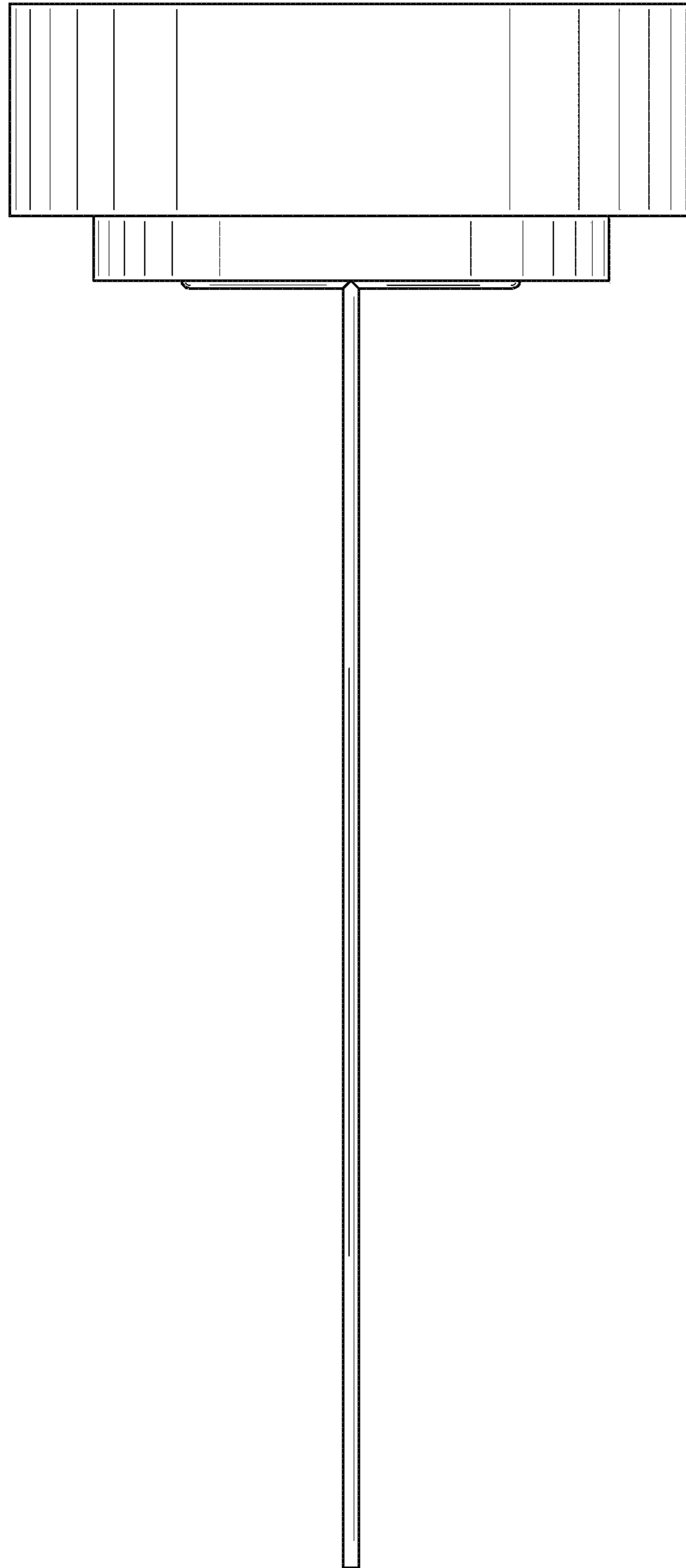


FIG. 4

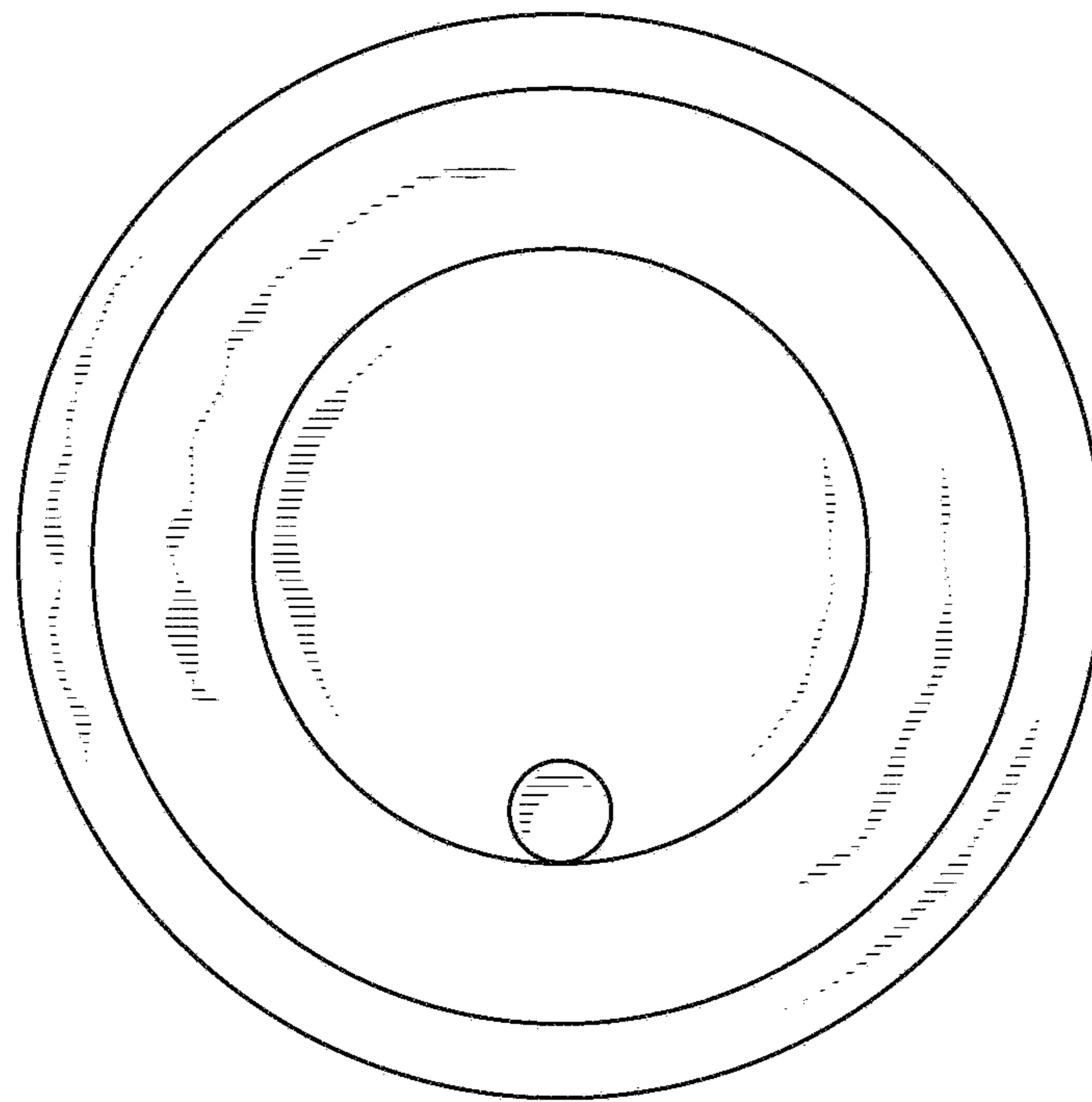


FIG. 5

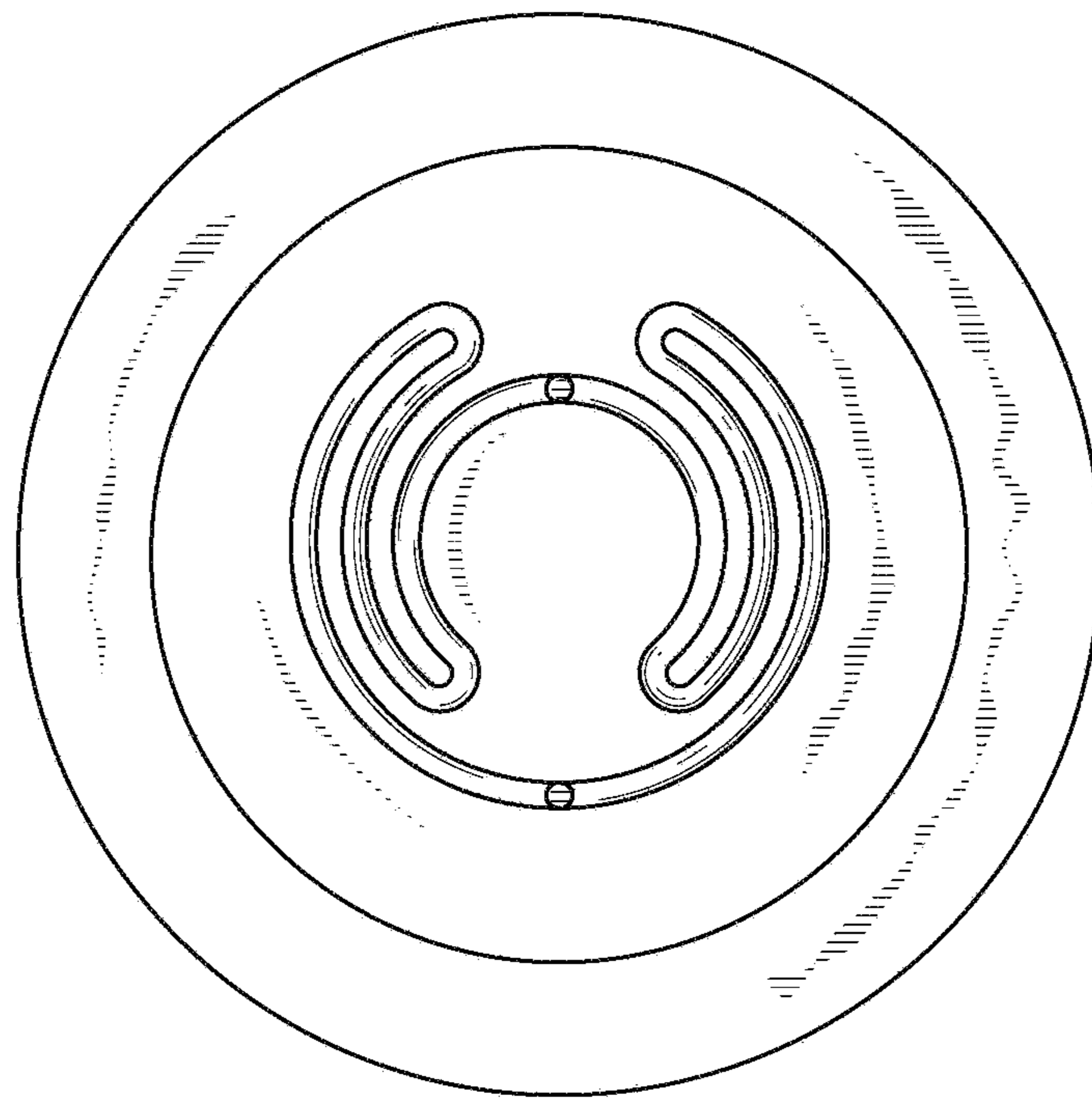


FIG. 6

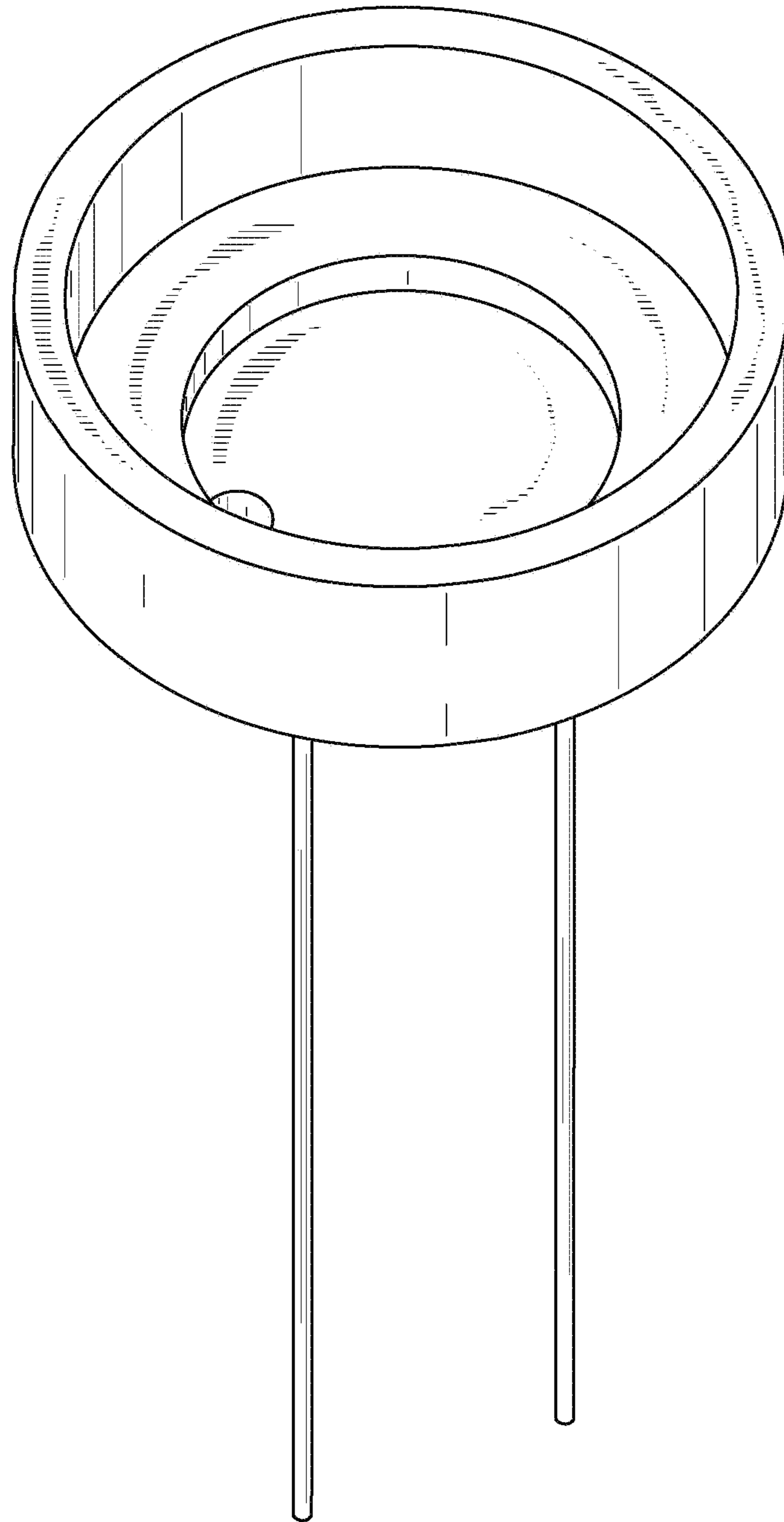


FIG. 7

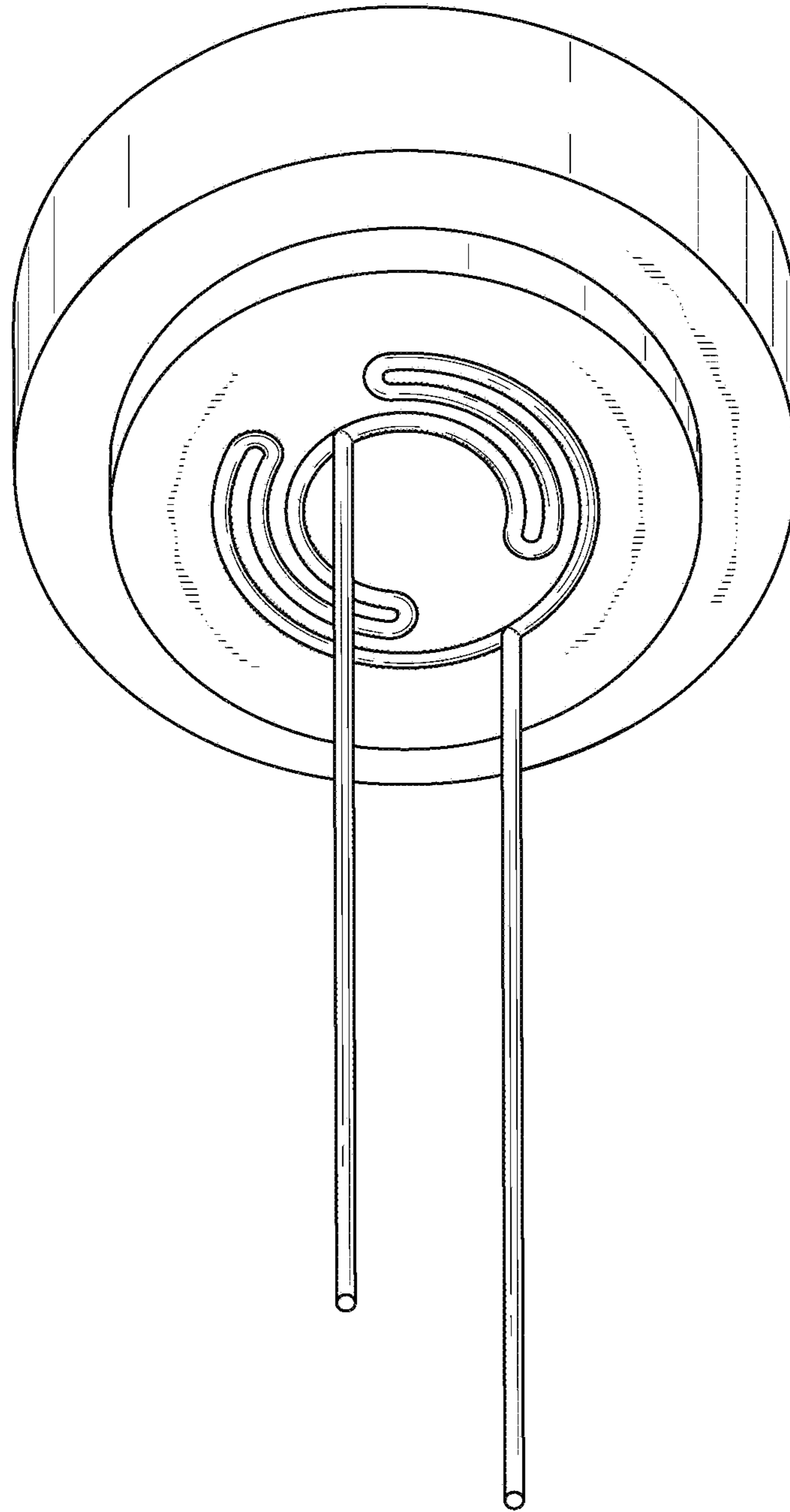


FIG. 8