

US00D960435S

(12) **United States Design Patent**  
**Liu**

(10) **Patent No.:** **US D960,435 S**

(45) **Date of Patent:** **\*\* Aug. 9, 2022**

(54) **HEATING HANDLE**

(71) Applicant: **Shenzhen Eigate Technology Co., Ltd.**, Shenzhen (CN)

(72) Inventor: **Tuanfang Liu**, Shenzhen (CN)

(73) Assignee: **SHENZHEN EIGATE TECHNOLOGY CO., LTD.**, Shenzhen (CN)

(\*\*) Term: **15 Years**

(21) Appl. No.: **29/765,277**

(22) Filed: **Jan. 7, 2021**

(30) **Foreign Application Priority Data**

Jul. 7, 2020 (CN) ..... 202030360147.8

(51) **LOC (13) Cl.** ..... **27-02**

(52) **U.S. Cl.**  
USPC ..... **D27/162**

(58) **Field of Classification Search**  
USPC ..... D27/162, 100, 101, 163–165, 167, 172,  
D27/183, 185–194; D23/314, 316, 322,  
D23/328, 499; D13/102–107, 118, 119;  
D7/109

CPC ..... A24F 40/00; A61M 15/00; A61M 15/06  
See application file for complete search history.

(56) **References Cited**

**U.S. PATENT DOCUMENTS**

D550,499 S \* 9/2007 Argabrite ..... D7/311  
D555,969 S \* 11/2007 Picozza ..... D7/311

D620,301 S \* 7/2010 Picozza ..... D7/311  
D777,976 S \* 1/2017 Mahlmeister ..... D27/165  
D805,028 S \* 12/2017 Liu ..... D27/101  
D870,251 S \* 12/2019 Vostal ..... D23/314  
D877,409 S \* 3/2020 Jiang ..... D27/162  
D889,180 S \* 7/2020 Krause ..... D7/311  
D904,818 S \* 12/2020 Bazzicalupo ..... D7/309  
D936,567 S \* 11/2021 Wang ..... D13/103

\* cited by examiner

*Primary Examiner* — Rebecca Tsehaye

(74) *Attorney, Agent, or Firm* — Matthias Scholl P.C.;  
Matthias Scholl

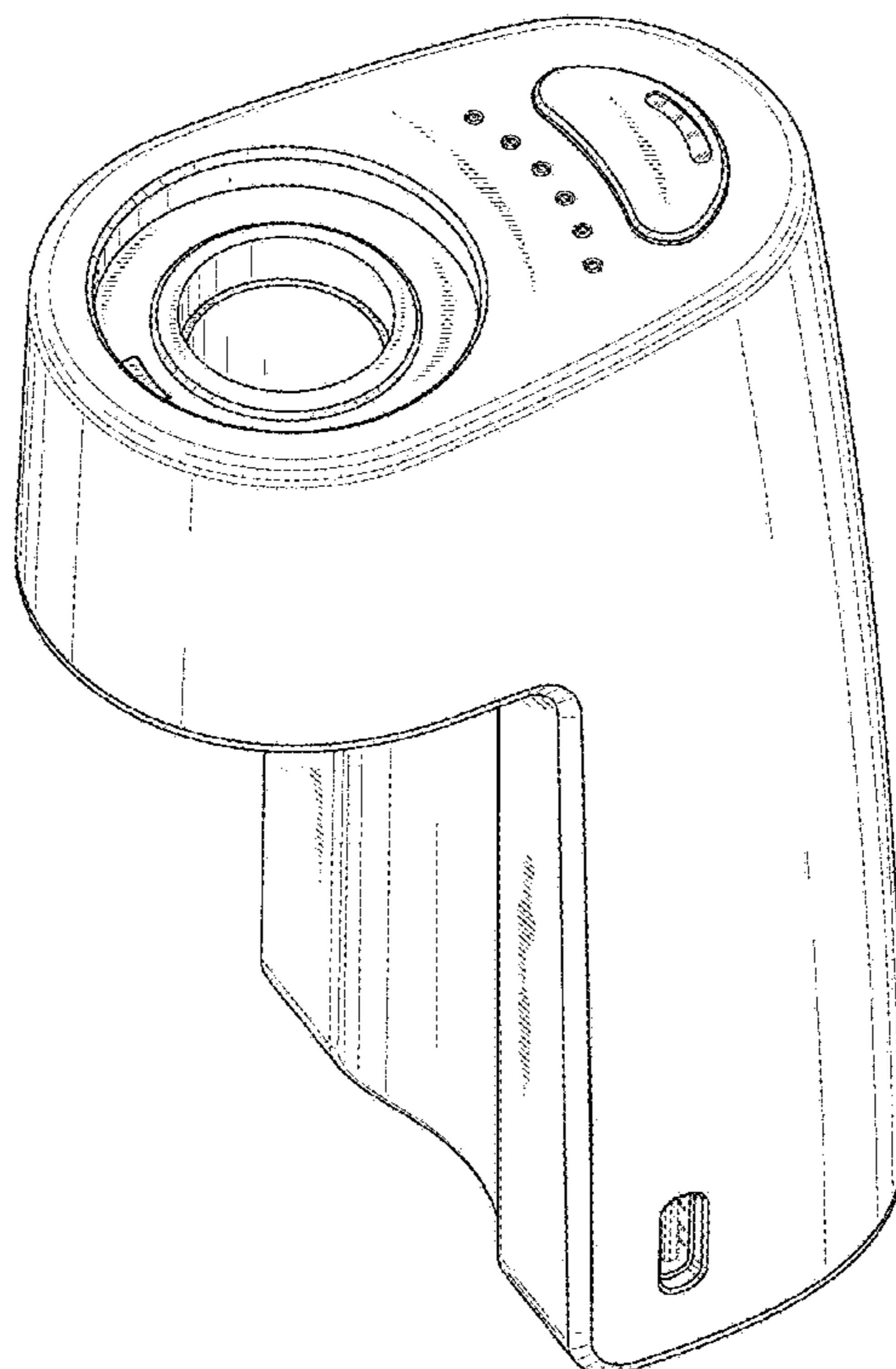
(57) **CLAIM**

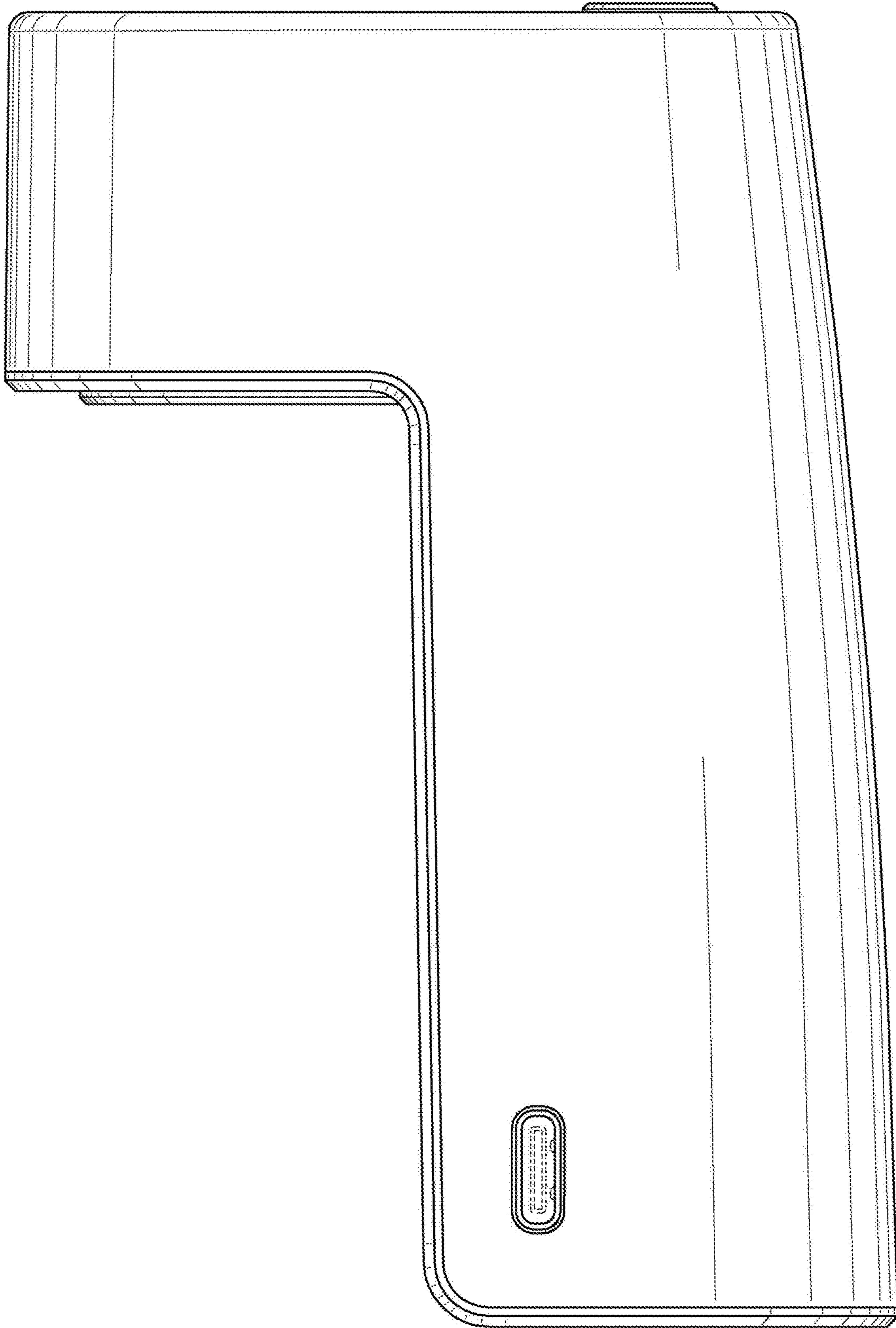
The ornamental design for a heating handle, as shown and described.

**DESCRIPTION**

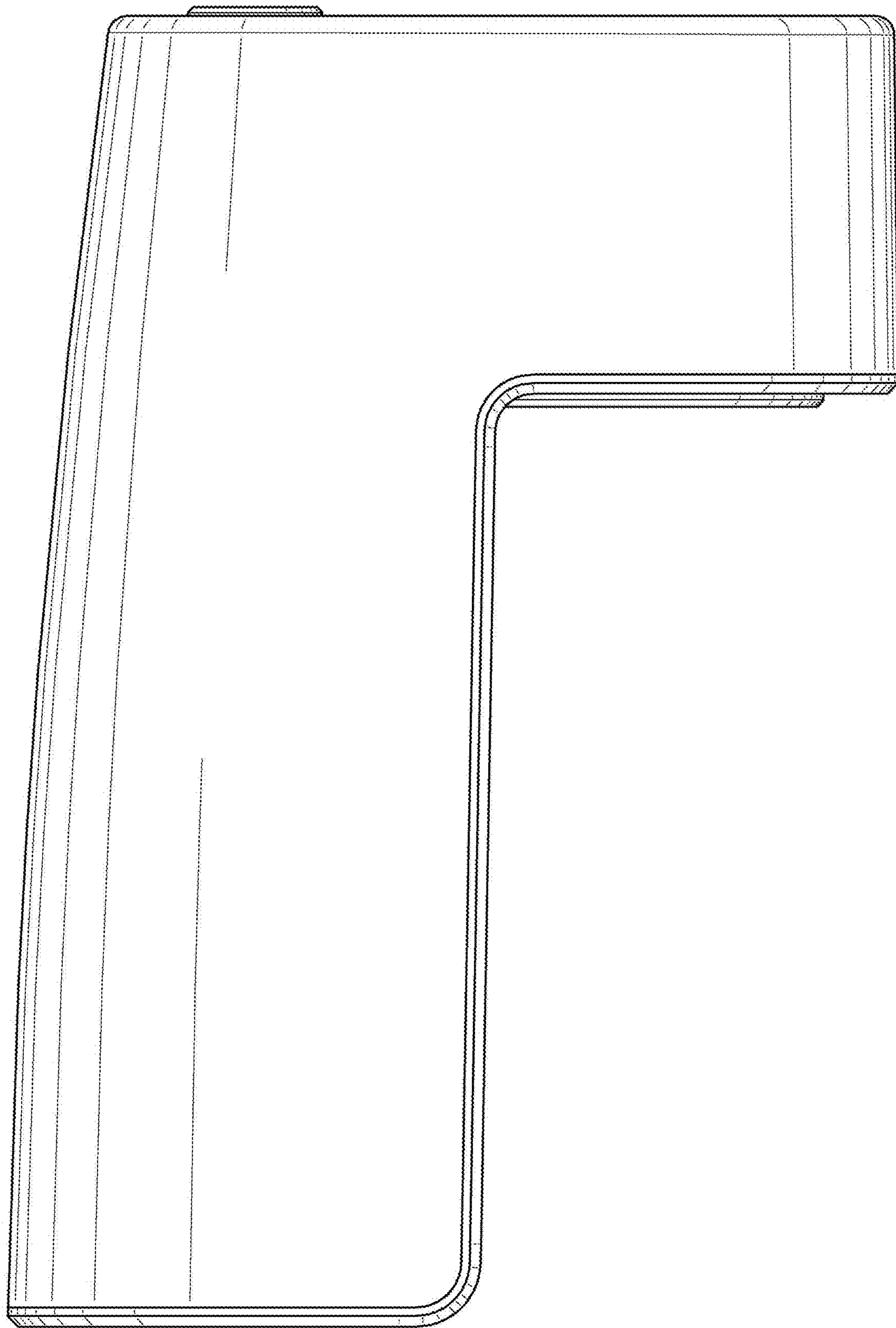
FIG. 1 is a front elevation view of a heating handle;  
FIG. 2 is a rear elevation view thereof;  
FIG. 3 is a left-side elevation view thereof;  
FIG. 4 is a right-side elevation view thereof;  
FIG. 5 is a top plan view thereof;  
FIG. 6 is a bottom plan view thereof;  
FIG. 7 is a perspective view thereof; and,  
FIG. 8 is a bottom perspective view thereof.  
The broken lines depict portions of the heating handle that form no part of the claimed design.

**1 Claim, 8 Drawing Sheets**

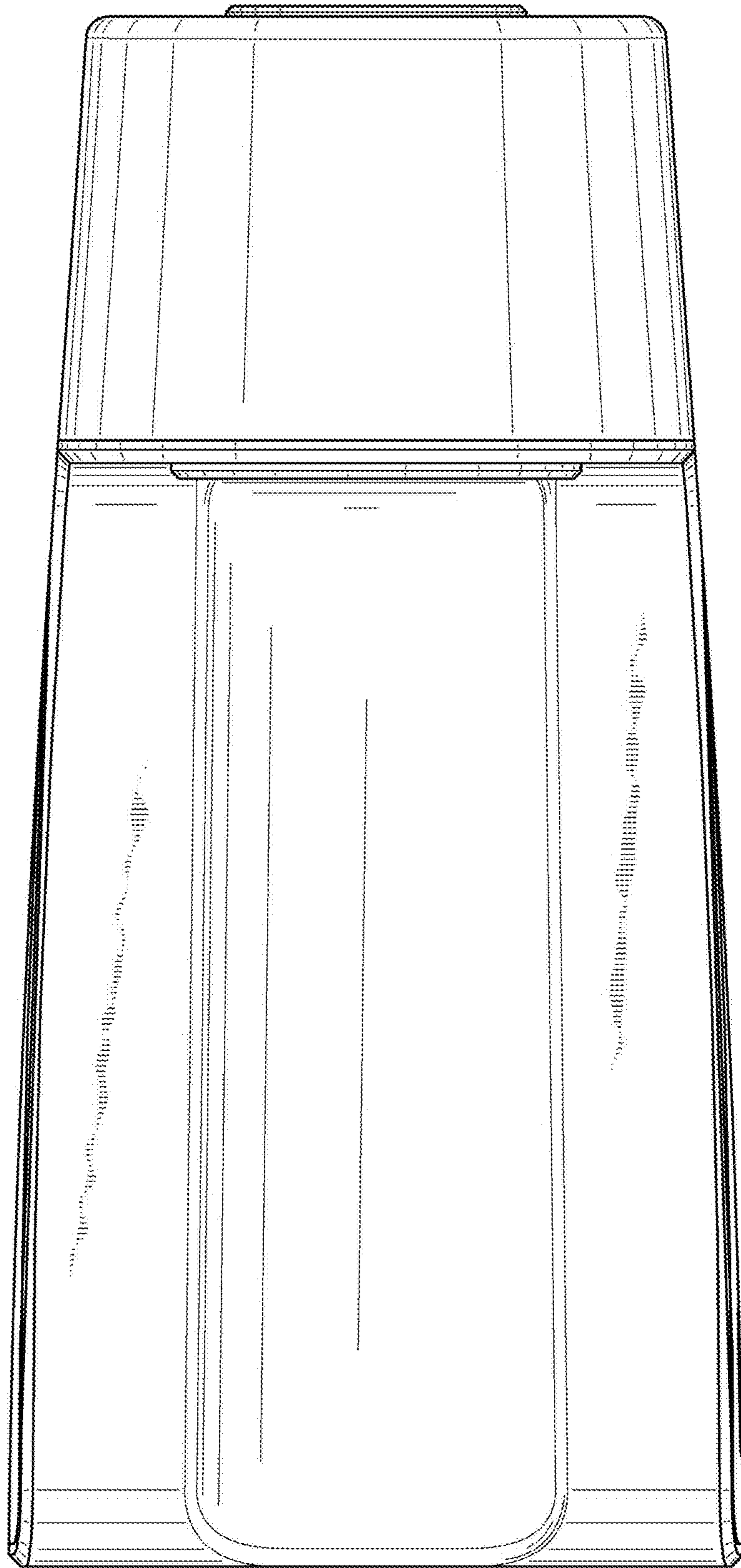




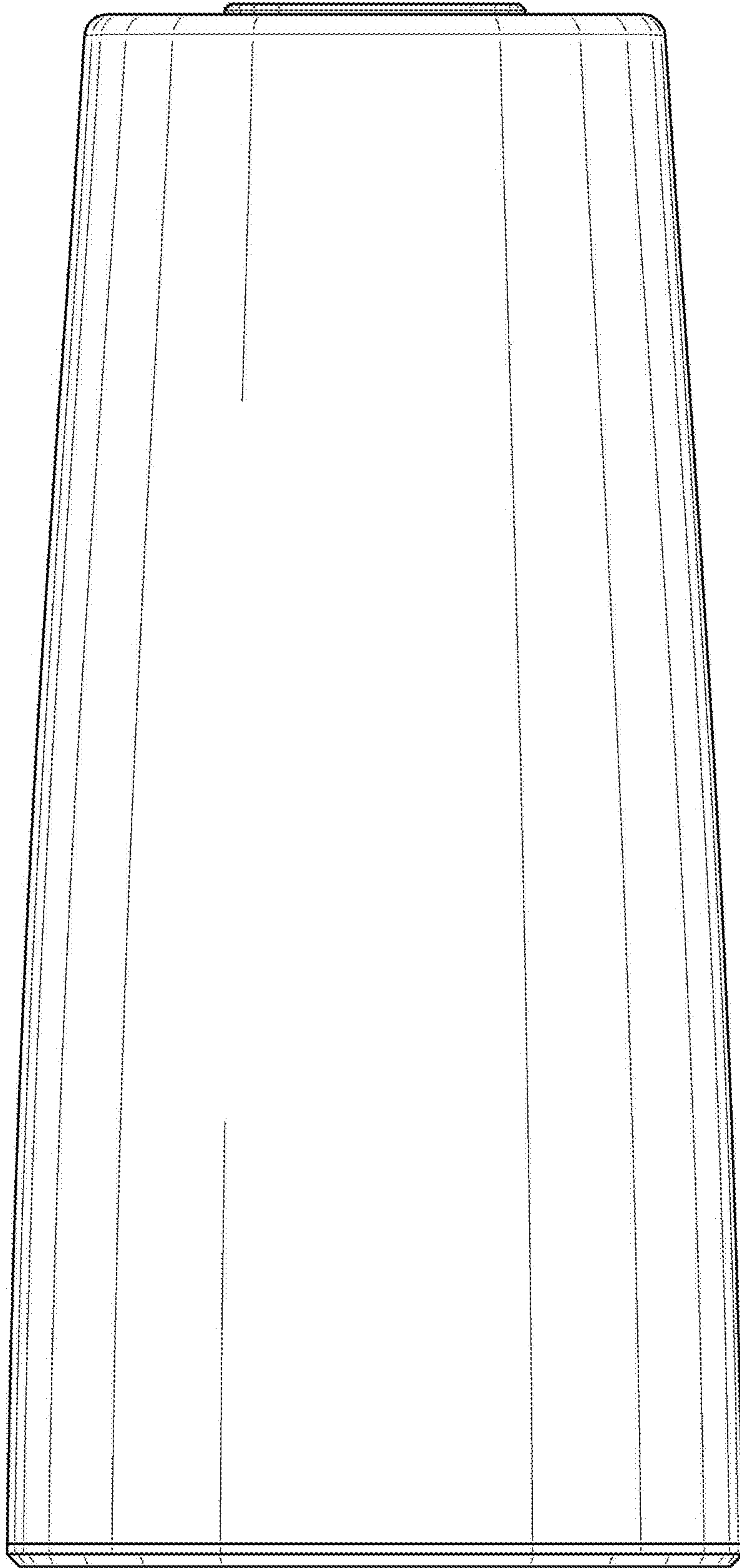
**FIG. 1**



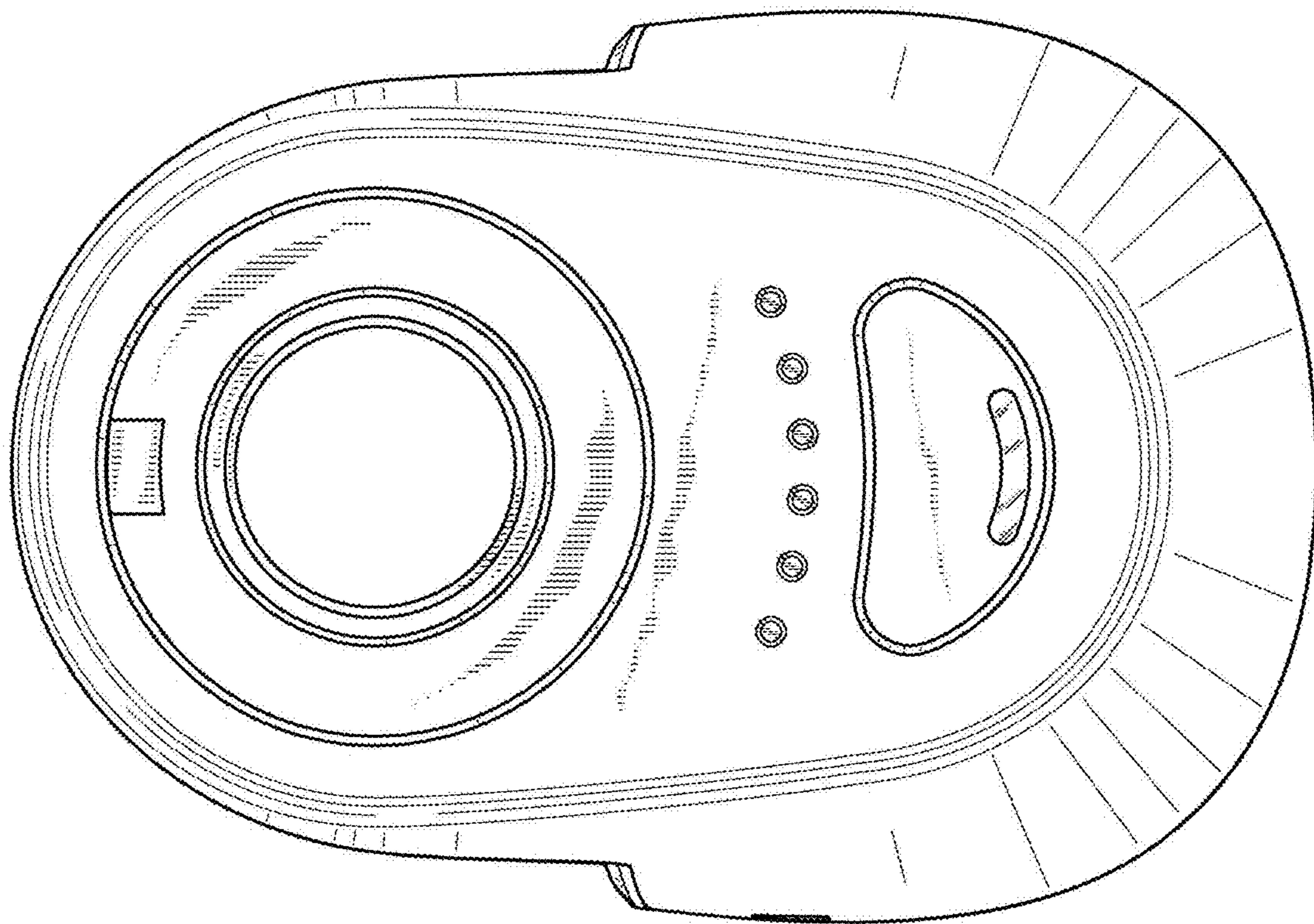
**FIG. 2**



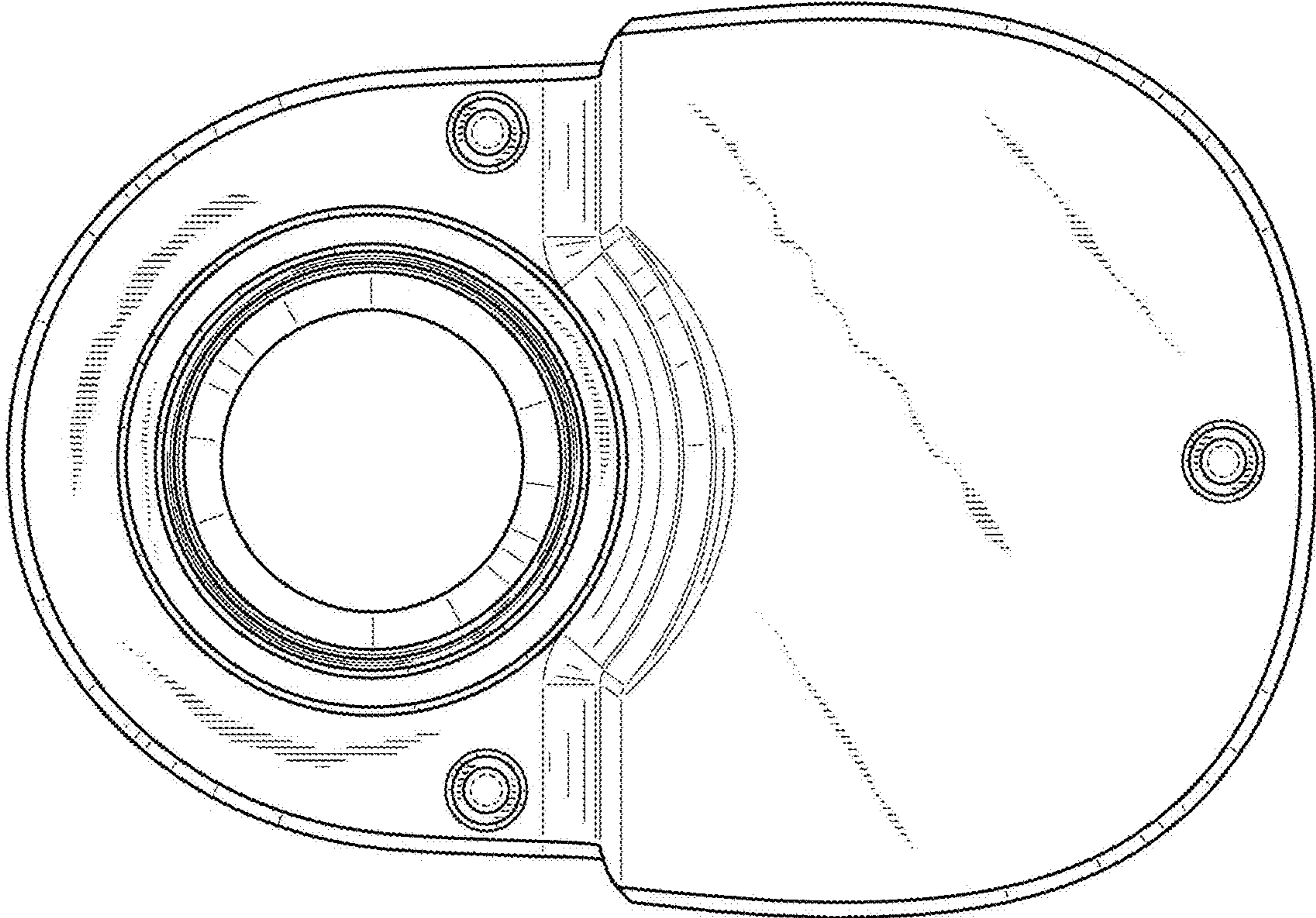
**FIG. 3**



**FIG. 4**



**FIG. 5**



**FIG. 6**

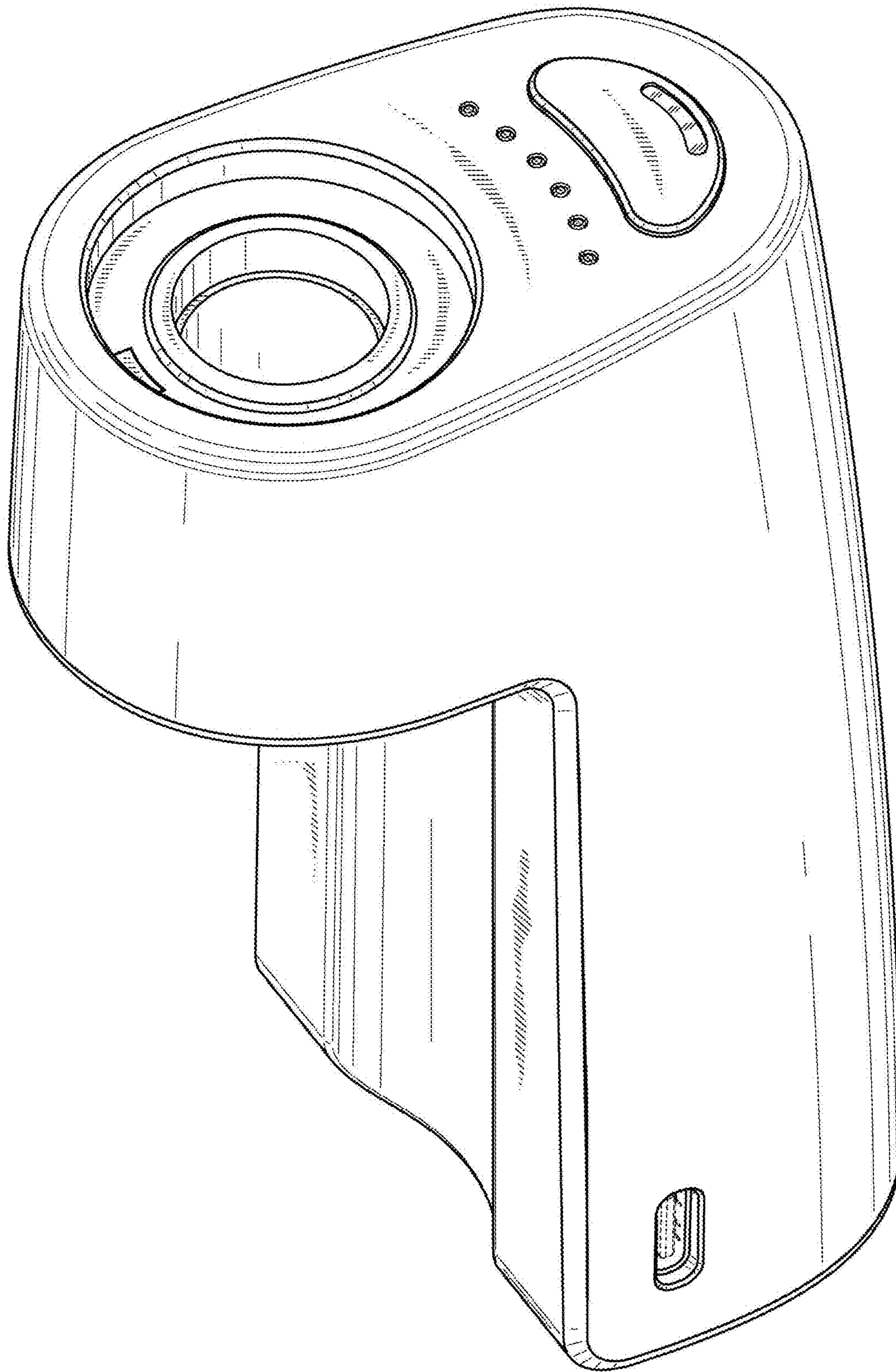


FIG. 7



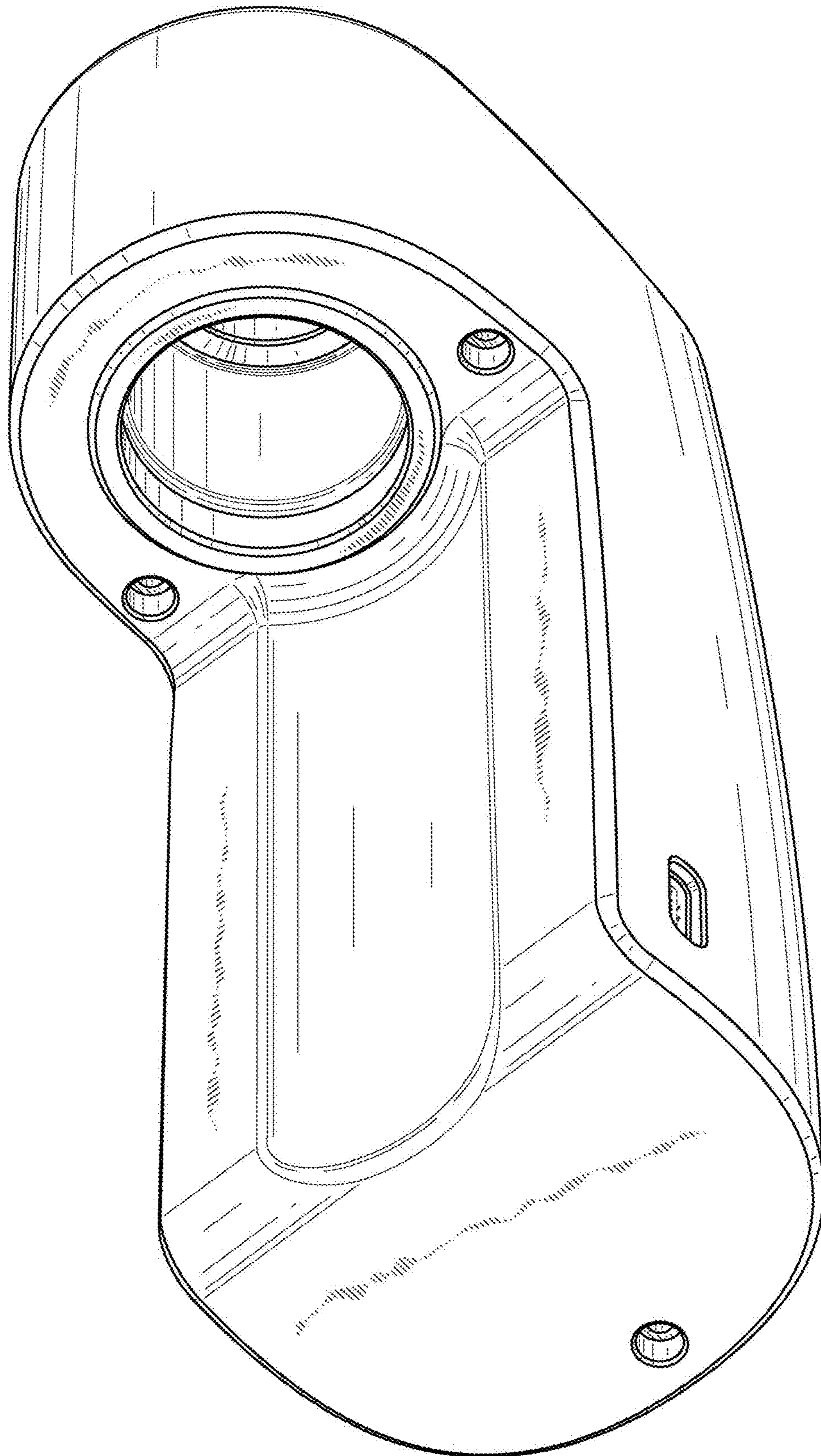


FIG. 8