

US00D960433S

(12) **United States Design Patent** (10) **Patent No.:** **US D960,433 S**
Liu (45) **Date of Patent:** **** Aug. 9, 2022**

(54) **ELECTRONIC CIGARETTE**
(71) Applicant: **Shenzhen Eigate Technology Co., Ltd.**, Shenzhen (CN)
(72) Inventor: **Tuanfang Liu**, Shenzhen (CN)
(73) Assignee: **SHENZHEN EIGATE TECHNOLOGY CO., LTD.**, Shenzhen (CN)
(**) Term: **15 Years**

D821,639 S * 6/2018 Dai D27/162
D828,622 S * 9/2018 Chen D27/162
D831,269 S * 10/2018 Qiu D27/162
D836,242 S * 12/2018 Xu D27/162
D844,232 S * 3/2019 Qiu D27/163
D890,416 S * 7/2020 Ouyang D27/162
D907,288 S * 1/2021 Liu D27/162
D910,907 S * 2/2021 Liu D27/162
D914,278 S * 3/2021 Luo D27/162
D939,762 S * 12/2021 Liu D27/162
D943,164 S * 2/2022 Liu D27/162
D943,811 S * 2/2022 Liu D27/162
D947,447 S * 3/2022 Liu D27/162

(21) Appl. No.: **29/743,130**
(22) Filed: **Jul. 19, 2020**
(30) **Foreign Application Priority Data**
Jan. 19, 2020 (CN) 202030036604.8
(51) **LOC (13) Cl.** **27-02**
(52) **U.S. Cl.**
USPC **D27/162**
(58) **Field of Classification Search**
USPC D27/100, 103, 162-165, 167, 169, 172,
D27/180, 183, 194; D23/360, 366;
D9/516, 522, 523, 545, 549, 551
CPC A24F 1/30; A24F 1/02; A24F 1/00; A24F
47/008; A24F 47/002; A61M 11/00
See application file for complete search history.

OTHER PUBLICATIONS

VAPE By: Decal Vinyl found on Amazon Aug. 12, 2021 https://www.amazon.com/Decal-Vinyl-G-Priv-stickers-skins/dp/B06XT63CXF/ref=pd_sbs_2/131-2274514-7147054?pd_rd_w=304hn&pf_rd_p= Jan. 31, 2019.*

* cited by examiner

Primary Examiner — Rebecca Tsehaye
(74) *Attorney, Agent, or Firm* — Matthias Scholl P.C.; Matthias Scholl

(57) **CLAIM**

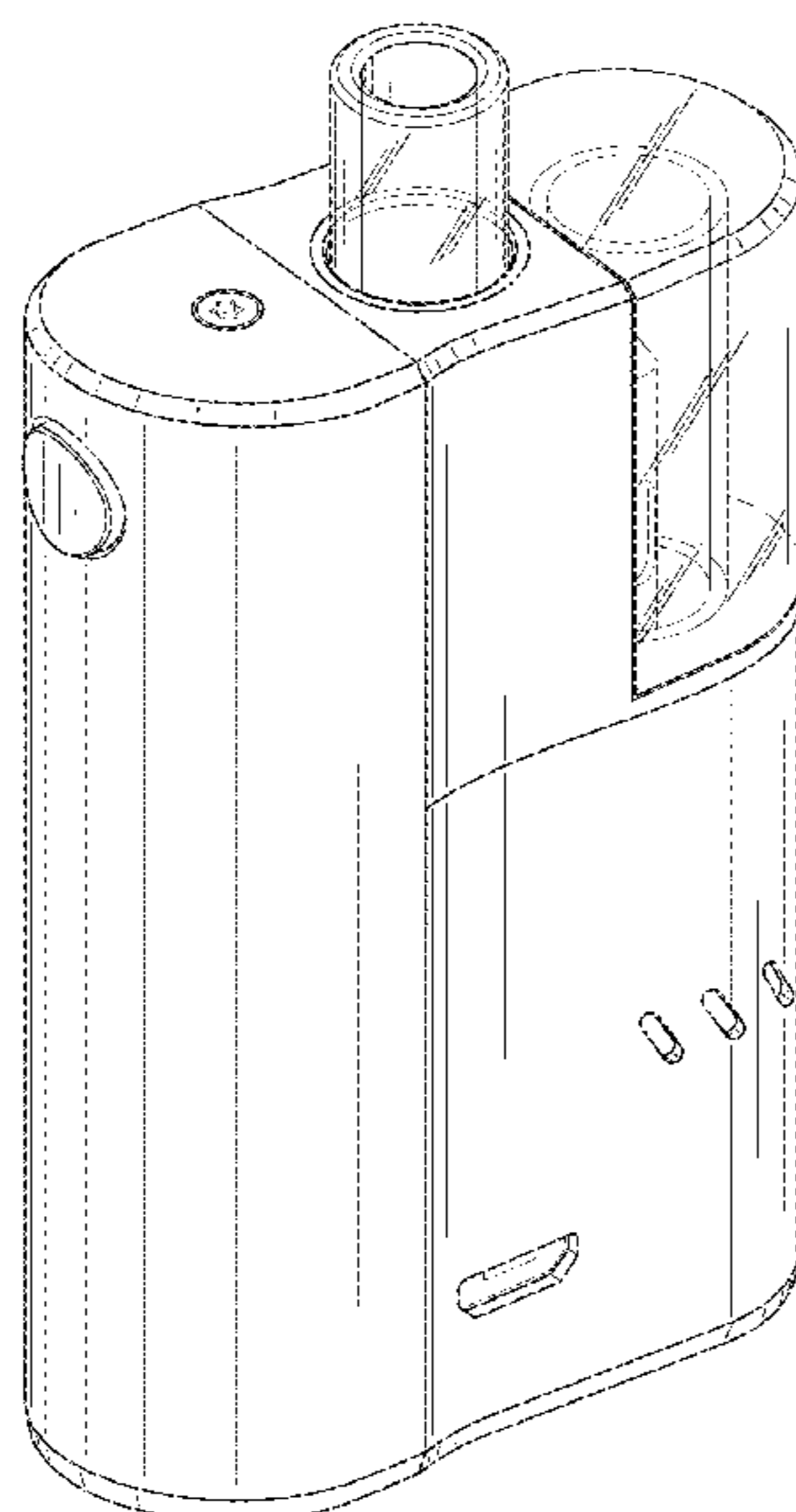
The ornamental design for an electronic cigarette, as shown and described.

DESCRIPTION

FIG. 1 is a front elevation view of an electronic cigarette; FIG. 2 is a rear elevation view thereof; FIG. 3 is a left-side elevation view thereof; FIG. 4 is a right-side elevation view thereof; FIG. 5 is a top plan view thereof; FIG. 6 is a bottom plan view thereof; and, FIG. 7 is a perspective view thereof. The broken lines in the drawings depict portions of the electronic cigarette that form no part of the claimed design.

1 Claim, 7 Drawing Sheets

(56) **References Cited**
U.S. PATENT DOCUMENTS
D753,336 S * 4/2016 Chen D27/101
D771,867 S * 11/2016 Leidel D27/163
D773,114 S * 11/2016 Leidel D27/163
D775,762 S * 1/2017 Chen D27/101
D799,111 S * 10/2017 Qiu D27/101
D799,746 S * 10/2017 Leidel D27/163
D800,377 S * 10/2017 Liu D27/101
D802,834 S * 11/2017 Mathias D27/163
D819,880 S * 6/2018 Qiu D27/101



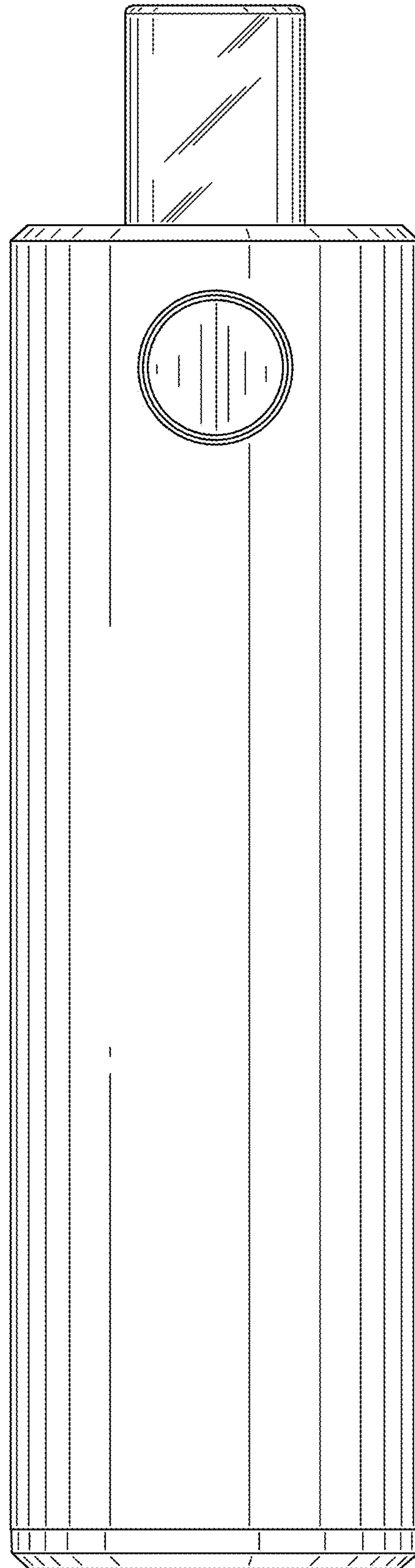


FIG. 1

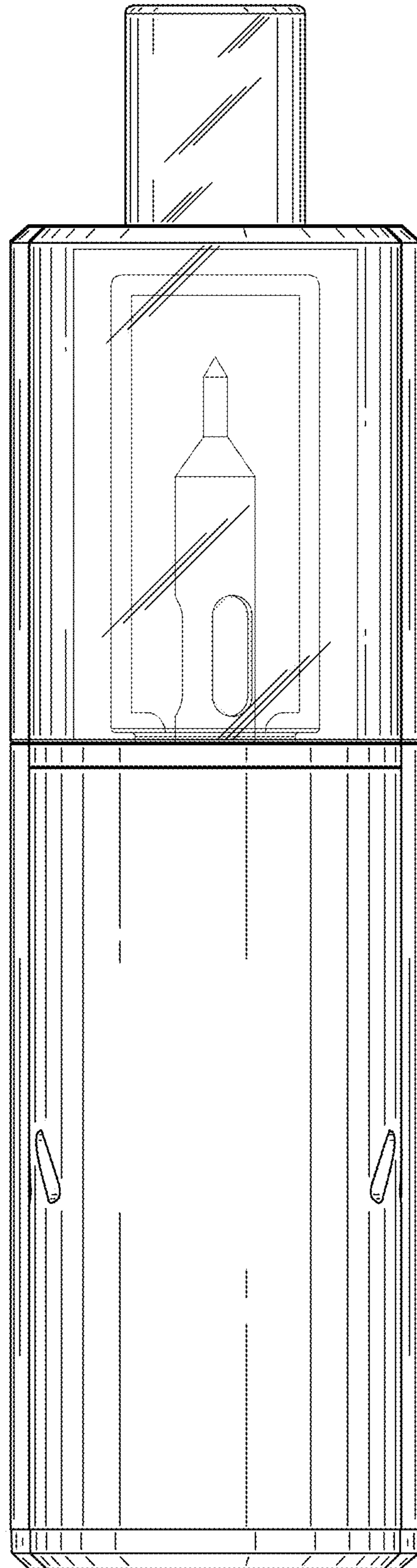


FIG. 2

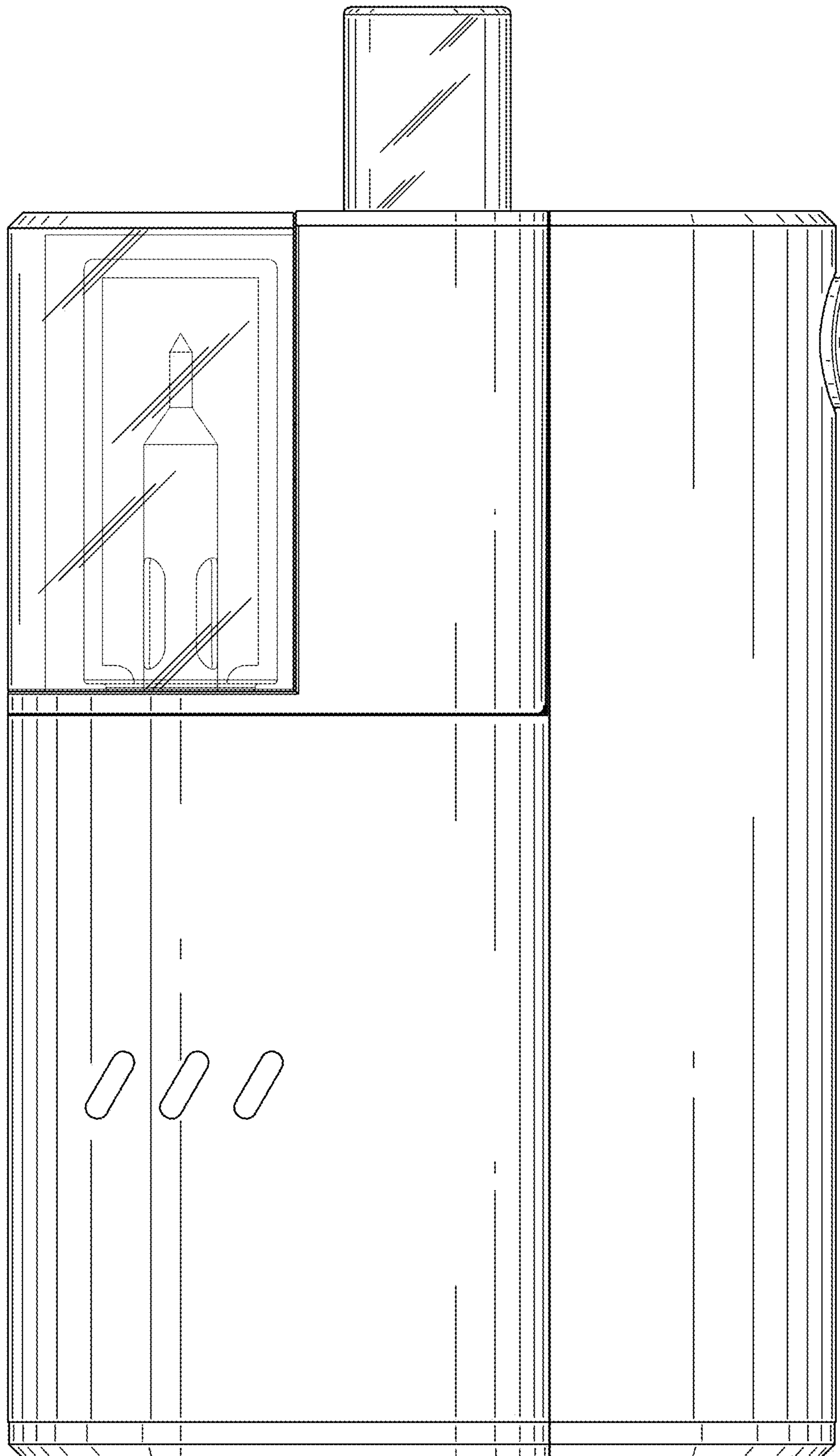


FIG. 3

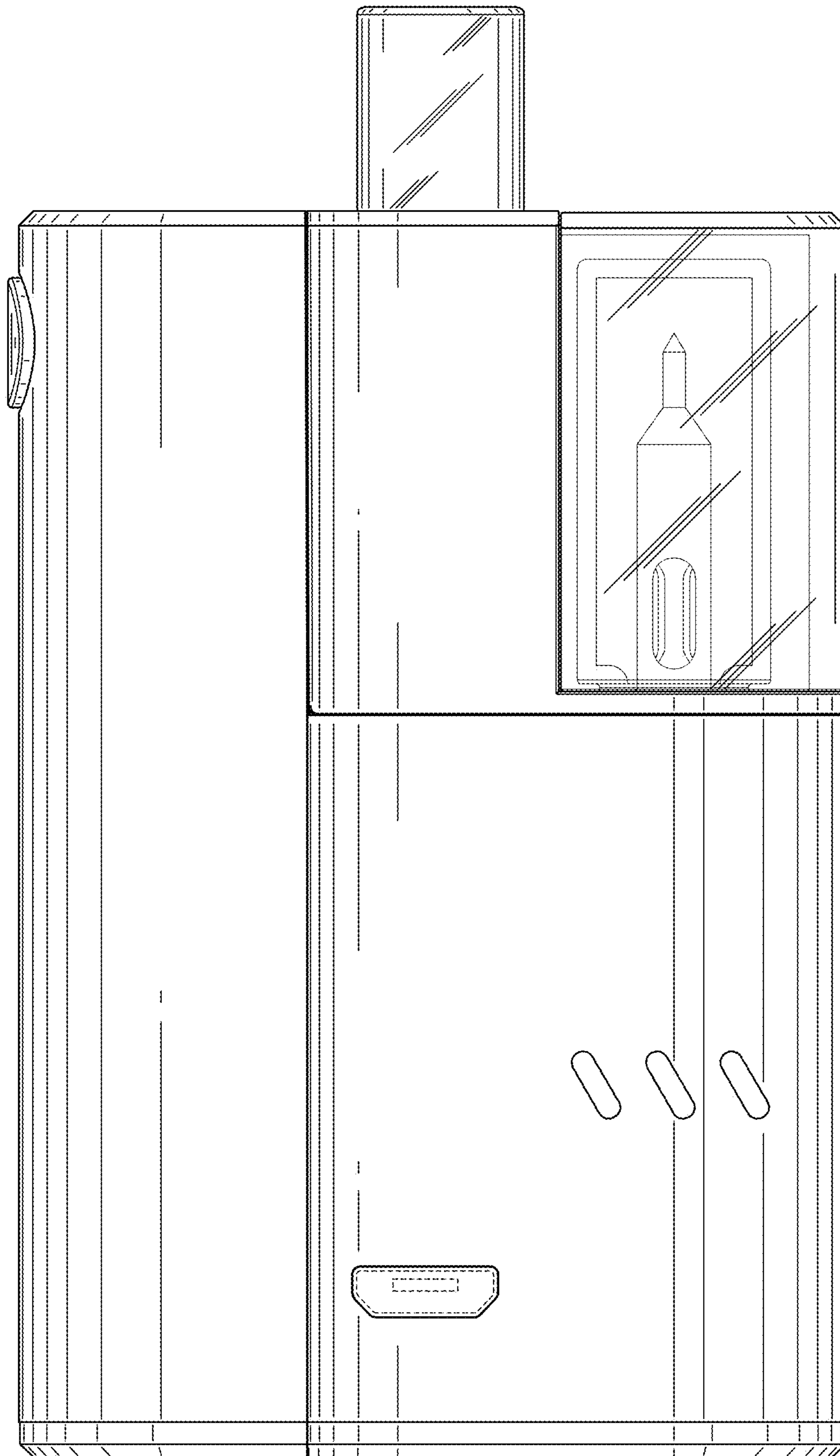


FIG. 4

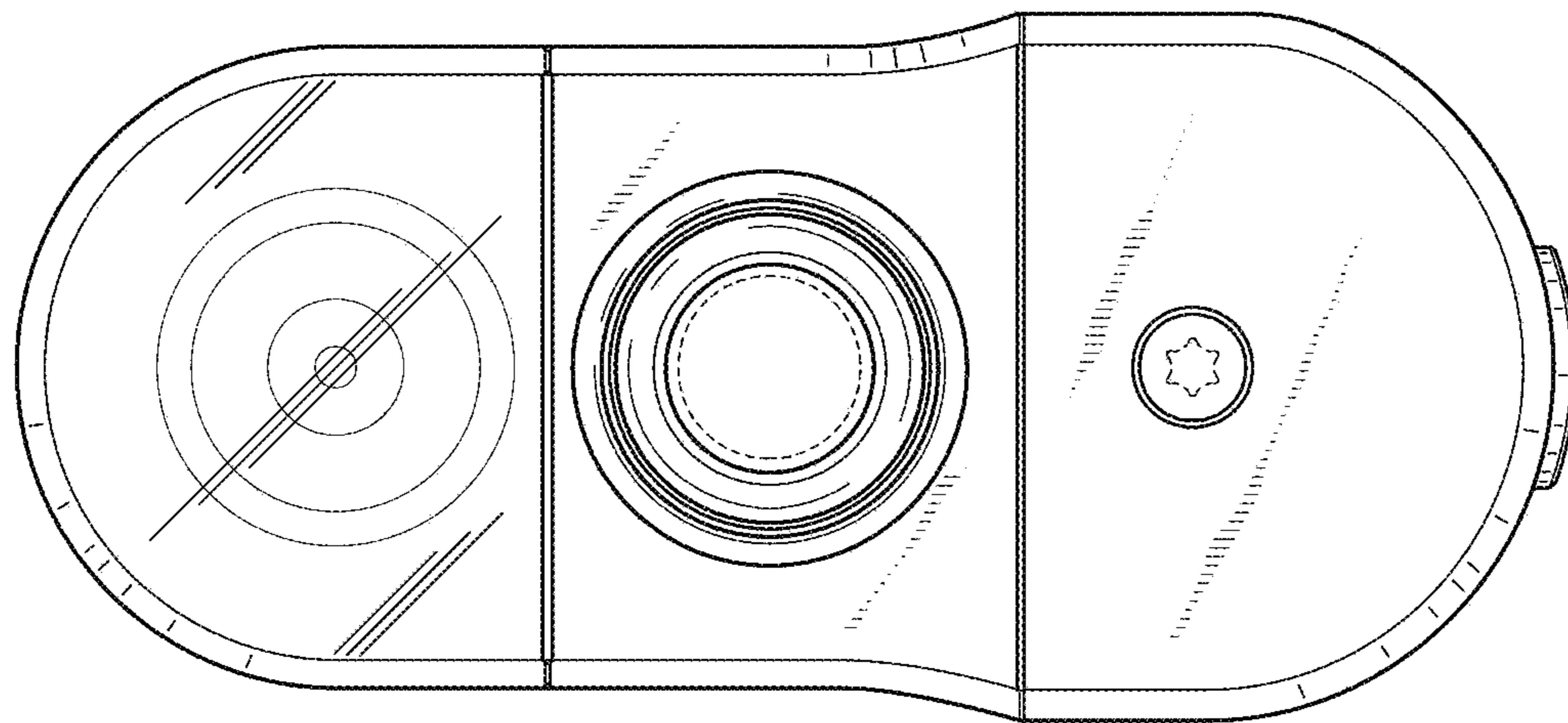


FIG. 5

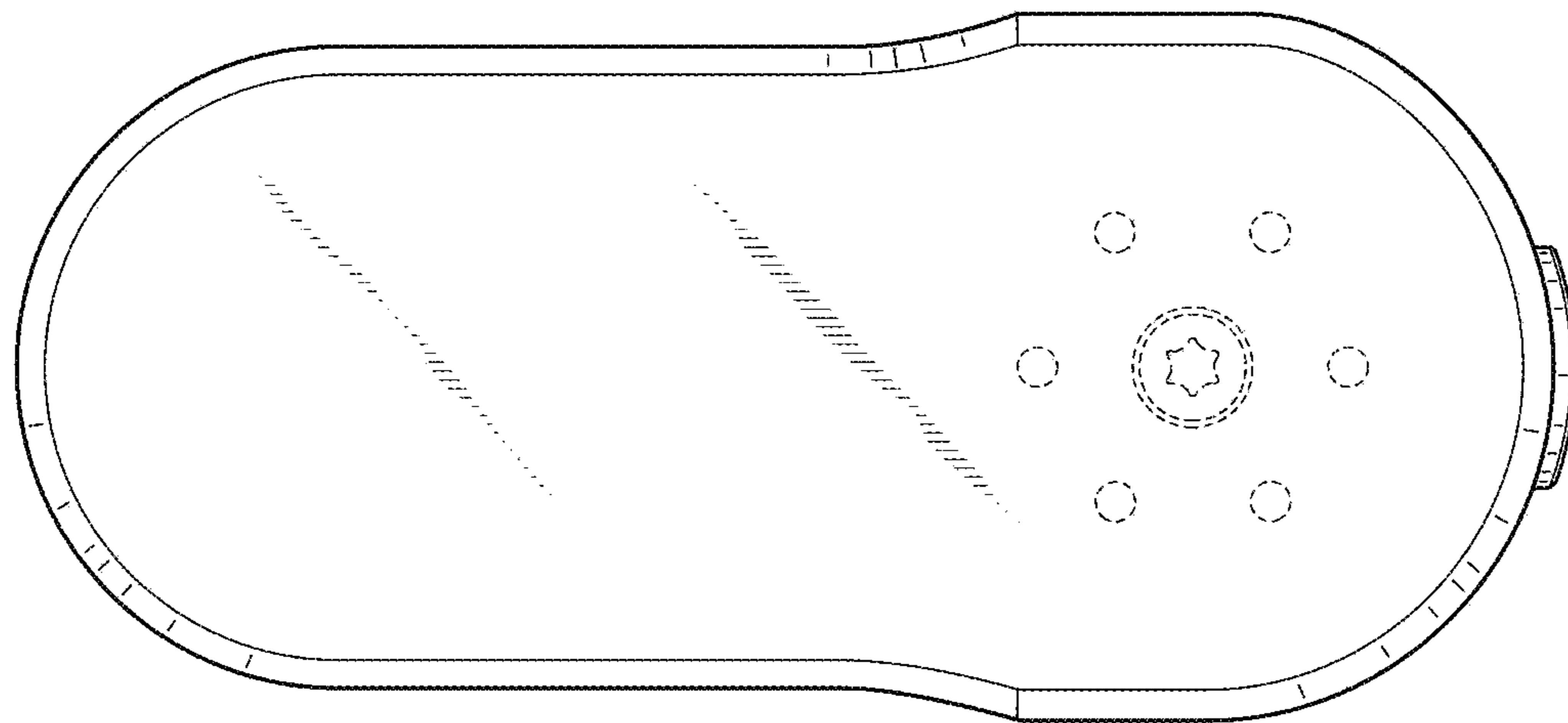


FIG. 6

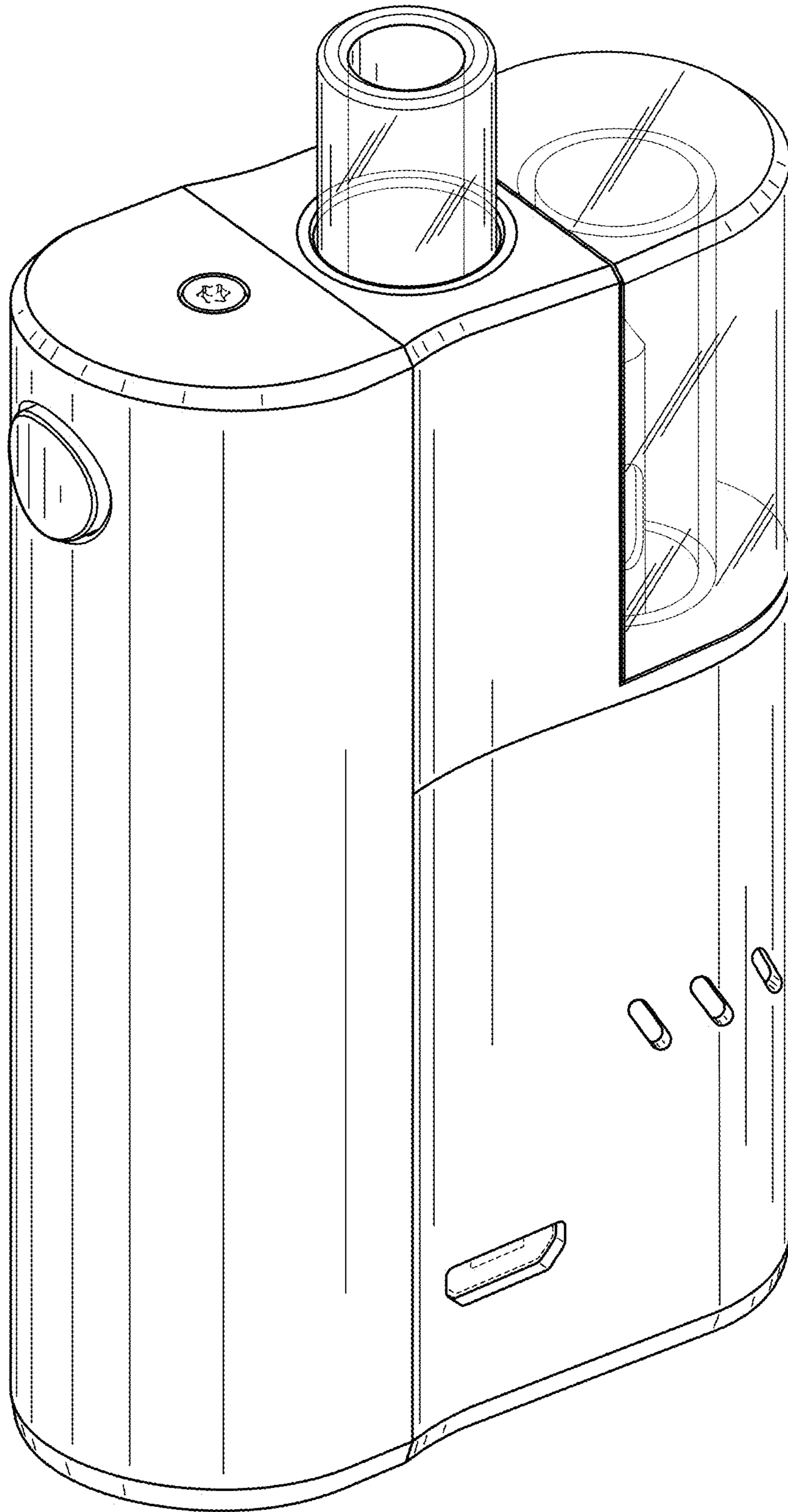


FIG. 7